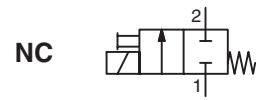




# SOLENOID VALVES

direct operated  
pad mounting body  
M5 subbases



2/2  
Series  
108

## FEATURES

- Compact size and light weight simplify assembly on single or joinable subbases
- AC/DC interchangeability of the solenoid without disassembly of the valve
- Flexible installation on joinable subbases
- Manual operator allows an easy installation
- The solenoid valves satisfy all relevant EU directives

## GENERAL

**Differential pressure** See «SPECIFICATIONS» [1 bar = 100 kPa]  
**Maximum viscosity** 40 cSt (mm<sup>2</sup>/s)  
**Response time** 5 - 10 ms

fluids (*)	temperature range (TS)	seal materials (*)
air, inert gas, water, oil	-10°C to +80°C	NBR (nitrile) FPM (fluoroelastomer)

## MATERIALS IN CONTACT WITH FLUID

(\*) Ensure that the compatibility of the fluids in contact with the materials is verified

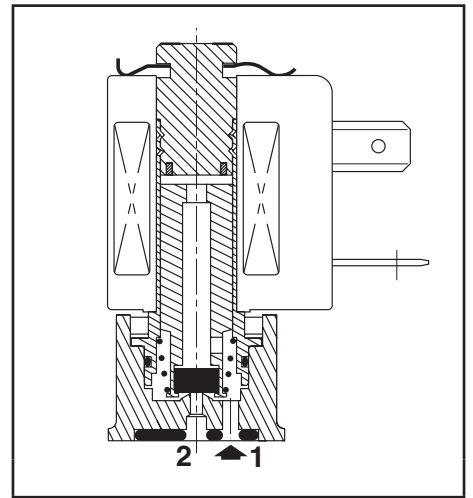
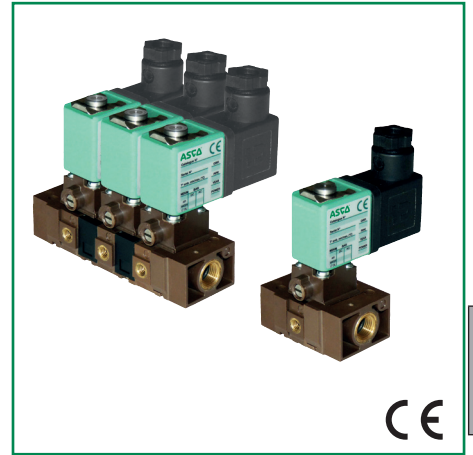
**Body and subbases** PPS  
**Core tube** Brass  
**Internal parts, springs** Stainless steel  
**Seals** NBR or FPM  
**Subbase seals** FPM  
**Shading coil** Copper

## ELECTRICAL CHARACTERISTICS

**Coil insulation class** F  
**Connector** Spade plug (cable Ø 6-8 mm)  
**Connector specification** DIN 43650, 11 mm, industry standard B  
**Electrical safety** IEC 335  
**Electrical enclosure protection** Moulded IP65 (EN 60529)  
**Standard voltages** DC (=) : 24V - 48V  
 (Other voltages and 60 Hz on request) AC (~) : 24V - 48V - 115V - 230V / 50 Hz

power ratings				operator ambient temperature range (TS)	replacement coil		type <sup>(1)</sup>
inrush ~	holding ~	hot/cold =	~		=		
(VA)	(VA)	(W)	(W)	(C°)	230 V/50 Hz	24 V DC	
6	3,5	2,5	2,5 / 3	-10 to +60	400127-097	400904-142	01

<sup>(1)</sup> Refer to the dimensional drawings on the following page.



## SPECIFICATIONS

pipe size	orifice size	flow coefficient Kv		operating pressure differential (bar)				power coil (W)		catalogue number		
				min.	max. (PS)		NBR			FPM		
					air (*)	water/oil (*)					with maintained manual operator	
(mm)	(m <sup>3</sup> /h)	(l/min)	~	=	~	=	~	=	~/=	~/=		
<b>NC - Normally closed</b>												
pad mounting	1	0,02	0,4	0	16	16	16	16	2,5	3	10800001	10800004
	1,5	0,04	0,7	0	12	4	12	4	2,5	3	10800016	10800019
	2,5	0,06	1	0	4,5	2	4,5	2	2,5	3	10800003	10800006

## SUBBASES <sup>(2)</sup>

pipe size	mounting type	designation	composition	catalogue number
<b>6/6 polyamide subbases</b>				
M5 subbases G 1/8 ends	Individual mounting	Single subbase + two ends. Pressure to right, G 1/8	M5 G 1/8	36100009
	Assembly of 2 to 10 joinable subbases <sup>(4)</sup>	1 joinable subbase	G 1/8	36100004
		Set of 2 joinable subbases with ends. Pressure to right, G 1/8	G 1/8 M5 G 1/8 M5	36100005
		Set of 2 joinable subbases with ends. Pressure to right and/or left, G 1/8	G 1/8 M5 G 1/8 M5	36100032 <sup>(3)</sup>

<sup>(2)</sup> These subbases can be mounted on symmetrical rail to EN 50022, AFNOR NF C 63015, using 2 clips (clips: catalogue number 33400036, pack of 10).

<sup>(3)</sup> Used for two different pressures, delivered with 1 plug to be put in the right place.

<sup>(4)</sup> Maximum number of solenoid valves which can operate simultaneously on joinable subbases: Ø 1 mm: 10, Ø 1,5 mm: 5, Ø 2,5 mm: 3.

