

Single snap-on couplings, series CP1



AVENTICS™ Single snap-on couplings, series CP1



Lock coupling, Series CP1

- External thread

- NW 2.7 mm



Working pressure min./max.

0 ... 16 bar

Ambient temperature min./max.

-10 ... 90 °C

Medium temperature min./max.

-10 ... 90 °C

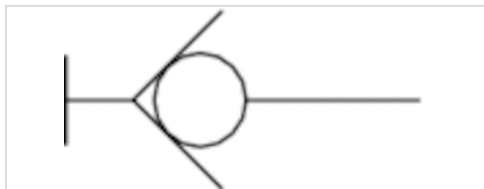
Medium

Compressed air

Weight per piece

0.008 kg

The delivered product may vary from that in the illustration.



Technical data

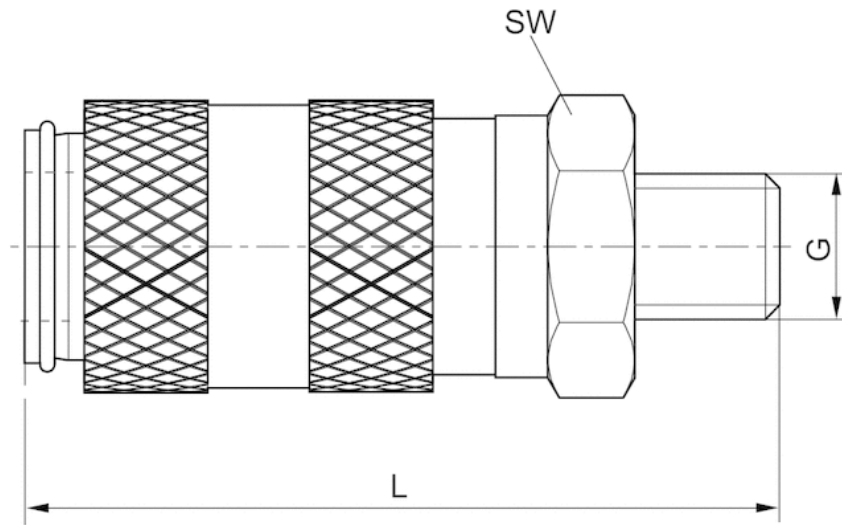
Part No.	Nominal width NW	Port G	Port D	Flow	Housing	Delivery unit
				Qn		
1823376006	2.7 mm	M5	NW 2,7	210 l/min	Brass nickel-plated	2 piece

Technical information

Material	
Housing	Brass, nickel-plated
Release bushing	Brass, nickel-plated
Seal	Acrylonitrile butadiene rubber
Port	Brass, nickel-plated

Dimensions

Dimensions



Dimensions

Part No.	Port G	Nominal width NW	L	SW
1823376006	M5	2.7 mm	26	9

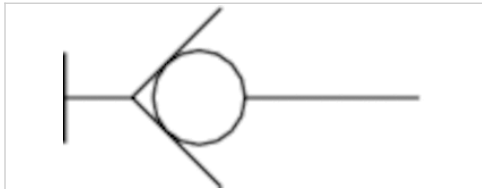
Lock coupling, Series CP1

- Internal thread
- NW 2.7 mm



Working pressure min./max.	0 ... 16 bar
Ambient temperature min./max.	-10 ... 90 °C
Medium temperature min./max.	-10 ... 90 °C
Medium	Compressed air
Weight per piece	0.009 kg

The delivered product may vary from that in the illustration.



Technical data

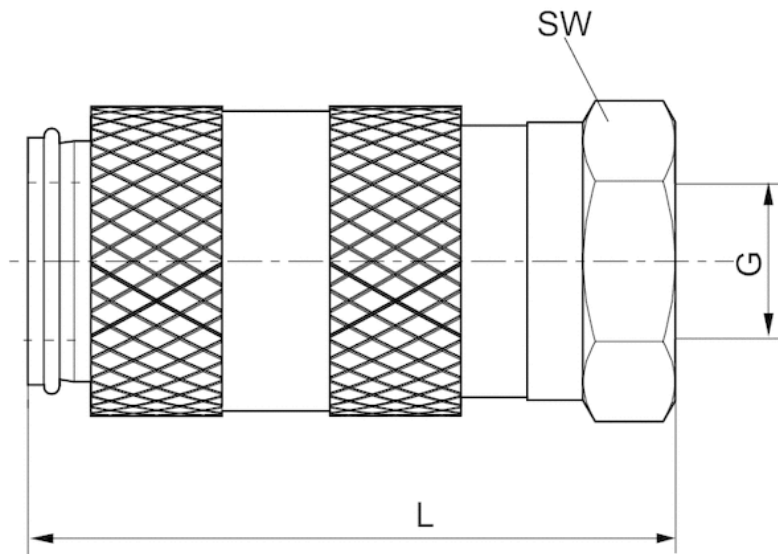
Part No.	Nominal width NW	Port G	Port D	Flow	Housing	Delivery unit
				Qn		
R412010202	2.7 mm	M5	NW 5	210 l/min	Brass nickel-plated	2 piece

Technical information

Material	
Housing	Brass, nickel-plated
Release bushing	Brass, nickel-plated
Seal	Acrylonitrile butadiene rubber
Port	Brass, nickel-plated

Dimensions

Dimensions



Dimensions

Part No.	Port G	Nominal width NW	L	SW
R412010202	M5	2.7 mm	25	9

Coupling plug with external thread

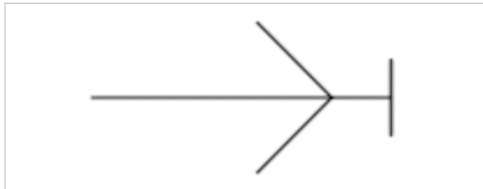
- Coupling plug
- NW 2.7 mm



Working pressure min./max.
 Ambient temperature min./max.
 Medium temperature min./max.
 Medium
 Weight per piece

0 ... 16 bar
 -10 ... 90 °C
 -10 ... 90 °C
 Compressed air
 0.02 kg

The delivered product may vary from that in the illustration.



Technical data

Part No.	Nominal width NW	Port G	Port D	Housing	Delivery unit	Fig.
R412010059	2.7 mm	M5	NW 5	Brass nickel-plated	10 piece	Fig. 1

Technical information

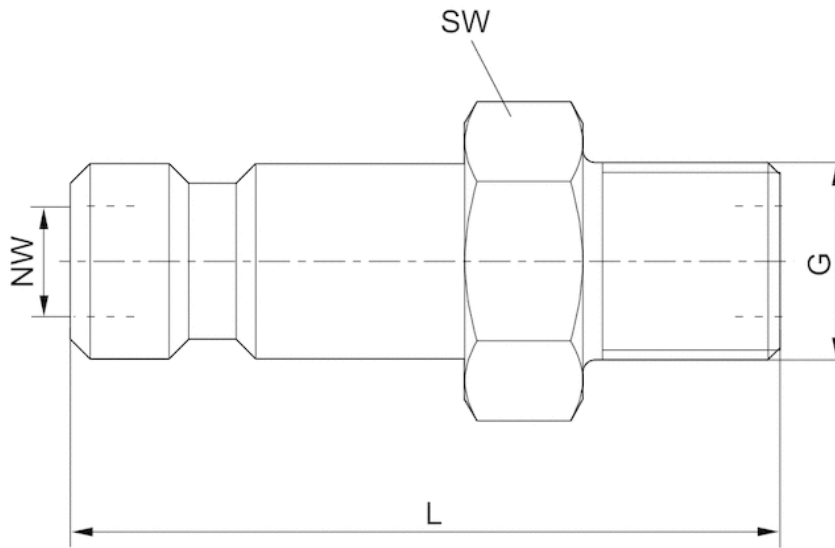
Coupling plugs are applicable for all locking and safety couplings with adequate nominal width

Technical information

Material	
Housing	Brass, nickel-plated

Dimensions

Fig. 1



Dimensions

Part No.	Port G	Nominal width NW	L	SW
R412010059	M5	2.7 mm	18	7

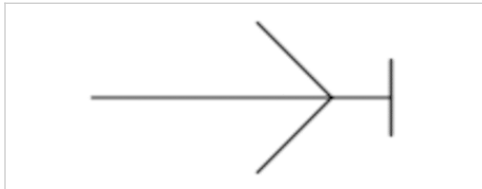
Coupling plug with internal thread

- Coupling plug
- NW 2.7 mm



Silicon
 Working pressure min./max.
 Ambient temperature min./max.
 Medium temperature min./max.
 Medium
 Weight per piece

silicone-free
 0 ... 16 bar
 -10 ... 90 °C
 -10 ... 90 °C
 Compressed air
 0.038 kg
 The delivered product may vary from that in the illustration.



Technical data

Part No.	Nominal width NW	Port G	Port D	Housing	Delivery unit	Fig.
R412010187	2.7 mm	M5	NW 2,7	Brass nickel-plated	10 piece	Fig. 1

Technical information

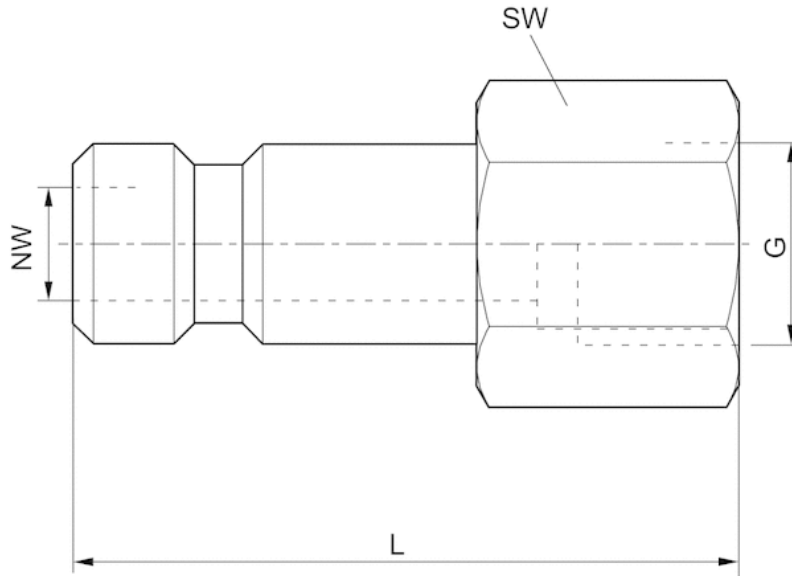
Coupling plugs are applicable for all locking and safety couplings with adequate nominal width

Technical information

Material	
Housing	Brass, nickel-plated

Dimensions

Fig. 1



Dimensions

Part No.	Port G	Nominal width NW	L	SW
R412010187	M5	2.7 mm	17	7

Coupling plug with tube nut

- Coupling plug

- NW 2.7 mm



Working pressure min./max.

0 ... 16 bar

Ambient temperature min./max.

-10 ... 90 °C

Medium temperature min./max.

-10 ... 90 °C

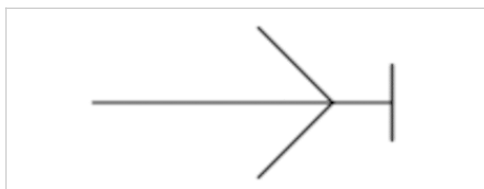
Medium

Compressed air

Weight per piece

0.036 kg

The delivered product may vary from that in the illustration.



Technical data

Part No.	Nominal width NW	Port G	Port D	Housing	Delivery unit	Fig.
1823386021	2.7 mm	Ø 5	NW 2,7	Brass nickel-plated	10 piece	Fig. 1
1823386033	2.7 mm	Ø 6	NW 2,7	Brass nickel-plated	10 piece	Fig. 1

Technical information

Coupling plugs are applicable for all locking and safety couplings with adequate nominal width

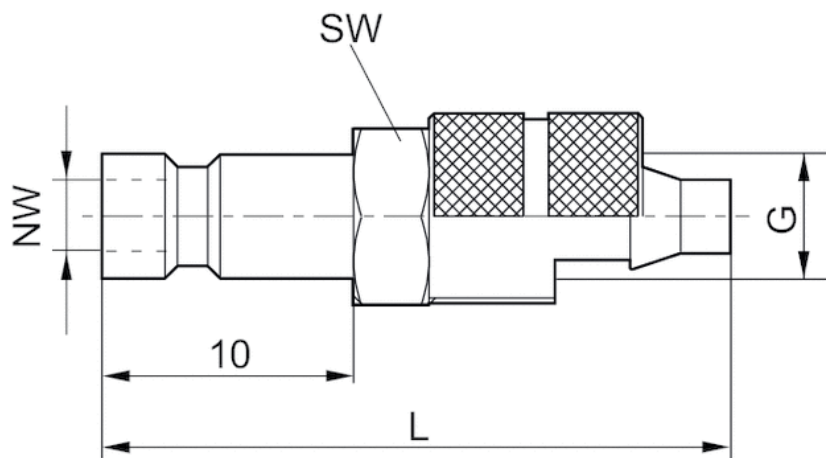
Technical information

Material

Housing	Brass, nickel-plated
---------	----------------------

Dimensions

Fig. 1



Dimensions

Part No.	Port G	Nominal width NW	L	SW
1823386021	Ø 5	2.7 mm	25	7
1823386033	Ø 6	2.7 mm	24	10

Lock coupling, Series CP1

- External thread
- NW 5 mm



Working pressure min./max.
Ambient temperature min./max.
Medium temperature min./max.
Medium
Weight per piece

0 ... 16 bar

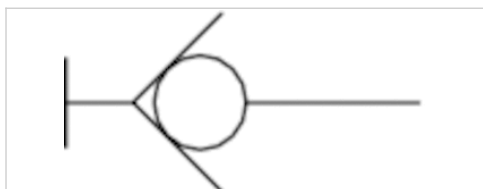
-10 ... 90 °C

-10 ... 90 °C

Compressed air

See table below

The delivered product may vary from that in the illustration.



Technical data

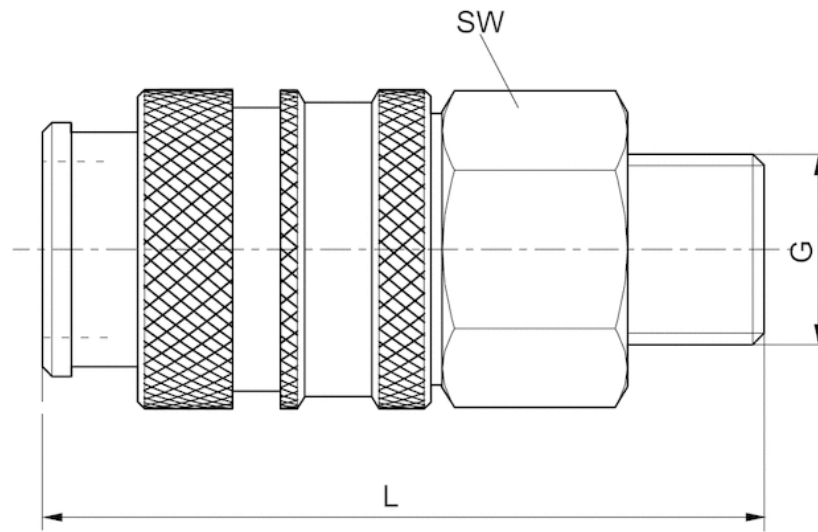
Part No.	Nominal width NW	Port G	Port D	Flow	Housing	Delivery unit	Weight
				Qn			
1823376000	5 mm	G 1/8	NW 5	500 l/min	Brass nickel-plated	2 piece	0.034 kg
R412010276	5 mm	G 1/4	-	500 l/min	Brass nickel-plated	2 piece	0.035 kg

Technical information

Material	
Housing	Brass, nickel-plated
Release bushing	Brass, nickel-plated
Seal	Acrylonitrile butadiene rubber
Port	Brass, nickel-plated

Dimensions

Dimensions



Dimensions

Part No.	Port G	Nominal width NW	L	SW
1823376000	G 1/8	5 mm	37	14
R412010276	G 1/4	5 mm	39	17

Lock coupling, Series CP1

- Internal thread
- NW 5 mm



Working pressure min./max.

Ambient temperature min./max.

Medium temperature min./max.

Medium

Weight per piece

0 ... 16 bar

-10 ... 90 °C

-10 ... 90 °C

Compressed air

See table below

The delivered product may vary from that in the illustration.



Technical data

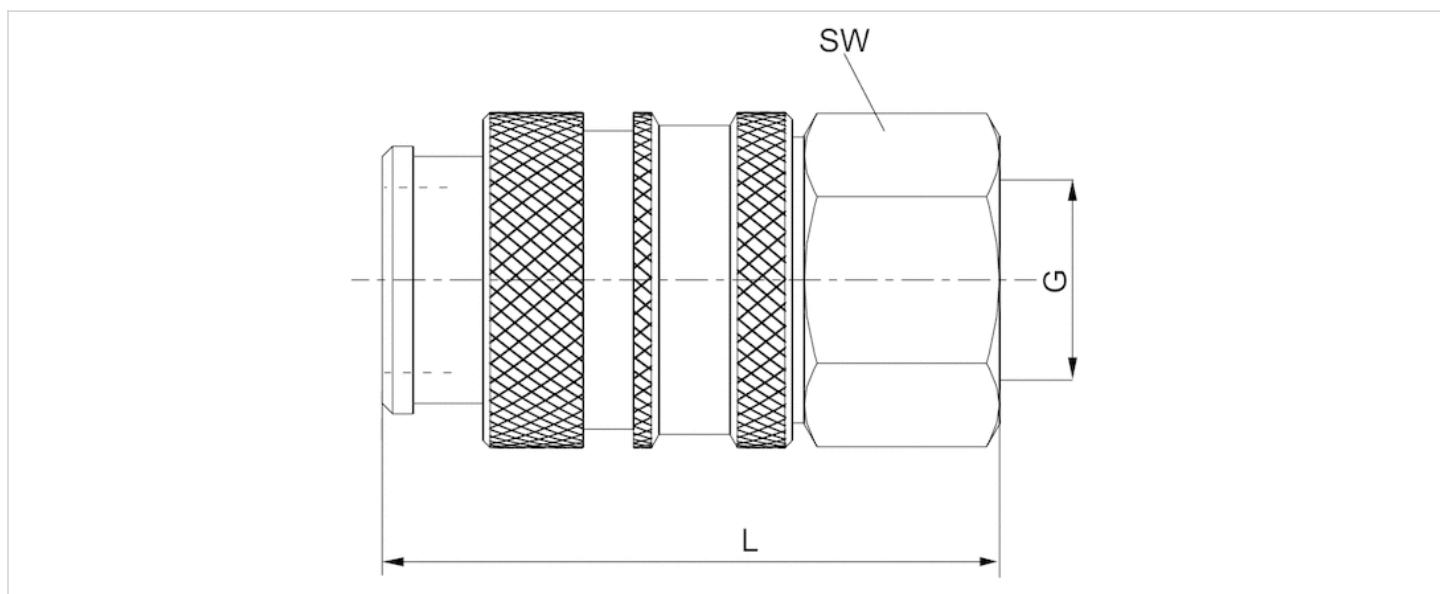
Part No.	Nominal width NW	Port G	Port D	Flow	Housing	Delivery unit	Weight
				Qn			
R412010010	5 mm	G 1/8	NW 5	500 l/min	Brass nickel-plated	2 piece	0.029 kg
1823376004	5 mm	G 1/4	NW 5	500 l/min	Brass nickel-plated	2 piece	0.031 kg

Technical information

Material	
Housing	Brass, nickel-plated
Release bushing	Brass, nickel-plated
Seal	Acrylonitrile butadiene rubber
Port	Brass, nickel-plated

Dimensions

Dimensions



Dimensions

Part No.	Port G	Nominal width NW	L	SW
R412010010	G 1/8	5 mm	36.5	14
1823376004	G 1/4	5 mm	38.5	17

Lock coupling, Series CP1

- plug-in with tube nut

- NW 5 mm



Working pressure min./max.

0 ... 16 bar

Ambient temperature min./max.

-10 ... 90 °C

Medium temperature min./max.

-10 ... 90 °C

Medium

Compressed air

Weight per piece

0.031 kg

The delivered product may vary from that in the illustration.



Technical data

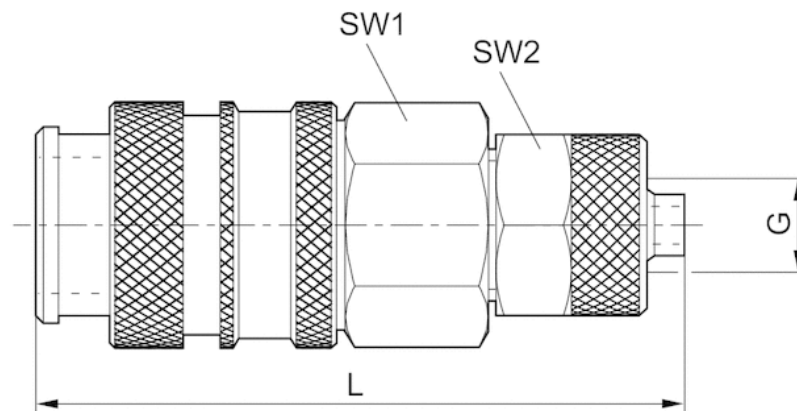
Part No.	Nominal width NW	Port G	Port D	Flow	Housing	Delivery unit
				Qn		
1823376005	5 mm	Ø 6	NW 5	500 l/min	Brass nickel-plated	2 piece

Technical information

Material	
Housing	Brass, nickel-plated
Release bushing	Brass, nickel-plated
Seal	Acrylonitrile butadiene rubber
Port	Brass, nickel-plated

Dimensions

Dimensions

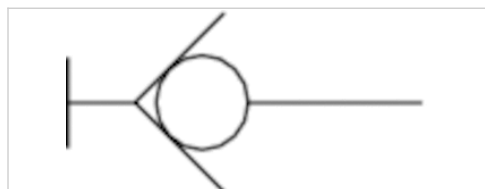


Dimensions

Part No.	Port G	L	SW 1	SW 2
1823376005	Ø 6	43	14	12

Lock coupling, Series CP1

- Collar
- NW 5 mm



Working pressure min./max.

0 ... 16 bar

Ambient temperature min./max.

-10 ... 90 °C

Medium temperature min./max.

-10 ... 90 °C

Medium

Compressed air

Weight per piece

See table below

The delivered product may vary from that in the illustration.

Technical data

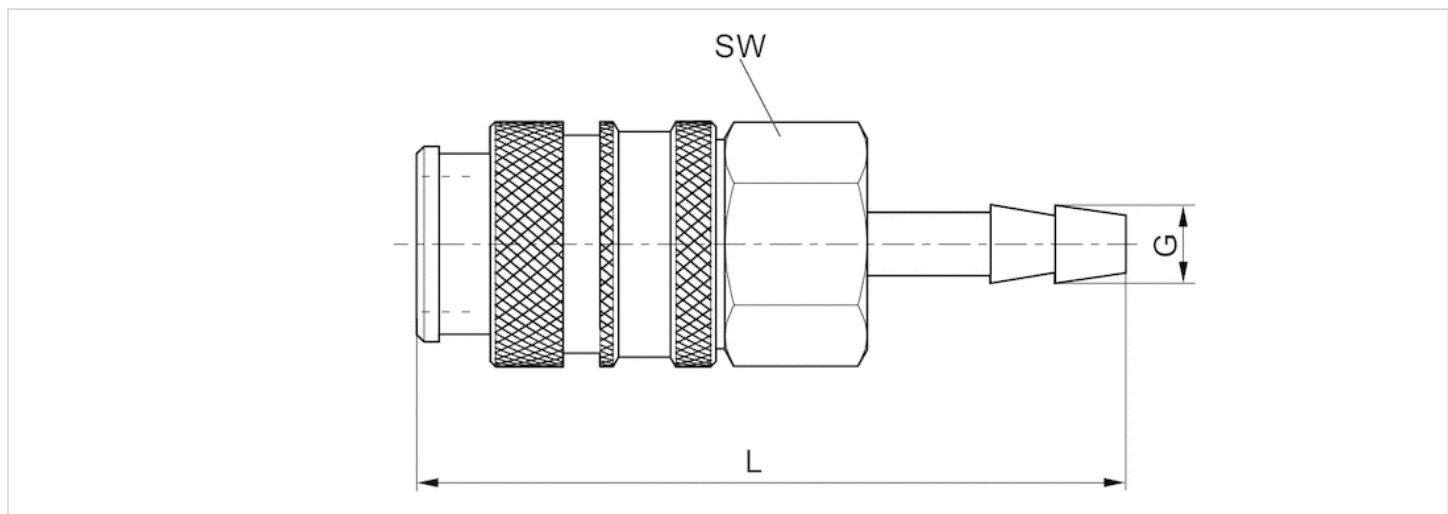
Part No.	Nominal width NW	Port G	Port D	Flow	Housing	Delivery unit	Weight
				Qn			
R412010670	5 mm	Ø 4	NW 5	500 l/min	Brass nickel-plated	1 piece	0.026 kg
R412010671	5 mm	Ø 6	NW 5	500 l/min	Brass nickel-plated	1 piece	0.028 kg

Technical information

Material	
Housing	Brass, nickel-plated
Release bushing	Brass, nickel-plated
Seal	Acrylonitrile butadiene rubber
Port	Brass, nickel-plated

Dimensions

Dimensions



Dimensions

Part No.	Port G	Nominal width NW	L	SW
R412010670	Ø 4	5 mm	47	14
R412010671	Ø 6	5 mm	47	14

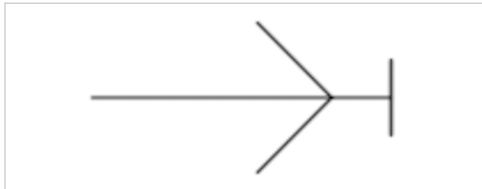
Coupling plug with external thread

- Coupling plug
- NW 5 mm



Working pressure min./max.	0 ... 16 bar
Ambient temperature min./max.	-10 ... 90 °C
Medium temperature min./max.	-10 ... 90 °C
Medium	Compressed air
Weight per piece	See table below

The delivered product may vary from that in the illustration.



Technical data

Part No.	Nominal width NW	Port G	Port D	Housing	Delivery unit	Weight	Fig.
1823351015	5 mm	G 1/8	NW 5	Brass nickel-plated	10 piece	0.012 kg	Fig. 2
R414000119	5 mm	G 1/4	NW 5	Brass nickel-plated	10 piece	0.02 kg	Fig. 2

Technical information

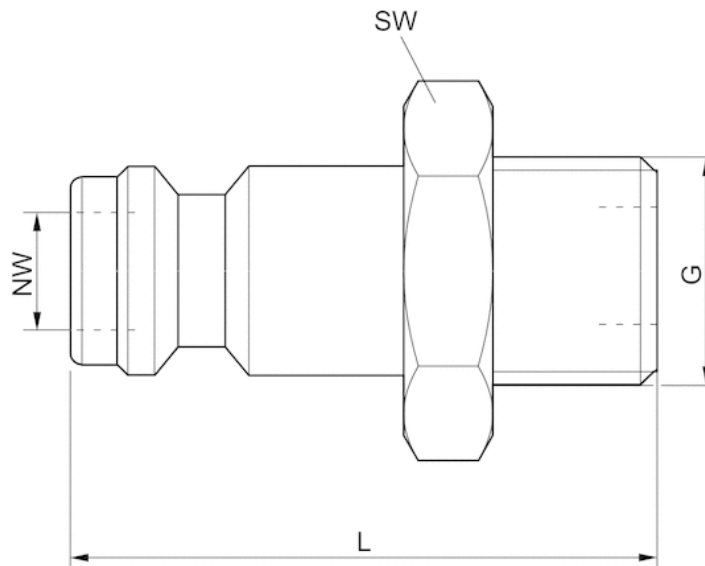
Coupling plugs are applicable for all locking and safety couplings with adequate nominal width

Technical information

Material	
Housing	Brass, nickel-plated

Dimensions

Dimensions



Dimensions

Part No.	Port G	Nominal width NW	L	SW
1823351015	G 1/8	5 mm	28	14
R414000119	G 1/4	5 mm	28	17

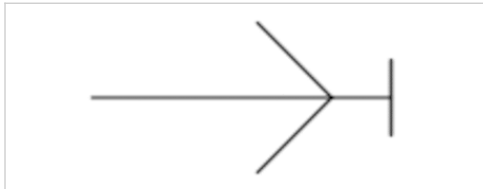
Coupling plug with internal thread

- Coupling plug
- NW 5 mm



Silicon
 Working pressure min./max.
 Ambient temperature min./max.
 Medium temperature min./max.
 Medium
 Weight per piece

silicone-free
 0 ... 16 bar
 -10 ... 90 °C
 -10 ... 90 °C
 Compressed air
 0.014 kg
 The delivered product may vary from that in the illustration.



Technical data

Part No.	Nominal width NW	Port G	Port D	Housing	Delivery unit
1823373000	5 mm	G 1/8	NW 5	Brass nickel-plated	10 piece

Technical information

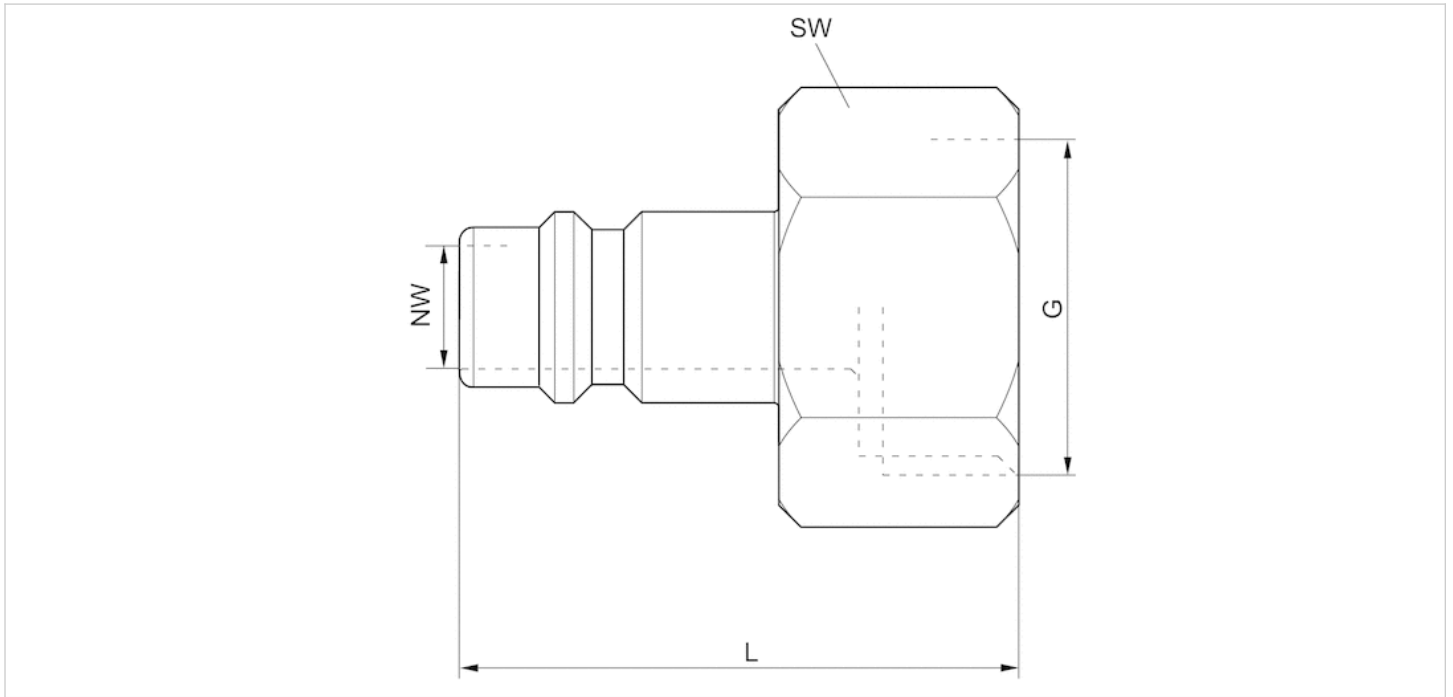
Coupling plugs are applicable for all locking and safety couplings with adequate nominal width

Technical information

Material	
Housing	Brass, nickel-plated

Dimensions

Dimensions



Coupling plug with collar

- Coupling plug
- NW 5 mm



Working pressure min./max.
 Ambient temperature min./max.
 Medium temperature min./max.
 Medium
 Weight per piece

0 ... 16 bar

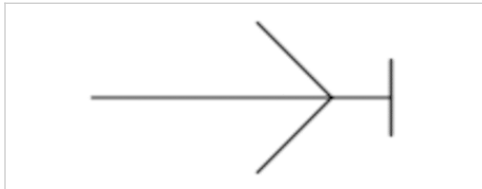
-10 ... 90 °C

-10 ... 90 °C

Compressed air

See table below

The delivered product may vary from that in the illustration.



Technical data

Part No.	Nominal width NW	Port G	Port D	Housing	Delivery unit	Weight	Fig.
R412010672	5 mm	Ø 4	NW 5	Brass nickel-plated	1 piece	0.007 kg	Fig. 1
1823386034	5 mm	Ø 6	NW 5	Brass nickel-plated	10 piece	0.006 kg	Fig. 1

Technical information

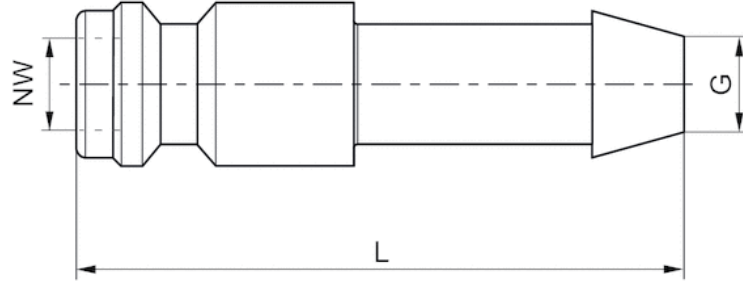
Coupling plugs are applicable for all locking and safety couplings with adequate nominal width

Technical information

Material	
Housing	Brass, nickel-plated

Dimensions

Fig. 1



Dimensions

Part No.	Port G	Nominal width NW	L
R412010672	Ø 4	5 mm	33
1823386034	Ø 6	5 mm	33

Coupling plug with tube nut

- Coupling plug
- NW 5 mm



Working pressure min./max.
 Ambient temperature min./max.
 Medium temperature min./max.
 Medium
 Weight per piece

0 ... 16 bar

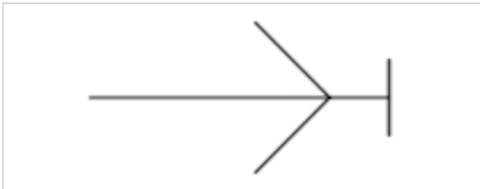
-10 ... 90 °C

-10 ... 90 °C

Compressed air

See table below

The delivered product may vary from that in the illustration.



Technical data

Part No.	Nominal width NW	Port G	Port D	Housing	Delivery unit	Weight	Fig.
1823386015	5 mm	Ø 6	NW 5	Brass nickel-plated	10 piece	0.018 kg	Fig. 2
1823386066	5 mm	Ø 8	NW 5	Brass nickel-plated	10 piece	0.02 kg	Fig. 2

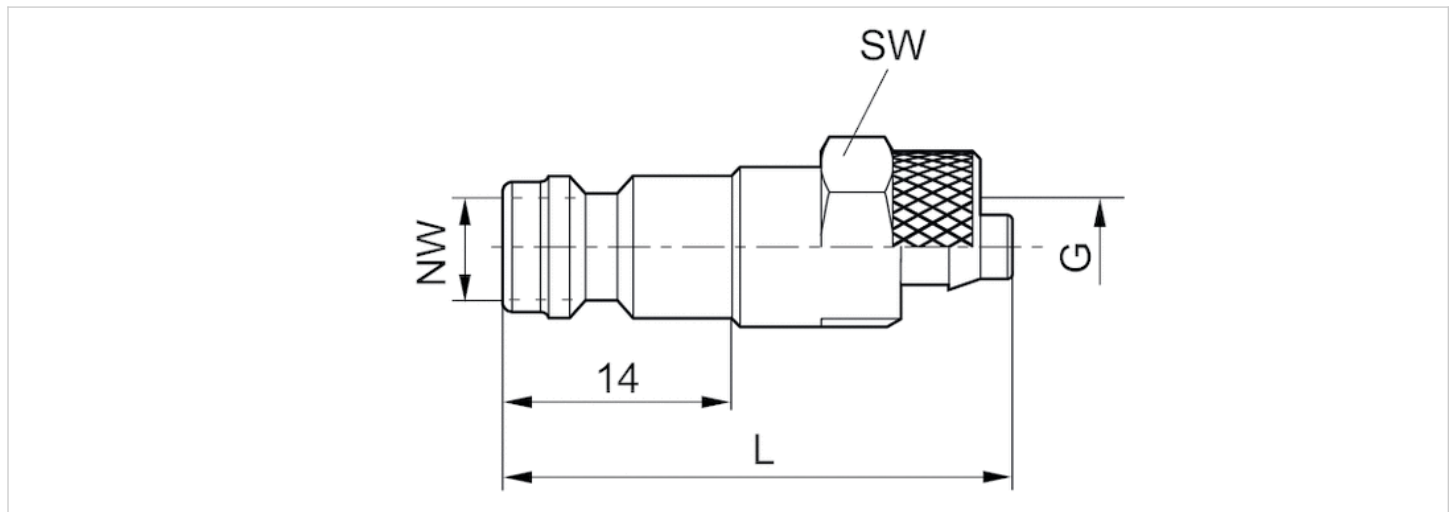
Technical information

Coupling plugs are applicable for all locking and safety couplings with adequate nominal width

Technical information

Material	
Housing	Brass, nickel-plated

Dimensions



Dimensions

Part No.	Port G	Nominal width NW	L	SW
1823386015	Ø 6	5 mm	33	12
1823386066	Ø 8	5 mm	33	14

Lock coupling, Series CP1

- External thread

- NW 7.2 mm



Working pressure min./max.

Ambient temperature min./max.

Medium temperature min./max.

Medium

Weight per piece

0 ... 16 bar

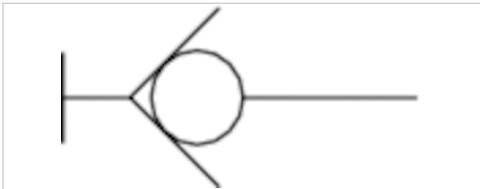
-10 ... 90 °C

-10 ... 90 °C

Compressed air

See table below

The delivered product may vary from that in the illustration.



Technical data

Part No.	Nominal width NW	Port G	Port D	Flow	Housing	Delivery unit	Weight
				Qn			
1823376001	7.2 mm	G 1/4	NW 7,2	1500 l/min	Brass nickel-plated	2 piece	0.068 kg
1823376002	7.2 mm	G 3/8	NW 7,2	1500 l/min	Brass nickel-plated	2 piece	0.07 kg
1823376014	7.2 mm	G 1/2	NW 7,2	1500 l/min	Brass nickel-plated	2 piece	0.077 kg

Technical information

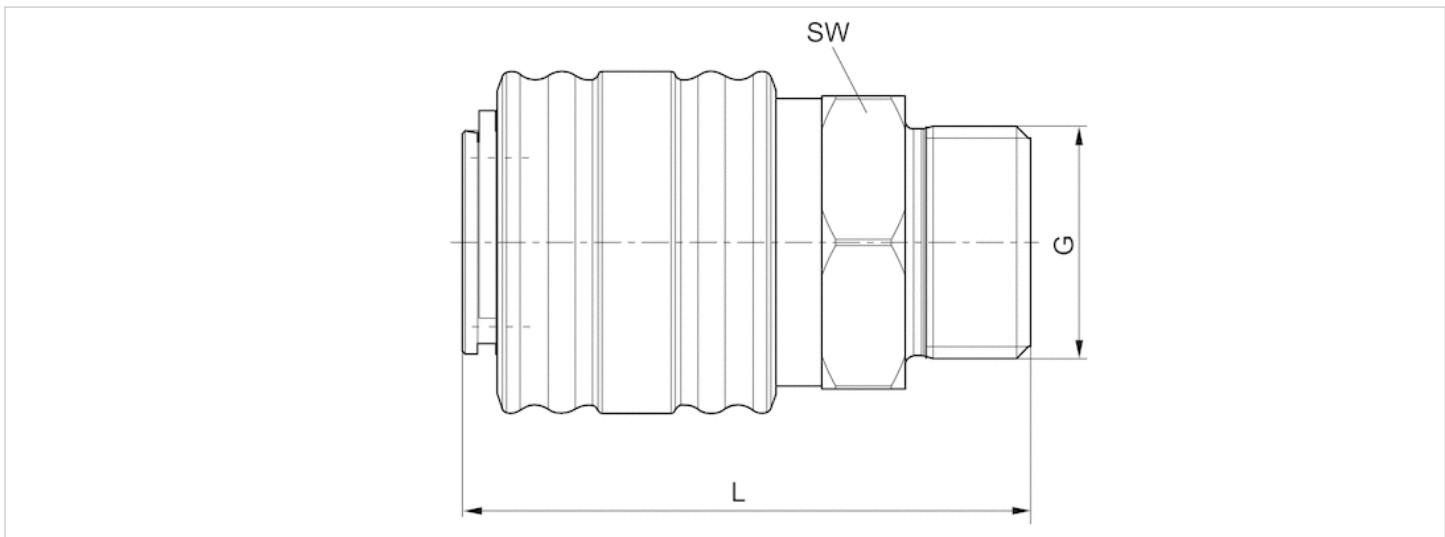
Coupling plugs with NW 7.2 (brass) as well as NW 7.8 (steel) fit couplings with NW 7.2.

Technical information

Material	
Housing	Brass, nickel-plated
Release bushing	Brass, nickel-plated
Seal	Acrylonitrile butadiene rubber
Port	Brass, nickel-plated

Dimensions

Dimensions



Dimensions

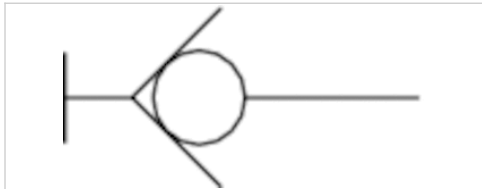
Part No.	Port G	Nominal width NW	L	SW
1823376001	G 1/4	7.2 mm	41	21
1823376002	G 3/8	7.2 mm	41	21
1823376014	G 1/2	7.2 mm	41	21

Lock coupling, Series CP1

- Internal thread
- NW 7.2 mm



Working pressure min./max.	0 ... 16 bar
Ambient temperature min./max.	-10 ... 90 °C
Medium temperature min./max.	-10 ... 90 °C
Medium	Compressed air
Weight per piece	0.081 kg
	The delivered product may vary from that in the illustration.



Technical data

Part No.	Nominal width NW	Port G	Port D	Flow	Housing	Delivery unit
				Qn		
1823376013	7.2 mm	G 1/4	NW 7,2	1500 l/min	Brass nickel-plated	2 piece

Technical information

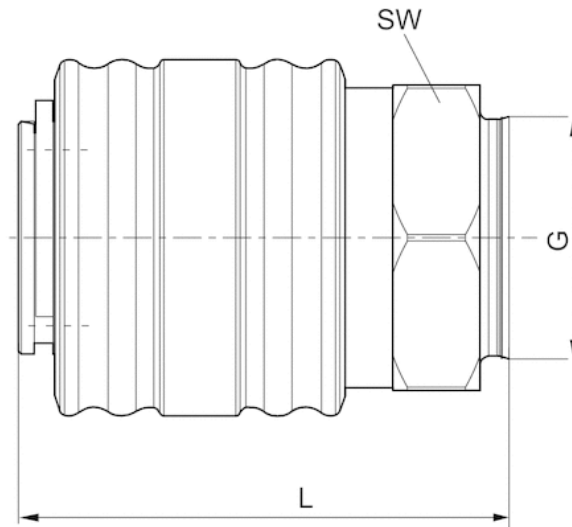
Coupling plugs with NW 7.2 (brass) as well as NW 7.8 (steel) fit couplings with NW 7.2.

Technical information

Material	
Housing	Brass, nickel-plated
Release bushing	Brass, nickel-plated
Seal	Acrylonitrile butadiene rubber
Port	Brass, nickel-plated

Dimensions

Dimensions

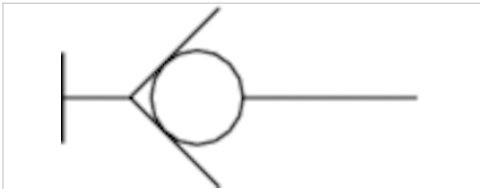


Dimensions

Part No.	Port G	Nominal width NW	L	SW
1823376013	G 1/4	7.2 mm	41	21

Lock coupling, Series CP1

- Collar
- NW 7.2 mm



Working pressure min./max.

0 ... 16 bar

Ambient temperature min./max.

-10 ... 90 °C

Medium temperature min./max.

-10 ... 90 °C

Medium

Compressed air

Weight per piece

See table below

The delivered product may vary from that in the illustration.

Technical data

Part No.	Nominal width NW	Port G	Port D	Flow	Housing	Delivery unit	Weight
				Qn			
1823376009	7.2 mm	Ø 6	NW 7,2	1500 l/min	Brass nickel-plated	2 piece	0.068 kg
1823376010	7.2 mm	Ø 8	NW 7,2	1500 l/min	Brass nickel-plated	2 piece	0.07 kg
1823376012	7.2 mm	Ø 10	NW 7,2	1500 l/min	Brass nickel-plated	2 piece	0.073 kg

Technical information

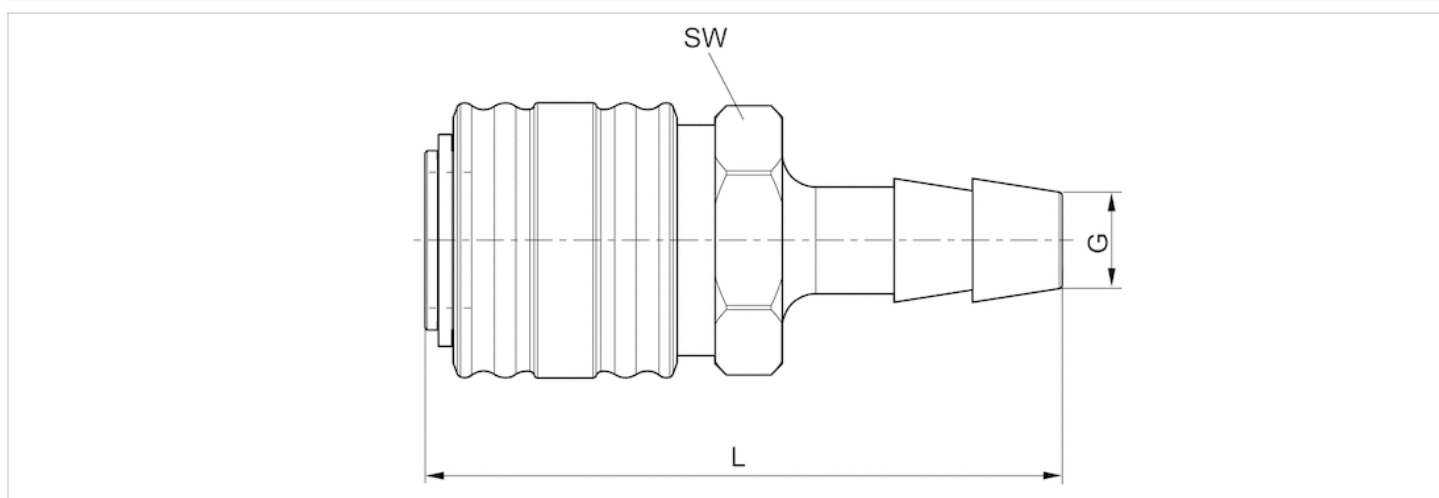
Coupling plugs with NW 7.2 (brass) as well as NW 7.8 (steel) fit couplings with NW 7.2.

Technical information

Material	
Housing	Brass, nickel-plated
Release bushing	Brass, nickel-plated
Seal	Acrylonitrile butadiene rubber
Port	Brass, nickel-plated

Dimensions

Dimensions



Dimensions

Part No.	Port G	Nominal width NW	L	SW
1823376009	Ø 6	7.2 mm	57	21
1823376010	Ø 8	7.2 mm	57	21
1823376012	Ø 10	7.2 mm	57	21

Coupling plug with external thread

- Coupling plug
- NW 7.2 7.8 mm



Working pressure min./max.

0 ... 16 bar

Ambient temperature min./max.

-10 ... 90 °C

Medium temperature min./max.

-10 ... 90 °C

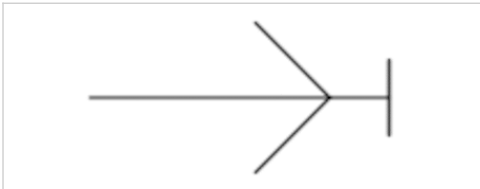
Medium

Compressed air

Weight per piece

See table below

The delivered product may vary from that in the illustration.



Technical data

Part No.	Nominal width NW	Port G	Port D	Housing	Delivery unit	Weight
1823351016	7.2 mm	G 1/4	NW 7,2	Brass nickel-plated	10 piece	0.022 kg
1823351033	7.8 mm	G 1/4	NW 7,8	Steel galvanized	10 piece	0.018 kg
1823351017	7.2 mm	G 3/8	NW 7,2	Brass nickel-plated	10 piece	0.029 kg
1823351034	7.8 mm	G 3/8	NW 7,8	Steel galvanized	10 piece	0.027 kg
1823351035	7.8 mm	G 1/2	NW 7,8	Steel galvanized	5 piece	0.043 kg
1823351027	7.2 mm	G 1/2	NW 7,2	Brass nickel-plated	5 piece	0.046 kg

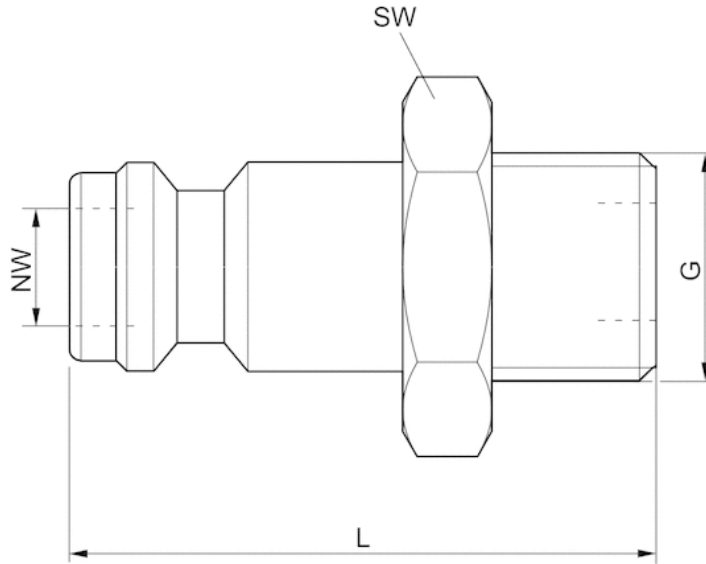
Coupling plugs are suitable for couplings with nominal widths NW 7.2, 7.4 and 7.8.

Technical information

Material	
Housing	Brass, nickel-plated Steel, galvanized

Dimensions

Dimensions



Dimensions

Part No.	Port G	Nominal width NW	L	SW
1823351016	G 1/4	7.2 mm	33	17
1823351033	G 1/4	7.8 mm	33	17
1823351017	G 3/8	7.2 mm	33	19
1823351034	G 3/8	7.8 mm	33	19
1823351035	G 1/2	7.8 mm	35	24
1823351027	G 1/2	7.2 mm	35	24

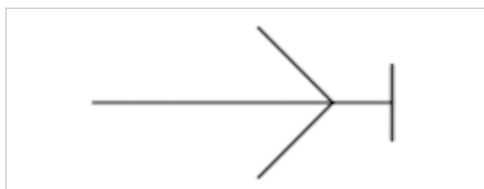
Coupling plug with internal thread

- Coupling plug
- NW 7.2 7.8 mm



Silicon
 Working pressure min./max.
 Ambient temperature min./max.
 Medium temperature min./max.
 Medium
 Weight per piece

silicone-free
 0 ... 16 bar
 -10 ... 90 °C
 -10 ... 90 °C
 Compressed air
 See table below
 The delivered product may vary from that
 in the illustration.



Technical data

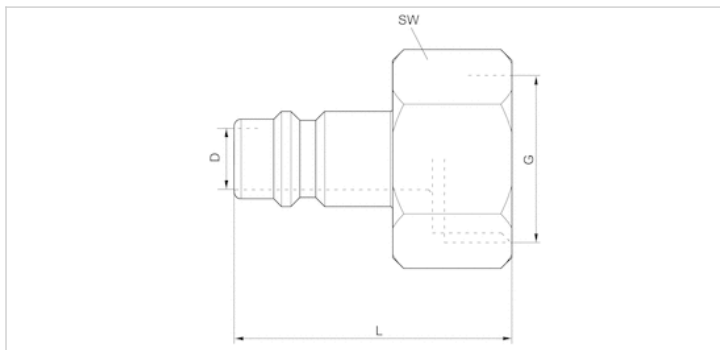
Part No.	Nominal width NW	Port G	Port D	Housing	Delivery unit	Weight	Fig.
1823373001	7.2 mm	G 1/4	NW 7,2	Brass nickel-plated	10 piece	0.025 kg	Fig. 2
1823373081	7.8 mm	G 1/4	NW 7,8	Steel galvanized	10 piece	0.024 kg	Fig. 2
1823373002	7.2 mm	G 3/8	NW 7,2	Brass nickel-plated	10 piece	0.025 kg	Fig. 2
1823373082	7.8 mm	G 3/8	NW 7,8	Steel galvanized	10 piece	0.024 kg	Fig. 2
1823373083	7.8 mm	G 1/2	NW 7,8	Steel galvanized	5 piece	0.034 kg	Fig. 2

Coupling plugs are suitable for couplings with nominal widths NW 7.2, 7.4 and 7.8.

Technical information

Material	
Housing	Brass, nickel-plated Steel, galvanized

Dimensions

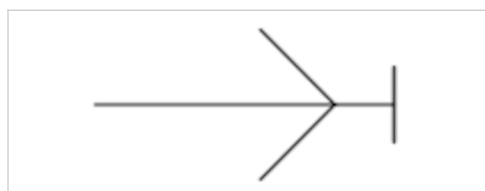


Dimensions

Part No.	Port G	Nominal width NW	L	SW
1823373001	G 1/4	7.2 mm	33	17
1823373081	G 1/4	7.8 mm	33	17
1823373002	G 3/8	7.2 mm	33	19
1823373082	G 3/8	7.8 mm	33	19
1823373083	G 1/2	7.8 mm	33	24

Coupling plug with collar

- Coupling plug
- NW 7.2 7.8 mm



Working pressure min./max.

Ambient temperature min./max.

Medium temperature min./max.

Medium

Weight per piece

0 ... 16 bar

-10 ... 90 °C

-10 ... 90 °C

Compressed air

See table below

The delivered product may vary from that in the illustration.

Technical data

Part No.	Nominal width NW	Port G	Port D	Housing	Delivery unit	Weight	Fig.
1823386035	7.2 mm	Ø 6	NW 7,2	Brass nickel-plated	10 piece	0.015 kg	Fig. 2
1823386085	7.8 mm	Ø 6	NW 7,8	Steel galvanized	10 piece	0.014 kg	Fig. 2
1823386017	7.2 mm	Ø 8	NW 7,2	Brass nickel-plated	10 piece	0.016 kg	Fig. 2
1823386086	7.8 mm	Ø 8	NW 7,8	Steel galvanized	10 piece	0.015 kg	Fig. 2
1823386060	7.2 mm	Ø 10	NW 7,2	Brass nickel-plated	10 piece	0.019 kg	Fig. 2
1823386087	7.8 mm	Ø 10	NW 7,8	Steel galvanized	10 piece	0.018 kg	Fig. 2
1823386020	7.2 mm	Ø 13	NW 7,2	Brass nickel-plated	10 piece	0.022 kg	Fig. 2
1823386088	7.8 mm	Ø 13	NW 7,8	Steel galvanized	10 piece	0.022 kg	Fig. 2

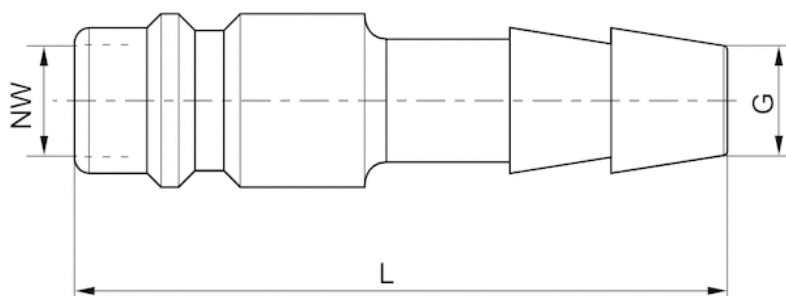
Coupling plugs are suitable for couplings with nominal widths NW 7.2, 7.4 and 7.8.

Technical information

Material	
Housing	Brass, nickel-plated Steel, galvanized

Dimensions

Fig. 2



Dimensions

Part No.	Port G	Nominal width NW	L
1823386035	Ø 6	7.2 mm	45
1823386085	Ø 6	7.8 mm	45
1823386017	Ø 8	7.2 mm	45
1823386086	Ø 8	7.8 mm	45
1823386060	Ø 10	7.2 mm	45
1823386087	Ø 10	7.8 mm	45
1823386020	Ø 13	7.2 mm	45
1823386088	Ø 13	7.8 mm	45

Coupling plug with tube nut

- Coupling plug
- NW 7.2 mm

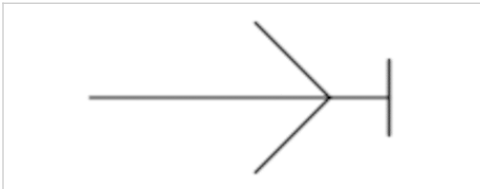


Working pressure min./max.
 Ambient temperature min./max.
 Medium temperature min./max.
 Medium
 Weight per piece

0 ... 16 bar
 -10 ... 90 °C
 -10 ... 90 °C

Compressed air
 See table below

The delivered product may vary from that in the illustration.



Technical data

Part No.	Nominal width NW	Port G	Port D	Housing	Delivery unit	Weight	Fig.
1823386019	7.2 mm	Ø 6	NW 7,2	Brass nickel-plated	10 piece	0.024 kg	Fig. 3
1823386016	7.2 mm	Ø 8	NW 7,2	Brass nickel-plated	10 piece	0.025 kg	Fig. 3

Technical information

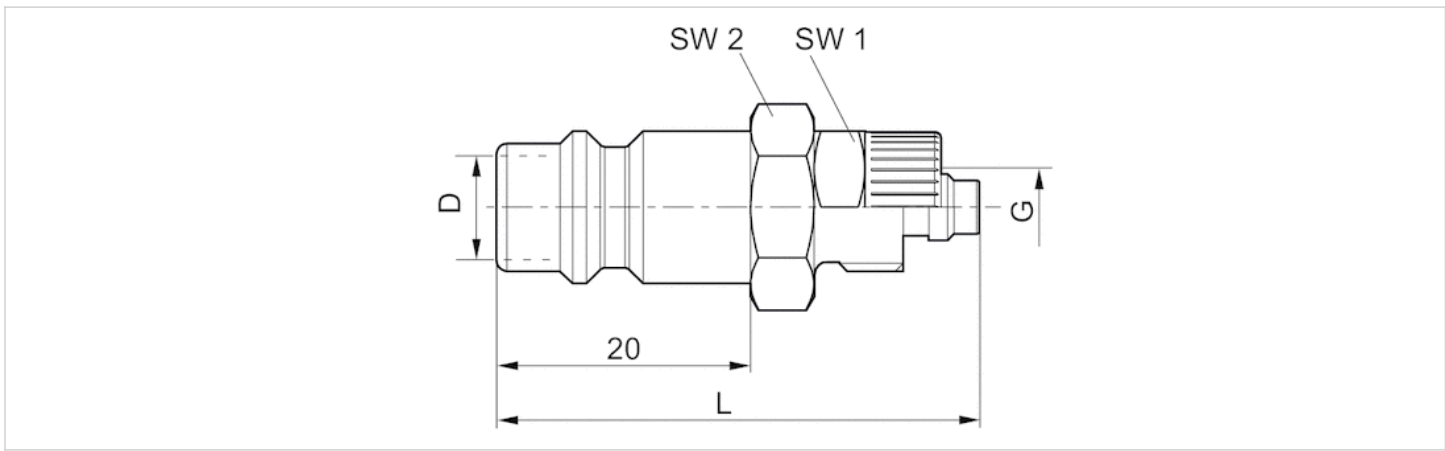
Coupling plugs are applicable for all locking and safety couplings with adequate nominal width

Technical information

Material	
Housing	Brass, nickel-plated

Dimensions

Fig. 3



Dimensions

Part No.	Port G	Nominal width NW	L	SW1	SW2
1823386019	Ø 6	7.2 mm	38	12	14
1823386016	Ø 8	7.2 mm	38	14	14

Lock coupling, Series CP1

- External thread

- NW 7.8 mm



Working pressure min./max.

Ambient temperature min./max.

Medium temperature min./max.

Medium

Weight per piece

0 ... 16 bar

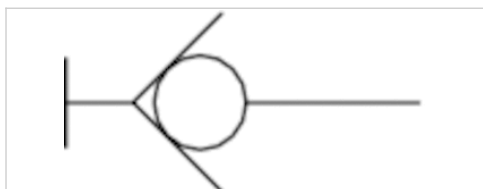
-10 ... 90 °C

-10 ... 90 °C

Compressed air

0.095 kg

The delivered product may vary from that in the illustration.



Technical data

Part No.	Nominal width NW	Port G	Port D	Flow	Housing	Delivery unit
				Qn		
1823376034	7.8 mm	G 1/4	NW 7,8	2300 l/min	Brass nickel-plated	1 piece
1823376035	7.8 mm	G 3/8	NW 7,8	2300 l/min	Brass nickel-plated	1 piece
1823376036	7.8 mm	G 1/2	NW 7,8	2300 l/min	Brass nickel-plated	1 piece

Technical information

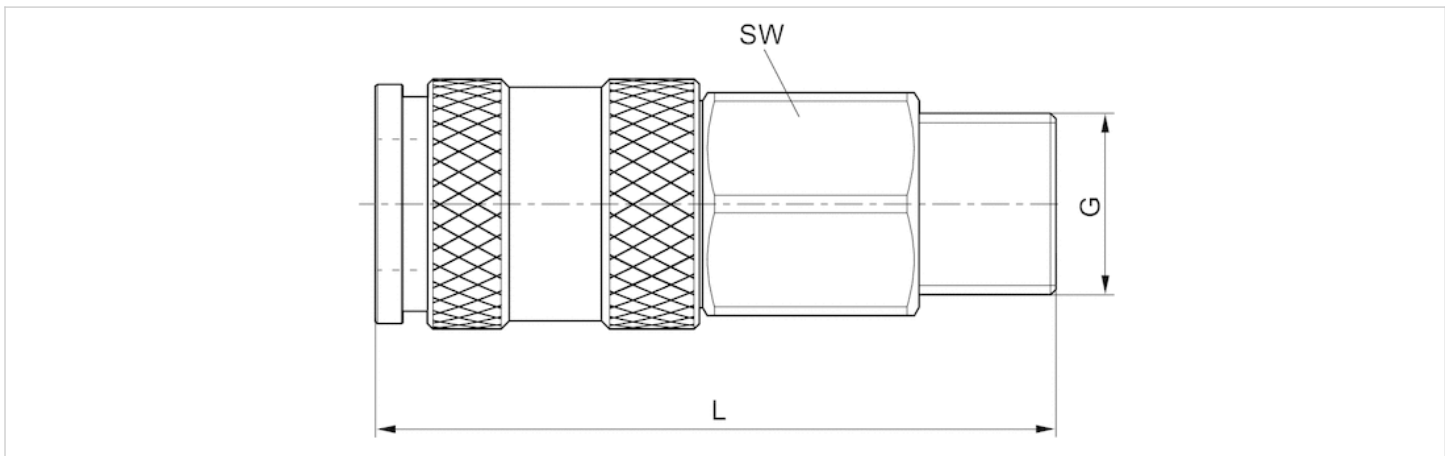
Coupling plugs with NW 7.2 (brass) as well as NW 7.8 (steel) fit couplings with NW 7.2. Plugs with ARO profile are also suitable.

Technical information

Material	
Housing	Brass, nickel-plated
Release bushing	Brass, nickel-plated
Seal	Acrylonitrile butadiene rubber
Port	Brass, nickel-plated

Dimensions

Dimensions



Dimensions

Part No.	Port G	Nominal width NW	L	SW
1823376034	G 1/4	7.8 mm	56	19
1823376035	G 3/8	7.8 mm	56	19
1823376036	G 1/2	7.8 mm	50	22

Lock coupling, Series CP1

- Internal thread

- NW 7.8 mm



Working pressure min./max.

Ambient temperature min./max.

Medium temperature min./max.

Medium

Weight per piece

0 ... 16 bar

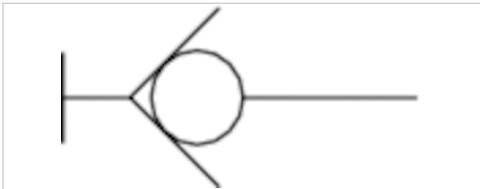
-10 ... 90 °C

-10 ... 90 °C

Compressed air

See table below

The delivered product may vary from that in the illustration.



Technical data

Part No.	Nominal width NW	Port G	Port D	Flow	Housing	Delivery unit	Weight
				Qn			
1823376037	7.8 mm	G 1/4	NW 7,8	2300 l/min	Brass nickel-plated	1 piece	0.1 kg
1823376038	7.8 mm	G 3/8	NW 7,8	2300 l/min	Brass nickel-plated	1 piece	0.095 kg
1823376039	7.8 mm	G 1/2	NW 7,8	2300 l/min	Brass nickel-plated	1 piece	0.12 kg

Technical information

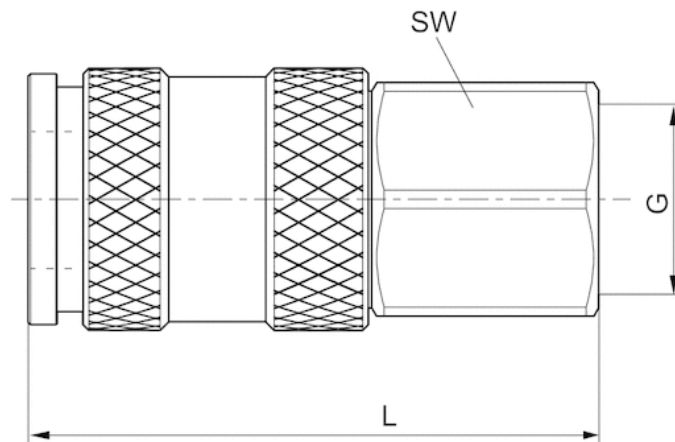
Coupling plugs with NW 7.2 (brass) as well as NW 7.8 (steel) fit couplings with NW 7.2. Plugs with ARO profile are also suitable.

Technical information

Material	
Housing	Brass, nickel-plated
Release bushing	Brass, nickel-plated
Seal	Acrylonitrile butadiene rubber
Port	Brass, nickel-plated

Dimensions

Dimensions



Dimensions

Part No.	Port G	Nominal width NW	L	SW
1823376037	G 1/4	7.8 mm	54	19
1823376038	G 3/8	7.8 mm	54	19
1823376039	G 1/2	7.8 mm	56	24

Lock coupling, Series CP1

- Collar
- NW 7.8 mm



Working pressure min./max.
Ambient temperature min./max.
Medium temperature min./max.
Medium
Weight per piece

0 ... 16 bar

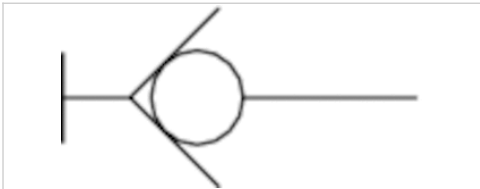
-10 ... 90 °C

-10 ... 90 °C

Compressed air

See table below

The delivered product may vary from that in the illustration.



Technical data

Part No.	Nominal width NW	Port G	Port D	Flow	Housing	Delivery unit	Weight
				Qn			
1823376040	7.8 mm	Ø 6	NW 7,8	2300 l/min	Brass nickel-plated	1 piece	0.095 kg
1823376041	7.8 mm	Ø 8	NW 7,8	2300 l/min	Brass nickel-plated	1 piece	0.095 kg
1823376042	7.8 mm	Ø 10	NW 7,8	2300 l/min	Brass nickel-plated	1 piece	0.095 kg
1823376043	7.8 mm	Ø 13	NW 7,8	2300 l/min	Brass nickel-plated	1 piece	0.1 kg

Technical information

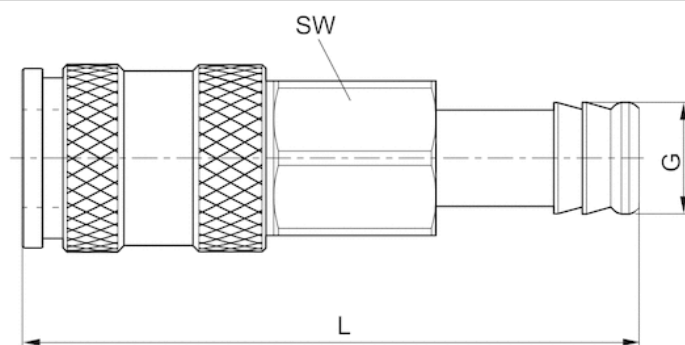
Coupling plugs with NW 7.2 (brass) as well as NW 7.8 (steel) fit couplings with NW 7.2. Plugs with ARO profile are also suitable.

Technical information

Material	
Housing	Brass, nickel-plated
Release bushing	Brass, nickel-plated
Seal	Acrylonitrile butadiene rubber
Port	Brass, nickel-plated

Dimensions

Dimensions



Dimensions

Part No.	Port G	Nominal width NW	L	SW
1823376040	Ø 6	7.8 mm	70	19
1823376041	Ø 8	7.8 mm	70	19
1823376042	Ø 10	7.8 mm	70	19
1823376043	Ø 13	7.8 mm	70	19

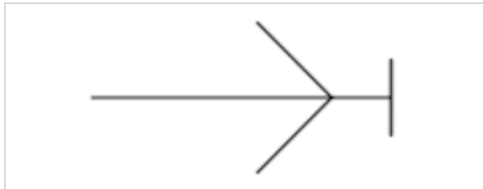
Coupling plug with external thread

- Coupling plug
- NW 7.2 7.8 mm



Working pressure min./max. 0 ... 16 bar
 Ambient temperature min./max. -10 ... 90 °C
 Medium temperature min./max. -10 ... 90 °C
 Medium Compressed air
 Weight per piece See table below

The delivered product may vary from that in the illustration.



Technical data

Part No.	Nominal width NW	Port G	Port D	Housing	Delivery unit	Weight
1823351016	7.2 mm	G 1/4	NW 7,2	Brass nickel-plated	10 piece	0.022 kg
1823351033	7.8 mm	G 1/4	NW 7,8	Steel galvanized	10 piece	0.018 kg
1823351017	7.2 mm	G 3/8	NW 7,2	Brass nickel-plated	10 piece	0.029 kg
1823351034	7.8 mm	G 3/8	NW 7,8	Steel galvanized	10 piece	0.027 kg
1823351035	7.8 mm	G 1/2	NW 7,8	Steel galvanized	5 piece	0.043 kg
1823351027	7.2 mm	G 1/2	NW 7,2	Brass nickel-plated	5 piece	0.046 kg

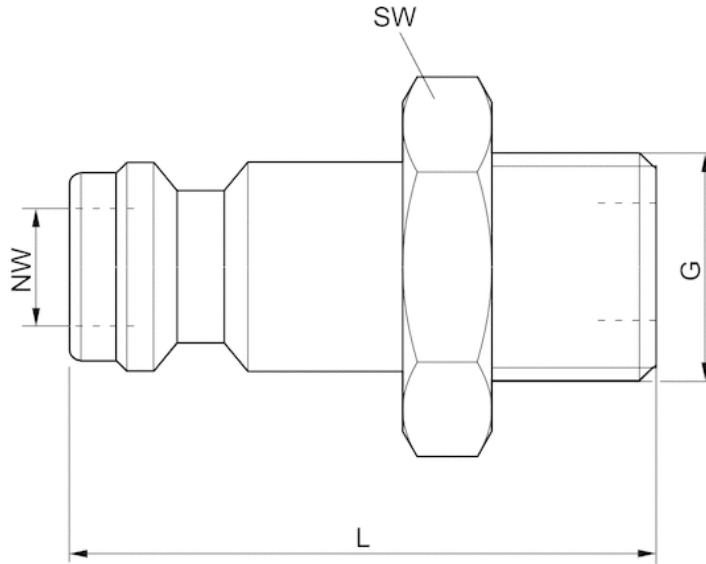
Coupling plugs are suitable for couplings with nominal widths NW 7.2, 7.4 and 7.8.

Technical information

Material	
Housing	Brass, nickel-plated Steel, galvanized

Dimensions

Dimensions

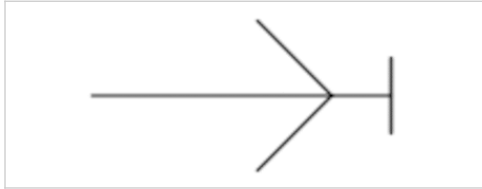


Dimensions

Part No.	Port G	Nominal width NW	L	SW
1823351016	G 1/4	7.2 mm	33	17
1823351033	G 1/4	7.8 mm	33	17
1823351017	G 3/8	7.2 mm	33	19
1823351034	G 3/8	7.8 mm	33	19
1823351035	G 1/2	7.8 mm	35	24
1823351027	G 1/2	7.2 mm	35	24

Coupling plug with internal thread

- Coupling plug
- NW 7.2 7.8 mm



Silicon

Working pressure min./max.

Ambient temperature min./max.

Medium temperature min./max.

Medium

Weight per piece

silicone-free

0 ... 16 bar

-10 ... 90 °C

-10 ... 90 °C

Compressed air

See table below

The delivered product may vary from that in the illustration.

Technical data

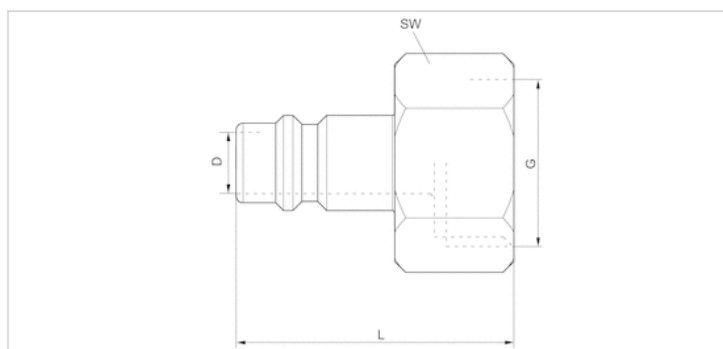
Part No.	Nominal width NW	Port G	Port D	Housing	Delivery unit	Weight	Fig.
1823373001	7.2 mm	G 1/4	NW 7,2	Brass nickel-plated	10 piece	0.025 kg	Fig. 2
1823373081	7.8 mm	G 1/4	NW 7,8	Steel galvanized	10 piece	0.024 kg	Fig. 2
1823373002	7.2 mm	G 3/8	NW 7,2	Brass nickel-plated	10 piece	0.025 kg	Fig. 2
1823373082	7.8 mm	G 3/8	NW 7,8	Steel galvanized	10 piece	0.024 kg	Fig. 2
1823373083	7.8 mm	G 1/2	NW 7,8	Steel galvanized	5 piece	0.034 kg	Fig. 2

Coupling plugs are suitable for couplings with nominal widths NW 7.2, 7.4 and 7.8.

Technical information

Material	
Housing	Brass, nickel-plated Steel, galvanized

Dimensions

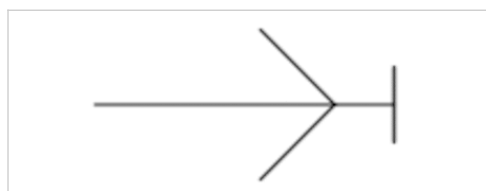


Dimensions

Part No.	Port G	Nominal width NW	L	SW
1823373001	G 1/4	7.2 mm	33	17
1823373081	G 1/4	7.8 mm	33	17
1823373002	G 3/8	7.2 mm	33	19
1823373082	G 3/8	7.8 mm	33	19
1823373083	G 1/2	7.8 mm	33	24

Coupling plug with collar

- Coupling plug
- NW 7.2 7.8 mm



Working pressure min./max.

Ambient temperature min./max.

Medium temperature min./max.

Medium

Weight per piece

0 ... 16 bar

-10 ... 90 °C

-10 ... 90 °C

Compressed air

See table below

The delivered product may vary from that in the illustration.

Technical data

Part No.	Nominal width NW	Port G	Port D	Housing	Delivery unit	Weight	Fig.
1823386035	7.2 mm	Ø 6	NW 7,2	Brass nickel-plated	10 piece	0.015 kg	Fig. 2
1823386085	7.8 mm	Ø 6	NW 7,8	Steel galvanized	10 piece	0.014 kg	Fig. 2
1823386017	7.2 mm	Ø 8	NW 7,2	Brass nickel-plated	10 piece	0.016 kg	Fig. 2
1823386086	7.8 mm	Ø 8	NW 7,8	Steel galvanized	10 piece	0.015 kg	Fig. 2
1823386060	7.2 mm	Ø 10	NW 7,2	Brass nickel-plated	10 piece	0.019 kg	Fig. 2
1823386087	7.8 mm	Ø 10	NW 7,8	Steel galvanized	10 piece	0.018 kg	Fig. 2
1823386020	7.2 mm	Ø 13	NW 7,2	Brass nickel-plated	10 piece	0.022 kg	Fig. 2
1823386088	7.8 mm	Ø 13	NW 7,8	Steel galvanized	10 piece	0.022 kg	Fig. 2

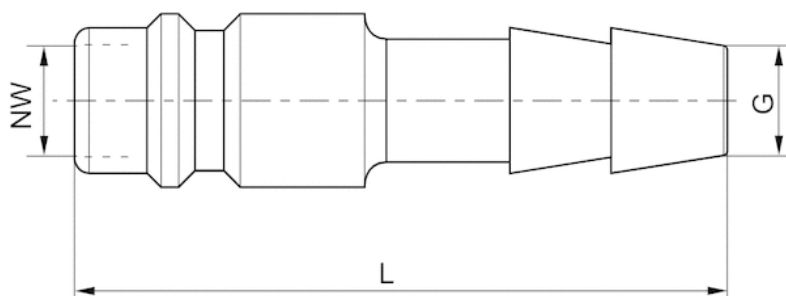
Coupling plugs are suitable for couplings with nominal widths NW 7.2, 7.4 and 7.8.

Technical information

Material	
Housing	Brass, nickel-plated Steel, galvanized

Dimensions

Fig. 2



Dimensions

Part No.	Port G	Nominal width NW	L
1823386035	Ø 6	7.2 mm	45
1823386085	Ø 6	7.8 mm	45
1823386017	Ø 8	7.2 mm	45
1823386086	Ø 8	7.8 mm	45
1823386060	Ø 10	7.2 mm	45
1823386087	Ø 10	7.8 mm	45
1823386020	Ø 13	7.2 mm	45
1823386088	Ø 13	7.8 mm	45

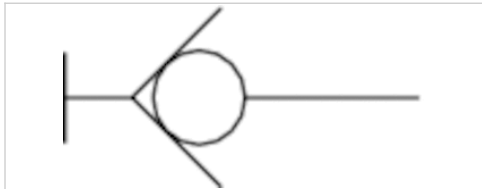
Lock coupling, Series CP1

- External thread
- NW 10 mm



Working pressure min./max.	0 ... 16 bar
Ambient temperature min./max.	-10 ... 90 °C
Medium temperature min./max.	-10 ... 90 °C
Medium	Compressed air
Weight per piece	0.255 kg

The delivered product may vary from that in the illustration.



Technical data

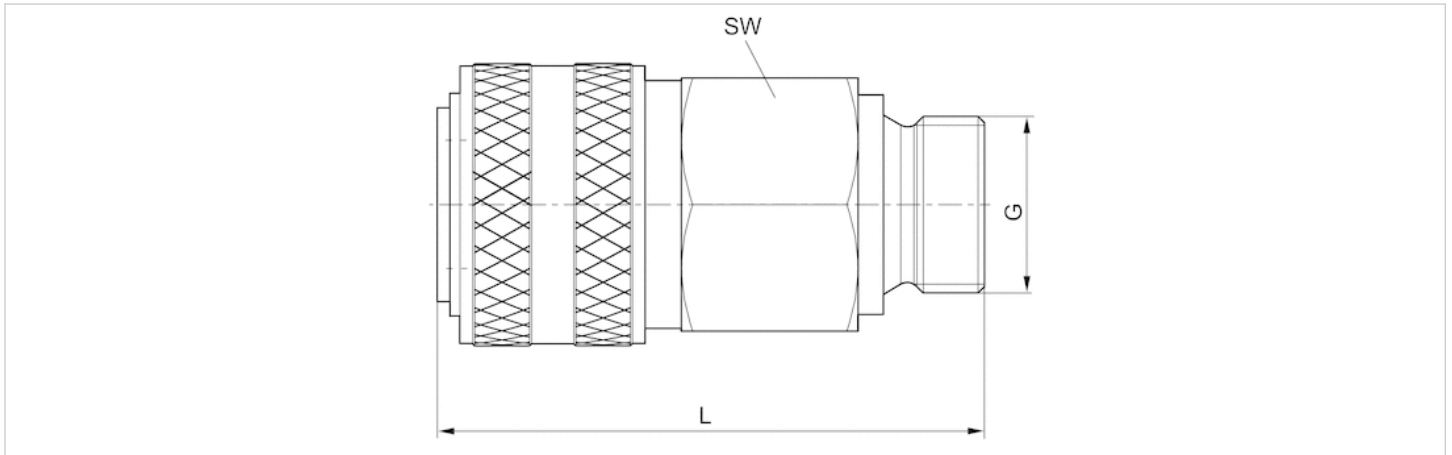
Part No.	Nominal width NW	Port G	Port D	Flow	Housing	Delivery unit
				Qn		
1823376003	10 mm	G 1/2	NW 10	3200 l/min	Brass nickel-plated	1 piece

Technical information

Material	
Housing	Brass, nickel-plated
Release bushing	Brass, nickel-plated
Seal	Acrylonitrile butadiene rubber
Port	Brass, nickel-plated

Dimensions

Dimensions



Dimensions

Part No.	Port G	Nominal width NW	L	SW
1823376003	G 1/2	10 mm	65	30

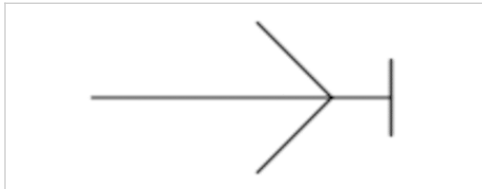
Coupling plug with external thread

- Coupling plug
- NW 10 mm



Working pressure min./max.	0 ... 16 bar
Ambient temperature min./max.	-10 ... 90 °C
Medium temperature min./max.	-10 ... 90 °C
Medium	Compressed air
Weight per piece	0.076 kg

The delivered product may vary from that in the illustration.



Technical data

Part No.	Nominal width NW	Port G	Port D	Housing	Delivery unit	Fig.
1823351018	10 mm	G 1/2	NW 10	Brass nickel-plated	2 piece	Fig. 2

Technical information

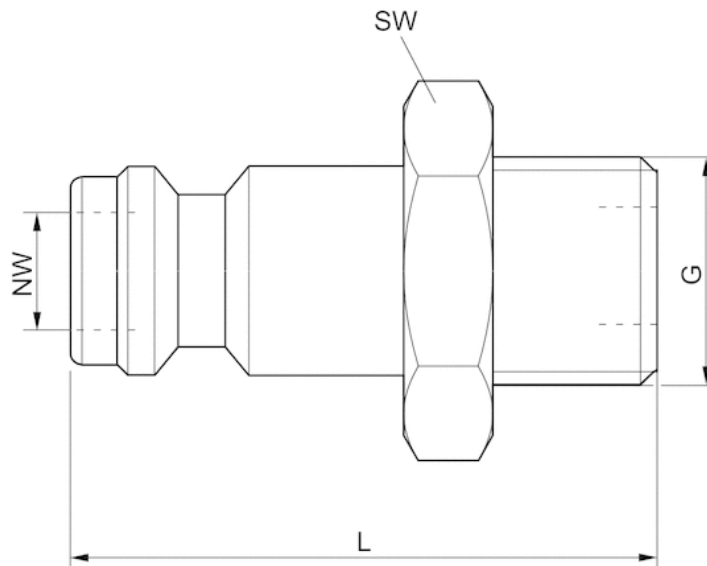
Coupling plugs are applicable for all locking and safety couplings with adequate nominal width

Technical information

Material	
Housing	Brass, nickel-plated

Dimensions

Dimensions



Dimensions

Part No.	Port G	Nominal width NW	L	SW
1823351018	G 1/2	10 mm	42	27

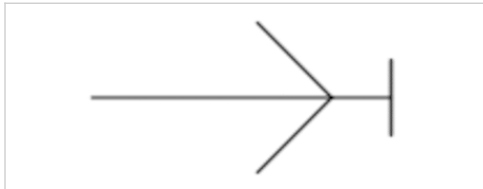
Coupling plug with internal thread

- Coupling plug
- NW 10 mm



Silicon
 Working pressure min./max.
 Ambient temperature min./max.
 Medium temperature min./max.
 Medium
 Weight per piece

silicone-free
 0 ... 16 bar
 -10 ... 90 °C
 -10 ... 90 °C
 Compressed air
 0.076 kg
 The delivered product may vary from that in the illustration.



Technical data

Part No.	Nominal width NW	Port G	Port D	Housing	Delivery unit	Fig.
1823373003	10 mm	G 1/2	NW 10	Brass nickel-plated	2 piece	Fig. 1

Technical information

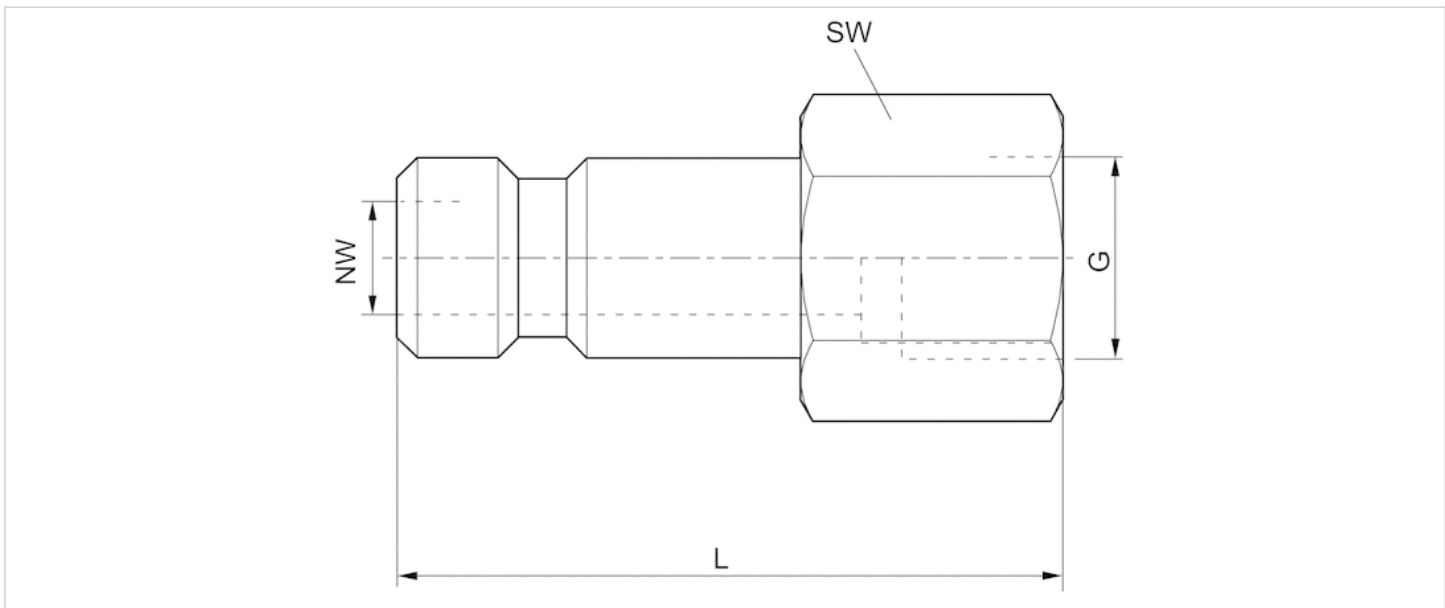
Coupling plugs are applicable for all locking and safety couplings with adequate nominal width

Technical information

Material	
Housing	Brass, nickel-plated

Dimensions

Fig. 1



Dimensions

Part No.	Port G	Nominal width NW	L	SW
1823373003	G 1/2	10 mm	40	27

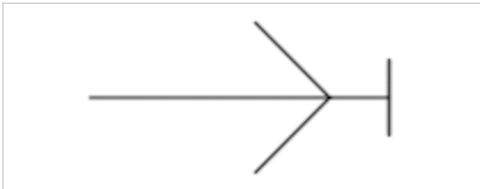
Coupling plug with collar

- Coupling plug
- NW 10 mm



Working pressure min./max.
 Ambient temperature min./max.
 Medium temperature min./max.
 Medium
 Weight per piece

0 ... 16 bar
 -10 ... 90 °C
 -10 ... 90 °C
 Compressed air
 0.036 kg
 The delivered product may vary from that in the illustration.



Technical data

Part No.	Nominal width NW	Port G	Port D	Housing	Delivery unit	Fig.
1823386018	10 mm	Ø 13	NW 10	Brass nickel-plated	2 piece	Fig. 2

Technical information

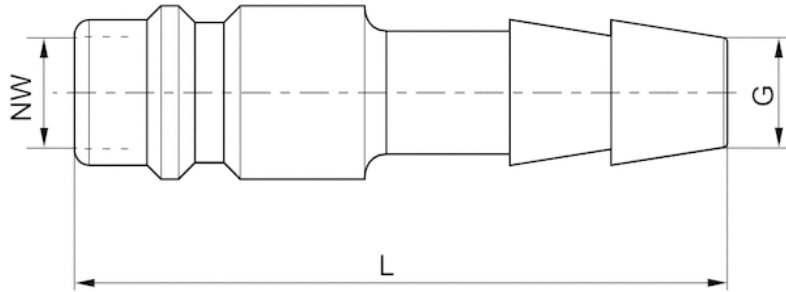
Coupling plugs are applicable for all locking and safety couplings with adequate nominal width

Technical information

Material	
Housing	Brass, nickel-plated

Dimensions

Fig. 2



Dimensions

Part No.	Port G	Nominal width NW	L
1823386018	Ø 13	10 mm	55

Efficient pneumatic solutions, our program: cylinders and drives, valves and valve systems, air supply management



Visit us: [Emerson.com/Aventics](https://www.emerson.com/Aventics)

Your local contact: [Emerson.com/contactus](https://www.emerson.com/contactus)



Emerson.com



[Facebook.com/EmersonAutomationSolutions](https://www.facebook.com/EmersonAutomationSolutions)



[LinkedIn.com/company/Emerson-Automation-Solutions](https://www.linkedin.com/company/Emerson-Automation-Solutions)



[Twitter.com/EMR_Automation](https://twitter.com/EMR_Automation)

An example configuration is depicted on the title page. The delivered product may thus vary from that in the illustration. Subject to change. This Document, as well as the data, specifications and other information set forth in it, are the exclusive property of AVENTICS GmbH. It may not be reproduced or given to third parties without its consent. Only use the AVENTICS products shown in industrial applications. Read the product documentation completely and carefully before using the product. Observe the applicable regulations and laws of the respective country. When integrating the product into applications, note the system manufacturer's specifications for safe use of the product. The data specified only serve to describe the product. No statements concerning a certain condition or suitability for a certain application can be derived from our information. The information given does not release the user from the obligation of own judgment and verification. It must be remembered that the products are subject to a natural process of wear and aging.

The Emerson logo is a trademark and service mark of Emerson Electric Co. Brand logotype are registered trademarks of one of the Emerson family of companies. All other marks are the property of their respective owners. © 2017 Emerson Electric Co. All rights reserved.
2019-03



CONSIDER IT SOLVED™