

Shut-off valves



AVENTICS™ Shut-off valves

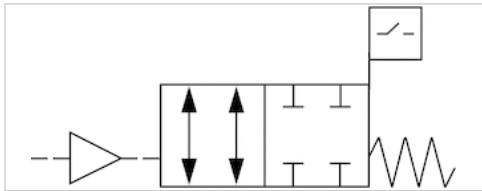


Shut-off module, stand-alone

- With position detection ■ Connections 2, 4
- Ø 6 Ø 8 Ø 1/4"



Activation	pneumatically
Working pressure min./max.	0 ... 10 bar
Ambient temperature min./max.	0 ... 60 °C
Medium temperature min./max.	0 ... 60 °C
Medium	Compressed air
Nominal flow Qn	400 l/min
Operating voltage DC, min.	10 V DC
Operating voltage DC, max.	30 V DC
Sensor Version	PNP
Sensor connection	M8x1
Voltage drop sensor U at I _{max}	2,5 V
Sensor Protection class	IP67
Weight	0.1 kg



Technical data

Part No.	Compressed air connection Input	Compressed air connection Output
R422101515	Ø 6	Ø 6
R422101514	Ø 8	Ø 8
R422101513	Ø 1/4"	Ø 1/4"

Technical information

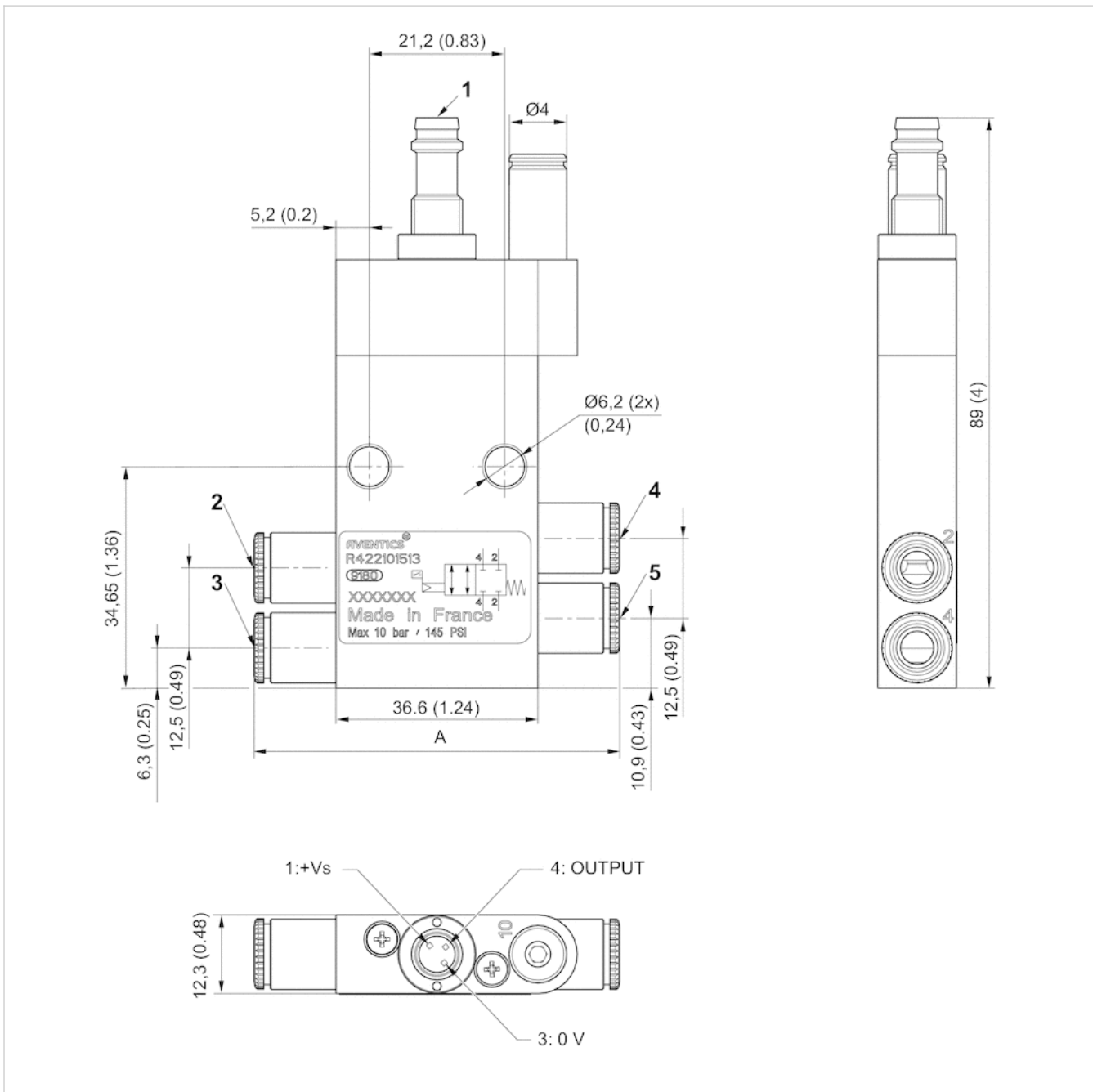
In the non-actuated state, the sensor signal is "high"

Technical information

Material	
Housing	Aluminum
Seals	Nitrile butadiene rubber

Dimensions

Dimensions



1) Sensor plug M8, 3-pin electronic PNP

The orientation of the pins depends on the angular position of the sensor, which is random.

- 2) Connection 2, Input-side
- 3) Connection 4, Input-side
- 4) Operating line 2
- 5) Operating line 4

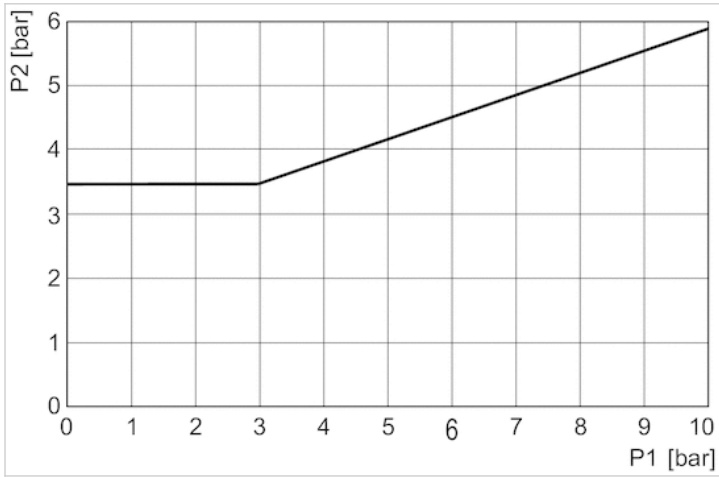
Dimensions

Part No.	A
R422101515	50±1

Part No.	A
R422101514	58±1
R422101513	57±1

Diagrams

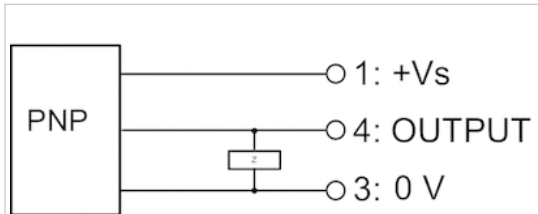
Minimum control pressure (depending on operating pressure)



p1 = pressure on connections 2 and 4, p2 = control pressure

Pin assignments

Sensor circuit diagram



Shut-off module, stand-alone

- Qn = 400 l/min.
- Electrically operated
- with sensor connection
- Connections 2, 4
- Ø 6, Ø 8, Ø 4, Ø 1/4"



Type	Spool valve, positive overlapping
Activation	Electrically
Working pressure min./max.	0 ... 10 bar
Control pressure min./max.	3,5 ... 7 bar
Ambient temperature min./max.	0 ... 50 °C
Medium temperature min./max.	0 ... 50 °C
Medium	Compressed air
Operating voltage DC, min.	10 V DC
Operating voltage DC, max.	30 V DC
Sensor Type	PNP
Sensor connection	M8x1
Voltage drop sensor U at I _{max}	≤ 2,5 V
Sensor Protection class	IP65
Pilot valve Operational voltage	24 V DC
Voltage tolerance DC	-10% / +10%
Power consumption	1,3 W
Display: LED	Yellow
Pilot valve Protection class	IP67

Technical data

Part No.	Compressed air connection Input	Compressed air connection Output	Compressed air connection pilot air
R422101522	Ø 6	Ø 6	Ø 4
R422101521	Ø 8	Ø 8	Ø 4
R422101523	Ø 4	Ø 4	Ø 4
R422101524	Ø 1/4"	Ø 1/4"	Ø 4

Technical information

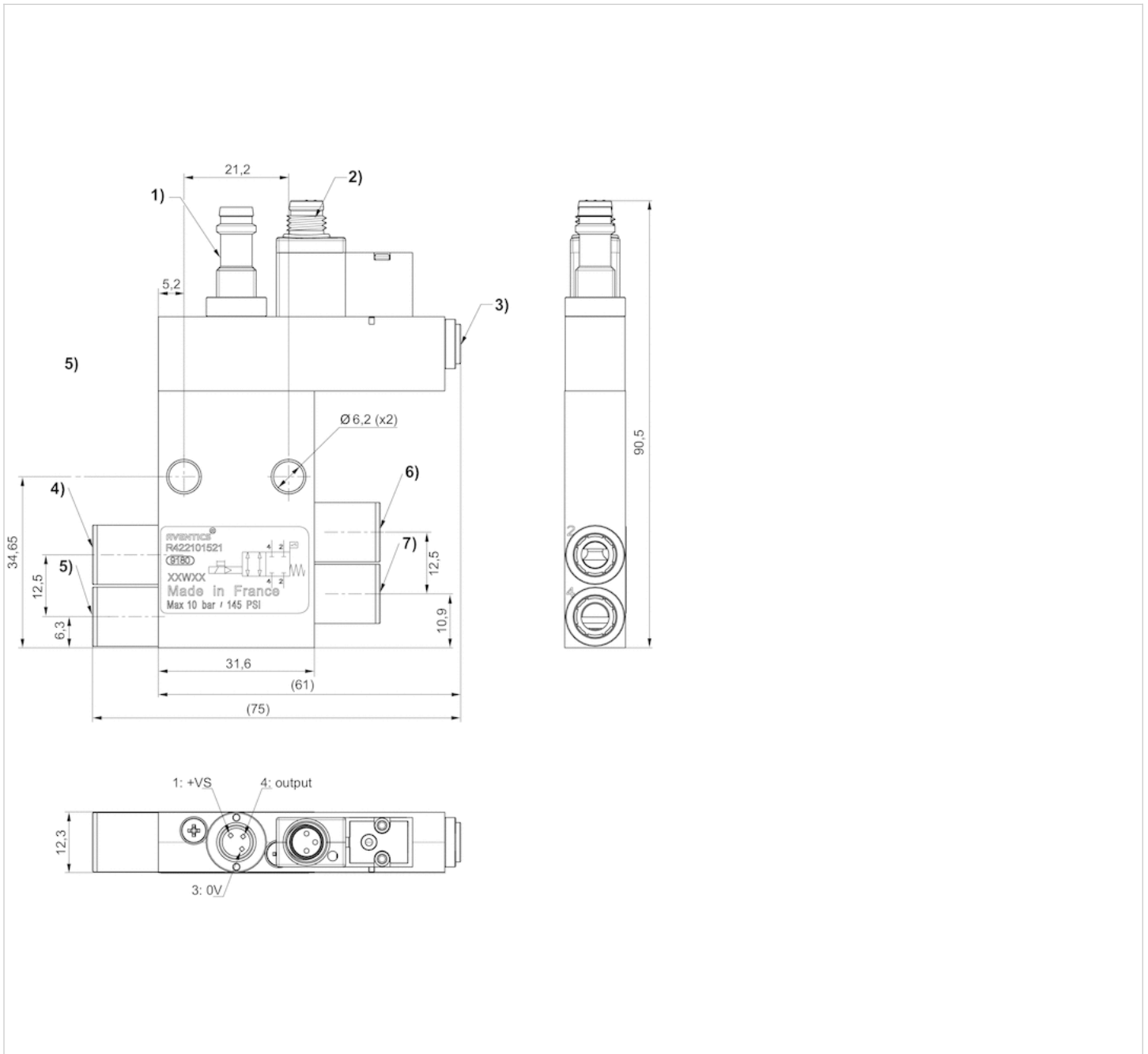
In the non-actuated state, the sensor signal is "high"
A duty cycle of 100% is only valid for valves mounted separately.

Technical information

Material	
Housing	Aluminum
Seals	Nitrile butadiene rubber

Dimensions

Dimensions



1) Sensor plug M8, 3-pin
electronic PNP

The orientation of the pins depends on the angular position of the sensor, which is random.

2) Pilot valve connection

3) Pilot air supply

4) Connection 2, Input-side

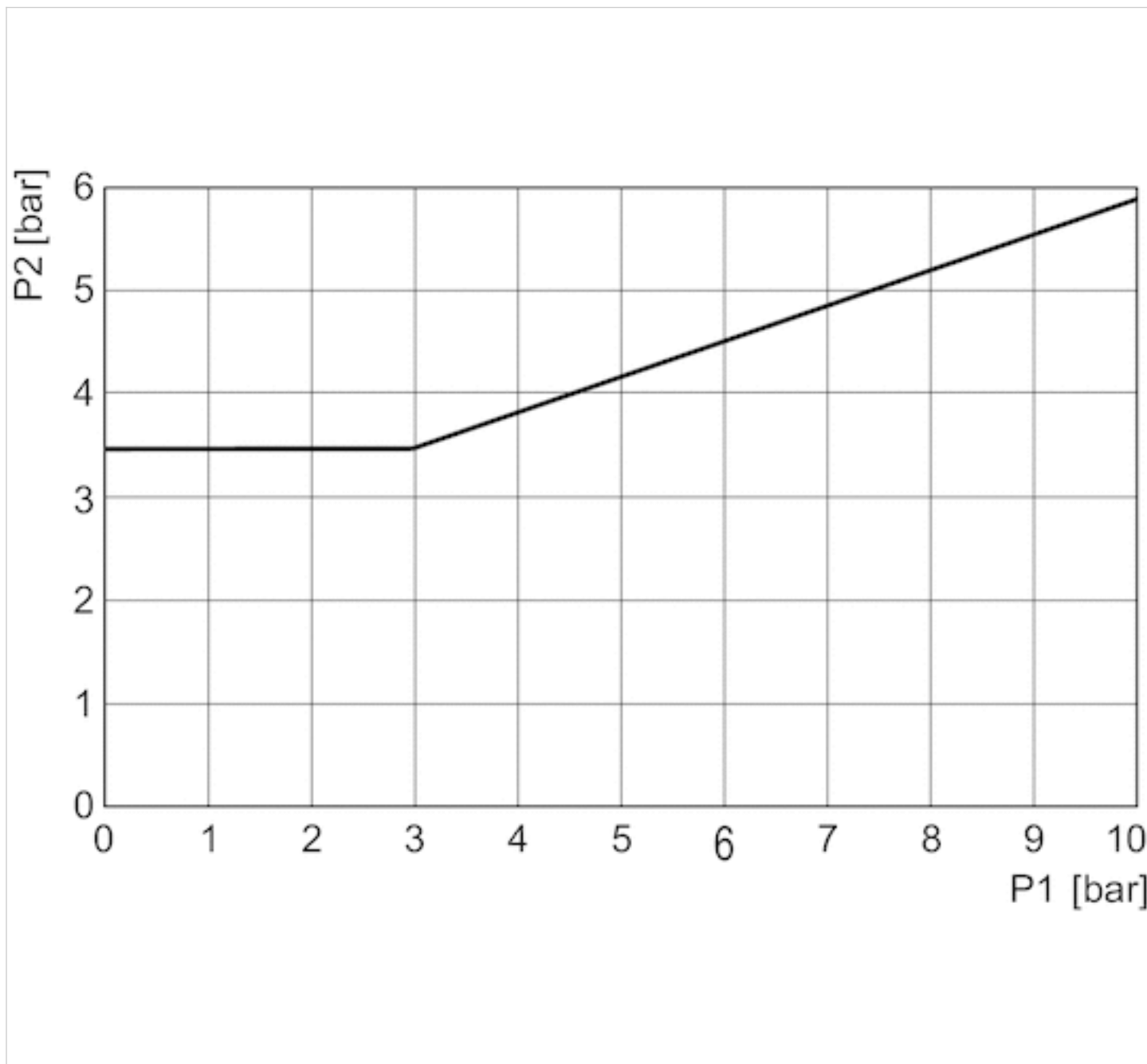
5) Connection 4, Input-side

6) Operating line 2

7) Operating line 4

Diagrams

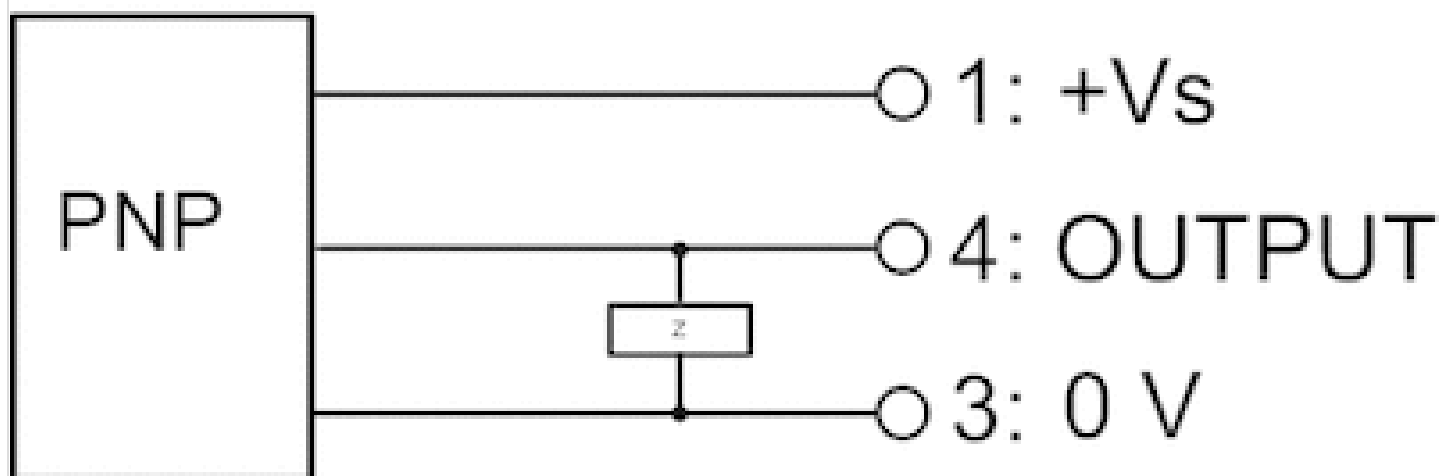
Minimum control pressure (depending on operating pressure)



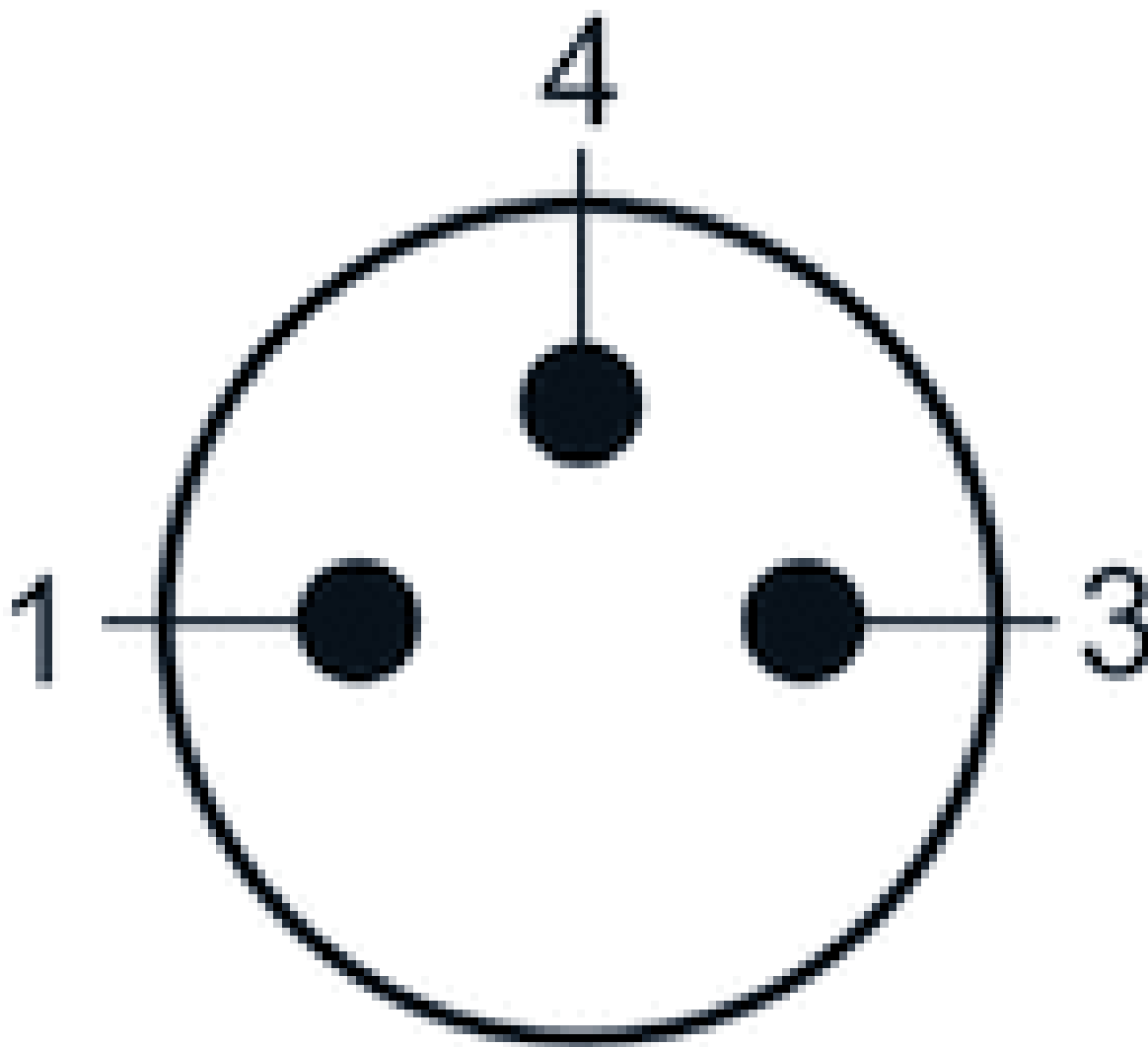
p1 = pressure on connections 2 and 4, p2 = control pressure

Pin assignments

Sensor circuit diagram



Pilot valve pin assignment M8x1 (3-pin)



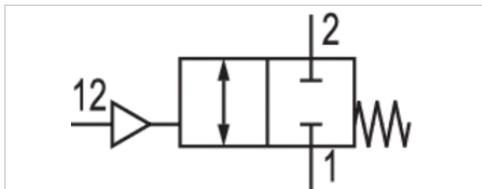
- 1) 24V DC +/-
- 3) nc
- 4) 24V DC +/-

Stop valve

- Qn 2→1 = 340-680 l/min
- Internal thread / External thread
- thread-in



Version	Poppet valve
Working pressure min./max.	2 ... 10 bar
Ambient temperature min./max.	-20 ... 80 °C
Medium temperature min./max.	-20 ... 80 °C
Medium	Compressed air
Weight	See table below



Technical data

Part No.	Port 1	Port 2	Port 12	Flow	Weight
				Qn 2→1	
0821003075	G 1/8	G 1/8	G 1/8	340 l/min	0.059 kg
0821003076	G 1/4	G 1/4	G 1/4	680 l/min	0.103 kg

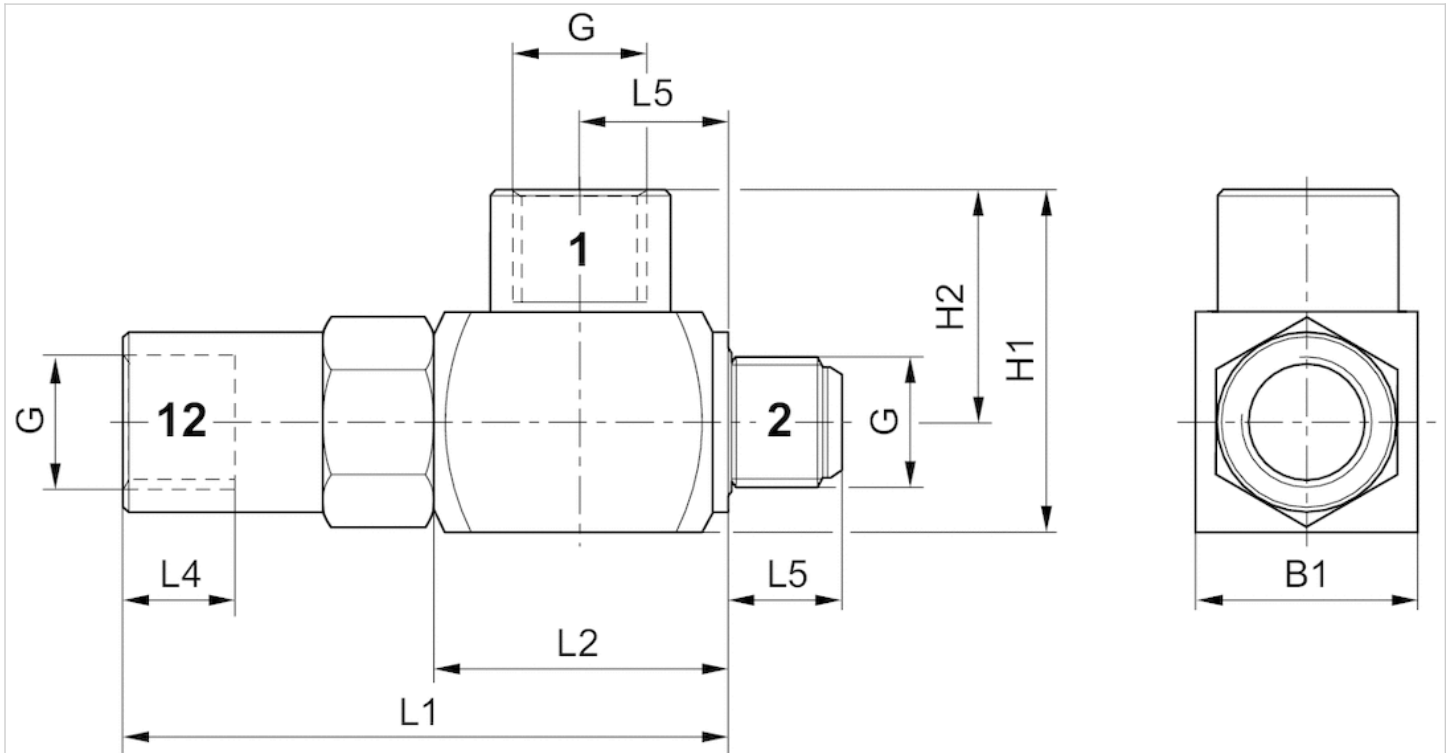
Nominal flow Qn at 6 bar and Δp = 1 bar

Technical information

Material	
Housing	Brass, nickel-plated
Seals	Acrylonitrile butadiene rubber

Dimensions

Dimensions

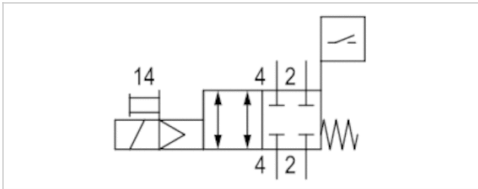


Dimensions

Part No.	Port G	L1	L2	L3	L4	L5	H1	H2	B1	SW
0821003075	G 1/8	50.5	25.4	12.7	8	7.5	24.5	16	17	15
0821003076	G 1/4	59.6	29	14.5	12	11.4	34	23	22	18

Shut-off module, Series AV

- Qn = 400 l/min.
- Electrically operated
- with sensor connection
- push-in fitting



Type	Spool valve, positive overlapping
Activation	Electrically
Working pressure min./max.	0 ... 10 bar
Control pressure min./max.	3,5 ... 7 bar
Ambient temperature min./max.	0 ... 50 °C
Medium temperature min./max.	0 ... 50 °C
Medium	Compressed air
Operating voltage DC, min.	10 V DC
Operating voltage DC, max.	30 V DC
Sensor Type	PNP
Sensor connection	M8x1
Voltage drop sensor U at I _{max}	≤ 2,5 V
Sensor Protection class	IP65
Pilot valve Operational voltage	24 V DC
Voltage tolerance DC	-10% / +10%
Power consumption	1,3 W
Display: LED	Yellow
Pilot valve Protection class	IP67
Weight	0,111 kg

Technical data

Part No.	Compressed air connection type Input	Compressed air connection Output	Compressed air connection pilot air
R422101518	push-in fitting	Ø 6	Ø 4
R422101517	push-in fitting	Ø 8	Ø 4
R422101520	push-in fitting	Ø 1/4"	Ø 4

Technical information

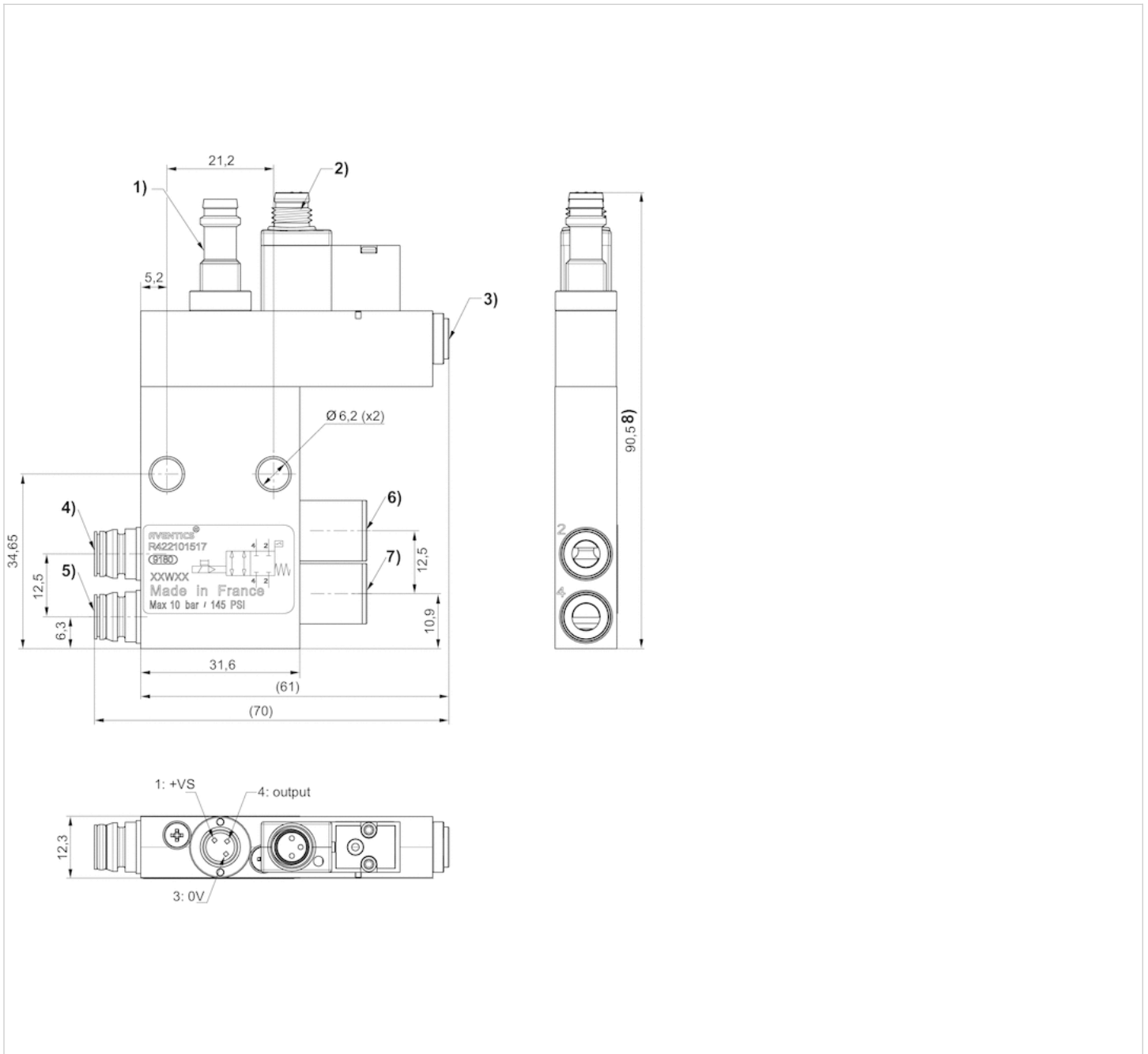
A duty cycle of 100% is only valid for valves mounted separately.

Technical information

Material	
Housing	Aluminum
Seals	Nitrile butadiene rubber

Dimensions

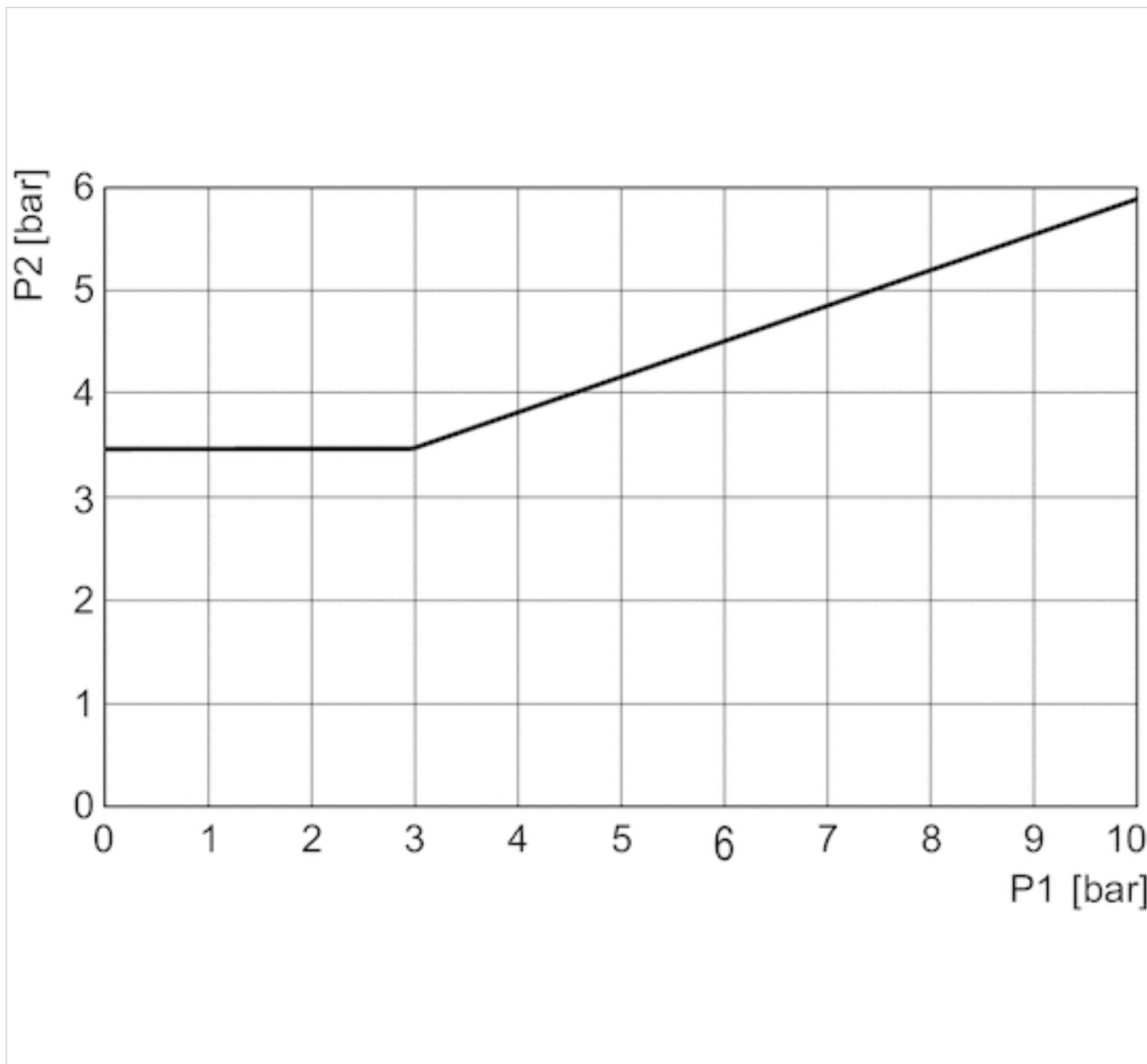
Dimensions



- 1) Sensor plug M8, 3-pin electronic PNP
The orientation of the pins depends on the angular position of the sensor, which is random.
 - 2) Pilot air supply
 - 3) Pilot air supply
 - 4) Connection 2, valve side
 - 5) Connection 4, valve side
 - 6) Operating line 2
 - 7) Operating line 4
- Pneumatic connection to base plate valves, suitable for all sizes in the AV03 and AV05 series

Diagrams

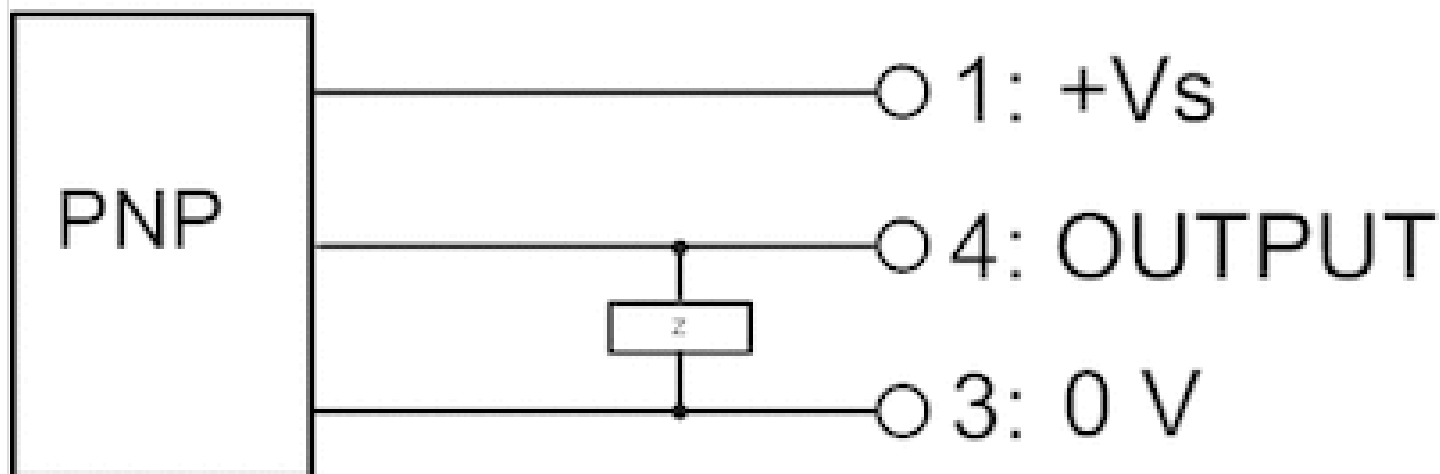
Minimum control pressure (depending on operating pressure)



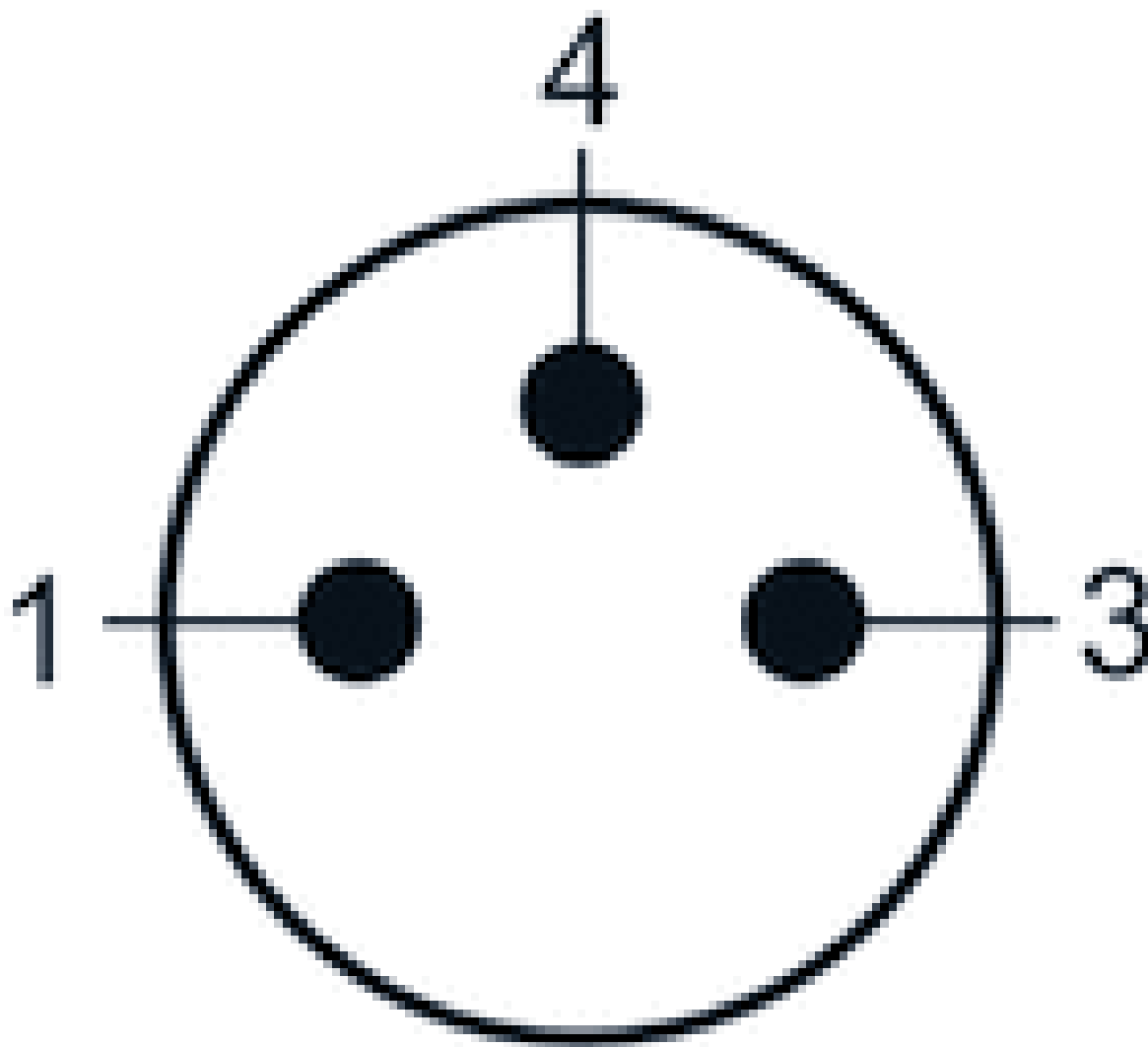
p1 = pressure on connections 2 and 4, p2 = control pressure

Pin assignments

Sensor circuit diagram



Pilot valve pin assignment M8x1 (3-pin)



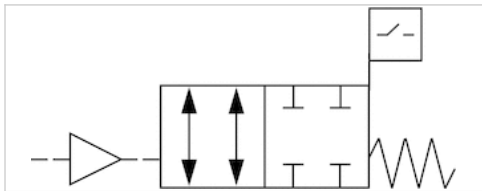
- 1) 24V DC +/-
- 3) nc
- 4) 24V DC +/-

Shut-off module, Series AV

- Pneumatically operated
- With position detection
- push-in fitting



Activation	pneumatically
Working pressure min./max.	0 ... 10 bar
Ambient temperature min./max.	0 ... 60 °C
Medium temperature min./max.	0 ... 60 °C
Medium	Compressed air
Operating voltage DC, min.	10 V DC
Operating voltage DC, max.	30 V DC
Sensor Type	PNP
Max. power consumption	15 A
Voltage drop sensor U at I _{max}	≤ 2,5 V
Sensor Protection class	IP67
Weight	0,1 kg



Technical data

Part No.	Compressed air connection type Input	Compressed air connection Output
R422101511	push-in fitting	Ø 6
R422101510	push-in fitting	Ø 8
R422101509	push-in fitting	Ø 1/4"

Technical information

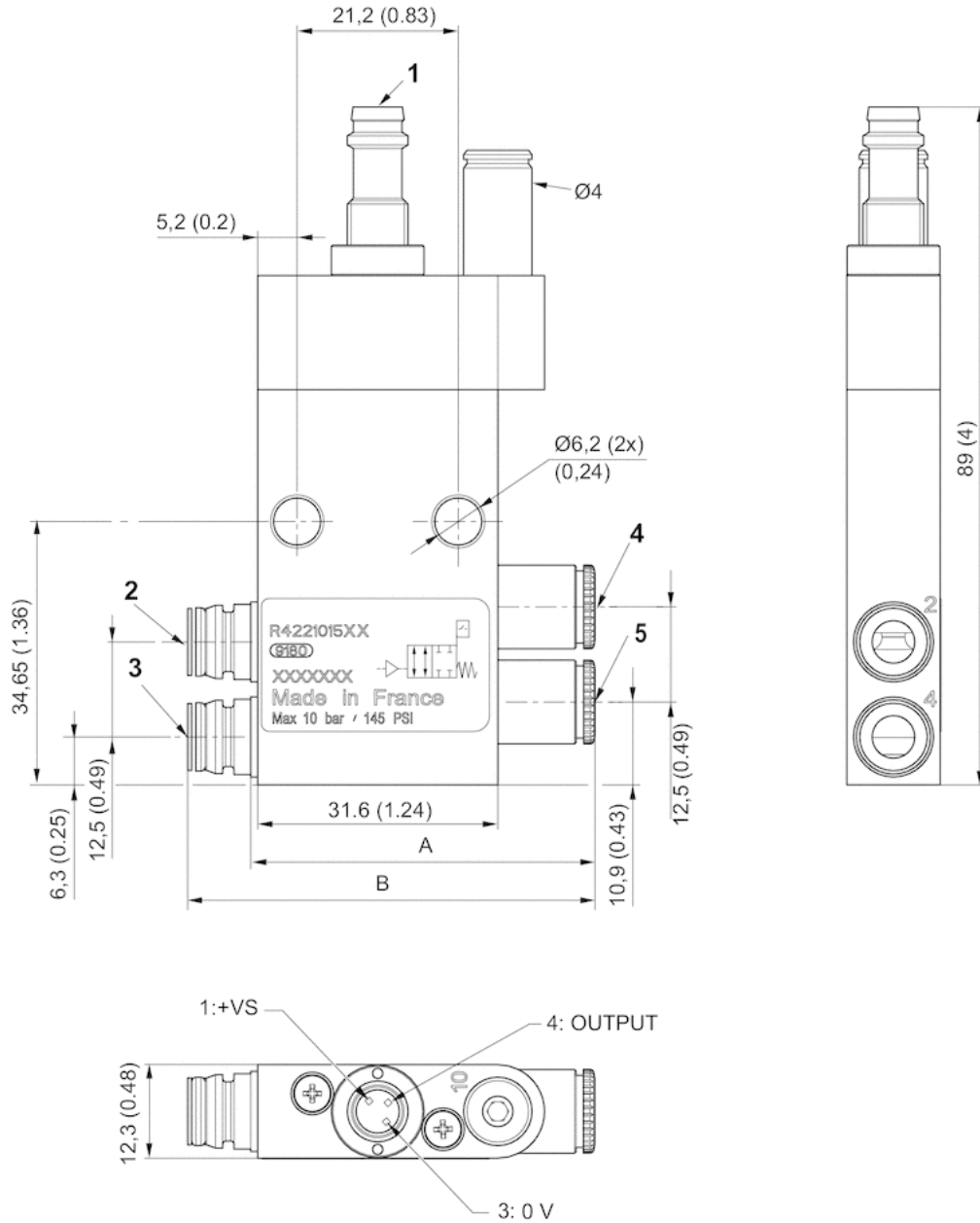
For push-in fittings, only use plug accessories made of plastic (polyamide) from our catalog.
 A duty cycle of 100% is only valid for valves mounted separately.
 In the non-actuated state, the sensor signal is "high"

Technical information

Material	
Housing	Aluminum
Seals	Nitrile butadiene rubber

Dimensions

Dimensions



1) Sensor plug M8, 3-pin electronic PNP

The orientation of the pins depends on the angular position of the sensor, which is random.

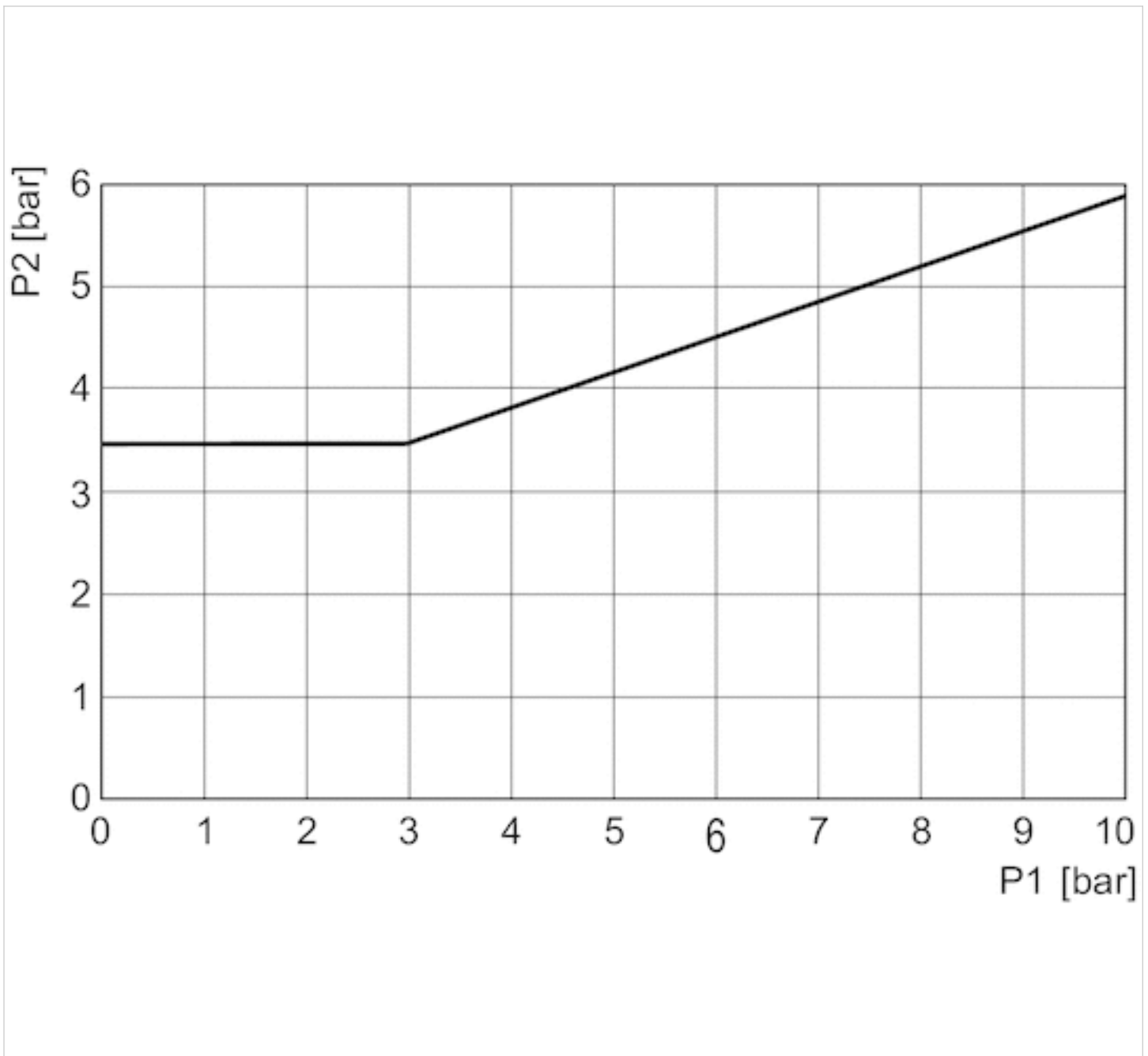
- 2) Connection 2, valve side
- 3) Connection 4, valve side
- 4) Operating line 2
- 5) Operating line 4

Dimensions

Part No.	A	B
R422101511	42±1	50±1
R422101510	45±1	54±1
R422101509	45±1	53±1

Diagrams

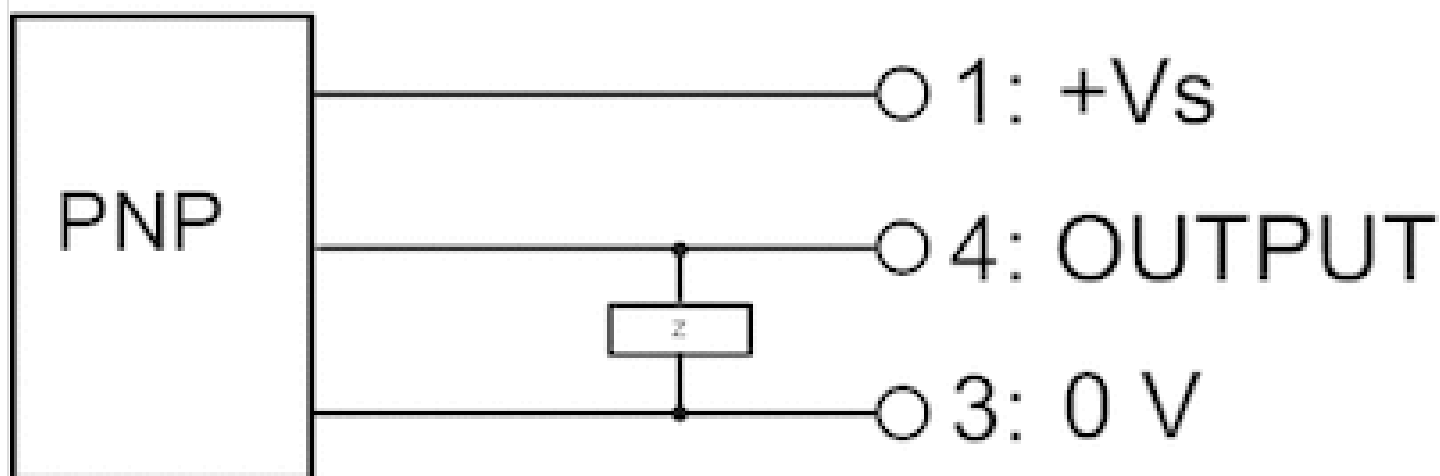
Minimum control pressure (depending on operating pressure)



p1 = pressure on connections 2 and 4, p2 = control pressure

Pin assignments

Sensor circuit diagram



Efficient pneumatic solutions, our program: cylinders and drives, valves and valve systems, air supply management



Visit us: [Emerson.com/Aventics](https://www.emerson.com/Aventics)

Your local contact: [Emerson.com/contactus](https://www.emerson.com/contactus)



Emerson.com



[Facebook.com/EmersonAutomationSolutions](https://www.facebook.com/EmersonAutomationSolutions)



[LinkedIn.com/company/Emerson-Automation-Solutions](https://www.linkedin.com/company/Emerson-Automation-Solutions)



[Twitter.com/EMR_Automation](https://twitter.com/EMR_Automation)

An example configuration is depicted on the title page. The delivered product may thus vary from that in the illustration. Subject to change. This Document, as well as the data, specifications and other information set forth in it, are the exclusive property of AVENTICS GmbH. It may not be reproduced or given to third parties without its consent. Only use the AVENTICS products shown in industrial applications. Read the product documentation completely and carefully before using the product. Observe the applicable regulations and laws of the respective country. When integrating the product into applications, note the system manufacturer's specifications for safe use of the product. The data specified only serve to describe the product. No statements concerning a certain condition or suitability for a certain application can be derived from our information. The information given does not release the user from the obligation of own judgment and verification. It must be remembered that the products are subject to a natural process of wear and aging.

The Emerson logo is a trademark and service mark of Emerson Electric Co. Brand logotype are registered trademarks of one of the Emerson family of companies. All other marks are the property of their respective owners. © 2017 Emerson Electric Co. All rights reserved.
2019-03



CONSIDER IT SOLVED™