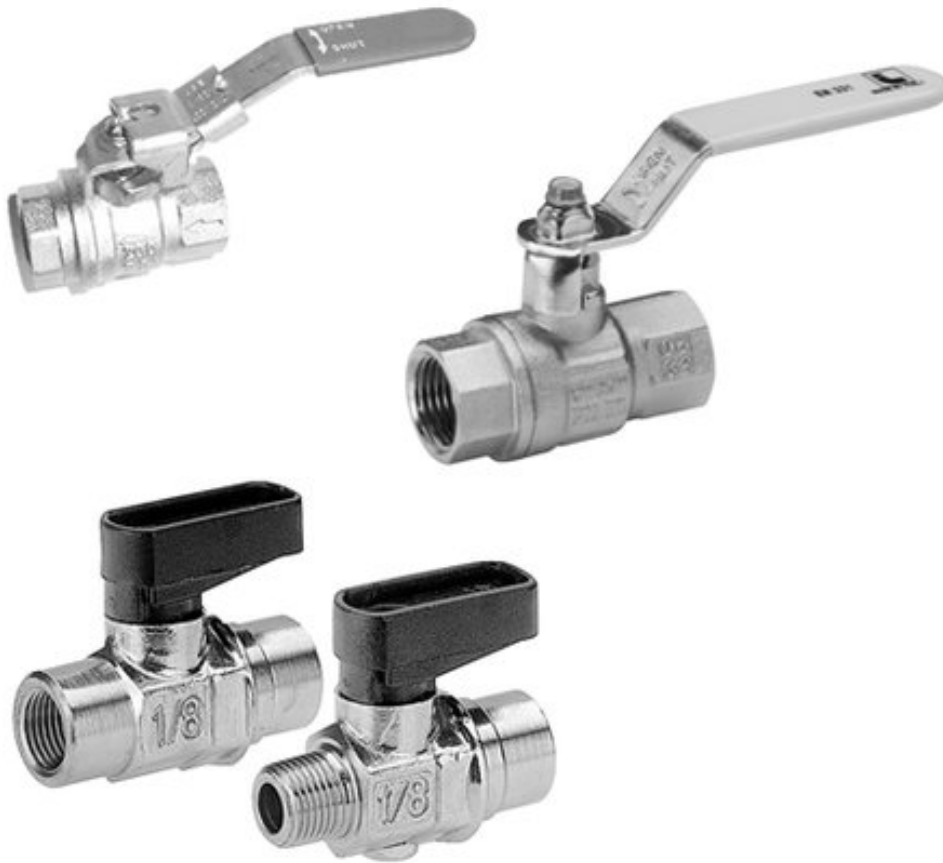


Series SC01



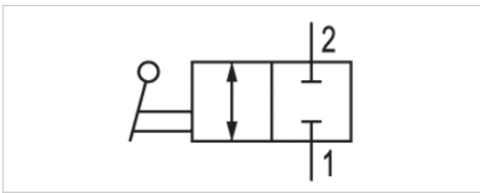
AVENTICS™ Series SC01



2/2-way stop valve, Series SC01



Version	Ball valve
Working pressure min./max.	0 ... 16 bar
Ambient temperature min./max.	-18 ... 80 °C
Medium temperature min./max.	-18 ... 80 °C
Medium	Compressed air
Weight	See table below



Technical data

Part No.	Port 1	Type	Port 2	Sealing material	Delivery unit	Weight
		Port 1				
1823391906	R 1/8	External thread	G 1/8	Polytetrafluorethylene	2 piece	0.035 kg
1823391907	R 1/4	External thread	G 1/4	Polytetrafluorethylene	2 piece	0.05 kg
1823391908	R 3/8	External thread	G 3/8	Polytetrafluorethylene	2 piece	0.065 kg
R412010091	R 1/2	External thread	G 1/2	Acrylonitrile butadiene rubber	2 piece	0.065 kg
1823391910	G 1/8	Internal thread	G 1/8	Polytetrafluorethylene	2 piece	0.035 kg
1823391911	G 1/4	Internal thread	G 1/4	Polytetrafluorethylene	2 piece	0.05 kg
1823391912	G 3/8	Internal thread	G 3/8	Polytetrafluorethylene	2 piece	0.065 kg

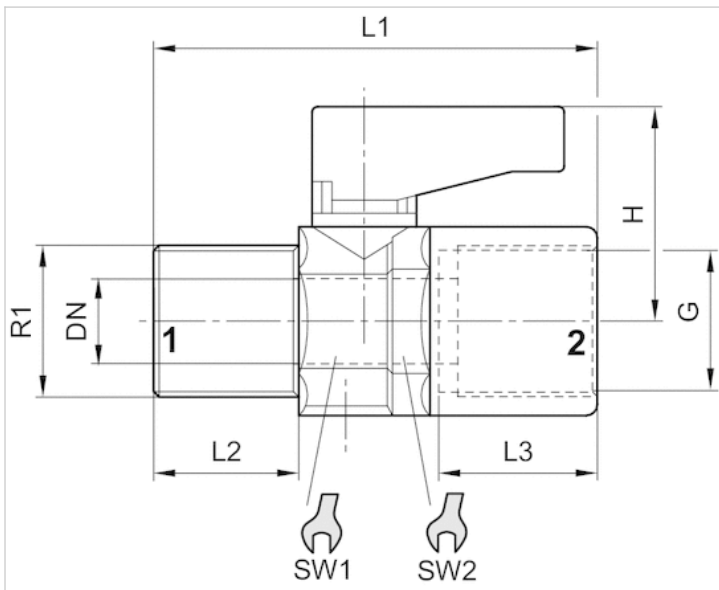
Part No.	Fig.
1823391906	Fig. 1
1823391907	Fig. 1
1823391908	Fig. 1
R412010091	Fig. 1
1823391910	Fig. 2
1823391911	Fig. 2
1823391912	Fig. 2

Technical information

Material	
Housing	Brass, nickel-plated
Seals	Polytetrafluorethylene Acrylonitrile butadiene rubber
Hand lever	Polyamide

Dimensions

Fig. 1

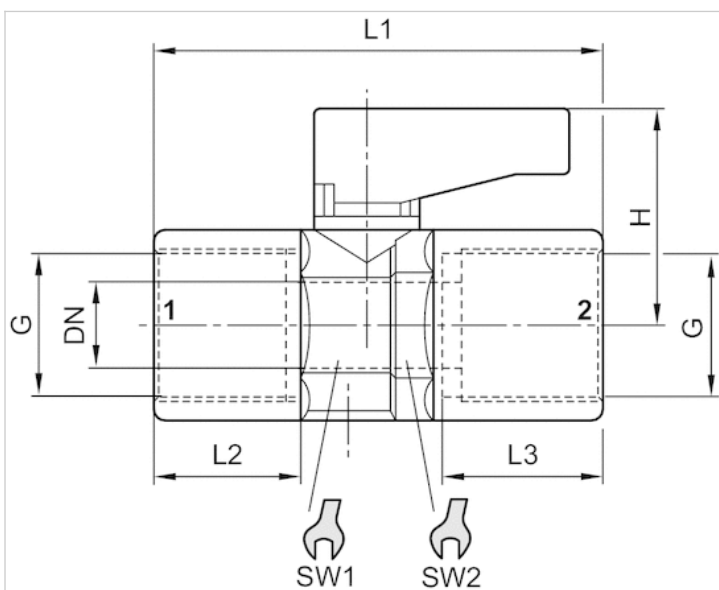


Dimensions

Part No.	Port G	R1	H	DN	L1	L2	L3	SW1	SW2
1823391906	R 1/8	R 1/8	21.5	5.5	36	8.6	8.6	14	15
1823391907	R 1/4	R 1/4	21.5	5.5	43	13.5	11.5	14	15
1823391908	R 3/8	R 3/8	22.5	8	46	13.5	11.8	18	19
R412010091	R 1/2	R1/2	30.5	10	57	16.5	15	22	23

Dimensions

Fig. 2



Dimensions

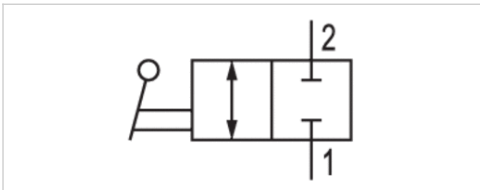
Part No.	Port G	H	DN	L1	L2	L3	SW1	SW2
1823391910	G 1/8	21.5	5.5	36	8.5	9	14	15
1823391911	G 1/4	21.5	5.5	43	12.6	11.5	14	15
1823391912	G 3/8	22.5	8	46	13	11.5	18	19

2/2-way stop valve, Series SC01

- Internal thread / Internal thread



Version	Ball valve
Working pressure min./max.	See table below
Ambient temperature min./max.	-20 ... 150 °C
Medium temperature min./max.	-20 ... 150 °C
Medium	Compressed air
Weight	See table below



Technical data

Part No.	Port 1	Port 2	Working pressure min./max.	Weight
3520321500	G 1/4	G 1/4	-0.8 ... 50 bar	0.14 kg
3520322500	G 3/8	G 3/8	-0.8 ... 50 bar	0.15 kg
3520323500	G 1/2	G 1/2	-0.8 ... 50 bar	0.22 kg
3520324500	G 3/4	G 3/4	-0.8 ... 40 bar	0.34 kg
3520325500	G 1	G 1	-0.8 ... 40 bar	0.48 kg
3520326500	G 1 1/4	G 1 1/4	-0.8 ... 30 bar	0.82 kg
3520327500	G 1 1/2	G 1 1/2	-0.8 ... 30 bar	1.29 kg
3520328500	G 2	G 2	-0.8 ... 25 bar	1.81 kg

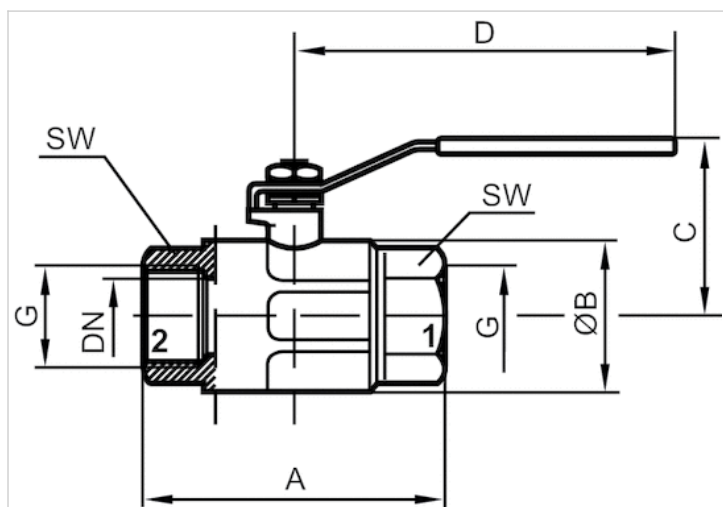
Nominal flow Q_n at 6 bar and $\Delta p = 1$ bar

Technical information

Material	
Housing	Brass, nickel-plated
Seals	Polytetrafluorethylene
Hand lever	Steel

Dimensions

Dimensions



Dimensions

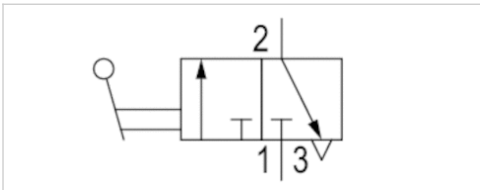
Part No.	Port G	DN	A	Ø B	C	D	SW
3520321500	G 1/4	10	49.5	23.5	41.5	85.5	18
3520322500	G 3/8	10	52.5	24	41.5	85.5	21
3520323500	G 1/2	15	61	30.5	49.8	92.5	25
3520324500	G 3/4	20	68	37	56.3	113.5	31
3520325500	G 1	25	85	45.5	60.3	113.5	38
3520326500	G 1 1/4	32	99.5	58	76.5	138	47
3520327500	G 1 1/2	40	109	71	92	158	54
3520328500	G 2	50	130	85	99	158	66

3/2-way stop valve, Series SC01

- Internal thread / Internal thread



Version	Ball valve
Working pressure min./max.	0 ... 14 bar
Ambient temperature min./max.	-10 ... 100 °C
Medium temperature min./max.	-10 ... 100 °C
Medium	Compressed air
Weight	See table below



Technical data

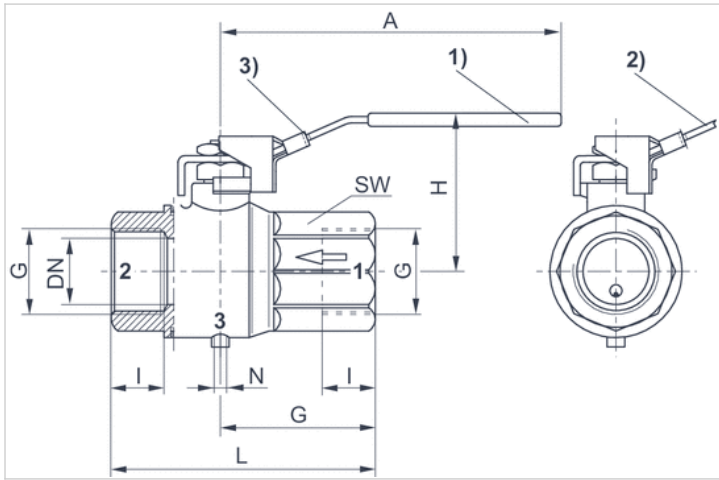
Part No.	Port 1	Port 2	Weight
R412010526	G 1/8	G 1/8	0.1 kg
R412010527	G 1/4	G 1/4	0.26 kg
R412010528	G 3/8	G 3/8	0.25 kg
R412010529	G 1/2	G 1/2	0.29 kg
R412010530	G 3/4	G 3/4	0.7 kg
R412010531	G 1	G 1	1.02 kg

Technical information

Material	
Housing	Brass, nickel-plated
Seals	Polytetrafluorethylene
Hand lever	Steel, Plastic sheathing, blue

Dimensions

Dimensions



- 1) Open
 - 2) Closed
 - 3) Fitting for padlock (max. bracket \varnothing 7 mm)
- Note: Can only be locked when closed!
 Padlock not included in the scope of delivery.

Dimensions

Part No.	Port G	DN	A	G	H	I	L	N	SW
R412010526	G 1/8	8	95.5	22.5	47	8	45	M5	20
R412010527	G 1/4	8	95.5	22.5	47	12	45	M5	20
R412010528	G 3/8	10	95.5	22.5	47	12	45	M5	20
R412010529	G 1/2	15	95.5	29.5	51.5	15.5	59	M5	25
R412010530	G 3/4	20	116	32	59	17	64	M5	31
R412010531	G 1	25	116	40.5	63	21	81	M5	40

3/4-way ball valve

- Internal thread



Version

Working pressure min./max.

Ambient temperature min./max.

Medium temperature min./max.

Medium

Ball valve

0 ... 14 bar

-10 ... 100 °C

-10 ... 100 °C

Compressed air

The delivered product varies from that in the illustration. See the drawing for an exact description.



Technical data

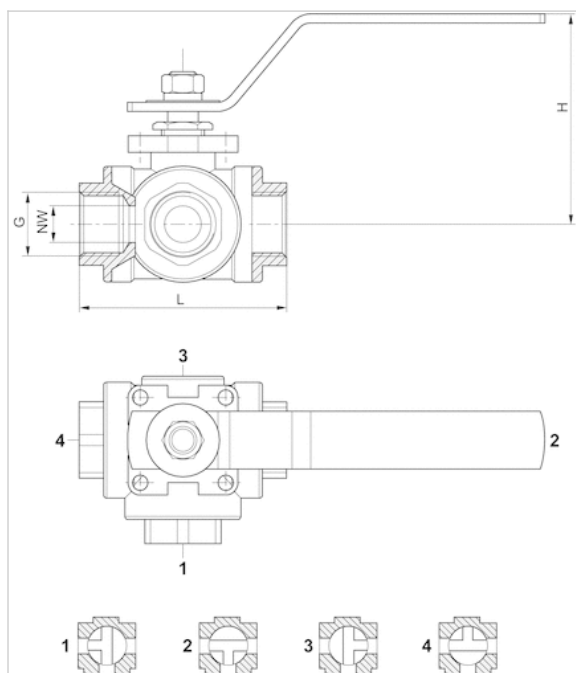
Part No.	Port 1
R412010722	G 1/4
R412010723	G 1/2

Technical information

Material	
Housing	Stainless steel
Seals	Polytetrafluorethylene
Hand lever	Stainless steel, Plastic sheathing, blue

Dimensions

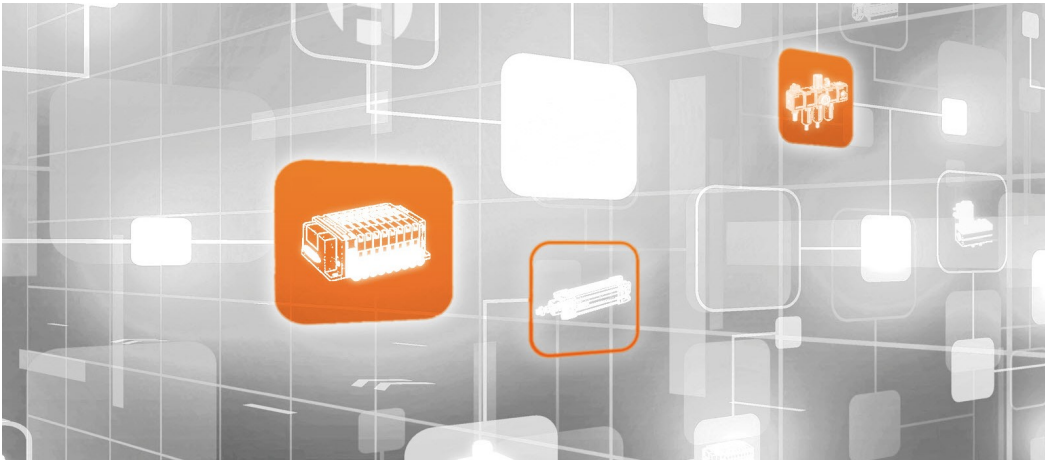
Dimensions



Dimensions

Part No.	Port G	G	NW	L	H
R412010722	G 1/4	G 1/4	8	79	63
R412010723	G 1/2	G 1/2	12	68	66

Efficient pneumatic solutions, our program: cylinders and drives, valves and valve systems, air supply management



Visit us: [Emerson.com/Aventics](https://www.emerson.com/Aventics)

Your local contact: [Emerson.com/contactus](https://www.emerson.com/contactus)



[Emerson.com](https://www.emerson.com)



[Facebook.com/EmersonAutomationSolutions](https://www.facebook.com/EmersonAutomationSolutions)



[LinkedIn.com/company/Emerson-Automation-Solutions](https://www.linkedin.com/company/Emerson-Automation-Solutions)



[Twitter.com/EMR_Automation](https://twitter.com/EMR_Automation)

An example configuration is depicted on the title page. The delivered product may thus vary from that in the illustration. Subject to change. This Document, as well as the data, specifications and other information set forth in it, are the exclusive property of AVENTICS GmbH. It may not be reproduced or given to third parties without its consent. Only use the AVENTICS products shown in industrial applications. Read the product documentation completely and carefully before using the product. Observe the applicable regulations and laws of the respective country. When integrating the product into applications, note the system manufacturer's specifications for safe use of the product. The data specified only serve to describe the product. No statements concerning a certain condition or suitability for a certain application can be derived from our information. The information given does not release the user from the obligation of own judgment and verification. It must be remembered that the products are subject to a natural process of wear and aging.

The Emerson logo is a trademark and service mark of Emerson Electric Co. Brand logotype are registered trademarks of one of the Emerson family of companies. All other marks are the property of their respective owners. © 2017 Emerson Electric Co. All rights reserved.
2019-03



CONSIDER IT SOLVED™