

## Series QR1



AVENTICS™ Series QR1

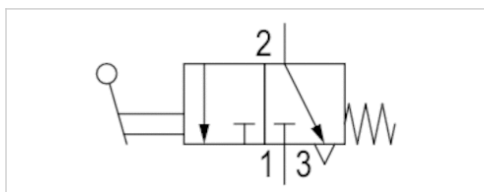


# Series QR1-ASG

- Qn = 500-550 l/min
- External thread / push-in fitting



Version	Poppet valve
Working pressure min./max.	0 ... 10 bar
Ambient temperature min./max.	0 ... 60 °C
Medium temperature min./max.	0 ... 60 °C
Medium	Compressed air
Weight	See table below



## Technical data

Part No.	Port 1	Port 2	Flow	Delivery unit	Weight
			Qn		
R412005459	G 1/8	Ø 6	500 l/min	5 piece	0.031 kg
R412005460	G 1/8	Ø 8	550 l/min	5 piece	0.032 kg
R412005461	G 1/4	Ø 6	500 l/min	5 piece	0.037 kg
R412005462	G 1/4	Ø 8	550 l/min	5 piece	0.038 kg

Nominal flow Qn at 6 bar and  $\Delta p = 1$  bar

## Technical information

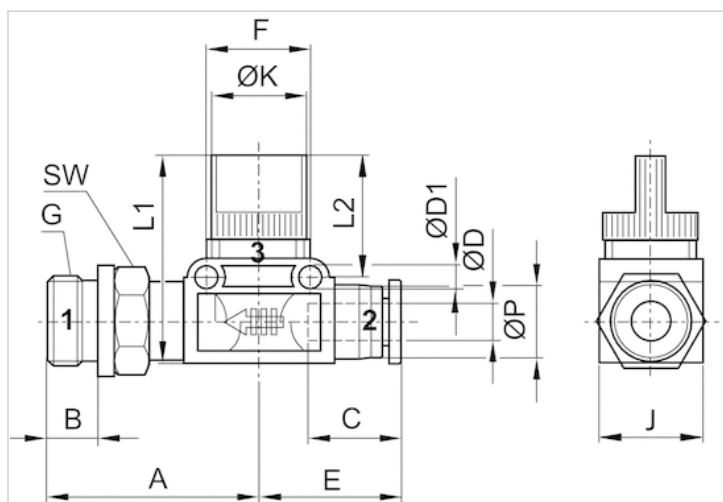
Versions with connection threads can be rotated by 360°.  
Flow direction: 2 to 1

## Technical information

Material	
Housing	Polybutyleneterephthalate
Seals	Acrylonitrile butadiene rubber
Hand lever	Polybutyleneterephthalate

## Dimensions

### Dimensions



## Dimensions

Part No.	Port G	Ø D	A	B	C	Ø D1	E	F	J	Ø K	L1	L2	SW	Ø P
R412005459	G 1/8	6	33.5	5	17	4.2	25.2	18.1	17.5	16.4	40.5	22	14	12.4
R412005460	G 1/8	8	33.5	5	18.5	4.2	27.7	18.1	17.5	16.4	40.5	22	14	14.4
R412005461	G 1/4	6	36.5	6	17	4.2	25.2	18.1	17.5	16.4	40.5	22	14	12.4
R412005462	G 1/4	8	36.5	6	18.5	4.2	27.7	18.1	17.5	16.4	40.5	22	14	14.4

## Series QR1-ASC

- Qn 1→2 = 500-1600 l/min

- push-in fitting / push-in fitting



Version

Working pressure min./max.

Ambient temperature min./max.

Medium temperature min./max.

Medium

Weight

Poppet valve

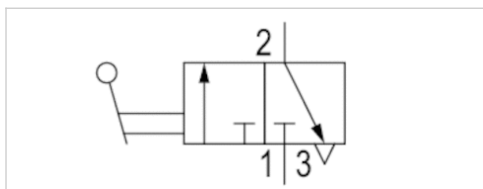
0 ... 10 bar

0 ... 60 °C

0 ... 60 °C

Compressed air

See table below



### Technical data

Part No.	Port 1	Port 2	Flow	Delivery unit	Weight
			Qn 1→2		
R412005482	Ø 6	Ø 6	500 l/min	5 piece	0.023 kg
R412005483	Ø 8	Ø 8	550 l/min	5 piece	0.025 kg
R412005484	Ø 10	Ø 10	1500 l/min	5 piece	0.043 kg
R412005485	Ø 12	Ø 12	1600 l/min	5 piece	0.047 kg

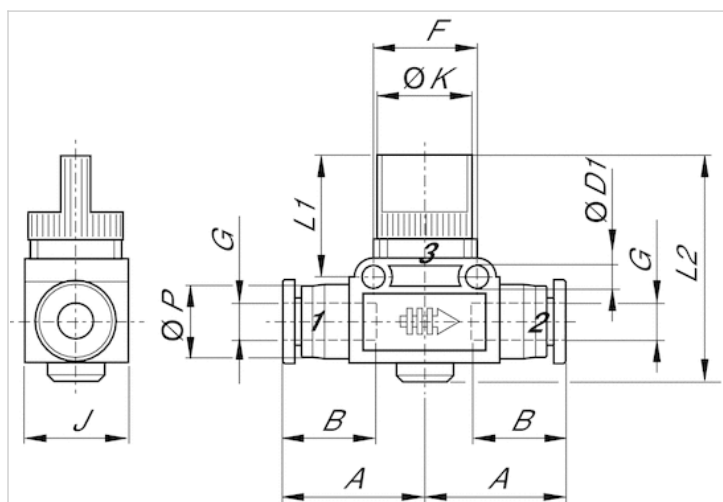
Nominal flow Qn at 6 bar and  $\Delta p = 1$  bar

### Technical information

Material	
Housing	Polybutyleneterephthalate
Seals	Acrylonitrile butadiene rubber
Hand lever	Polybutyleneterephthalate

## Dimensions

### Dimensions



## Dimensions

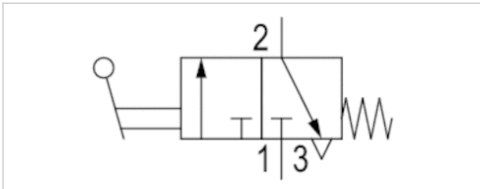
Part No.	Port G	A	B	Ø D1	F	L1	L2	J	Ø K	Ø P
R412005482	Ø 6	26.3	17.2	4.2	18.2	22	40.5	17.6	16.3	12.4
R412005483	Ø 8	27.5	18.3	4.2	18.2	22	40.5	17.6	16.3	14.4
R412005484	Ø 10	32.4	21	4.2	24	19	40.5	21.2	19.2	17.6
R412005485	Ø 12	34.9	23.5	4.2	24	19	40.5	21.2	19.2	21.2

# Series QR1-AGS

- Qn 1→2 = 500-1600 l/min
- External thread / push-in fitting



Version	Poppet valve
Working pressure min./max.	0 ... 10 bar
Ambient temperature min./max.	0 ... 60 °C
Medium temperature min./max.	0 ... 60 °C
Medium	Compressed air
Weight	See table below



## Technical data

Part No.	Port 1	Port 2	Flow	Delivery unit	Weight
			Qn 1→2		
R412005470	G 1/8	Ø 6	500 l/min	5 piece	0.032 kg
R412005471	G 1/8	Ø 8	550 l/min	5 piece	0.033 kg
R412005472	G 1/4	Ø 6	500 l/min	5 piece	0.039 kg
R412005473	G 1/4	Ø 8	550 l/min	5 piece	0.04 kg
R412005474	G 1/4	Ø 10	1500 l/min	5 piece	0.06 kg
R412005475	G 1/4	Ø 12	1600 l/min	5 piece	0.063 kg

Nominal flow Qn at 6 bar and  $\Delta p = 1$  bar

## Technical information

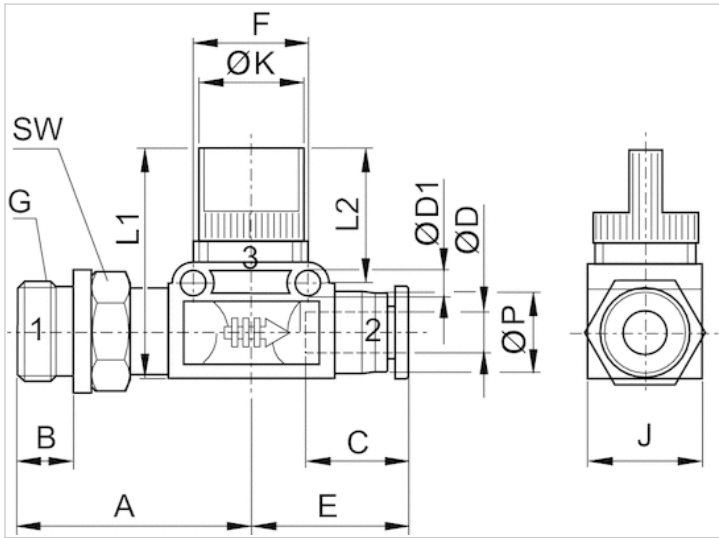
Versions with connection threads can be rotated by 360°.  
Flow direction: 1 to 2

## Technical information

Material	
Housing	Polybutyleneterephthalate
Seals	Acrylonitrile butadiene rubber
Hand lever	Polybutyleneterephthalate

## Dimensions

### Dimensions



### Dimensions

Part No.	Port G	Ø D	A	B	C	Ø D1	E	F	J	Ø K	L1	L2	SW	Ø P
R412005470	G 1/8	6	33.5	5	17	4.2	25.2	18.1	17.5	16.3	40.5	22	14	12.4
R412005471	G 1/8	8	33.5	5	18.5	4.2	27.7	18.1	17.5	16.3	40.5	22	14	14.4
R412005472	G 1/4	6	36.5	6	17	4.2	25.2	18.1	17.5	16.3	40.5	22	14	12.4
R412005473	G 1/4	8	36.5	6	18.5	4.2	27.7	18.1	17.5	16.3	40.5	22	14	14.4
R412005474	G 1/4	10	40.9	6	21	4.2	31.4	24.4	21	19.2	40.4	19.2	17	17.6
R412005475	G 1/4	12	40.9	6	22.5	4.2	34.2	24.4	21	19.2	40.4	19.2	17	21

# Ball valve, Series QR1-BSK

- Qn = 1000-2600 l/min

- push-in fitting / push-in fitting



Version

Working pressure min./max.

Ambient temperature min./max.

Medium temperature min./max.

Medium

Weight

Ball valve

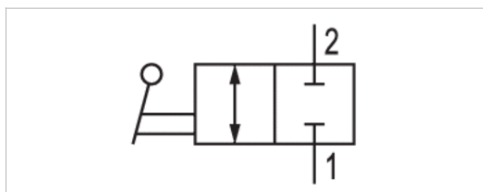
-0.95 ... 10 bar

0 ... 60 °C

0 ... 60 °C

Compressed air

See table below



## Technical data

Part No.	Port 1	Port 2	Flow	Delivery unit	Weight
			Qn		
R412005502	Ø 6	Ø 6	1000 l/min	5 piece	0.045 kg
R412005503	Ø 8	Ø 8	1550 l/min	5 piece	0.041 kg
R412005504	Ø 10	Ø 10	2500 l/min	5 piece	0.103 kg
R412005505	Ø 12	Ø 12	2600 l/min	5 piece	0.98 kg

Nominal flow Qn at 6 bar and  $\Delta p = 1$  bar

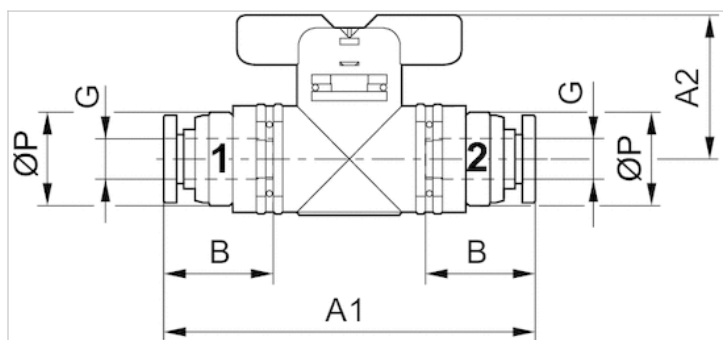
## Technical information

Material	
Housing	Polybutyleneterephthalate
Seals	Acrylonitrile butadiene rubber
Hand lever	Polybutyleneterephthalate



## Dimensions

### Dimensions



## Dimensions

Part No.	Port G	A1	A2	B	Ø P
R412005502	Ø 6	59.4	23	17	17
R412005503	Ø 8	59.2	23	18.5	17
R412005504	Ø 10	78.3	28	21	24
R412005505	Ø 12	79.3	28	22	24

# Ball valve, Series QR1-BSK

- Qn = 220 l/min

- push-in fitting / External thread



Version

Working pressure min./max.

Ambient temperature min./max.

Medium temperature min./max.

Medium

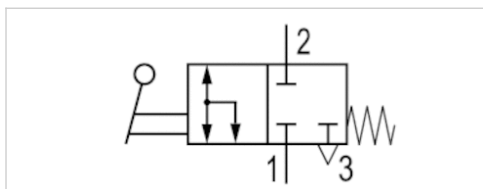
Ball valve

0 ... 10 bar

0 ... 60 °C

0 ... 60 °C

Compressed air



## Technical data

Part No.	Port 1	Port 2	Flow	Delivery unit
			Qn	
R414010278	Ø 6	M7x1 M12x1,25	220 l/min	1 piece

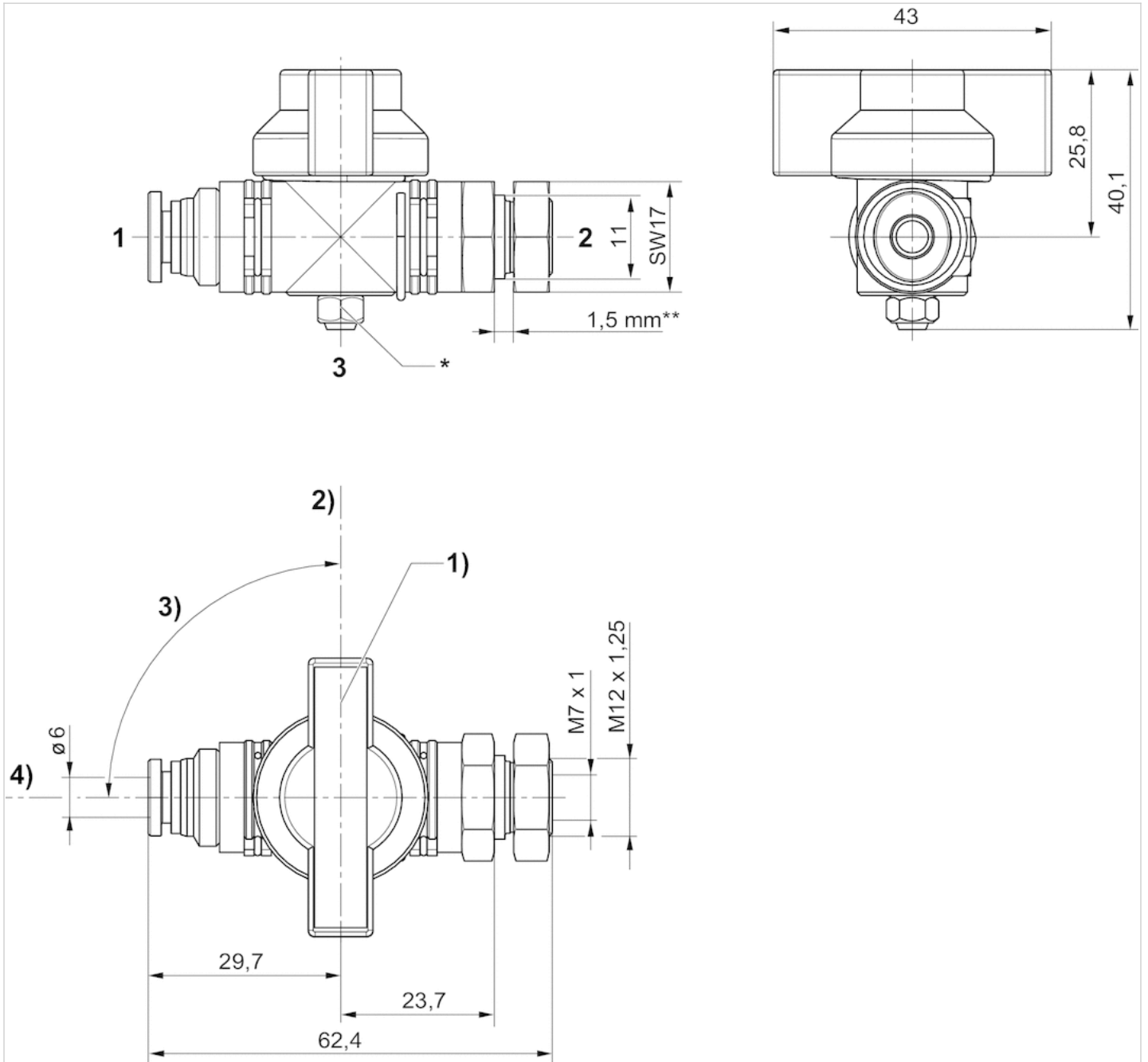
Nominal flow Qn at 6 bar and  $\Delta p = 1$  bar

## Technical information

Material	
Housing	Polybutyleneterephthalate
Seals	Acrylonitrile butadiene rubber
Hand lever	Polyamide

## Dimensions

### Dimensions



\* Exhaust M5

\*\* Min. collar dimensions for mounting

1) Lever position with closed valve

2) Closed

3) Stop at 90°

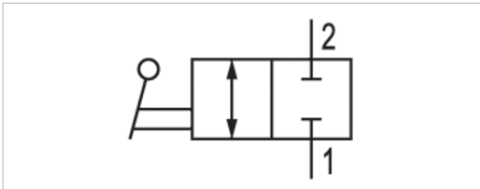
4) Open

# Ball valve, Series QR1-BGS

- Qn = 1300-2600 l/min
- External thread / push-in fitting



Version	Ball valve
Working pressure min./max.	-0.95 ... 10 bar
Ambient temperature min./max.	0 ... 60 °C
Medium temperature min./max.	0 ... 60 °C
Medium	Compressed air
Weight	See table below



## Technical data

Part No.	Port 1	Port 2	Flow	Delivery unit	Weight
			Qn		
R412005490	G 1/8	Ø 6	1300 l/min	5 piece	0.056 kg
R412005493	G 1/4	Ø 8	1550 l/min	5 piece	0.057 kg
R412005494	G 1/4	Ø 10	2300 l/min	5 piece	0.13 kg
R412005495	G 1/4	Ø 12	2300 l/min	5 piece	0.128 kg
R412005498	G 3/8	Ø 10	2600 l/min	5 piece	0.133 kg
R412005501	G 1/2	Ø 12	2600 l/min	5 piece	0.148 kg

Nominal flow Qn at 6 bar and  $\Delta p = 1$  bar

## Technical information

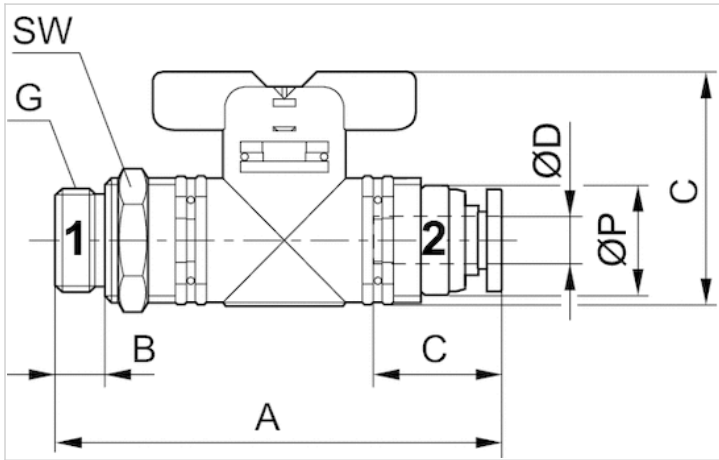
Versions with connection threads can be rotated by 360°.

## Technical information

Material	
Housing	Polybutyleneterephthalate
Seals	Acrylonitrile butadiene rubber
Hand lever	Polybutyleneterephthalate

## Dimensions

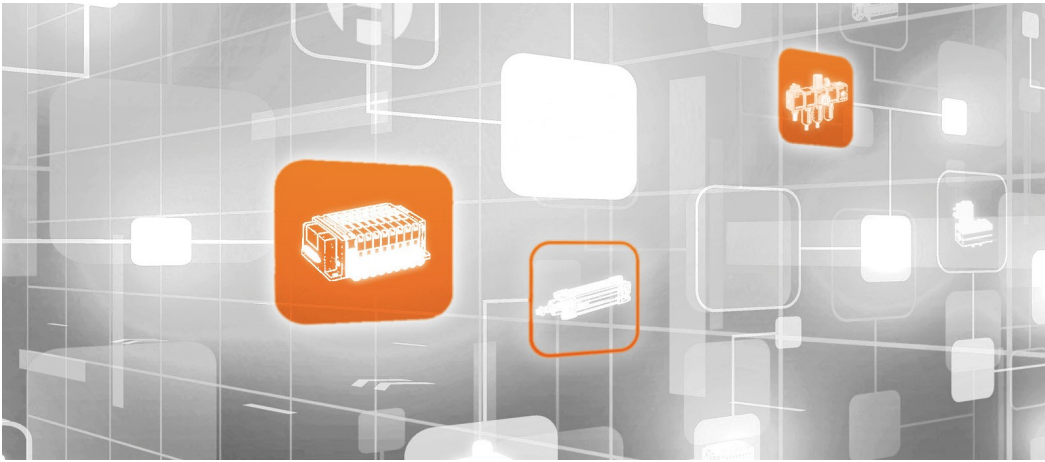
### Dimensions



## Dimensions

Part No.	Port G	Ø D	A	B	C	E	SW	Ø P
R412005490	G 1/8	6	60.4	5	17	23	17	17
R412005493	G 1/4	8	63.3	6	18.5	23	17	17
R412005494	G 1/4	10	82.4	6	21	28	24	24
R412005495	G 1/4	12	82.9	6	22	28	24	24
R412005498	G 3/8	10	83.4	7	21	28	24	24
R412005501	G 1/2	12	87.9	8.5	22	28	24	24

# Efficient pneumatic solutions, our program: cylinders and drives, valves and valve systems, air supply management



Visit us: [Emerson.com/Aventics](https://www.emerson.com/Aventics)

Your local contact: [Emerson.com/contactus](https://www.emerson.com/contactus)



Emerson.com



[Facebook.com/EmersonAutomationSolutions](https://www.facebook.com/EmersonAutomationSolutions)



[LinkedIn.com/company/Emerson-Automation-Solutions](https://www.linkedin.com/company/Emerson-Automation-Solutions)



[Twitter.com/EMR\\_Automation](https://twitter.com/EMR_Automation)

An example configuration is depicted on the title page. The delivered product may thus vary from that in the illustration. Subject to change. This Document, as well as the data, specifications and other information set forth in it, are the exclusive property of AVENTICS GmbH. It may not be reproduced or given to third parties without its consent. Only use the AVENTICS products shown in industrial applications. Read the product documentation completely and carefully before using the product. Observe the applicable regulations and laws of the respective country. When integrating the product into applications, note the system manufacturer's specifications for safe use of the product. The data specified only serve to describe the product. No statements concerning a certain condition or suitability for a certain application can be derived from our information. The information given does not release the user from the obligation of own judgment and verification. It must be remembered that the products are subject to a natural process of wear and aging.

The Emerson logo is a trademark and service mark of Emerson Electric Co. Brand logotype are registered trademarks of one of the Emerson family of companies. All other marks are the property of their respective owners. © 2017 Emerson Electric Co. All rights reserved.  
2019-03



## CONSIDER IT SOLVED™