

## Series PVP1

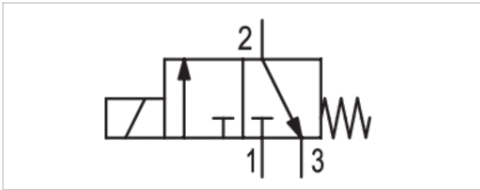


AVENTICS™ Series PVP1



# 3/2 Micro solenoid valve, series PVP1

- Ø 8.2 mm ■ 24 V DC
- 3/2
- NC
- Electrical connection : 2-pin



Version	Poppet valve
Activation	Electrically
Sealing principle	Soft sealing
Standards	ISO 8573-1: class 6
Working pressure min./max.	3 ... 8 bar
Ambient temperature min./max.	-10 ... 60 °C
Medium temperature min./max.	-10 ... 60 °C
Medium	Neutral gases Compressed air
Max. particle size	5 µm
Oil content of compressed air	0 ... 5 mg/m <sup>3</sup>
Nominal flow 1 ► 2	11 l/min
Nominal flow 2 ► 3	14 l/min
Protection class with connection	IP00
Duty cycle	100 %
Typ. switch-on time	12 ms
Weight	0.005 kg
Comment	Orifice size 1->2 Ø 0.5 mm , Orifice size 2->3 Ø 0.7 mm

## Technical data

Part No.		Operational voltage	Voltage tolerance	Power consumption	Delivery unit
		DC	DC	DC	
R422103884	NC	24 V	-10% / +10%	1.2 W	50 piece
R422103885	NC	24 V	-10% / +10%	1.2 W	500 piece

## Technical information

The min. control pressure must be adhered to, since otherwise faulty switching and valve failure may result!

The pressure dew point must be at least 15 °C under ambient and medium temperature and may not exceed 3 °C .

The oil content of compressed air must remain constant during the life cycle.

Use only the approved oils from AVENTICS. Further information can be found in the "Technical information" document (available in the MediaCentre).

Voltage can be reduced from 24 VDC to 22 VDC for long duty cycle and will reduce power consumption from 1.2 W to 1 W.

Minimum current for keeping permanent switched on position: 15 mA.

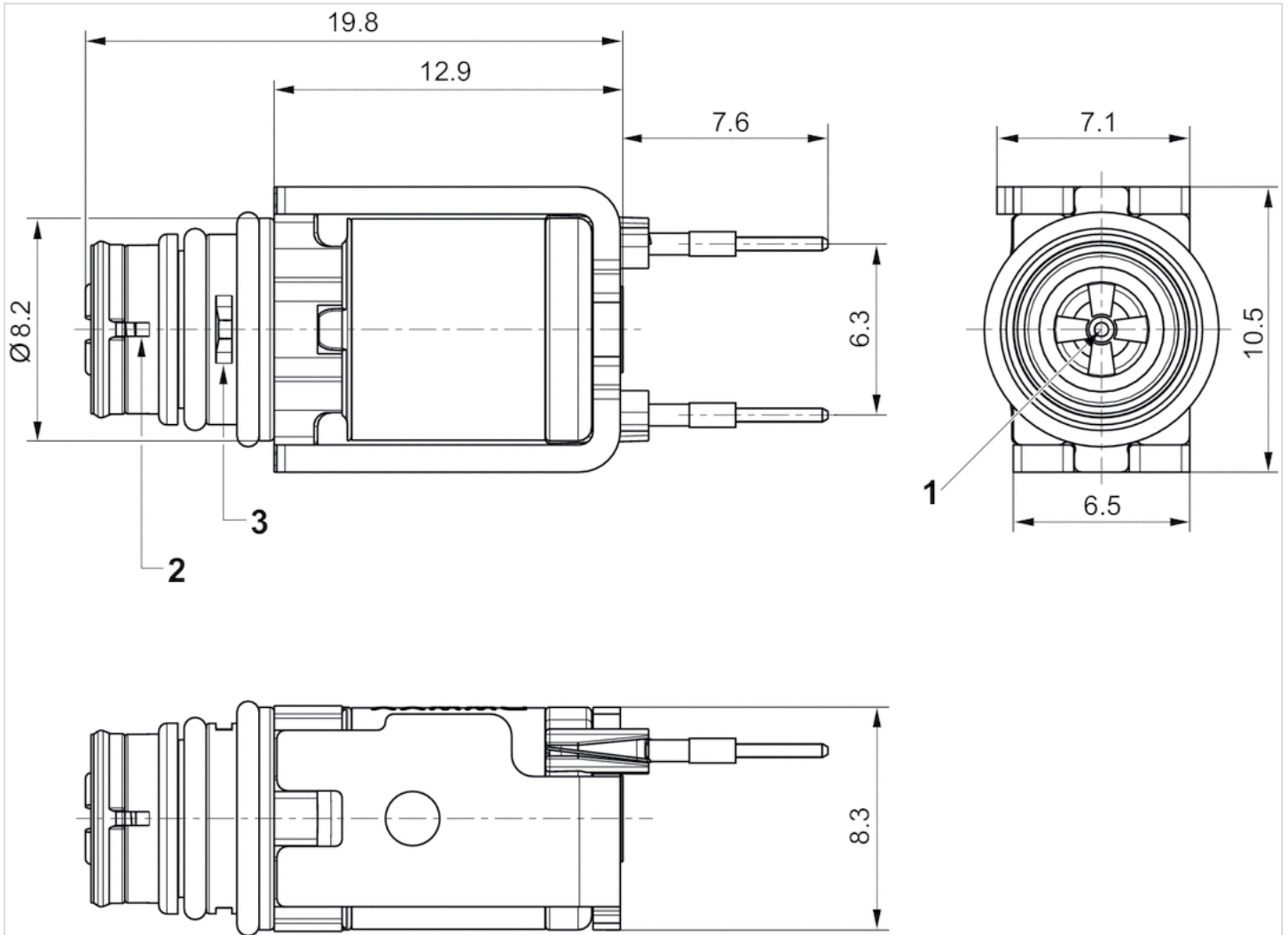
Nominal flow Q<sub>n</sub> at 6 bar input pressure and atmospheric output pressure

Contact your nearest AVENTICS sales office for installation dimensions.

Please contact your nearest AVENTICS sales office for current availability.

## Dimensions

### Dimensions



- 1) Port 1 (Input)
- 2) Port 2 (Working pressure)
- 3) Port 3 (Exhaust)

# Efficient pneumatic solutions, our program: cylinders and drives, valves and valve systems, air supply management



Visit us: [Emerson.com/Aventics](https://www.emerson.com/Aventics)

Your local contact: [Emerson.com/contactus](https://www.emerson.com/contactus)



[Emerson.com](https://www.emerson.com)



[Facebook.com/EmersonAutomationSolutions](https://www.facebook.com/EmersonAutomationSolutions)



[LinkedIn.com/company/Emerson-Automation-Solutions](https://www.linkedin.com/company/Emerson-Automation-Solutions)



[Twitter.com/EMR\\_Automation](https://twitter.com/EMR_Automation)

An example configuration is depicted on the title page. The delivered product may thus vary from that in the illustration. Subject to change. This Document, as well as the data, specifications and other information set forth in it, are the exclusive property of AVENTICS GmbH. It may not be reproduced or given to third parties without its consent. Only use the AVENTICS products shown in industrial applications. Read the product documentation completely and carefully before using the product. Observe the applicable regulations and laws of the respective country. When integrating the product into applications, note the system manufacturer's specifications for safe use of the product. The data specified only serve to describe the product. No statements concerning a certain condition or suitability for a certain application can be derived from our information. The information given does not release the user from the obligation of own judgment and verification. It must be remembered that the products are subject to a natural process of wear and aging.

The Emerson logo is a trademark and service mark of Emerson Electric Co. Brand logotype are registered trademarks of one of the Emerson family of companies. All other marks are the property of their respective owners. © 2017 Emerson Electric Co. All rights reserved.  
2019-03



**CONSIDER IT SOLVED™**