

Series NR01



AVENTICS™ Series NR01

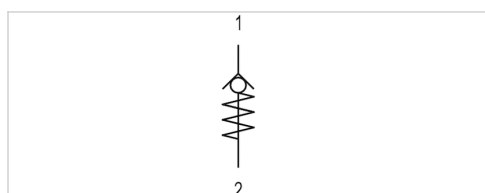


Non-return valve, Series NR01

- $Q_n 1 \rightarrow 2 = 40\text{-}3500 \text{ l/min}$
- thread-in
- Internal thread
- M5 G 1/8 G 1/4 G 1/2
- External thread
- M5 G 1/8 G 1/4 G 1/2



Version	Poppet valve
Working pressure min./max.	0.2 ... 10 bar
Ambient temperature min./max.	-10 ... 70 °C
Medium temperature min./max.	-10 ... 70 °C
Medium	Compressed air
Weight	See table below



Technical data

Part No.	Port 1	Port 2	Flow	Weight	Fig.
			$Q_n 1 \rightarrow 2$		
0821003005	M5	M5	40 l/min	0.006 kg	Fig. 1
0821003001	G 1/8	G 1/8	920 l/min	0.02 kg	Fig. 2
0821003002	G 1/4	G 1/4	1600 l/min	0.04 kg	Fig. 2
0821003003	G 1/2	G 1/2	3500 l/min	0.09 kg	Fig. 2

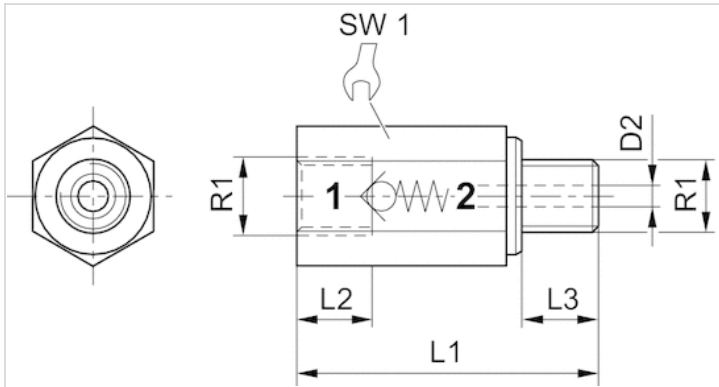
Nominal flow Q_n at 6 bar and $\Delta p = 1 \text{ bar}$

Technical information

Material	
Housing	Brass, nickel-plated
Seals	Acrylonitrile butadiene rubber

Dimensions

Fig. 1

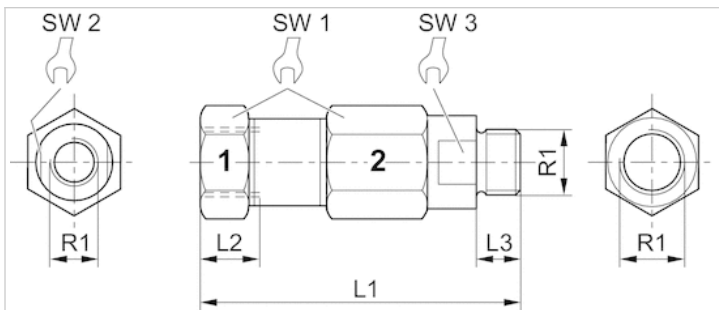


Dimensions

Part No.	R1	L1	L2	L3	D2	SW1
0821003005	M5	20	5	5	2	8

Dimensions

Fig. 2

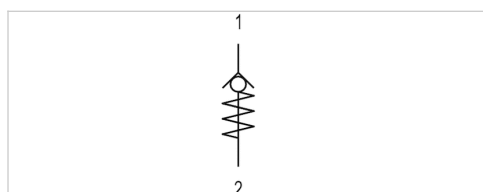


Dimensions

Part No.	R1	L1	L2	L3	SW1	SW2	SW3
0821003001	G 1/8	53	8	6	-	14	14
0821003002	G 1/4	66	12	9	19	-	17
0821003003	G 1/2	81	21	12	27	-	24

Non-return valve, Series NR01

- $Q_n 1 \rightarrow 2 = 190\text{-}5100 \text{ l/min}$
- thread-in
- push-in fitting
- $\varnothing 4 \varnothing 6 \varnothing 8 \varnothing 12 \varnothing 14$
- External thread
- M5 G 1/8 G 1/4 G 1/2



Version	Poppet valve
Working pressure min./max.	0.2 ... 10 bar
Ambient temperature min./max.	-10 ... 70 °C
Medium temperature min./max.	-10 ... 70 °C
Medium	Compressed air
Weight	See table below

Technical data

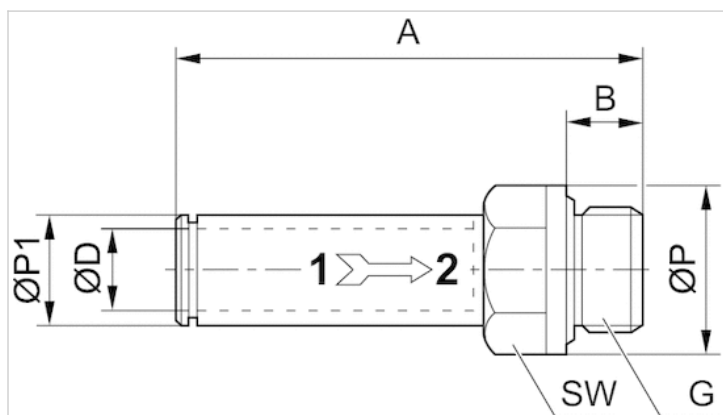
Part No.	Port 1	Port 2	Flow	Delivery unit	Weight
			$Q_n 1 \rightarrow 2$		
1823373103	$\varnothing 4$	M5	190 l/min	10 piece	0.012 kg
1823373104	$\varnothing 4$	G 1/8	250 l/min	10 piece	0.015 kg
1823373105	$\varnothing 6$	G 1/8	530 l/min	10 piece	0.021 kg
1823373106	$\varnothing 6$	G 1/4	530 l/min	5 piece	0.028 kg
1823373107	$\varnothing 8$	G 1/8	810 l/min	5 piece	0.025 kg
1823373108	$\varnothing 8$	G 1/4	950 l/min	2 piece	0.031 kg
1823373111	$\varnothing 12$	G 1/2	4300 l/min	1 piece	0.073 kg
1823373112	$\varnothing 14$	G 1/2	5100 l/min	1 piece	0.092 kg

Nominal flow Q_n at 6 bar and $\Delta p = 1$ bar

Technical information

Material	
Housing	Brass, nickel-plated
Seals	Acrylonitrile butadiene rubber

Dimensions



Dimensions

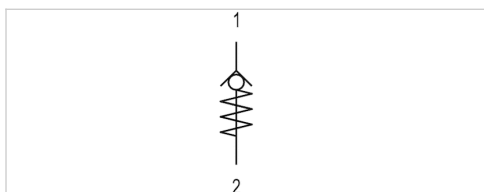
Part No.	G	Ø D	A	B	Ø P	Ø P1	SW
1823373103	M5	4	35	4	9	8	9
1823373104	G 1/8	4	28.5	6	10	13	11
1823373105	G 1/8	6	35	6	12	13	13
1823373106	G 1/4	6	37	8	12	16	14
1823373107	G 1/8	8	36	6	14	13	15
1823373108	G 1/4	8	37	8	14	16	16
1823373111	G 1/2	12	44	10	19	25	22
1823373112	G 1/2	14	50.5	-	22	25	25

Non-return valve, Series NR01

- Qn 1►2 = 195-975 l/min
- push-in fitting
- Ø 4 Ø 6 Ø 8
- push-in fitting
- Ø 4 Ø 6 Ø 8



Version	Poppet valve
Working pressure min./max.	0.2 ... 10 bar
Ambient temperature min./max.	-20 ... 70 °C
Medium temperature min./max.	-20 ... 70 °C
Medium	Compressed air
Weight	See table below



Technical data

Part No.	Port 1	Port 2	Flow	Weight
			Qn 1►2	
0821003020	Ø 4	Ø 4	195 l/min	0.017 kg
0821003021	Ø 6	Ø 6	495 l/min	0.023 kg
0821003022	Ø 8	Ø 8	975 l/min	0.033 kg

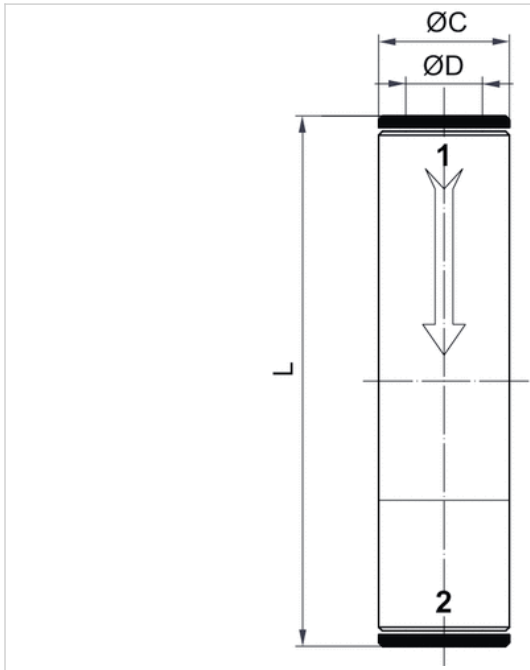
Nominal flow Qn at 6 bar and $\Delta p = 1$ bar

Technical information

Material	
Housing	Brass, nickel-plated
Seals	Acrylonitrile butadiene rubber

Dimensions

Dimensions



Dimensions

Part No.	ØD	ØC	L
0821003020	4	9	44.5
0821003021	6	11	50
0821003022	8	13	53.5

Non-return valve, Series NR01

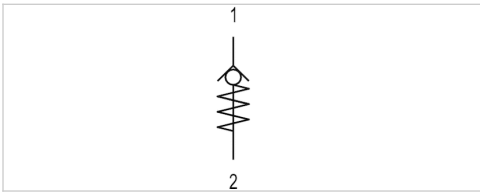
- Qn 1►2 = 230-6200 l/min
- installing in piping
- Internal thread
- G 1/8 G 1/4 G 3/8 G 1/2 G 3/4
- Internal thread
- G 1/8 G 1/4 G 3/8 G 1/2 G 3/4



Version
Working pressure min./max.
Ambient temperature min./max.
Medium temperature min./max.
Medium
Weight

Poppet valve
0.5 ... 15 bar
-10 ... 60 °C
-10 ... 60 °C
Compressed air
See table below

The delivered product varies from that in the illustration. See the drawing for an exact description.



Technical data

Part No.	Port 1	Port 2	Flow	Weight	Fig.
			Qn 1►2		
5340981000	G 1/8	G 1/8	230 l/min	0.037 kg	Fig. 1
5340981100	G 1/4	G 1/4	1050 l/min	0.168 kg	Fig. 2
5340981200	G 3/8	G 3/8	1650 l/min	0.263 kg	Fig. 2
5340981300	G 1/2	G 1/2	2200 l/min	0.283 kg	Fig. 3
5340981400	G 3/4	G 3/4	6200 l/min	0.38 kg	Fig. 2

Nominal flow Qn at 6 bar and $\Delta p = 1$ bar

Technical information

Material	
Housing	Brass
Seals	Acrylonitrile butadiene rubber

Dimensions

Fig. 1

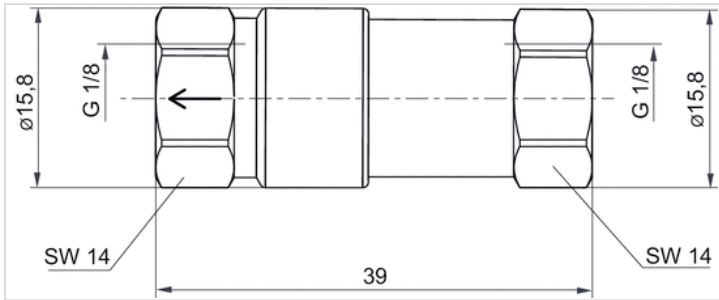


Fig. 2

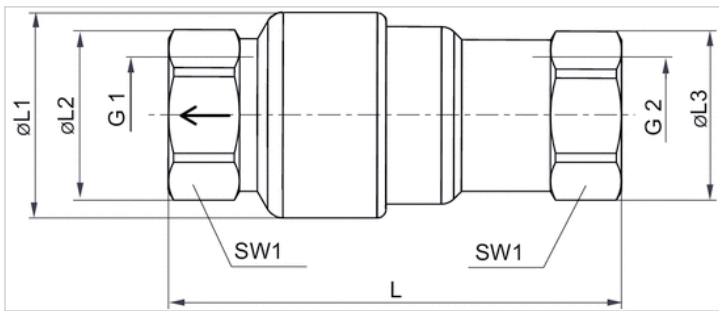
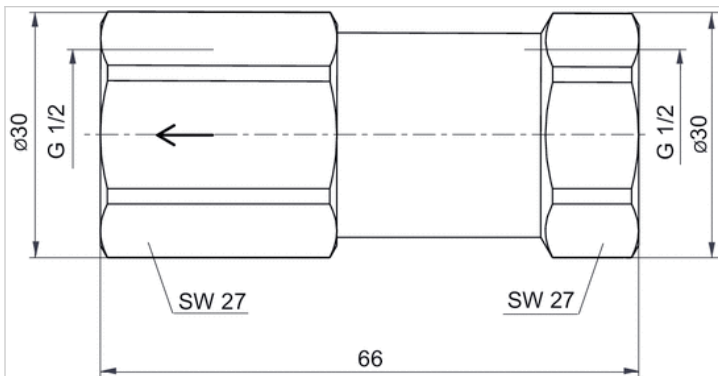


Fig. 3



Dimensions

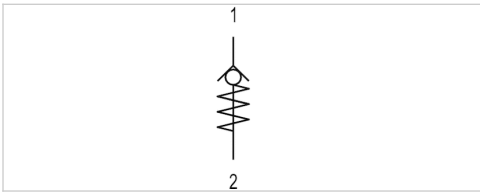
G1	G2	L	L1	L2	L3	SW1
G 1/4	G 1/4	51	23	19	19	17
G 3/8	G 3/8	59.5	29	24.5	24.5	22
G 3/4	G 3/4	77.5	39	35.8	35.8	32

Non-return valve, Series NR01

- Qn 1►2 = 920-3500 l/min
- thread-in
- Internal thread
- G 1/8 G 1/4 G 1/2
- External thread
- G 1/8 G 1/4 G 1/2



Version	Poppet valve
Working pressure min./max.	0.2 ... 10 bar
Ambient temperature min./max.	0 ... 150 °C
Medium temperature min./max.	0 ... 150 °C
Medium	Compressed air
Weight	See table below



Technical data

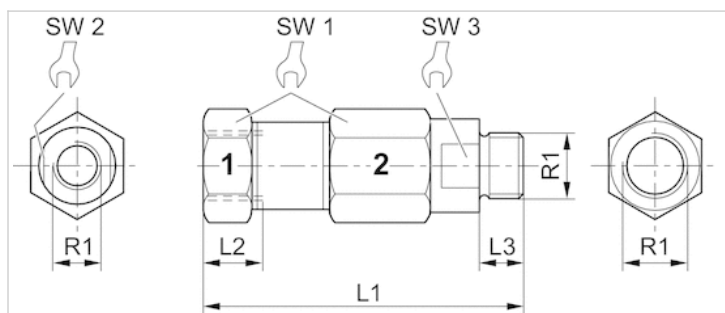
Part No.	Port 1	Port 2	Flow	Weight
			Qn 1►2	
0821003004	G 1/8	G 1/8	920 l/min	0.02 kg
0821003017	G 1/4	G 1/4	1600 l/min	0.04 kg
0821003018	G 1/2	G 1/2	3500 l/min	0.09 kg

Nominal flow Qn at 6 bar and $\Delta p = 1$ bar

Technical information

Material	
Housing	Brass, nickel-plated
Seals	Fluorocaoutchouc

Dimensions



Dimensions

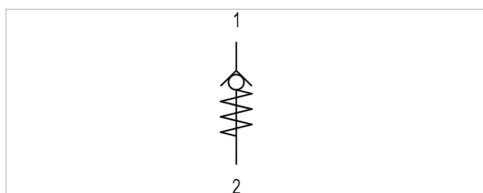
Part No.	R1	L1	L2	L3	SW1	SW2	SW3
0821003004	G 1/8	53	8	6	-	14	14
0821003017	G 1/4	66	12	9	19	-	17
0821003018	G 1/2	81	21	12	27	-	24

Non-return valve, Series NR01

- $Q_n 1 \rightarrow 2 = 7350-7950 \text{ l/min}$
- installing in piping
- Internal thread
- G 3/4 G 1
- Internal thread
- G 3/4 G 1



Version	Poppet valve
Working pressure min./max.	0.1 ... 10 bar
Ambient temperature min./max.	0 ... 60 °C
Medium temperature min./max.	0 ... 60 °C
Medium	Compressed air
Weight	0.4 kg



Technical data

Part No.	Port 1	Port 2	Flow
			$Q_n 1 \rightarrow 2$
0821003007	G 3/4	G 3/4	7350 l/min
0821003008	G 1	G 1	7950 l/min

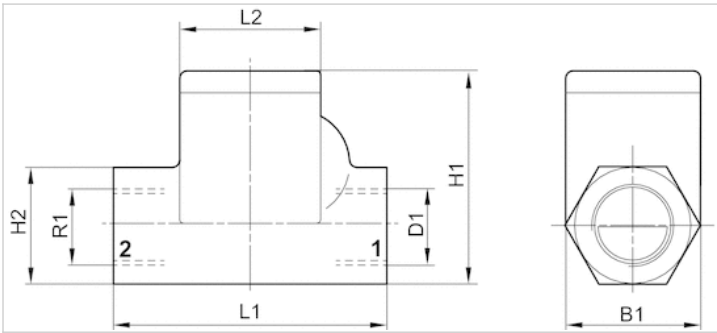
Nominal flow Q_n at 6 bar and $\Delta p = 1 \text{ bar}$

Technical information

Material	
Housing	Aluminum chill casting
Seals	Acrylonitrile butadiene rubber

Dimensions

Dimensions



Dimensions

Part No.	R1	D1	B1	H1	H2	L1	L2
0821003007	G 3/4	G 3/4	50	74	41	100	51
0821003008	G 1	G 1	50	74	41	100	51

Efficient pneumatic solutions, our program: cylinders and drives, valves and valve systems, air supply management



Visit us: [Emerson.com/Aventics](https://www.emerson.com/Aventics)

Your local contact: [Emerson.com/contactus](https://www.emerson.com/contactus)



Emerson.com



[Facebook.com/EmersonAutomationSolutions](https://www.facebook.com/EmersonAutomationSolutions)



[LinkedIn.com/company/Emerson-Automation-Solutions](https://www.linkedin.com/company/Emerson-Automation-Solutions)



[Twitter.com/EMR_Automation](https://twitter.com/EMR_Automation)

An example configuration is depicted on the title page. The delivered product may thus vary from that in the illustration. Subject to change. This Document, as well as the data, specifications and other information set forth in it, are the exclusive property of AVENTICS GmbH. It may not be reproduced or given to third parties without its consent. Only use the AVENTICS products shown in industrial applications. Read the product documentation completely and carefully before using the product. Observe the applicable regulations and laws of the respective country. When integrating the product into applications, note the system manufacturer's specifications for safe use of the product. The data specified only serve to describe the product. No statements concerning a certain condition or suitability for a certain application can be derived from our information. The information given does not release the user from the obligation of own judgment and verification. It must be remembered that the products are subject to a natural process of wear and aging.

The Emerson logo is a trademark and service mark of Emerson Electric Co. Brand logotype are registered trademarks of one of the Emerson family of companies. All other marks are the property of their respective owners. © 2017 Emerson Electric Co. All rights reserved.
2019-03



CONSIDER IT SOLVED™