

Series ML



AVENTICS™ Series ML

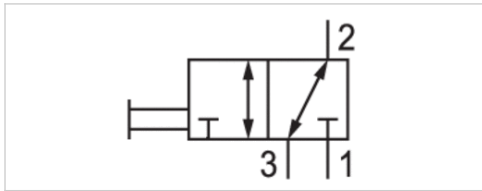


3/2-way manual spool valve, Series ML

- Qn = 750-3200 l/min
- External thread / External thread



Version	Spool valve
Working pressure min./max.	0 ... 10 bar
Ambient temperature min./max.	0 ... 80 °C
Medium temperature min./max.	0 ... 80 °C
Medium	Compressed air
Weight	See table below



Technical data

Part No.	Port 1	Port 2	Flow	Weight
			Qn	
0820402007	G 1/8	G 1/8	750 l/min	0.09 kg
0820405001	G 1/4	G 1/4	1300 l/min	0.16 kg
0820406001	G 3/8	G 3/8	1900 l/min	0.22 kg
0820407001	G 1/2	G 1/2	3200 l/min	0.35 kg

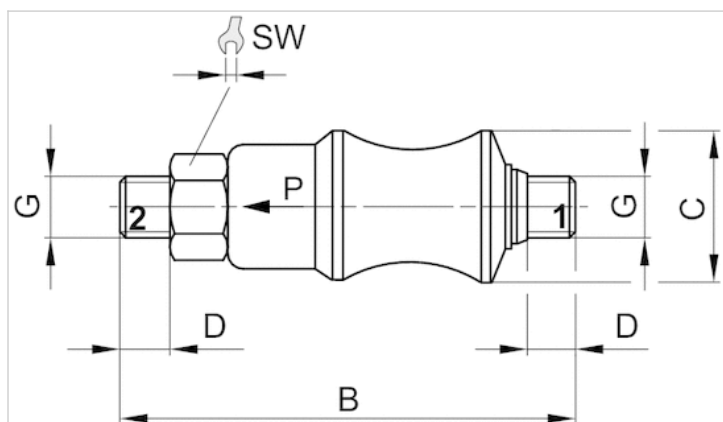
Nominal flow Qn at 6 bar and $\Delta p = 1$ bar

Technical information

Material	
Housing	Brass
Seals	Acrylonitrile butadiene rubber

Dimensions

Dimensions



Dimensions

Part No.	Port G	B	Ø C	D	SW
0820402007	G 1/8	72	26	8	14
0820405001	G 1/4	81	32	10	19
0820406001	G 3/8	85	37	10	22
0820407001	G 1/2	98	44	12	27

Efficient pneumatic solutions, our program: cylinders and drives, valves and valve systems, air supply management



Visit us: [Emerson.com/Aventics](https://www.emerson.com/Aventics)

Your local contact: [Emerson.com/contactus](https://www.emerson.com/contactus)



Emerson.com



[Facebook.com/EmersonAutomationSolutions](https://www.facebook.com/EmersonAutomationSolutions)



[LinkedIn.com/company/Emerson-Automation-Solutions](https://www.linkedin.com/company/Emerson-Automation-Solutions)



[Twitter.com/EMR_Automation](https://twitter.com/EMR_Automation)

An example configuration is depicted on the title page. The delivered product may thus vary from that in the illustration. Subject to change. This Document, as well as the data, specifications and other information set forth in it, are the exclusive property of AVENTICS GmbH. It may not be reproduced or given to third parties without its consent. Only use the AVENTICS products shown in industrial applications. Read the product documentation completely and carefully before using the product. Observe the applicable regulations and laws of the respective country. When integrating the product into applications, note the system manufacturer's specifications for safe use of the product. The data specified only serve to describe the product. No statements concerning a certain condition or suitability for a certain application can be derived from our information. The information given does not release the user from the obligation of own judgment and verification. It must be remembered that the products are subject to a natural process of wear and aging.

The Emerson logo is a trademark and service mark of Emerson Electric Co. Brand logotype are registered trademarks of one of the Emerson family of companies. All other marks are the property of their respective owners. © 2017 Emerson Electric Co. All rights reserved.
2019-03



CONSIDER IT SOLVED™