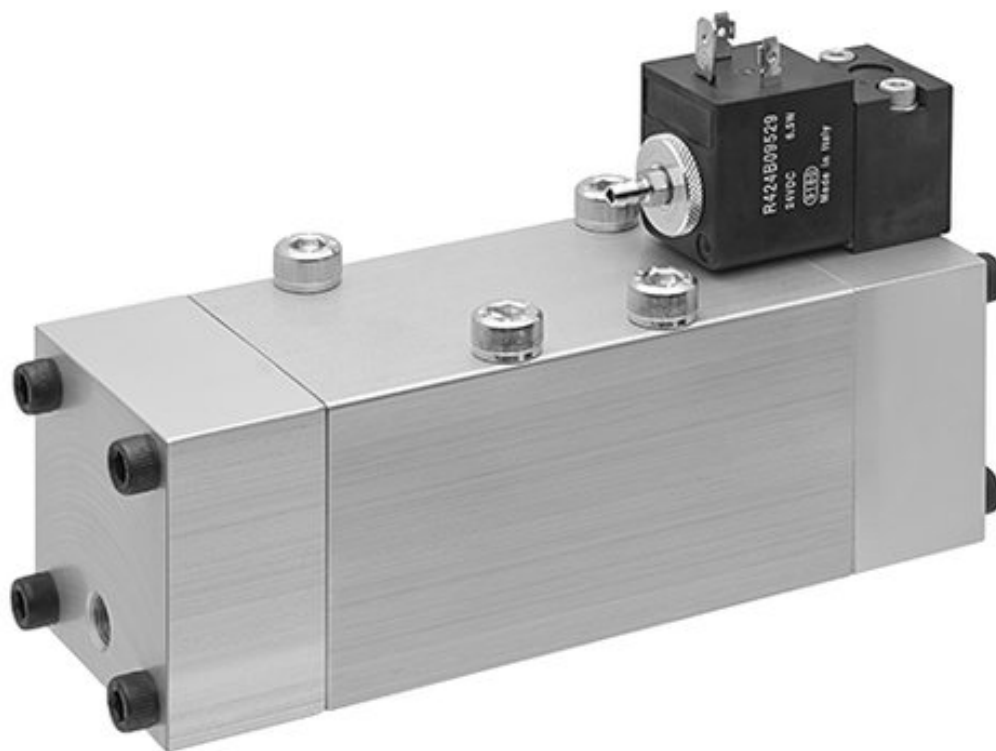


## Series HV30



AVENTICS™ Series HV30

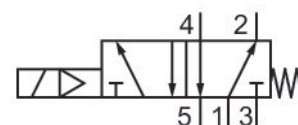
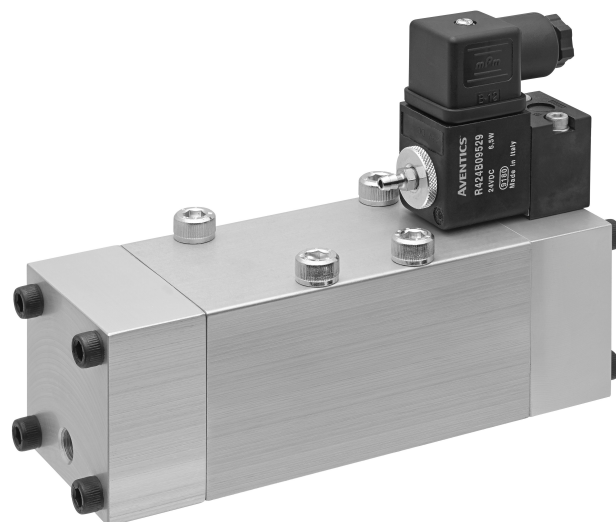


# 5/2-directional valve, Series HV30

## R424B11120

### General series information Series HV30

- The AVENTICS Series HV30 complies with the valve standard ISO 5599-1. Due to the level of flow and robustness, especially on high ambient temperatures, HV30 is the perfect valve for Aluminium applications.



## Technical data

Industry  
Industrial

Activation  
Electrically

Nominal flow Q<sub>n</sub>  
4300 l/min

Switching principle  
5/2

Working pressure min.  
3.5 bar

Working pressure max  
9 bar

DC operating voltage  
24 V

Pilot valve width  
30x22 mm CNOMO

Valve type  
Poppet valve

Voltage tolerance DC  
-10% / +10%

Electrical connection type  
Plug

Electrical connection size  
EN 175301-803, form A

Sealing principle  
Soft Seal

Pilot  
Internal

Standards  
ISO 5599-1

Frame size  
ISO 3

Connection type  
Plate connection

## Blocking principle

Single base plate principle

Control pressure min.

3.5 bar

Control pressure max.

9 bar

Min. ambient temperature

10 °C

Max. ambient temperature

120 °C

Min. medium temperature

10 °C

Max. medium temperature

120 °C

Medium

Compressed air

Max. particle size

50 µm

Oil content of compressed air min.

0 mg/m<sup>3</sup>

Oil content of compressed air max.

5 mg/m<sup>3</sup>

Power consumption DC

6.7 W

Duty cycle

100 %

Typ. switch-on time

50 ms

Typ. switch-off time

80 ms

Pilot valve width

30x22 mm CNOMO

Protection class with connection

IP65

Mounting screw tightening torque

11 Nm

Weight

1.73 kg

Housing material

Aluminum

Seal material

Acrylonitrile butadiene rubber

Part No.

R424B11120

## Technical information

Max. ambient temperature: +180 °C at 1 hour continuous operation and up to +200 °C at 15 hours standby operation

At an ambient temperature of over 120 °C, the duty cycle is reduced by 50%.

Scope of delivery: incl. valve plug connector and pilot valve

Nominal flow Q<sub>n</sub> at 6 bar and  $\Delta p = 1$  bar

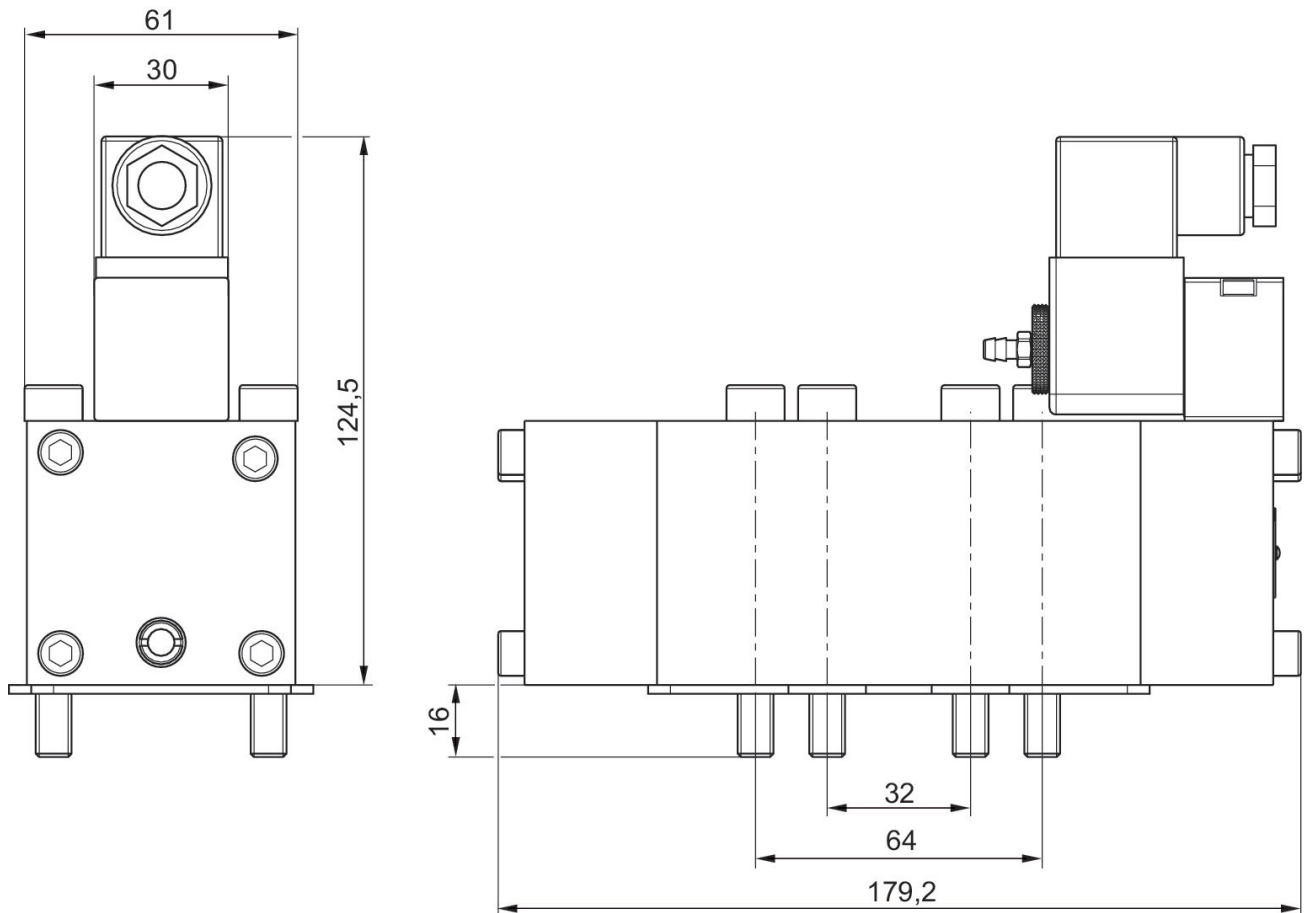
The min. control pressure must be adhered to, since otherwise faulty switching and valve failure may result!

The pressure dew point must be at least 15 °C under ambient and medium temperature and may not exceed 3 °C .

The oil content of compressed air must remain constant during the life cycle.

Use only the approved oils from AVENTICS. Further information can be found in the "Technical information" document (available in <https://www.emerson.com/en-us/support>).

Dimensions in mm

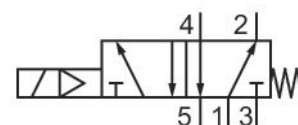
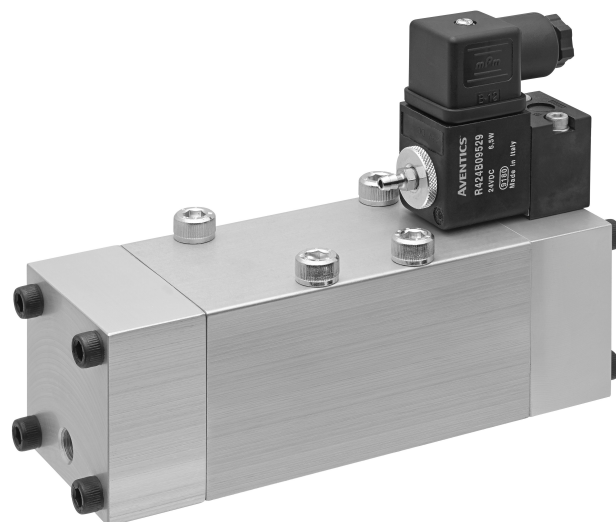


# 5/2-directional valve, Series HV30

## R424B11927

### General series information Series HV30

- The AVENTICS Series HV30 complies with the valve standard ISO 5599-1. Due to the level of flow and robustness, especially on high ambient temperatures, HV30 is the perfect valve for Aluminium applications.



## Technical data

Industry  
Industrial

Activation  
Electrically

Nominal flow Q<sub>n</sub>  
4300 l/min

Switching principle  
5/2

Working pressure min.  
3.5 bar

Working pressure max  
9 bar

Operational voltage AC at 50 Hz  
110 V

Operational voltage AC at 60 Hz  
110 V

Pilot valve width  
30x22 mm CNOMO

Voltage tolerance AC 50 Hz  
-10% / +10%

Voltage tolerance AC 60 Hz  
-10% / +10%

Electrical connection type  
Plug

Electrical connection size  
EN 175301-803, form A

Sealing principle  
Soft Seal

Pilot  
Internal

Standards  
ISO 5599-1

Valve type  
Poppet valve

Frame size  
ISO 3

Connection type  
Plate connection

Control pressure min.  
3.5 bar

Control pressure max.  
9 bar

Min. ambient temperature  
10 °C

Max. ambient temperature  
120 °C

Min. medium temperature  
10 °C

Holding power AC 50 Hz  
4.2 VA

Holding power AC 60 Hz  
4.2 VA

Switch-on power AC 50 Hz  
5 VA

Switch-on power AC 60 Hz  
5 VA

Pilot valve width  
30x22 mm CNOMO

Protection class with connection  
IP65

Housing material  
Aluminum

Seal material  
Acrylonitrile butadiene rubber

Blocking principle  
Single base plate principle

Max. medium temperature  
120 °C

Medium  
Compressed air

Max. particle size  
50 µm

Oil content of compressed air min.  
0 mg/m<sup>3</sup>

Oil content of compressed air max.  
5 mg/m<sup>3</sup>

Duty cycle  
100 %

Typ. switch-on time  
50 ms

Typ. switch-off time  
80 ms

Mounting screw tightening torque  
11 Nm

Weight  
1.73 kg

Part No.  
R424B11927

## Technical information

Max. ambient temperature: +180 °C at 1 hour continuous operation and up to +200 °C at 15 hours standby operation

At an ambient temperature of over 120 °C, the duty cycle is reduced by 50%.

Scope of delivery: incl. valve plug connector and pilot valve

Nominal flow  $Q_n$  at 6 bar and  $\Delta p = 1$  bar

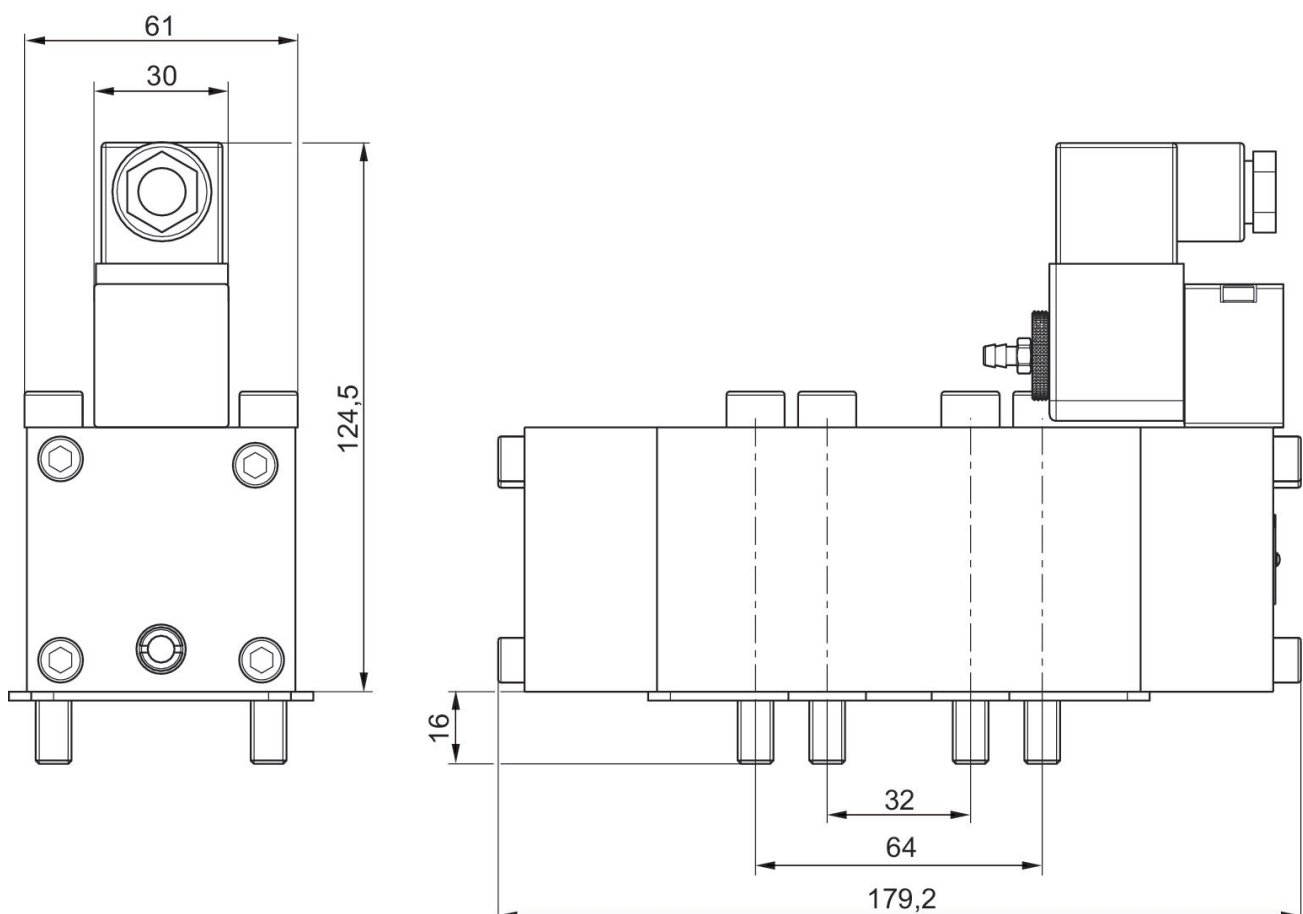
The min. control pressure must be adhered to, since otherwise faulty switching and valve failure may result!

The pressure dew point must be at least 15 °C under ambient and medium temperature and may not exceed 3 °C .

The oil content of compressed air must remain constant during the life cycle.

Use only the approved oils from AVENTICS. Further information can be found in the "Technical information" document (available in <https://www.emerson.com/en-us/support>).

## Dimensions in mm

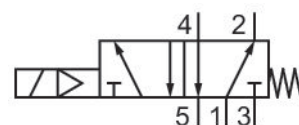
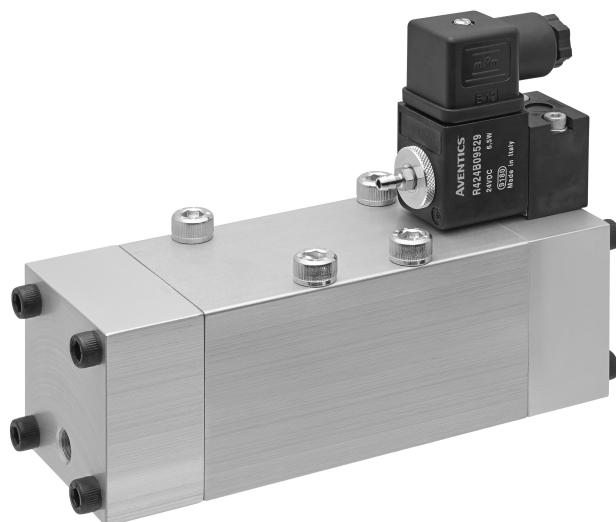


# 5/2-directional valve, Series HV30

## R424B11848

### General series information Series HV30

- The AVENTICS Series HV30 complies with the valve standard ISO 5599-1. Due to the level of flow and robustness, especially on high ambient temperatures, HV30 is the perfect valve for Aluminium applications.



### Technical data

Industry  
Industrial

Activation  
Electrically

Nominal flow Qn  
4300 l/min

Switching principle  
5/2

Working pressure min.  
3.5 bar

Working pressure max  
9 bar

Operational voltage AC at 50 Hz  
230 V

Operational voltage AC at 60 Hz  
230 V

Pilot valve width  
30x22 mm CNOMO

Voltage tolerance AC 50 Hz  
-10% / +10%

Voltage tolerance AC 60 Hz  
-10% / +10%

Electrical connection type  
Plug

Electrical connection size  
EN 175301-803, form A

Sealing principle  
Soft Seal

Pilot  
Internal

Standards  
ISO 5599-1

Valve type  
Poppet valve



Frame size  
ISO 3

Connection type  
Plate connection

Control pressure min.  
3.5 bar

Control pressure max.  
9 bar

Min. ambient temperature  
10 °C

Max. ambient temperature  
120 °C

Min. medium temperature  
10 °C

Holding power AC 50 Hz  
4.2 VA

Holding power AC 60 Hz  
4.2 VA

Switch-on power AC 50 Hz  
5 VA

Switch-on power AC 60 Hz  
5 VA

Pilot valve width  
30x22 mm CNOMO

Protection class with connection  
IP65

Housing material  
Aluminum

Seal material  
Acrylonitrile butadiene rubber

Blocking principle  
Single base plate principle

Max. medium temperature  
120 °C

Medium  
Compressed air

Max. particle size  
50 µm

Oil content of compressed air min.  
0 mg/m<sup>3</sup>

Oil content of compressed air max.  
5 mg/m<sup>3</sup>

Duty cycle  
100 %

Typ. switch-on time  
50 ms

Typ. switch-off time  
80 ms

Mounting screw tightening torque  
11 Nm

Weight  
1.73 kg

Part No.  
R424B11848

## Technical information

Max. ambient temperature: +180 °C at 1 hour continuous operation and up to +200 °C at 15 hours standby operation

At an ambient temperature of over 120 °C, the duty cycle is reduced by 50%.

Scope of delivery: incl. valve plug connector and pilot valve

Nominal flow  $Q_n$  at 6 bar and  $\Delta p = 1$  bar

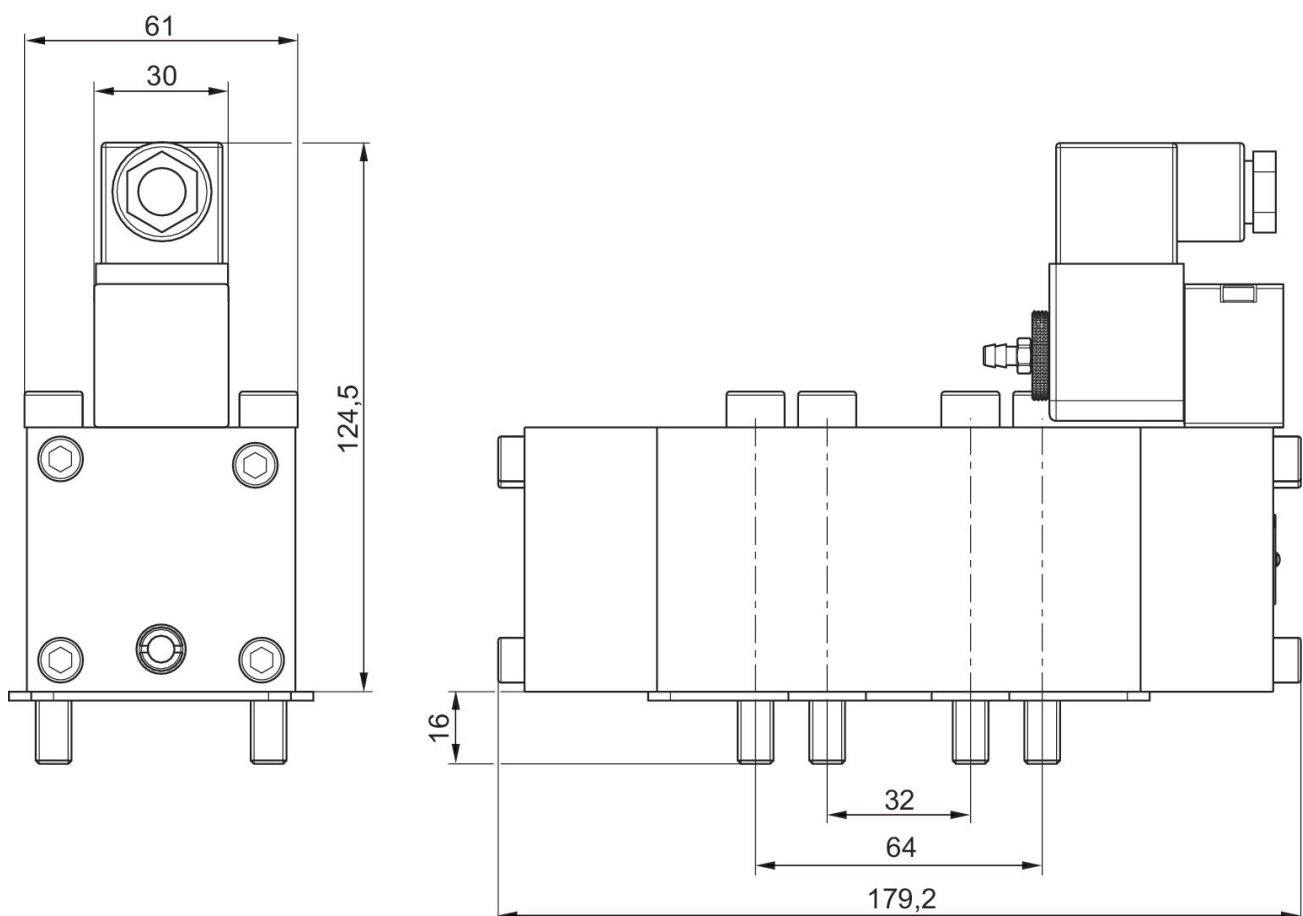
The min. control pressure must be adhered to, since otherwise faulty switching and valve failure may result!

The pressure dew point must be at least 15 °C under ambient and medium temperature and may not exceed 3 °C .

The oil content of compressed air must remain constant during the life cycle.

Use only the approved oils from AVENTICS. Further information can be found in the "Technical information" document (available in <https://www.emerson.com/en-us/support>).

## Dimensions in mm

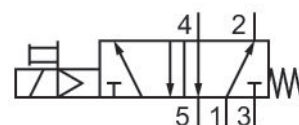
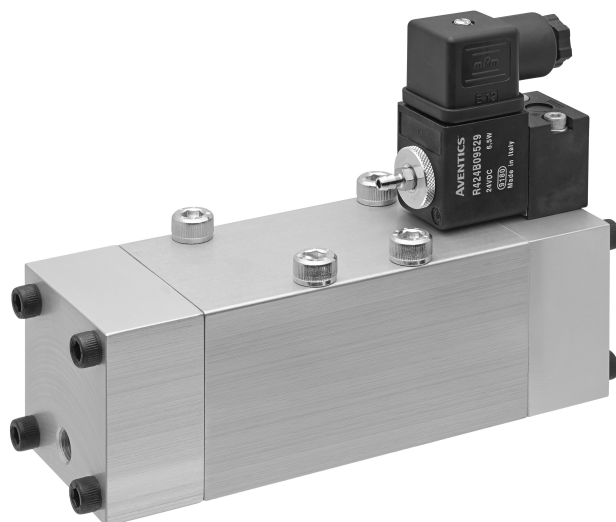


# 5/2-directional valve, Series HV30

## R424B12986

### General series information Series HV30

- The AVENTICS Series HV30 complies with the valve standard ISO 5599-1. Due to the level of flow and robustness, especially on high ambient temperatures, HV30 is the perfect valve for Aluminium applications.



### Technical data

Industry  
Industrial

Activation  
Electrically

Nominal flow Q<sub>n</sub>  
4300 l/min

Switching principle  
5/2

Working pressure min.  
3.5 bar

Working pressure max  
9 bar

DC operating voltage  
24 V

Pilot valve width  
30x22 mm CNOMO

Valve type  
Poppet valve

Voltage tolerance DC  
-10% / +10%

Electrical connection type  
Plug

Electrical connection size  
EN 175301-803, form A

Sealing principle  
Soft Seal

Pilot  
Internal

Standards  
ISO 5599-1

Frame size  
ISO 3

Connection type  
Plate connection

## Blocking principle

Single base plate principle

Control pressure min.

3.5 bar

Control pressure max.

9 bar

Min. ambient temperature

10 °C

Max. ambient temperature

120 °C

Min. medium temperature

10 °C

Max. medium temperature

120 °C

Medium

Compressed air

Max. particle size

50 µm

Oil content of compressed air min.

0 mg/m<sup>3</sup>

Oil content of compressed air max.

5 mg/m<sup>3</sup>

Power consumption DC

6.7 W

Duty cycle

100 %

Typ. switch-on time

50 ms

Typ. switch-off time

80 ms

Pilot valve width

30x22 mm CNOMO

Protection class with connection

IP65

Mounting screw tightening torque

11 Nm

Weight

1.73 kg

Housing material

Aluminum

Seal material

Acrylonitrile butadiene rubber

Part No.

R424B12986

## Technical information

Max. ambient temperature: +180 °C at 1 hour continuous operation and up to +200 °C at 15 hours standby operation

At an ambient temperature of over 120 °C, the duty cycle is reduced by 50%.

Scope of delivery: incl. valve plug connector and pilot valve

Nominal flow Q<sub>n</sub> at 6 bar and  $\Delta p = 1$  bar

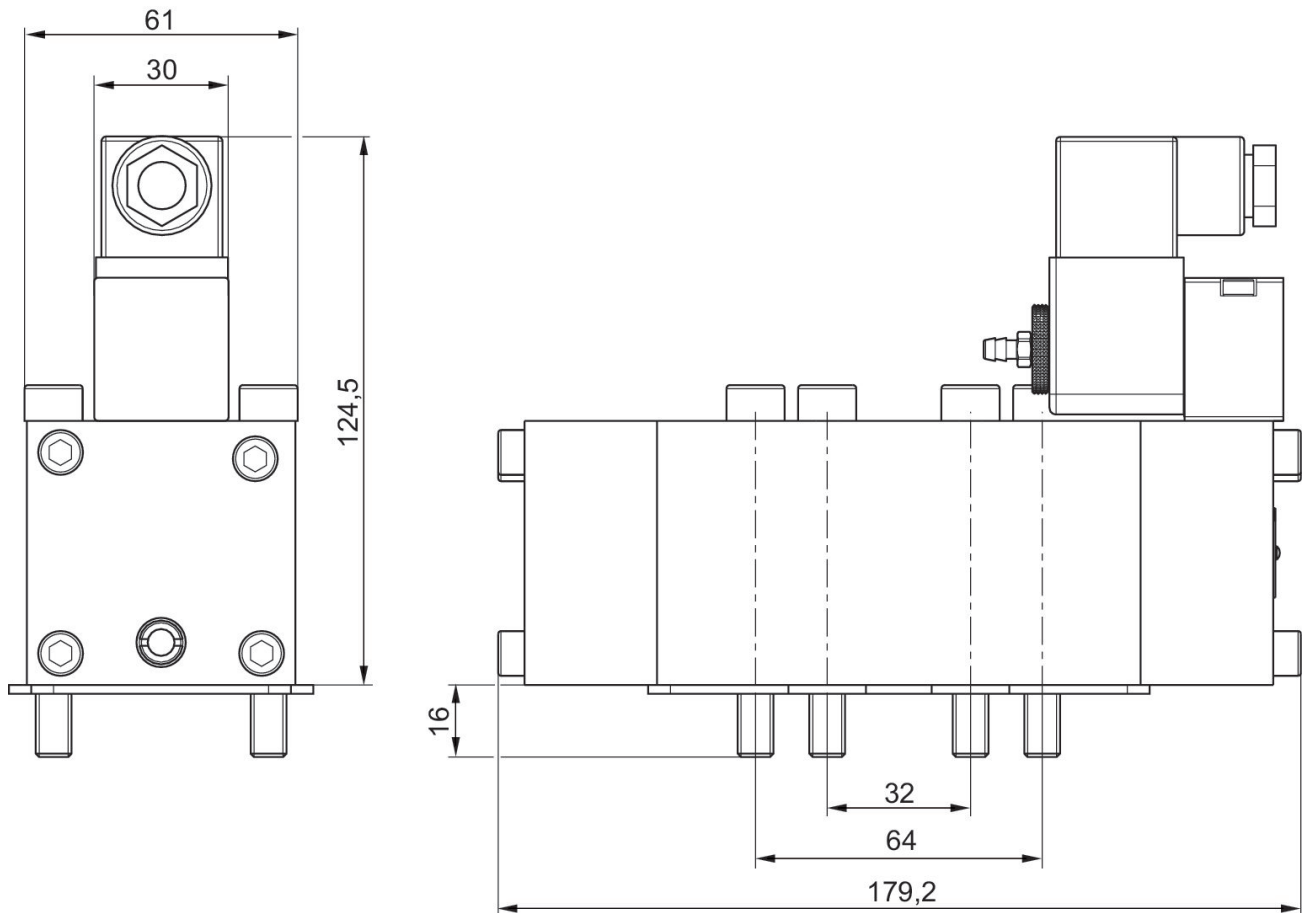
The min. control pressure must be adhered to, since otherwise faulty switching and valve failure may result!

The pressure dew point must be at least 15 °C under ambient and medium temperature and may not exceed 3 °C .

The oil content of compressed air must remain constant during the life cycle.

Use only the approved oils from AVENTICS. Further information can be found in the "Technical information" document (available in <https://www.emerson.com/en-us/support>).

Dimensions in mm

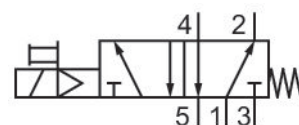
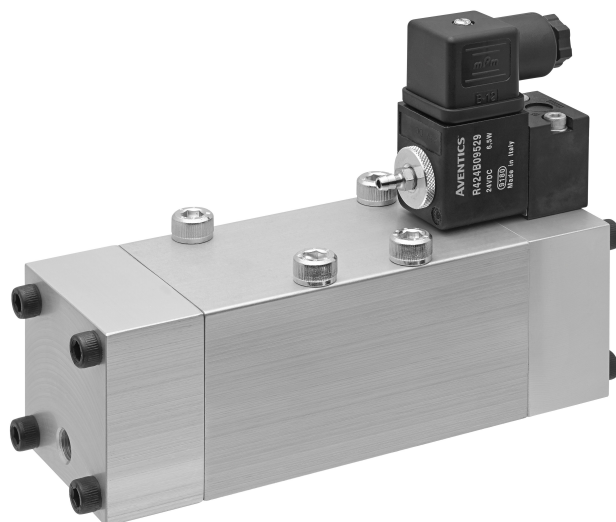


# 5/2-directional valve, Series HV30

## R424B12987

### General series information Series HV30

- The AVENTICS Series HV30 complies with the valve standard ISO 5599-1. Due to the level of flow and robustness, especially on high ambient temperatures, HV30 is the perfect valve for Aluminium applications.



### Technical data

Industry  
Industrial

Activation  
Electrically

Nominal flow Qn  
4300 l/min

Switching principle  
5/2

Working pressure min.  
3.5 bar

Working pressure max  
9 bar

Operational voltage AC at 50 Hz  
110 V

Operational voltage AC at 60 Hz  
110 V

Pilot valve width  
30x22 mm CNOMO

Voltage tolerance AC 50 Hz  
-10% / +10%

Voltage tolerance AC 60 Hz  
-10% / +10%

Electrical connection type  
Plug

Electrical connection size  
EN 175301-803, form A

Sealing principle  
Soft Seal

Pilot  
Internal

Standards  
ISO 5599-1

Valve type  
Poppet valve

Frame size  
ISO 3

Connection type  
Plate connection

Control pressure min.  
3.5 bar

Control pressure max.  
9 bar

Min. ambient temperature  
10 °C

Max. ambient temperature  
120 °C

Min. medium temperature  
10 °C

Holding power AC 50 Hz  
4.2 VA

Holding power AC 60 Hz  
4.2 VA

Switch-on power AC 50 Hz  
5 VA

Switch-on power AC 60 Hz  
5 VA

Pilot valve width  
30x22 mm CNOMO

Protection class with connection  
IP65

Housing material  
Aluminum

Seal material  
Acrylonitrile butadiene rubber

Blocking principle  
Single base plate principle

Max. medium temperature  
120 °C

Medium  
Compressed air

Max. particle size  
50 µm

Oil content of compressed air min.  
0 mg/m<sup>3</sup>

Oil content of compressed air max.  
5 mg/m<sup>3</sup>

Duty cycle  
100 %

Typ. switch-on time  
50 ms

Typ. switch-off time  
80 ms

Mounting screw tightening torque  
11 Nm

Weight  
1.73 kg

Part No.  
R424B12987

## Technical information

Max. ambient temperature: +180 °C at 1 hour continuous operation and up to +200 °C at 15 hours standby operation

At an ambient temperature of over 120 °C, the duty cycle is reduced by 50%.

Scope of delivery: incl. valve plug connector and pilot valve

Nominal flow  $Q_n$  at 6 bar and  $\Delta p = 1$  bar

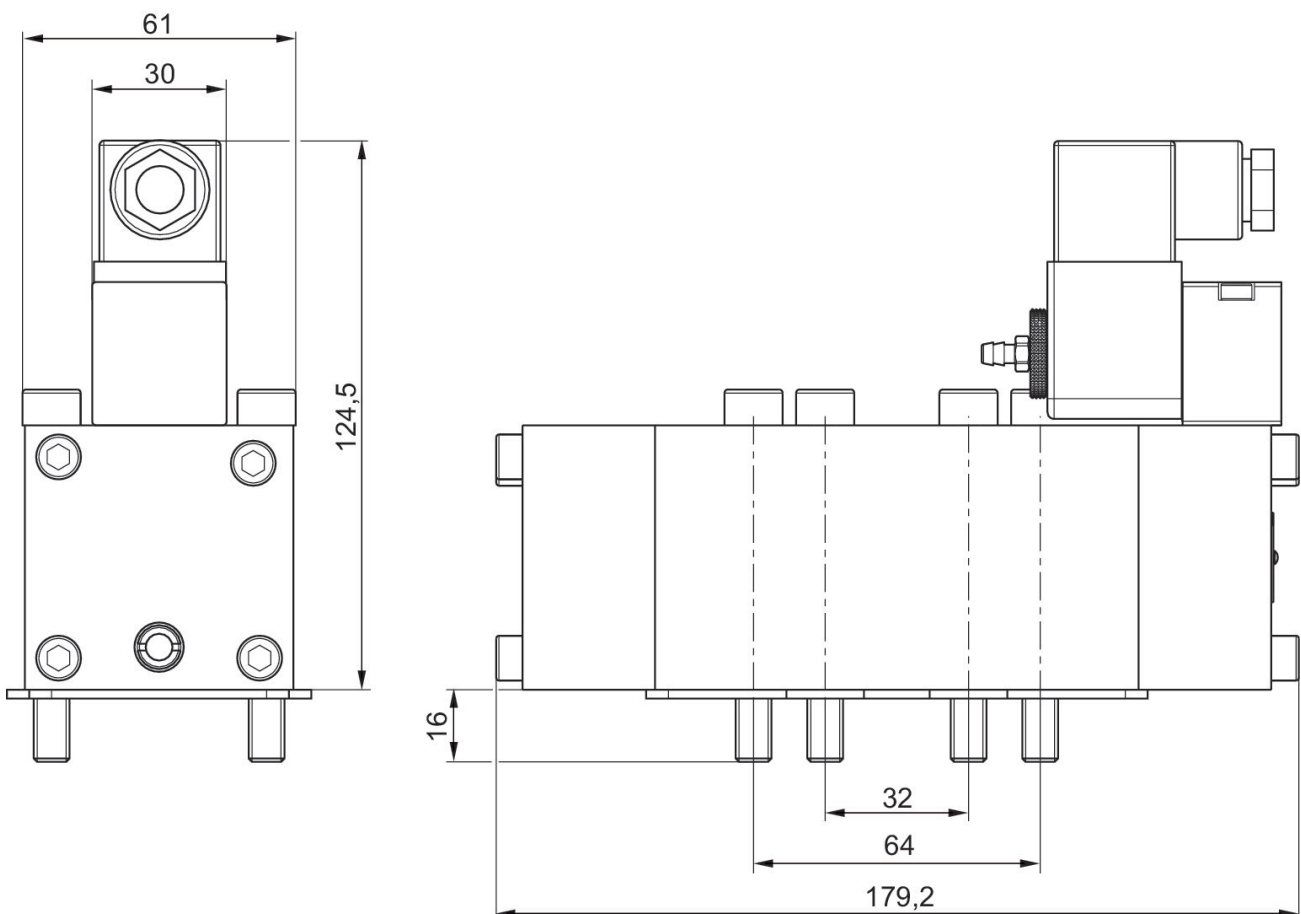
The min. control pressure must be adhered to, since otherwise faulty switching and valve failure may result!

The pressure dew point must be at least 15 °C under ambient and medium temperature and may not exceed 3 °C .

The oil content of compressed air must remain constant during the life cycle.

Use only the approved oils from AVENTICS. Further information can be found in the "Technical information" document (available in <https://www.emerson.com/en-us/support>).

## Dimensions in mm





# Single subbase, thread connections on the bottom

- standard ISO 5599-1
- Frame size ISO 3
- Compressed air connection output G 1/2
- Reversed pressure supply permissible



Standards	ISO 5599-1
Working pressure min./max.	-0.95 ... 16 bar
Ambient temperature min./max.	-25 ... 70 °C
Medium temperature min./max.	-25 ... 70 °C
Medium	Compressed air
Number of valve positions max.	1
Direction of pneumatic port (1)	Down
Direction of pneumatic port (3,5)	Down
Direction of pneumatic port (2,4)	Down
Direction of pneumatic port (12)	Down
Direction of pneumatic port (14)	Down
Exhaust (3,5)	With directional exhaust (3/5)
Exhaust type	Ports separated
Weight	0.416 kg

## Technical data

Part No.	Compressed air connection Input [1]	Compressed air connection Output [2 / 4]
1825503203	G 1/2	G 1/2

Part No.	Compressed air connection Exhaust [3 / 5]	Compressed air connection Pilot connection [X]
1825503203	G 1/2	G 1/8

Part No.	Compressed air connection Pilot control exhaust [R]
1825503203	G 1/8

## Technical information

The min. control pressure must be adhered to, since otherwise faulty switching and valve failure may result!  
 The pressure dew point must be at least 15 °C under ambient and medium temperature and may not exceed 3 °C .  
 The oil content of compressed air must remain constant during the life cycle.  
 Use only the approved oils from AVENTICS. Further information can be found in the "Technical information" document (available in the MediaCentre).

For use with HV series valves, the ambient temperature is -25 °C...200 °C and the medium temperature is -25 °C...120 °C.  
 Reversed pressure supply is not permitted for HV series valves.

## Technical information

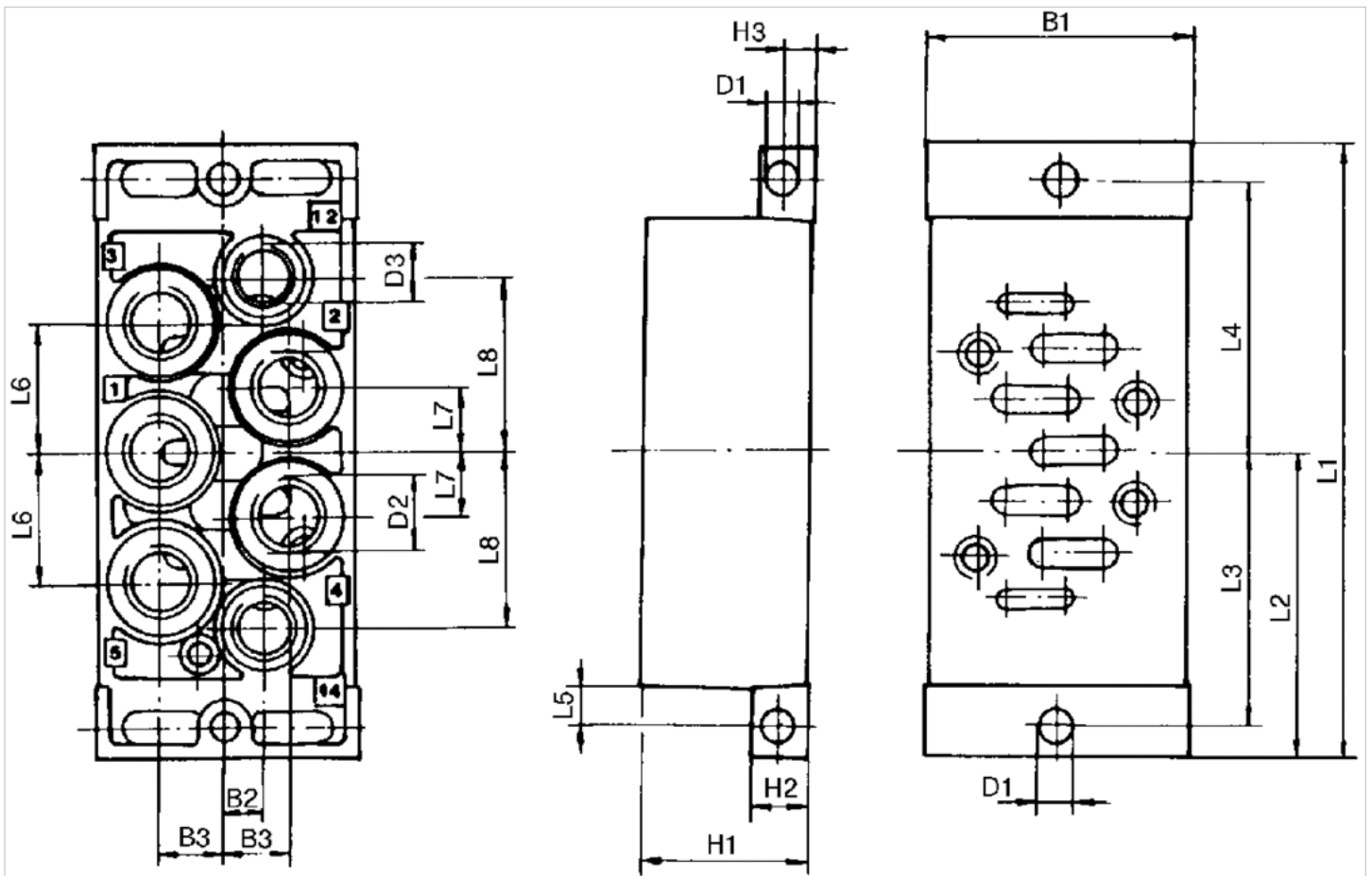
### Material

Base plate

Die-cast aluminum

## Dimensions

### Dimensions



## Dimensions

Part No.	Frame size	B1	B2	B3	D1	D2 *)	D3 *)	H1	H2	H3	L1	L2	L3	L4	L5	L6	L7	L8
1825503203	ISO 3	77	10	17	6.6	G 1/2	G 1/8	32	18	9	149	74.5	68	68	8.5	34	17	45

\*) Ports

# Single subbase, thread connections on the side

- standard ISO 5599-1
- Frame size ISO 3
- Compressed air connection output G 1/2
- Reversed pressure supply permissible



Standards	ISO 5599-1
Working pressure min./max.	-0.95 ... 16 bar
Ambient temperature min./max.	-25 ... 70 °C
Medium temperature min./max.	-25 ... 70 °C
Medium	Compressed air
Number of valve positions max.	1
Grid dimension	71 mm
Direction of pneumatic port (1)	On the side
Direction of pneumatic port (3,5)	On the side
Direction of pneumatic port (2,4)	On the side
Direction of pneumatic port (12)	On the side
Direction of pneumatic port (14)	On the side
Exhaust (3,5)	With directional exhaust (3/5)
Exhaust type	Ports separated
Weight	0.34 kg

## Technical data

Part No.	Compressed air connection Input [1]	Compressed air connection Output [2 / 4]
1825503149	G 1/2	G 1/2

Part No.	Compressed air connection Exhaust [3 / 5]	Compressed air connection Pilot connection [X]
1825503149	G 1/2	G 1/8

Part No.	Compressed air connection Pilot control exhaust [R]
1825503149	G 1/8

## Technical information

The min. control pressure must be adhered to, since otherwise faulty switching and valve failure may result!  
 The pressure dew point must be at least 15 °C under ambient and medium temperature and may not exceed 3 °C .  
 The oil content of compressed air must remain constant during the life cycle.  
 Use only the approved oils from AVENTICS. Further information can be found in the "Technical information" document (available in the MediaCentre).

For use with HV series valves, the ambient temperature is -25 °C...200 °C and the medium temperature is -25 °C...120 °C.  
 Reversed pressure supply is not permitted for HV series valves.

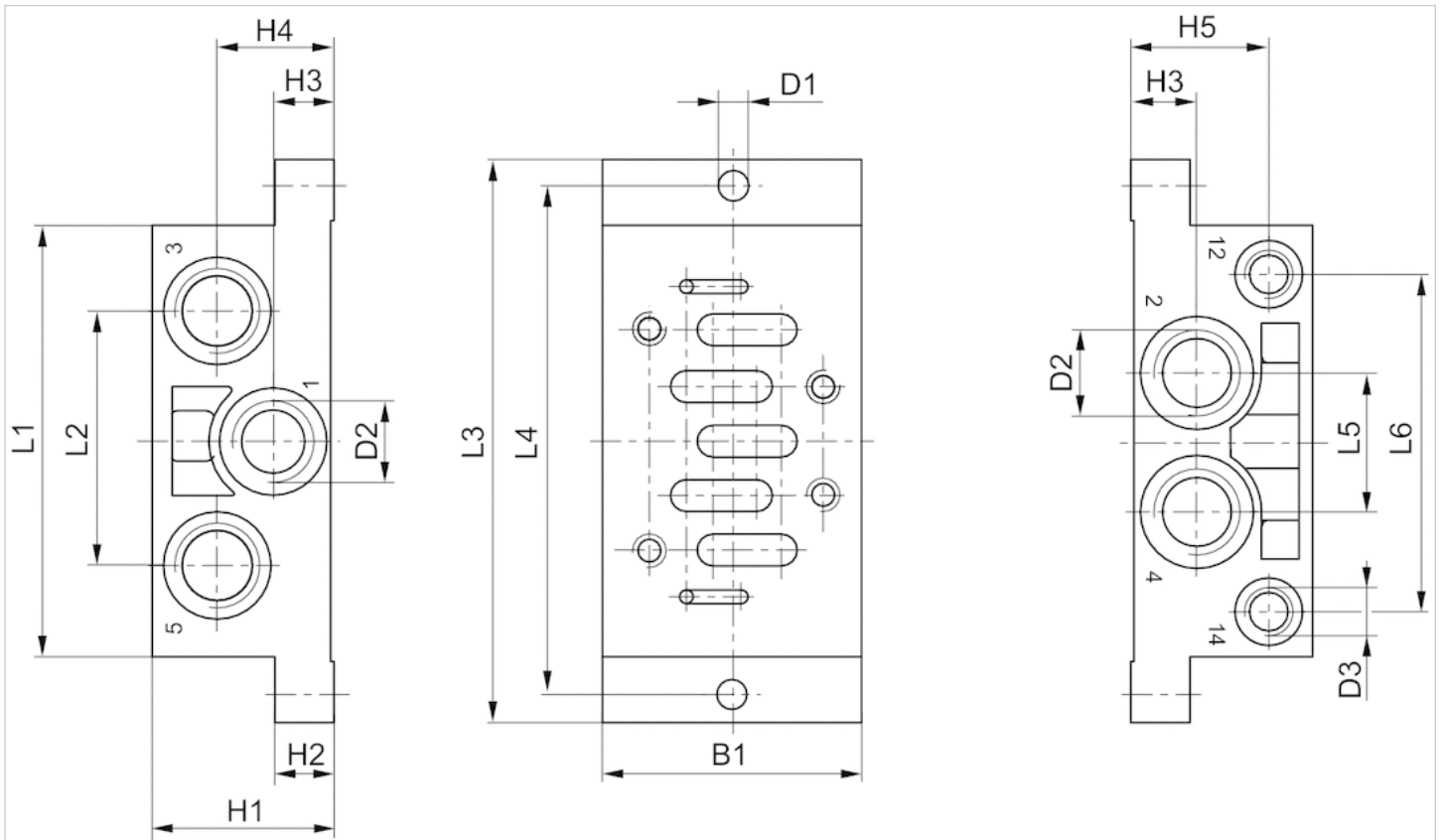
## Technical information

### Material

Housing	Die-cast aluminum
Base plate	Die-cast aluminum

## Dimensions

Fig. 1



## Dimensions

Part No.	Frame size	B1	H1	H2	H3	H4	H5	D1	D2 *)	D3 *)	L1	L2	L3	L4	L5	L6
1825503149	ISO 3	71	32	18	17	17	22	6.6	G 1/2	G 1/8	119	68	149	136	32	90

\*) Ports

# Base plate

- standard ISO 5599-1
- Frame size ISO 3
- Compressed air connection output G 1/2



Standards	ISO 5599-1
Working pressure min./max.	3.5 ... 10 bar
Ambient temperature min./max.	10 ... 200 °C
Medium temperature min./max.	10 ... 120 °C
Medium	Compressed air
Direction of pneumatic port (1)	On the side
Direction of pneumatic port (3,5)	On the side
Exhaust (3,5)	With directional exhaust (3/5)
Exhaust type	Ports separated
Mounting screw	hexagon head
Weight	1 kg

## Technical data

Part No.	Compressed air connection Input [1]	Compressed air connection Output [2 / 4]
R424B12368	G 1/2	G 1/2

Part No.	Compressed air connection Exhaust [3 / 5]
R424B12368	G 1/2

Delivery incl. seal and mounting screw

## Technical information

The min. control pressure must be adhered to, since otherwise faulty switching and valve failure may result!  
 The pressure dew point must be at least 15 °C under ambient and medium temperature and may not exceed 3 °C .  
 The oil content of compressed air must remain constant during the life cycle.  
 Use only the approved oils from AVENTICS. Further information can be found in the "Technical information" document (available in the MediaCentre).

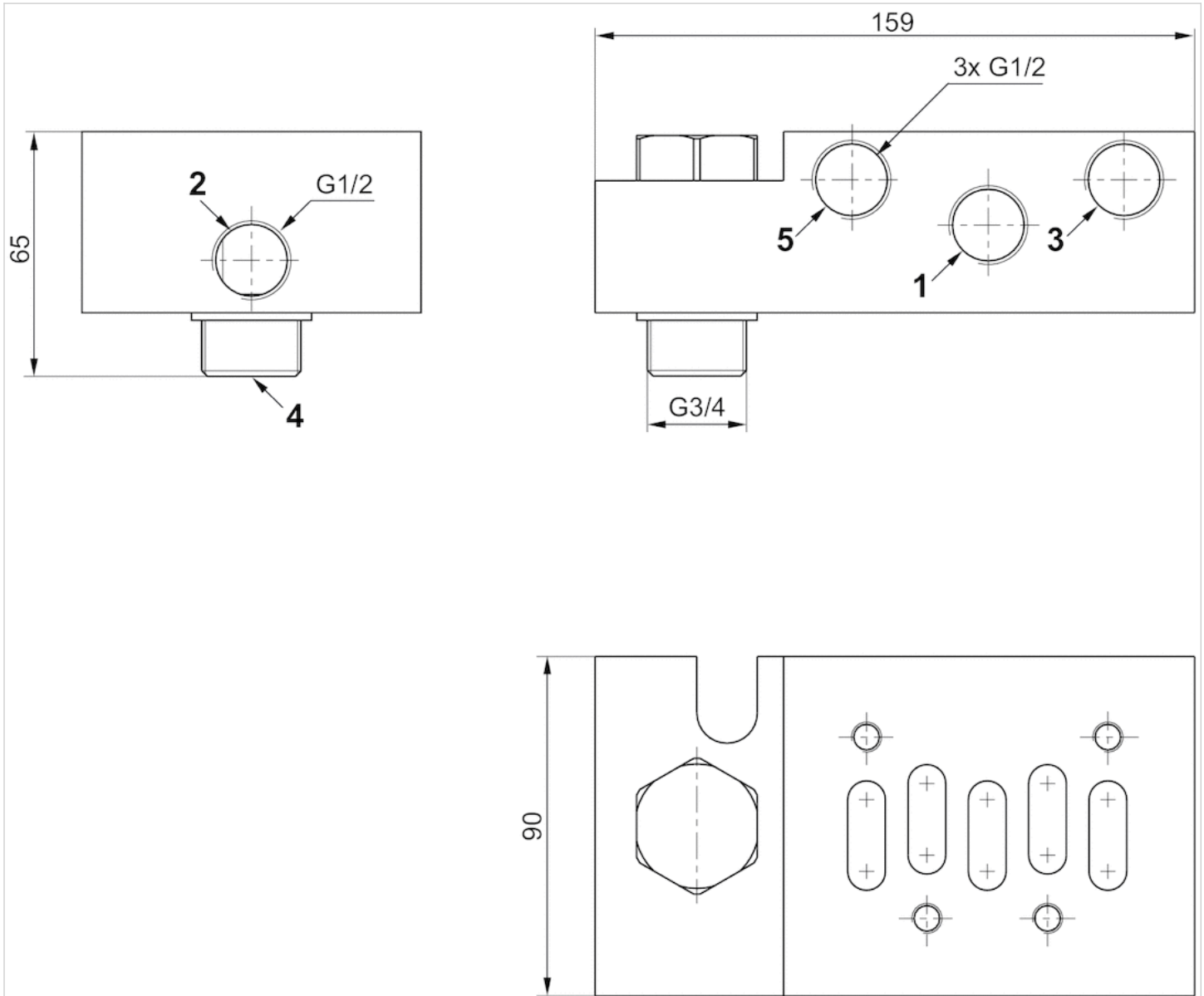
Can be mounted directly to a crust breaking cylinder (Ø 160 and Ø 200) with integrated ISO 5599-1, size 3 valve. Optimized for the metalworking industry.

## Technical information

Material	
Base plate	Aluminum
Seal	Acrylonitrile butadiene rubber

# Dimensions

## Dimensions in mm



# Base plate

- standard ISO 5599-1
- Frame size ISO 3
- Compressed air connection output G 3/4 1/2-14 NPTF 3/4-14 PTF



Standards	ISO 5599-1
Working pressure min./max.	3.5 ... 10 bar
Ambient temperature min./max.	10 ... 200 °C
Medium temperature min./max.	10 ... 120 °C
Medium	Compressed air
Direction of pneumatic port (1)	On the side
Direction of pneumatic port (3,5)	On the side
Exhaust (3,5)	With directional exhaust (3/5)
Exhaust type	Ports separated
Mounting screw	M8
Weight	0.54 kg

## Technical data

Part No.	Compressed air connection Input [1]	Compressed air connection Output [2 / 4]
R432009166	G 3/4	G 3/4
R432015308	1/2-14 NPTF	1/2-14 NPTF
R432015309	3/4-14 PTF	3/4-14 PTF

Part No.	Compressed air connection Exhaust [3 / 5]
R432009166	G 3/4
R432015308	1/2-14 NPTF
R432015309	3/4-14 PTF

## Technical information

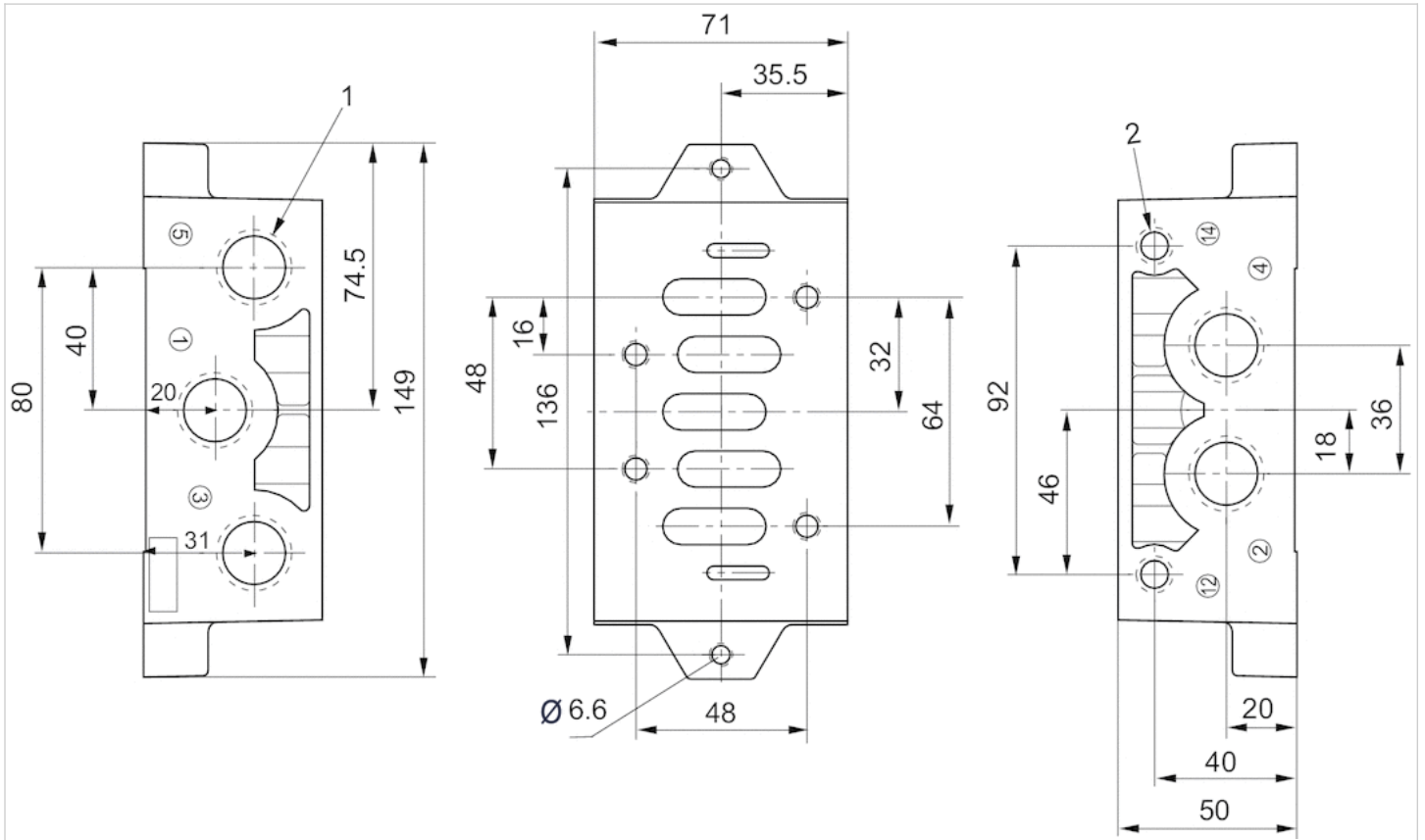
The min. control pressure must be adhered to, since otherwise faulty switching and valve failure may result!  
 The pressure dew point must be at least 15 °C under ambient and medium temperature and may not exceed 3 °C .  
 The oil content of compressed air must remain constant during the life cycle.  
 Use only the approved oils from AVENTICS. Further information can be found in the "Technical information" document (available in the MediaCentre).

## Technical information

Material	
Base plate	Die-cast aluminum

# Dimensions

## Dimensions in mm



- 1) Connections [1 ,3 ,5, 2, 4 ]
- 2) Connections [12, 14] G 1/8



# Pilot valve, Series HV30

R424B12522

General series information  
Series HV30

- The AVENTICS Series HV30 complies with the valve standard ISO 5599-1. Due to the level of flow and robustness, especially on high ambient temperatures, HV30 is the perfect valve for Aluminium applications.



## Technical data

Industry  
Industrial

Activation  
Electrically

Working pressure min.  
2 bar

Frame size  
ISO 3

Min. ambient temperature  
10 °C

Max. ambient temperature  
120 °C

Working pressure max  
10 bar

DC operating voltage  
24 V

Voltage tolerance DC  
-10% / +10%

Min. medium temperature  
10 °C

Max. medium temperature  
120 °C

Medium  
Compressed air  
Max. particle size  
5 µm

Oil content of compressed air min.  
0 mg/m<sup>3</sup>  
Oil content of compressed air max.  
5 mg/m<sup>3</sup>

Power consumption DC  
2.4 W

Duty cycle  
100 %

Connector standard  
CNOMO / NFE 49-003-1  
Protection class with connection  
IP65

Weight  
0.18 kg

Housing material  
polyphenylene sulfide  
Seal material  
Fluorocaoutchouc

Part No.  
R424B12522

## Technical information

Max. ambient temperature: +180 °C at 1 hour continuous operation and up to +200 °C at 15 hours standby operation

At an ambient temperature of over 120 °C, the duty cycle is reduced by 50%.

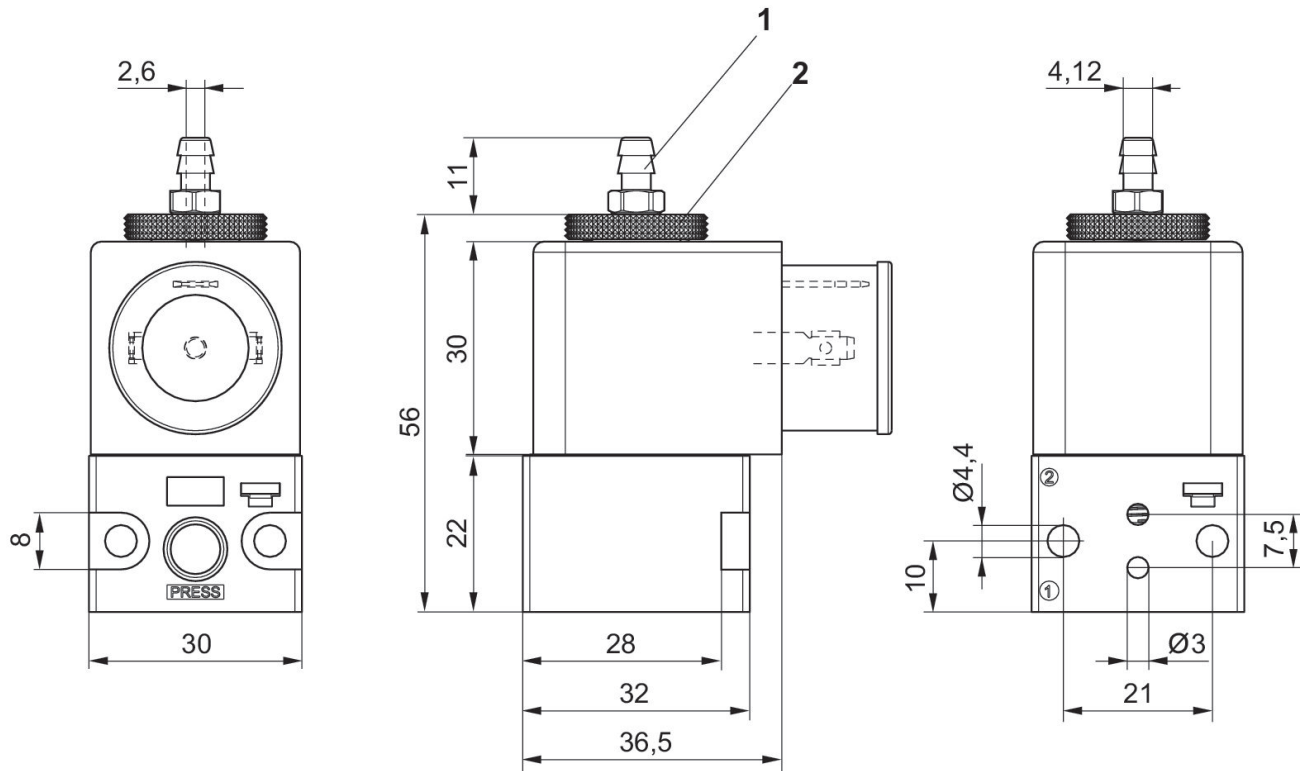
The min. control pressure must be adhered to, since otherwise faulty switching and valve failure may result!

The pressure dew point must be at least 15 °C under ambient and medium temperature and may not exceed 3 °C .

The oil content of compressed air must remain constant during the life cycle.

Use only the approved oils from AVENTICS. Further information can be found in the "Technical information" document (available in <https://www.emerson.com/en-us/support>).

## Dimensions in mm



1) Tightening torque: 0.8 Nm  $\pm$ 0.01

2) Tightening torque: 0.4 Nm  $\pm$ 0.01

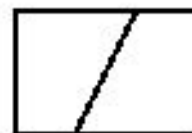
Scope of delivery: Pressure connection, fluoropolymer tubing  $\varnothing$ 6x1

# Pilot valve, Series HV30

## R424B13057

### General series information Series HV30

- The AVENTICS Series HV30 complies with the valve standard ISO 5599-1. Due to the level of flow and robustness, especially on high ambient temperatures, HV30 is the perfect valve for Aluminium applications.



### Technical data

Industry  
Industrial

Activation  
Electrically

Working pressure min.  
2 bar

Frame size  
ISO 3

Min. ambient temperature  
10 °C

Max. ambient temperature  
120 °C

Working pressure max  
10 bar

DC operating voltage  
24 V

Min. medium temperature  
10 °C

Max. medium temperature  
120 °C

Medium  
Compressed air  
Max. particle size  
5 µm

Oil content of compressed air min.  
0 mg/m<sup>3</sup>  
Oil content of compressed air max.  
5 mg/m<sup>3</sup>

Power consumption DC  
6.5 W

Duty cycle  
100 %

Connector standard  
CNOMO / NFE 49-003-1  
Protection class with connection  
IP65

Weight  
0.18 kg

Housing material  
polyphenylene sulfide  
Seal material  
Fluorocaoutchouc

Part No.  
R424B13057

## Technical information

Max. ambient temperature: +180 °C at 1 hour continuous operation and up to +200 °C at 15 hours standby operation

At an ambient temperature of over 120 °C, the duty cycle is reduced by 50%.

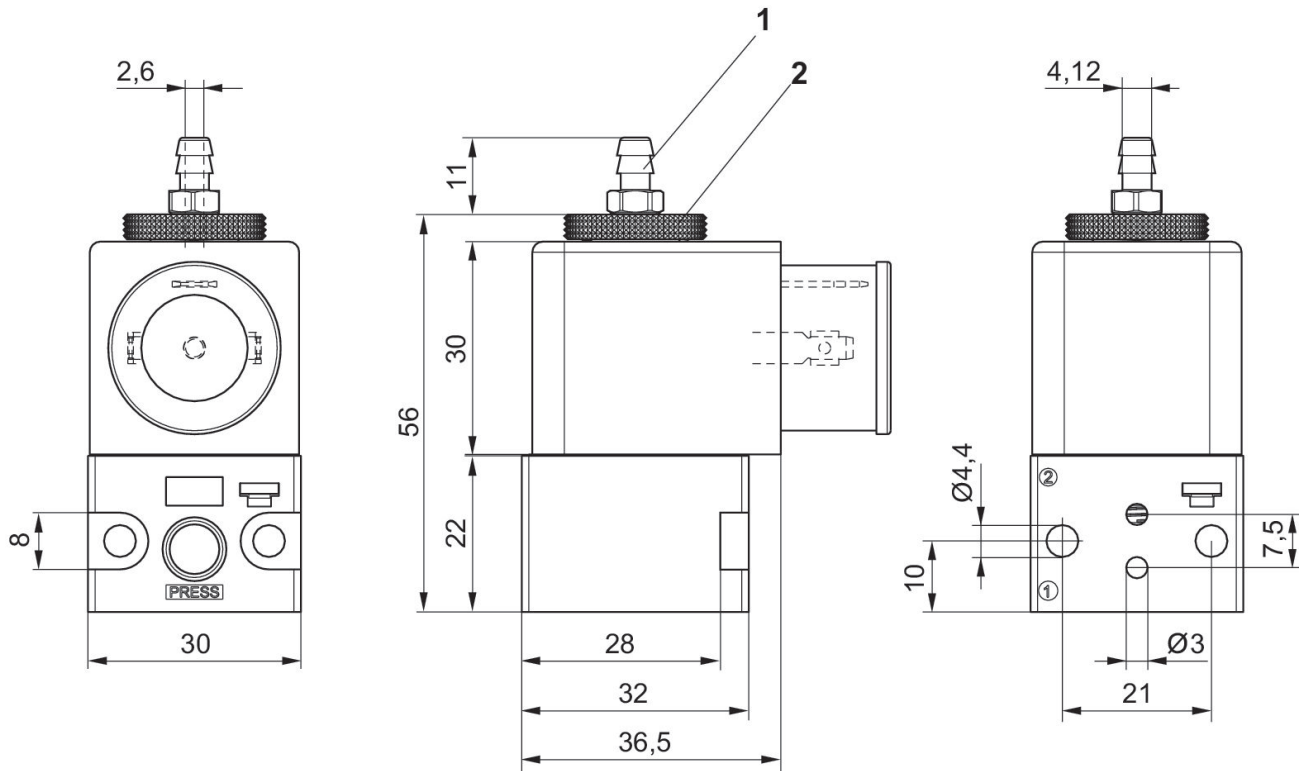
The min. control pressure must be adhered to, since otherwise faulty switching and valve failure may result!

The pressure dew point must be at least 15 °C under ambient and medium temperature and may not exceed 3 °C .

The oil content of compressed air must remain constant during the life cycle.

Use only the approved oils from AVENTICS. Further information can be found in the "Technical information" document (available in <https://www.emerson.com/en-us/support>).

## Dimensions in mm



1) Tightening torque: 0.8 Nm  $\pm$ 0.01

2) Tightening torque: 0.4 Nm  $\pm$ 0.01

Scope of delivery: Pressure connection, fluoropolymer tubing  $\text{Ø}6 \times 1$

# Pilot valve, Series HV30

R424B12523

General series information  
Series HV30

- The AVENTICS Series HV30 complies with the valve standard ISO 5599-1. Due to the level of flow and robustness, especially on high ambient temperatures, HV30 is the perfect valve for Aluminium applications.



## Technical data

Industry  
Industrial

Activation  
Electrically

Working pressure min.  
2 bar

Working pressure max  
10 bar

Frame size  
ISO 3

Min. ambient temperature  
10 °C

Operational voltage AC at 50 Hz  
110 V

Operational voltage AC at 60 Hz  
110 V

Voltage tolerance AC 50 Hz  
-10% / +10%

Voltage tolerance AC 60 Hz  
-10% / +10%

Max. ambient temperature  
120 °C

Min. medium temperature  
10 °C

Max. medium temperature  
120 °C

Medium  
Compressed air

Max. particle size  
5 µm

Oil content of compressed air min.  
0 mg/m<sup>3</sup>

Oil content of compressed air max.  
5 mg/m<sup>3</sup>

Holding power AC 50 Hz  
5 VA

Holding power AC 60 Hz  
4.2 VA

Duty cycle  
100 %

Connector standard  
CNOMO / NFE 49-003-1

Protection class with connection  
IP65

Weight  
0.18 kg

Housing material  
polyphenylene sulfide

Seal material  
Fluorocaoutchouc

Part No.  
R424B12523

## Technical information

Max. ambient temperature: +180 °C at 1 hour continuous operation and up to +200 °C at 15 hours standby operation

At an ambient temperature of over 120 °C, the duty cycle is reduced by 50%.

The min. control pressure must be adhered to, since otherwise faulty switching and valve failure may result!

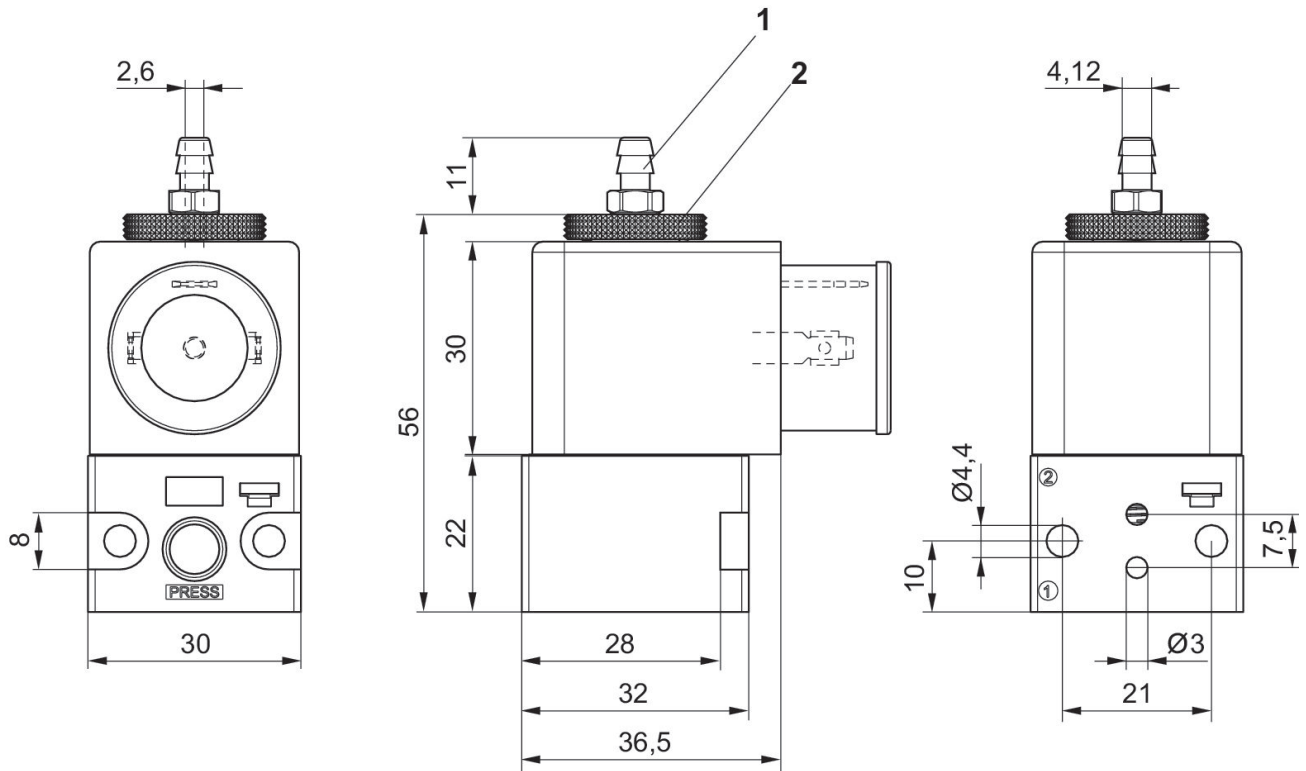
The pressure dew point must be at least 15 °C under ambient and medium temperature and may not exceed 3 °C .

The oil content of compressed air must remain constant during the life cycle.

Use only the approved oils from AVENTICS. Further information can be found in the "Technical information" document (available in <https://www.emerson.com/en-us/support>).



## Dimensions in mm



1) Tightening torque: 0.8 Nm  $\pm$ 0.01

2) Tightening torque: 0.4 Nm  $\pm$ 0.01

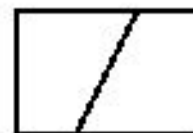
Scope of delivery: Pressure connection, fluoropolymer tubing  $\text{Ø}6 \times 1$

# Pilot valve, Series HV30

## R424B13058

### General series information Series HV30

- The AVENTICS Series HV30 complies with the valve standard ISO 5599-1. Due to the level of flow and robustness, especially on high ambient temperatures, HV30 is the perfect valve for Aluminium applications.



### Technical data

Industry  
Industrial

Activation  
Electrically

Working pressure min.  
2 bar

Frame size  
ISO 3

Min. ambient temperature  
10 °C

Max. ambient temperature  
120 °C

Working pressure max  
10 bar

Operational voltage AC at 50 Hz  
110 V

Operational voltage AC at 60 Hz  
110 V

Min. medium temperature  
10 °C

Max. medium temperature  
120 °C

Medium  
Compressed air  
Max. particle size  
5 µm

Oil content of compressed air min.  
0 mg/m<sup>3</sup>  
Oil content of compressed air max.  
5 mg/m<sup>3</sup>

Holding power AC 50 Hz  
5 VA  
Holding power AC 60 Hz  
4.2 VA

Duty cycle  
100 %

Connector standard  
CNOMO / NFE 49-003-1  
Protection class with connection  
IP65

Weight  
0.18 kg

Housing material  
polyphenylene sulfide  
Seal material  
Fluorocaoutchouc

Part No.  
R424B13058

## Technical information

Max. ambient temperature: +180 °C at 1 hour continuous operation and up to +200 °C at 15 hours standby operation

At an ambient temperature of over 120 °C, the duty cycle is reduced by 50%.

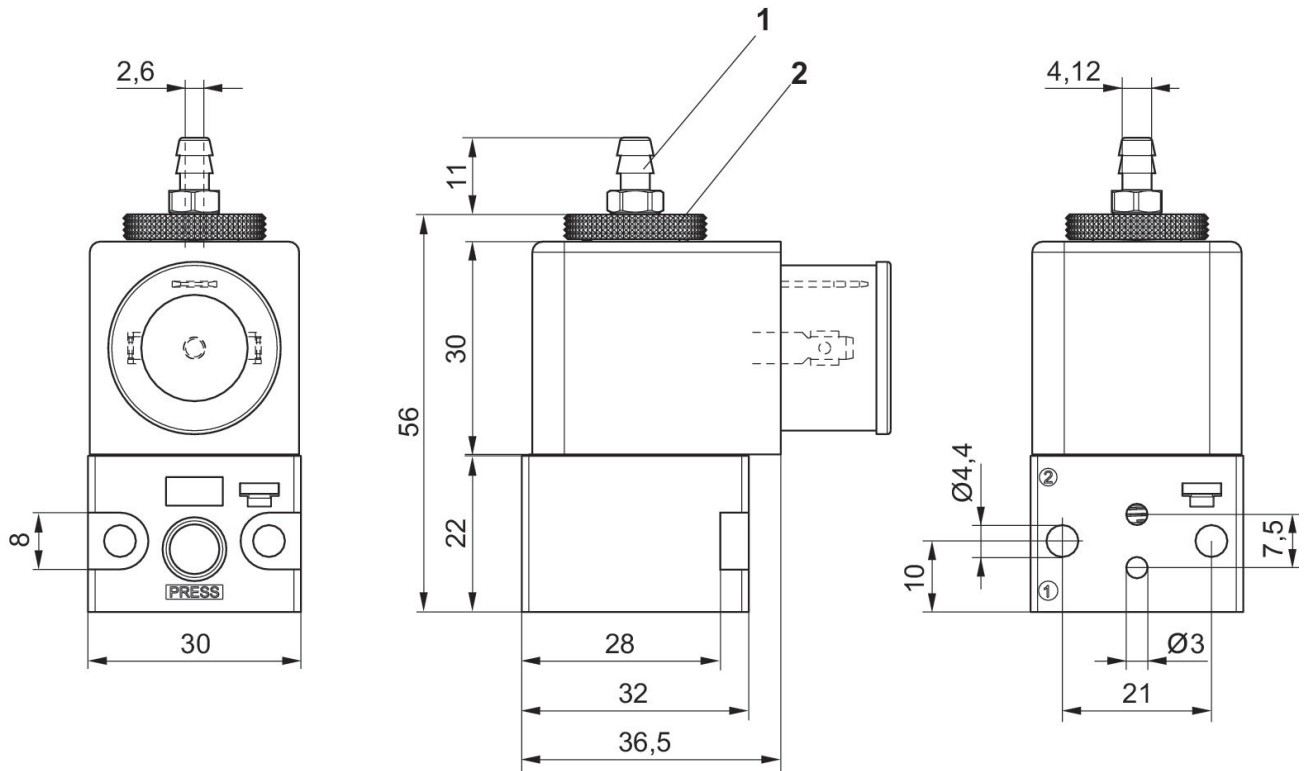
The min. control pressure must be adhered to, since otherwise faulty switching and valve failure may result!

The pressure dew point must be at least 15 °C under ambient and medium temperature and may not exceed 3 °C .

The oil content of compressed air must remain constant during the life cycle.

Use only the approved oils from AVENTICS. Further information can be found in the "Technical information" document (available in <https://www.emerson.com/en-us/support>).

## Dimensions in mm



1) Tightening torque: 0.8 Nm  $\pm$ 0.01

2) Tightening torque: 0.4 Nm  $\pm$ 0.01

Scope of delivery: Pressure connection, fluoropolymer tubing  $\text{Ø}6 \times 1$

# Pilot valve, Series HV30

R424B12524

General series information  
Series HV30

- The AVENTICS Series HV30 complies with the valve standard ISO 5599-1. Due to the level of flow and robustness, especially on high ambient temperatures, HV30 is the perfect valve for Aluminium applications.



## Technical data

Industry  
Industrial

Activation  
Electrically

Working pressure min.  
2 bar

Working pressure max  
10 bar

Frame size  
ISO 3

Min. ambient temperature  
10 °C

Operational voltage AC at 50 Hz  
230 V

Operational voltage AC at 60 Hz  
230 V

Voltage tolerance AC 50 Hz  
-10% / +10%

Voltage tolerance AC 60 Hz  
-10% / +10%

Max. ambient temperature  
120 °C

Min. medium temperature  
10 °C

Max. medium temperature  
120 °C

Medium  
Compressed air

Max. particle size  
5 µm

Oil content of compressed air min.  
0 mg/m<sup>3</sup>

Oil content of compressed air max.  
5 mg/m<sup>3</sup>

Power consumption DC  
6 W

Holding power AC 50 Hz  
5 VA

Holding power AC 60 Hz  
4.2 VA

Duty cycle  
100 %

Connector standard  
CNOMO / NFE 49-003-1

Protection class with connection  
IP65

Weight  
0.18 kg

Housing material  
polyphenylene sulfide

Seal material  
Fluorocaoutchouc

Part No.  
R424B12524

## Technical information

Max. ambient temperature: +180 °C at 1 hour continuous operation and up to +200 °C at 15 hours standby operation

At an ambient temperature of over 120 °C, the duty cycle is reduced by 50%.

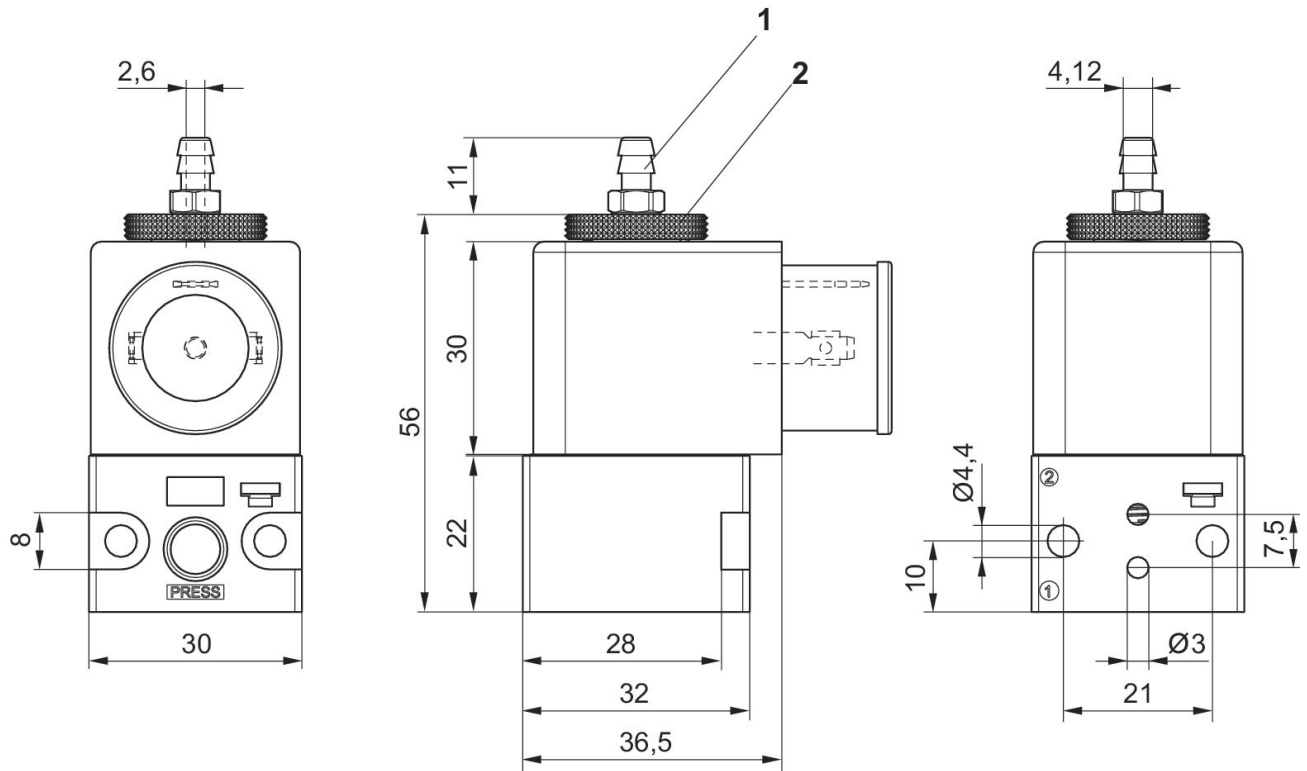
The min. control pressure must be adhered to, since otherwise faulty switching and valve failure may result!

The pressure dew point must be at least 15 °C under ambient and medium temperature and may not exceed 3 °C .

The oil content of compressed air must remain constant during the life cycle.

Use only the approved oils from AVENTICS. Further information can be found in the "Technical information" document (available in <https://www.emerson.com/en-us/support>).

## Dimensions in mm



1) Tightening torque: 0.8 Nm  $\pm$ 0.01

2) Tightening torque: 0.4 Nm  $\pm$ 0.01

Scope of delivery: Pressure connection, fluoropolymer tubing  $\text{Ø}6 \times 1$

# Efficient pneumatic solutions, our program: cylinders and drives, valves and valve systems, air supply management



Visit us: [Emerson.com/Aventics](https://www.emerson.com/Aventics)

Your local contact: [Emerson.com/contactus](https://www.emerson.com/contactus)



Emerson.com



[Facebook.com/EmersonAutomationSolutions](https://www.facebook.com/EmersonAutomationSolutions)



[LinkedIn.com/company/Emerson-Automation-Solutions](https://www.linkedin.com/company/Emerson-Automation-Solutions)



[Twitter.com/EMR\\_Automation](https://twitter.com/EMR_Automation)

An example configuration is depicted on the title page. The delivered product may thus vary from that in the illustration. Subject to change. This Document, as well as the data, specifications and other information set forth in it, are the exclusive property of AVENTICS GmbH. It may not be reproduced or given to third parties without its consent. Only use the AVENTICS products shown in industrial applications. Read the product documentation completely and carefully before using the product. Observe the applicable regulations and laws of the respective country. When integrating the product into applications, note the system manufacturer's specifications for safe use of the product. The data specified only serve to describe the product. No statements concerning a certain condition or suitability for a certain application can be derived from our information. The information given does not release the user from the obligation of own judgment and verification. It must be remembered that the products are subject to a natural process of wear and aging.

The Emerson logo is a trademark and service mark of Emerson Electric Co. Brand logotype are registered trademarks of one of the Emerson family of companies. All other marks are the property of their respective owners. © 2017 Emerson Electric Co. All rights reserved.  
2022-08



## CONSIDER IT SOLVED™