

## Series CC02-AL



AVENTICS™ Series CC02-AL

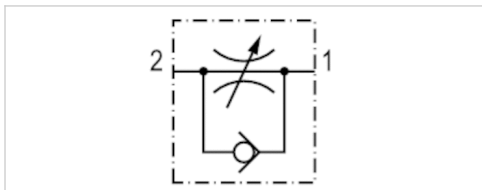


# Check-choke valve, Series CC02-AL

- $Q_n 2 \rightarrow 1 = 70-900 \text{ l/min}$
- direction of throttle  $2 \rightarrow 1$
- exhaust air throttling
- push-in fitting / External thread



Working pressure min./max.	0.5 ... 10 bar
Ambient temperature min./max.	-10 ... 70 °C
Medium temperature min./max.	-10 ... 70 °C
Medium	Compressed air



## Technical data

Part No.	Port 1	Port 2	Throttle bore	Flow
			Ø	$Q_n 2 \rightarrow 1$
R412027120	Ø 4	M5	2 mm	70 l/min
R412004995	Ø 6	M5	2 mm	85 l/min
0821200242	Ø 6	G 1/8	3.5 mm	360 l/min
0821200246	Ø 6	G 1/4	4.5 mm	540 l/min
0821200244	Ø 8	G 1/8	3.5 mm	360 l/min
0821200247	Ø 8	G 1/4	4.5 mm	540 l/min
0821200248	Ø 8	G 3/8	6.6 mm	900 l/min
0821200253	Ø 10	G 1/4	4.5 mm	540 l/min
0821200249	Ø 10	G 3/8	6.6 mm	900 l/min
R412007432	Ø 12	G 3/8	6.6 mm	900 l/min

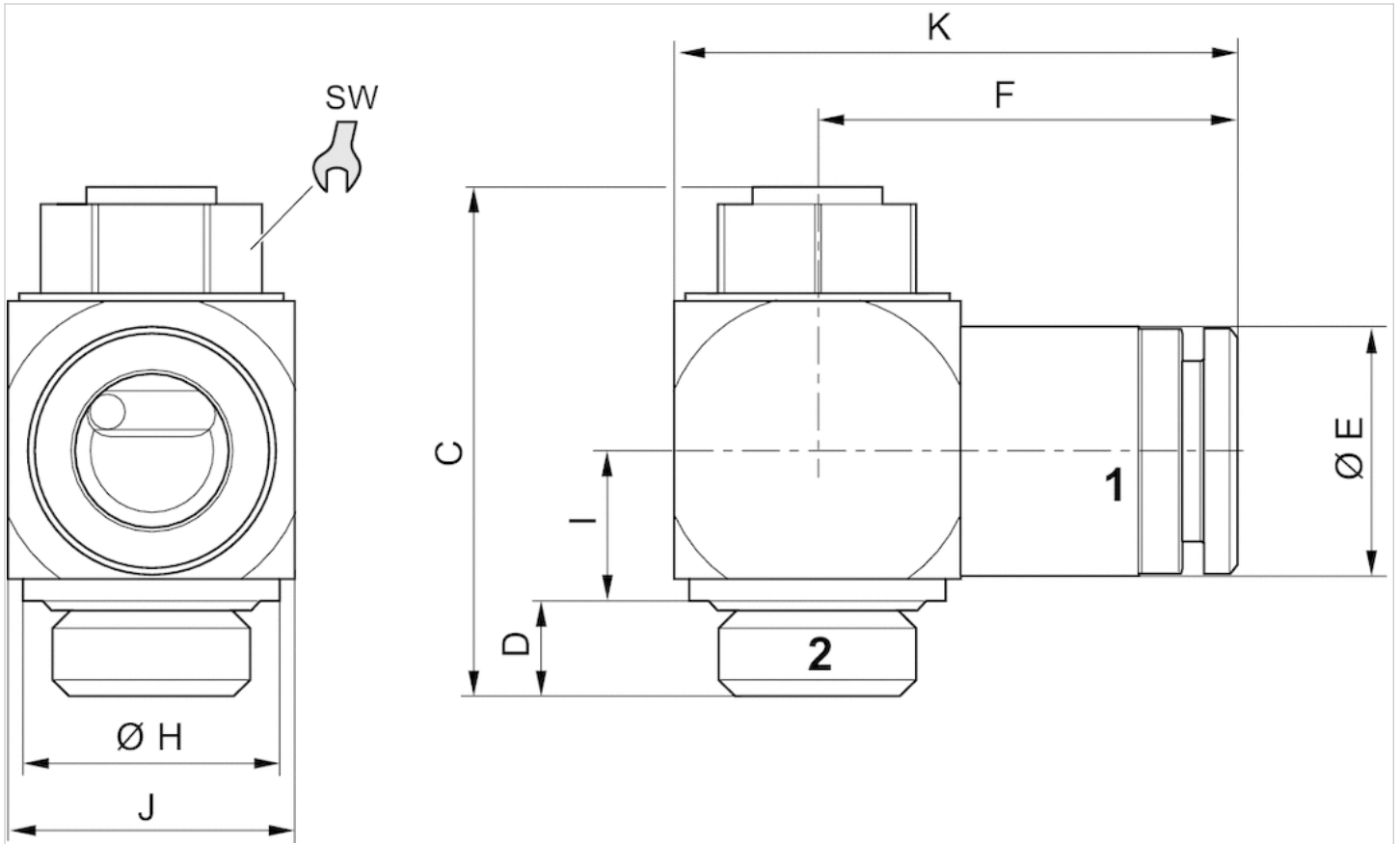
Nominal flow  $Q_n$  at 6 bar and  $\Delta p = 1 \text{ bar}$

## Technical information

Material	
Housing	Aluminum (anodized)
Flow control screw	Brass
Seals	Acrylonitrile butadiene rubber

## Dimensions

### Dimensions



## Dimensions

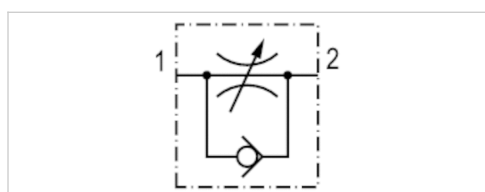
Part No.	Port 1	Port 2	C	D	ØE	F	ØH	I	J	K	SW
R412027120	Ø 4	M5	21.8	3.9	10.45	16.9	8.5	6.3	10.5	21.7	7
R412004995	Ø 6	M5	21.8	3.9	10.45	16.9	8.5	6.3	10.5	21.7	7
0821200242	Ø 6	G 1/8	28.5	5.1	13	23.3	14	8	15	30.3	10
0821200246	Ø 6	G 1/4	33.6	6.2	16	25.8	17	9.8	19	35.3	13
0821200244	Ø 8	G 1/8	28.5	5.1	13.8	24.3	14	8	15	31.2	10
0821200247	Ø 8	G 1/4	33.6	6.2	16	26.2	17	9.8	19	35.7	13
0821200248	Ø 8	G 3/8	41	7.2	16	30.2	22	13.3	24	42.7	16
0821200253	Ø 10	G 1/4	33.6	6.2	16	27.9	17	9.8	19	37.4	13
0821200249	Ø 10	G 3/8	41	7.2	19	30.9	22	13.3	24	43.4	16
R412007432	Ø 12	G 3/8	41	7.2	22	33	22	13.3	24	45.5	16

# Check-choke valve, Series CC02-AL

- $Q_n 1 \rightarrow 2 = 70\text{-}540 \text{ l/min}$
- direction of throttle  $1 \rightarrow 2$
- inlet-side throttling
- push-in fitting / External thread



Working pressure min./max.	0.5 ... 10 bar
Ambient temperature min./max.	-10 ... 70 °C
Medium temperature min./max.	-10 ... 70 °C
Medium	Compressed air



## Technical data

Part No.	Port 1	Port 2	Throttle bore	Flow
			Ø	$Q_n 1 \rightarrow 2$
R412007942	Ø 4	G 1/8	3.5 mm	360 l/min
R412007861	Ø 6	M5	2 mm	85 l/min
R412027119	Ø 4	M5	3.5 mm	70 l/min
0821200236	Ø 6	G 1/8	3.5 mm	360 l/min
0821200238	Ø 6	G 1/4	4.5 mm	540 l/min
0821200237	Ø 8	G 1/8	3.5 mm	360 l/min
0821200239	Ø 8	G 1/4	4.5 mm	540 l/min

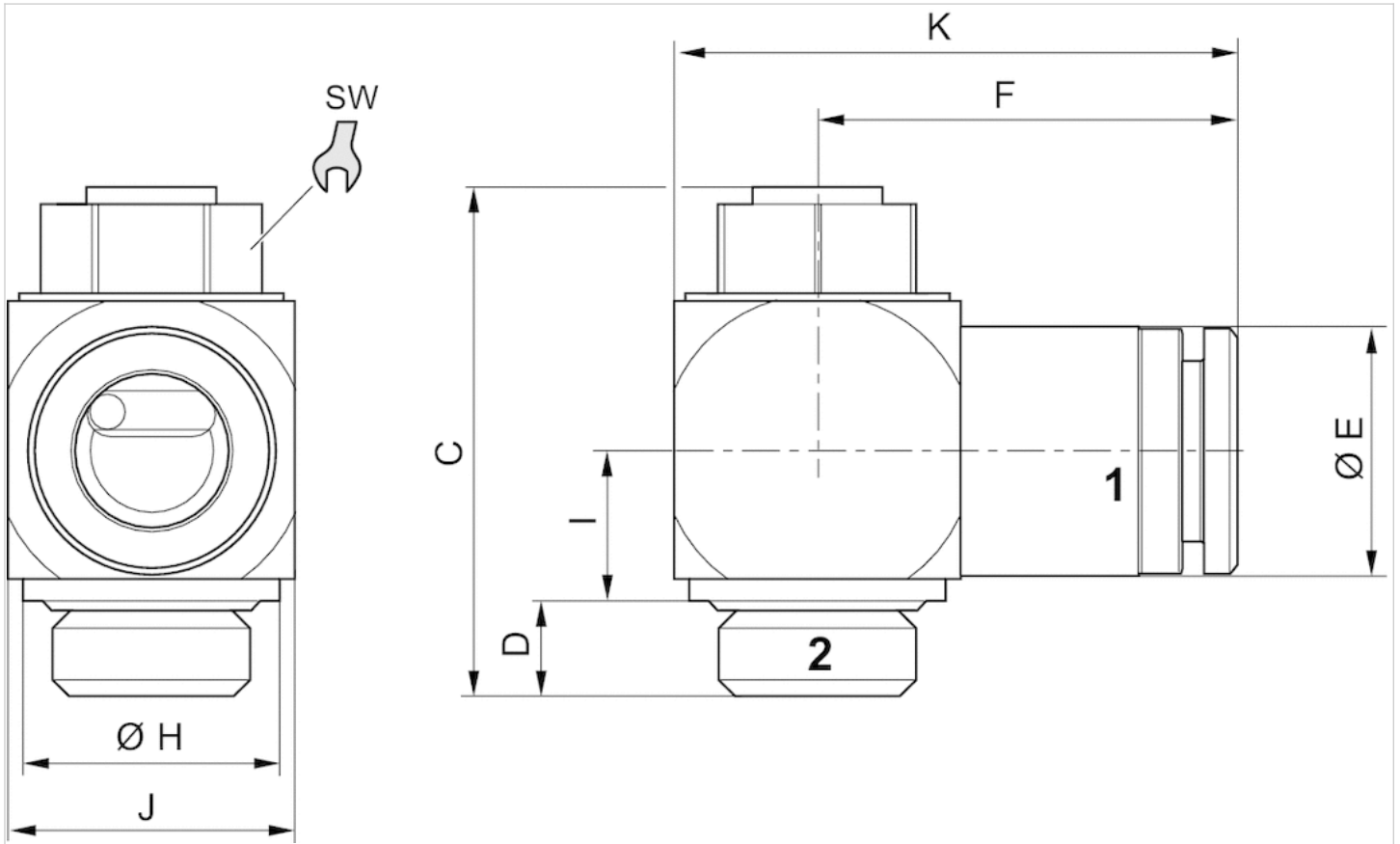
Nominal flow  $Q_n$  at 6 bar and  $\Delta p = 1 \text{ bar}$

## Technical information

Material	
Housing	Aluminum (anodized)
Flow control screw	Brass
Seals	Acrylonitrile butadiene rubber

## Dimensions

### Dimensions



## Dimensions

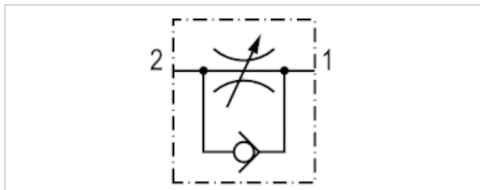
Part No.	Port 1	Port 2	C	D	ØE	F	ØH	I	J	K	SW
R412007942	Ø 4	G 1/8	28.5	5.1	12	20.8	14	8	15	27.8	10
R412007861	Ø 6	M5	21.8	3.9	10.45	16.9	8.5	6.3	10.5	21.7	7
R412027119	Ø 4	M5	21.8	3.9	10.45	16.9	8.5	6.3	10.5	21.7	7
0821200236	Ø 6	G 1/8	28.5	5.1	13	23.3	14	8	15	30.3	10
0821200238	Ø 6	G 1/4	33.6	6.2	16	25.8	17	9.8	19	35.3	13
0821200237	Ø 8	G 1/8	28.5	5.1	13.8	24.3	14	8	15	31.2	10
0821200239	Ø 8	G 1/4	33.6	6.2	16	26.2	17	9.8	19	35.3	13

# Check-choke valve, Series CC02-AL-HNBR

- Seal: Hydrogenated nitrile butadiene rubber, ozone-resistant
- $Q_n 2 \rightarrow 1 = 59-294 \text{ l/min}$
- direction of throttle  $2 \rightarrow 1$
- exhaust air throttling
- push-in fitting / External thread



Working pressure min./max.	0.5 ... 10 bar
Ambient temperature min./max.	-10 ... 80 °C
Medium temperature min./max.	-10 ... 80 °C
Medium	Compressed air



## Technical data

Part No.	Port 1	Port 2	Throttle bore	Flow
			Ø	$Q_n 2 \rightarrow 1$
R412026724	Ø 4	M5	2 mm	70 l/min
R412026730	Ø 4	G 1/8	3.5 mm	59 l/min
R412026725	Ø 6	M5	2 mm	80 l/min
R412026726	Ø 6	G 1/8	3.5 mm	294 l/min
R412026727	Ø 8	G 1/8	3.5 mm	285 l/min

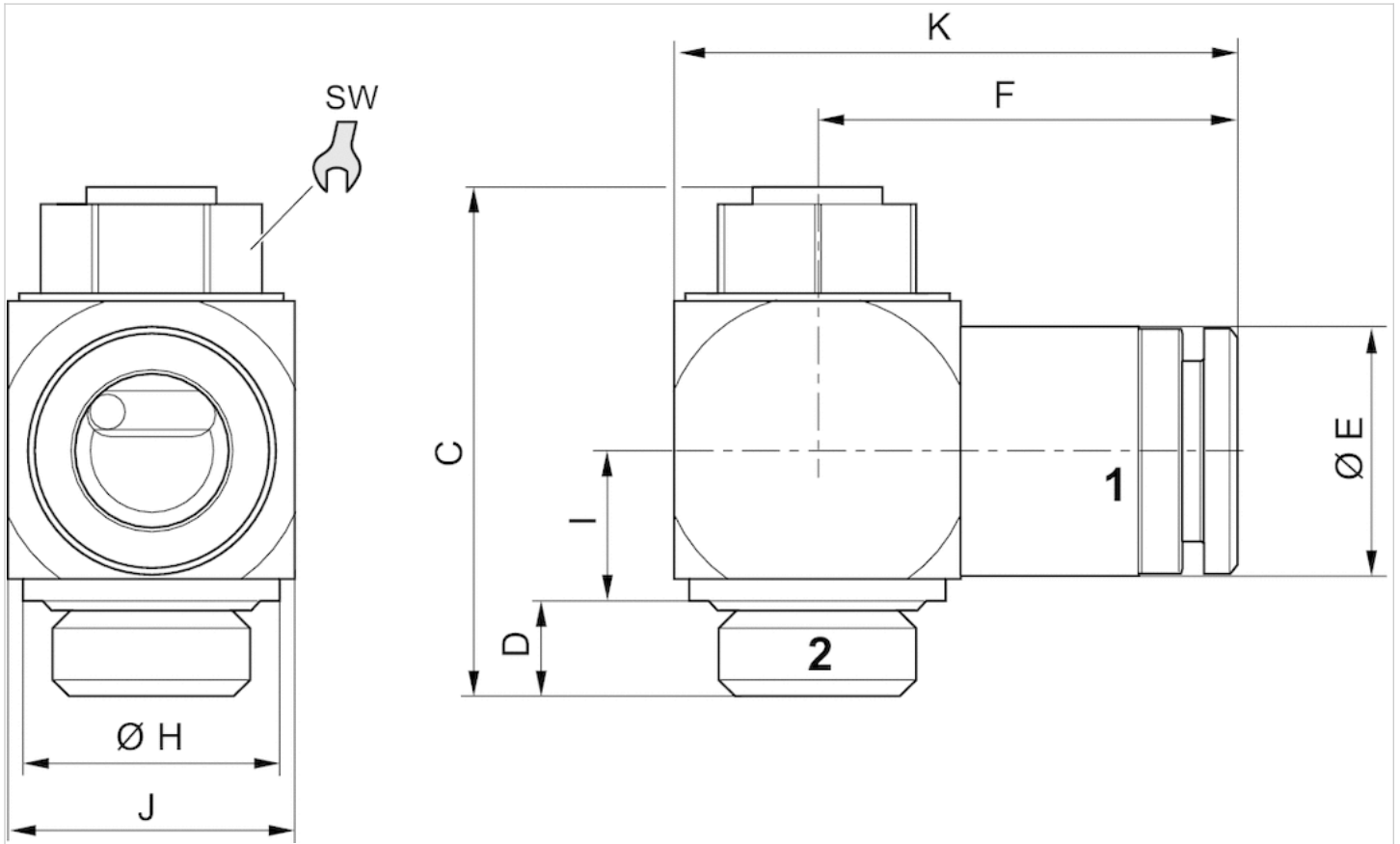
Nominal flow  $Q_n$  at 6 bar and  $\Delta p = 1 \text{ bar}$

## Technical information

Material	
Housing	Aluminum (anodized)
Flow control screw	Brass
Seals	Hydrogenated nitrile butadiene rubber

## Dimensions

### Dimensions



## Dimensions

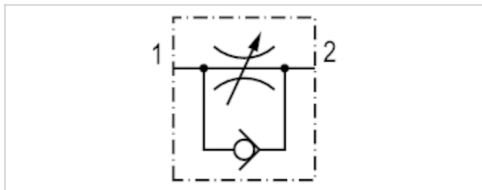
Part No.	Port 1	Port 2	C	D	ØE	F	ØH	I	J	K	SW
R412026724	Ø 4	M5	21.8	3.9	9	16.9	8.5	6.3	10.5	21.7	7
R412026730	Ø 4	G 1/8	28.5	5.1	12	20.8	14	8	15	27.8	10
R412026725	Ø 6	M5	21.8	3.9	10.45	16.9	8.5	6.3	10.5	21.7	7
R412026726	Ø 6	G 1/8	28.5	5.1	13	23.3	14	8	15	30.3	10
R412026727	Ø 8	G 1/8	28.5	5.1	13.8	24.3	14	8	15	31.2	10

# Check-choke valve, Series CC02-AL-HNBR

- Seal: Hydrogenated nitrile butadiene rubber, ozone-resistant
- $Q_n 1 \rightarrow 2 = 70\text{-}360 \text{ l/min}$
- direction of throttle  $1 \rightarrow 2$
- inlet-side throttling
- push-in fitting / External thread



Working pressure min./max.	0.5 ... 10 bar
Ambient temperature min./max.	-10 ... 80 °C
Medium temperature min./max.	-10 ... 80 °C
Medium	Compressed air



## Technical data

Part No.	Port 1	Port 2	Throttle bore	Flow
			Ø	$Q_n 1 \rightarrow 2$
R412026728	Ø 4	M5	2 mm	70 l/min
R412026729	Ø 6	G 1/8	3.5 mm	360 l/min

Nominal flow  $Q_n$  at 6 bar and  $\Delta p = 1 \text{ bar}$

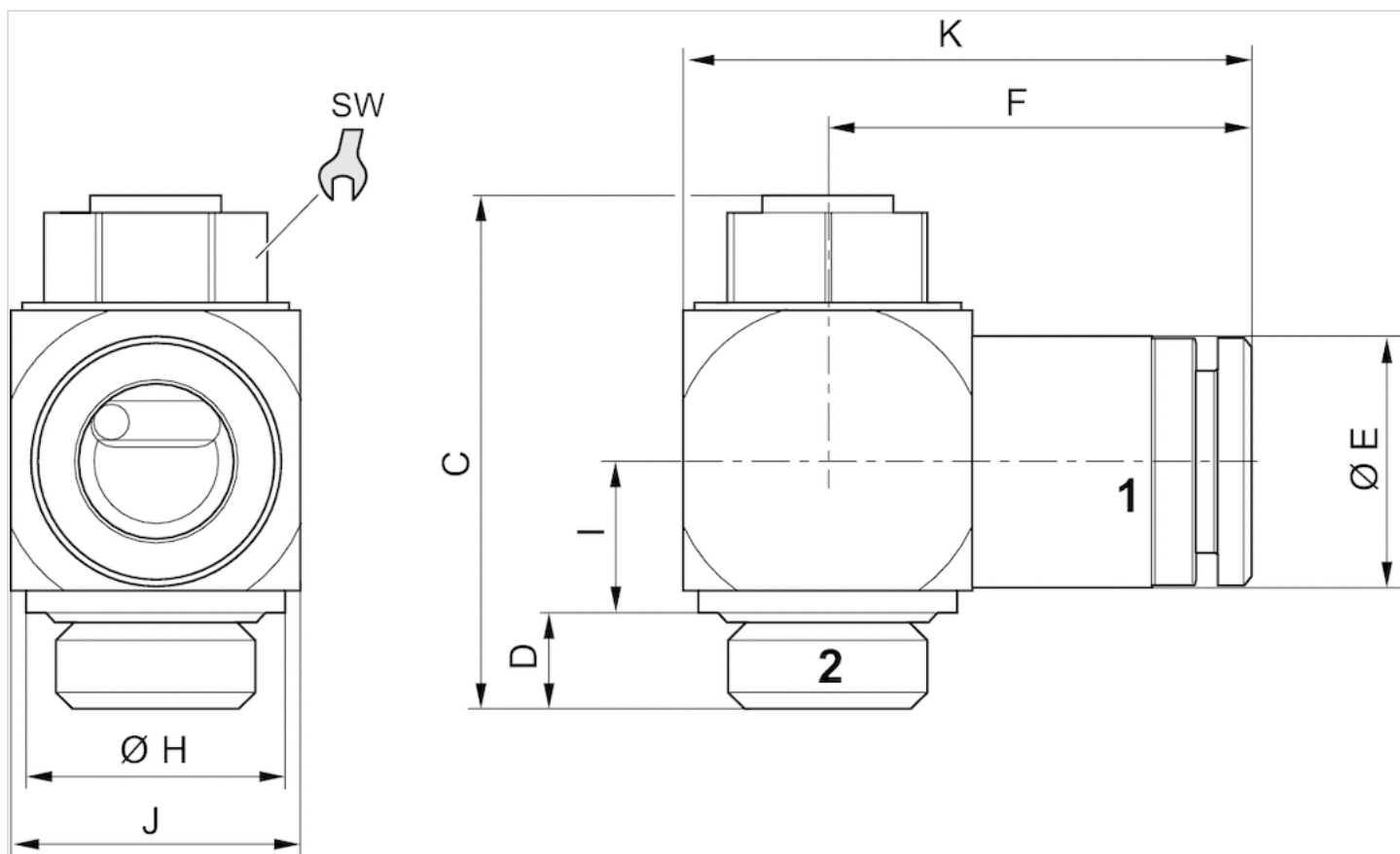
## Technical information

Material	
Housing	Aluminum (anodized)
Flow control screw	Brass
Seals	Hydrogenated nitrile butadiene rubber



## Dimensions

## Dimensions



## Dimensions

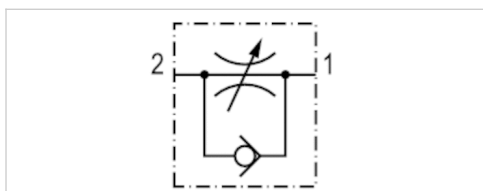
Part No.	Port 1	Port 2	C	D	$\varnothing E$	F	$\varnothing H$	I	J	K	SW
R412026728	$\varnothing 4$	M5	21.8	3.9	9	16.9	8.5	6.3	10.5	21.7	7
R412026729	$\varnothing 6$	G 1/8	28.5	5.1	13	23.3	14	8	15	30.3	10

# Check-choke valve, Series CC02-AL

- $Q_n 2 \rightarrow 1 = 85-900 \text{ l/min}$
- direction of throttle  $2 \rightarrow 1$
- exhaust air throttling
- plug-in with tube nut / External thread



Working pressure min./max.	0.5 ... 10 bar
Ambient temperature min./max.	-10 ... 70 °C
Medium temperature min./max.	-10 ... 70 °C
Medium	Compressed air



## Technical data

Part No.	Port 1	Port 2	Throttle bore	Flow
			Ø	$Q_n 2 \rightarrow 1$
0821200117	Ø 3x0,6	M5	2 mm	85 l/min
R412026121	Ø 3x1	M5	2 mm	85 l/min
R412026120	Ø 4x1	M5	2 mm	85 l/min
R412026119	Ø 4x1	G 1/8	3.5 mm	360 l/min
0821200181	Ø 4x1	G 1/4	4.5 mm	540 l/min
R412004775	Ø 6x1	G 1/8	3 mm	360 l/min
R412004776	Ø 6x1	G 1/4	4.5 mm	540 l/min
0821200184	Ø 6x1	G 3/8	6.6 mm	900 l/min
0821200185	Ø 9x1,5	G 3/8	6.6 mm	900 l/min

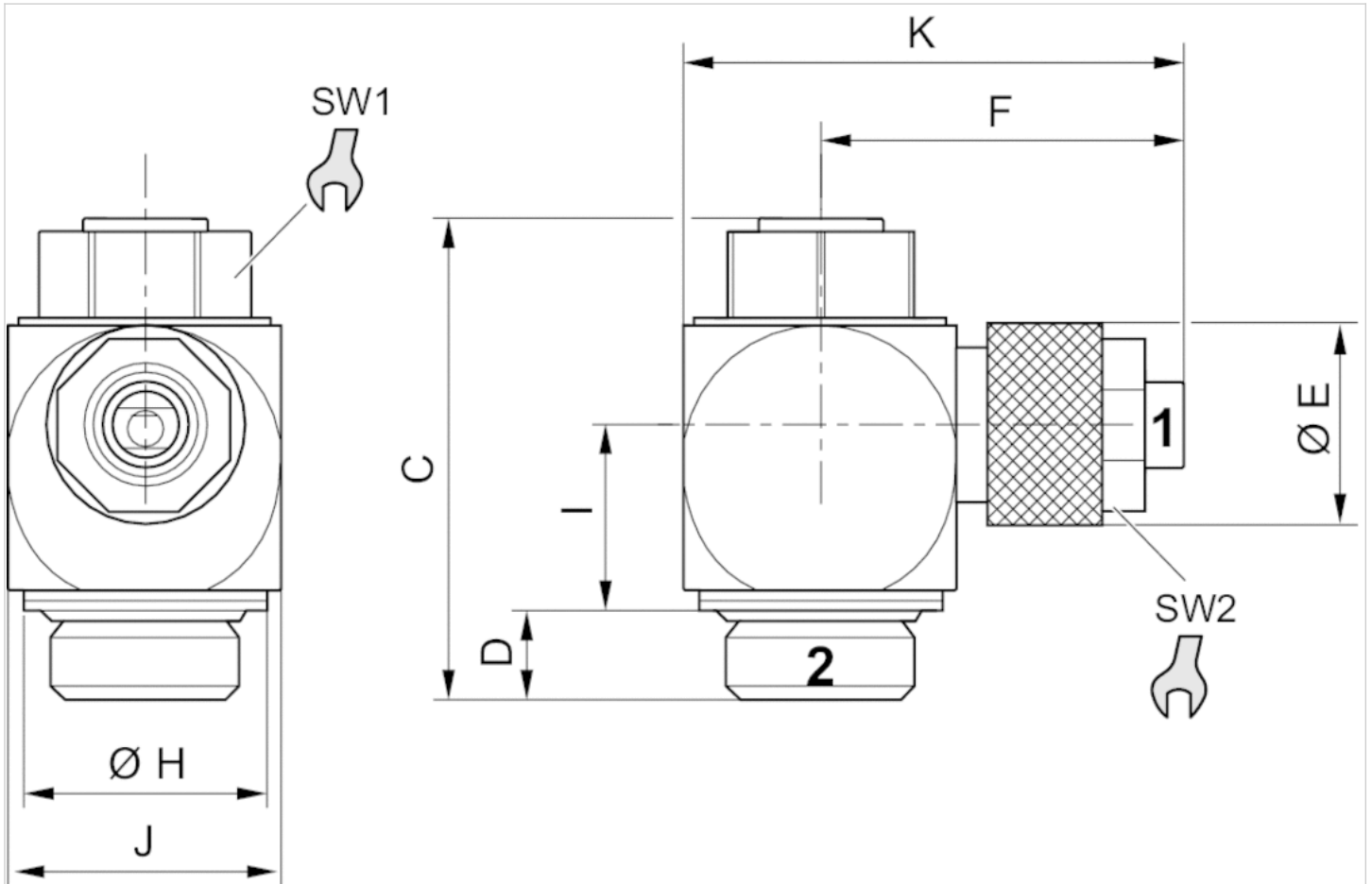
Nominal flow  $Q_n$  at 6 bar and  $\Delta p = 1 \text{ bar}$ , Port 1 = Pipe inside diameter x wall thickness

## Technical information

Material	
Housing	Aluminum (anodized)
Flow control screw	Brass
Seals	Acrylonitrile butadiene rubber

## Dimensions

### Dimensions



## Dimensions

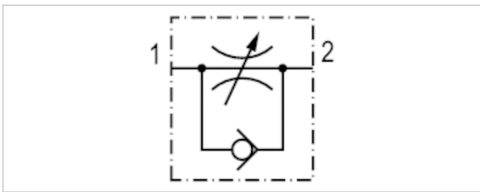
Part No.	Port 1	Port 2	C	D	ØE	F	ØH	I	J	K	SW1	SW2
0821200117	Ø 3x0,6	M5	21.8	4.1	10	16	8.5	7.4	10	21.5	7	8
R412026121	Ø 3x1	M5	21.8	4.1	10	16	8.5	7.4	10	21.5	7	8
R412026120	Ø 4x1	M5	21.8	4.1	10	16	8.5	7.4	10	22	7	8
R412026119	Ø 4x1	G 1/8	28.5	5.5	10	20	14	10.5	15	28	10	8
0821200181	Ø 4x1	G 1/4	33.6	6.2	8	24.3	17	13	19	31.6	13	8
R412004775	Ø 6x1	G 1/8	28.5	5.5	14	23.8	14	10.5	15	31.8	10	12
R412004776	Ø 6x1	G 1/4	33.6	6.2	12	25.5	17	13	19	35.1	13	12
0821200184	Ø 6x1	G 3/8	41	7.2	14	27.6	22	15.2	24	39.6	16	12
0821200185	Ø 9x1,5	G 3/8	41	7.2	17	28.2	22	16.3	24	40.2	16	15

# Check-choke valve, Series CC02-AL

- $Q_n 1 \rightarrow 2 = 85 \text{ l/min}$
- direction of throttle  $1 \rightarrow 2$
- inlet-side throttling
- plug-in with tube nut / External thread



Working pressure min./max.	0.5 ... 10 bar
Ambient temperature min./max.	-10 ... 70 °C
Medium temperature min./max.	-10 ... 70 °C
Medium	Compressed air



## Technical data

Part No.	Port 1	Port 2	Throttle bore	Flow
			Ø	$Q_n 1 \rightarrow 2$
0821200118	Ø 3x0,65	M5	2 mm	85 l/min
R412026123	Ø 3x1	M5	2 mm	85 l/min
R412026122	Ø 4x1	M5	2 mm	85 l/min

Nominal flow  $Q_n$  at 6 bar and  $\Delta p = 1 \text{ bar}$

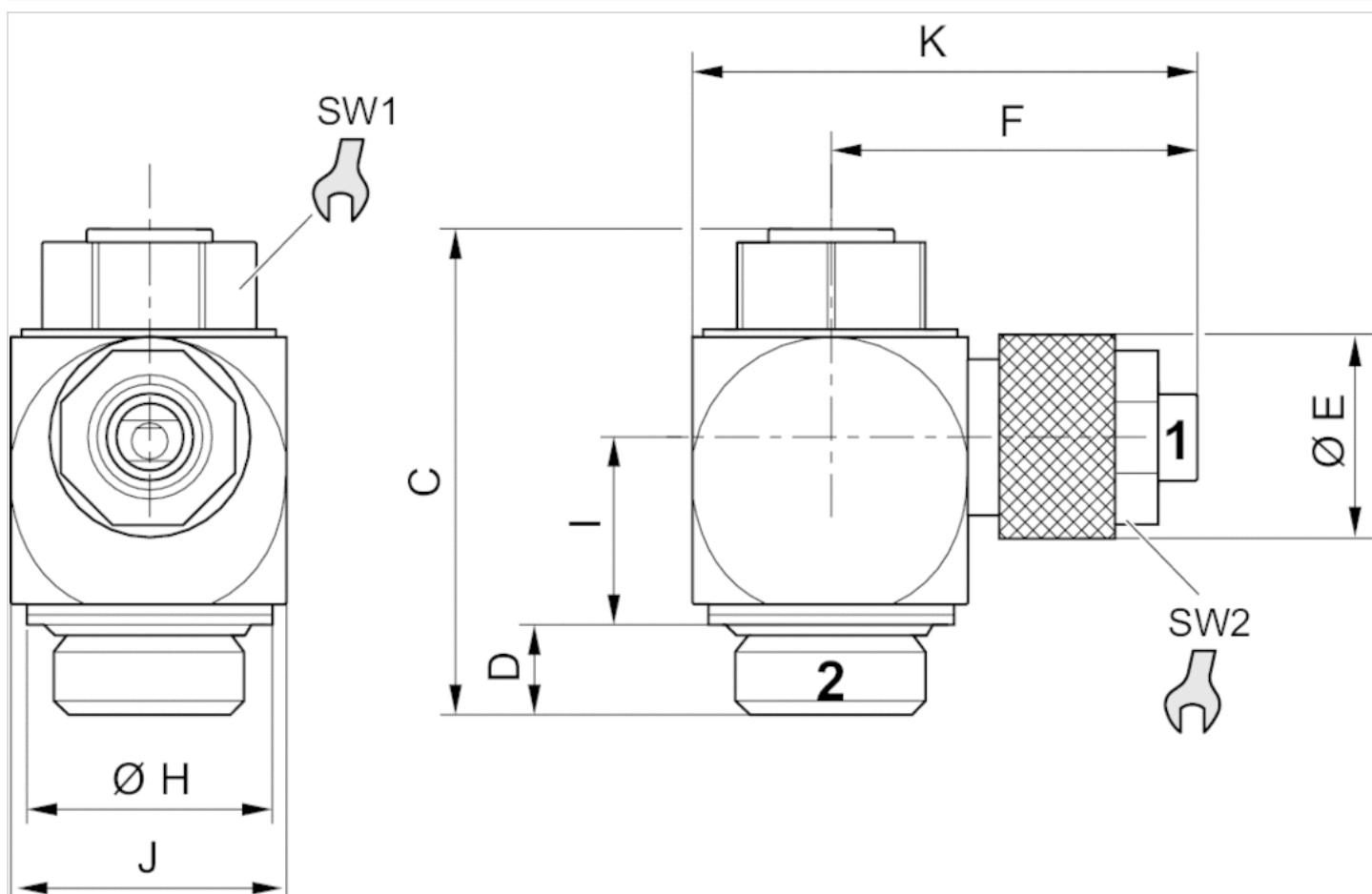
Port 1 = Pipe inside diameter x wall thickness

## Technical information

Material	
Housing	Aluminum (anodized)
Flow control screw	Brass
Seals	Acrylonitrile butadiene rubber

## Dimensions

## Dimensions



## Dimensions

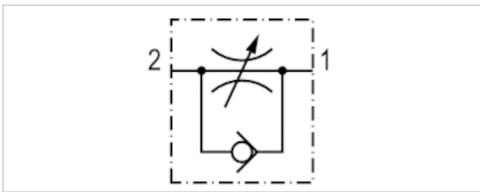
Part No.	Port 1	Port 2	C	D	$\text{ØE}$	F	$\text{ØH}$	I	J	K	SW1	SW2
0821200118	$\text{Ø} 3 \times 0,65$	M5	21.8	4.1	10	16	8.5	7.4	10	21.5	7	8
R412026123	$\text{Ø} 3 \times 1$	M5	21.8	4.1	10	16	8.5	7.4	10	21.5	7	8
R412026122	$\text{Ø} 4 \times 1$	M5	21.8	4.1	10	16	8.5	7.4	10	22	7	8

# Check-choke valve, Series CC02-AL

- $Q_n 2 \rightarrow 1 = 68-2691$  l/min
- direction of throttle  $2 \rightarrow 1$
- exhaust air throttling
- Internal thread / External thread



Working pressure min./max.	0.5 ... 10 bar
Ambient temperature min./max.	-10 ... 70 °C
Medium temperature min./max.	-10 ... 70 °C
Medium	Compressed air



## Technical data

Part No.	Port 1	Port 2	Throttle bore	Flow
			Ø	$Q_n 2 \rightarrow 1$
R412004833	M5	M5	2 mm	68 l/min
0821200204	G 1/8	G 1/8	3.5 mm	363 l/min
0821200205	G 1/4	G 1/4	4.5 mm	568 l/min
0821200206	G 3/8	G 3/8	6.6 mm	1196 l/min
0821200207	G 1/2	G 1/2	10 mm	2691 l/min

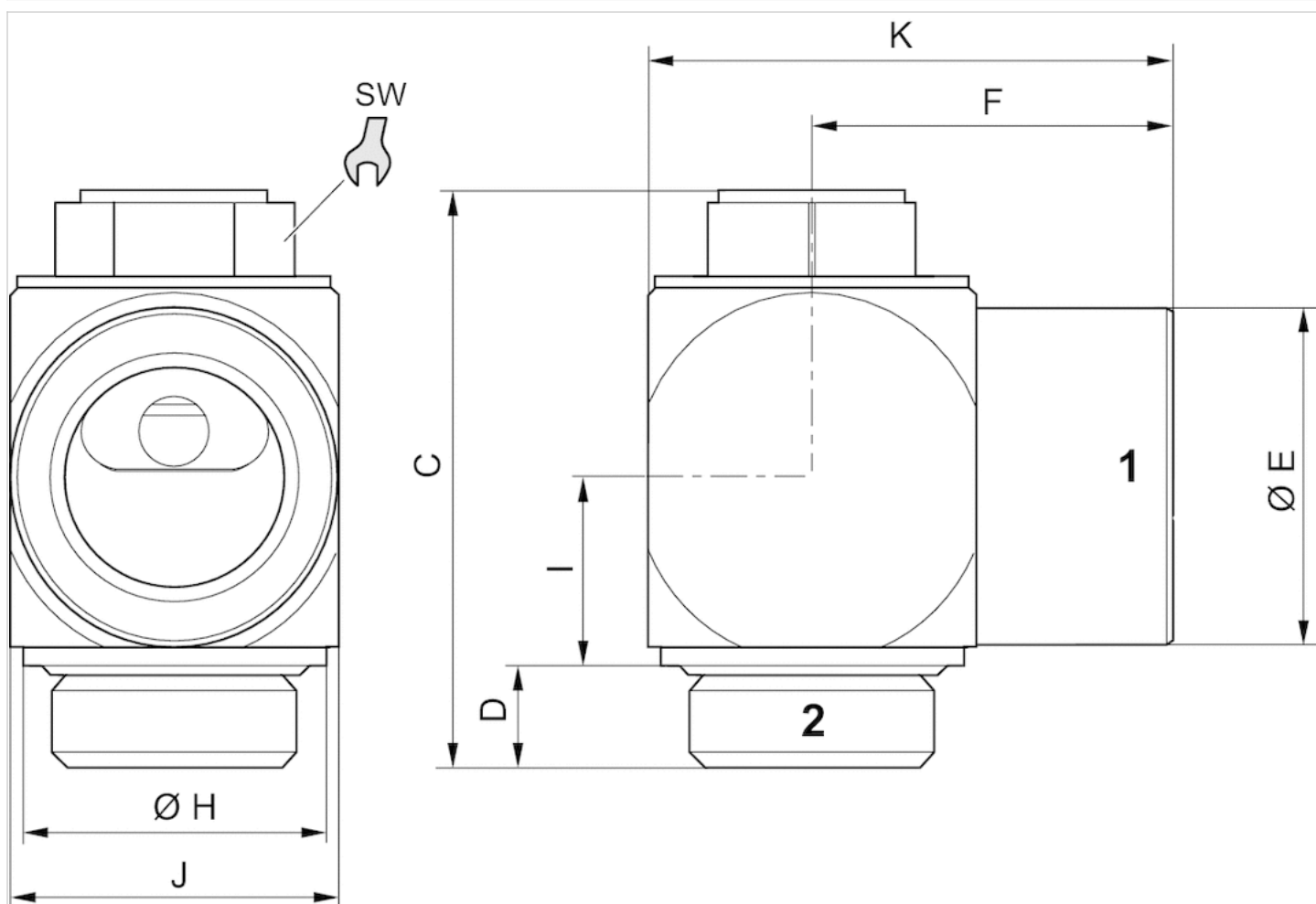
Nominal flow  $Q_n$  at 6 bar and  $\Delta p = 1$  bar

## Technical information

Material	
Housing	Aluminum (anodized)
Flow control screw	Brass
Seals	Acrylonitrile butadiene rubber

## Dimensions

### Dimensions



## Dimensions

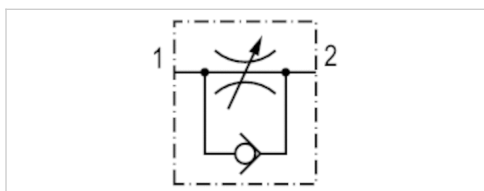
Part No.	Port 1	Port 2	C	D	ØE	F	ØH	I	J	K	SW
R412004833	M5	M5	21.8	4.1	8	10	8.5	5.8	9	15	7
0821200204	G 1/8	G 1/8	28.5	5.3	13	16.5	14	7.9	15	23.5	10
0821200205	G 1/4	G 1/4	33.6	6.2	16	18	17	9.5	19	28	13
0821200206	G 3/8	G 3/8	41	7.2	22	26	22	13.3	24	38	16
0821200207	G 1/2	G 1/2	47.8	8.5	28	31	26	15.7	28	45	18

# Check-choke valve, Series CC02-AL

- $Q_n 1 \rightarrow 2 = 85-540 \text{ l/min}$
- direction of throttle  $1 \rightarrow 2$
- inlet-side throttling
- Internal thread / External thread



Working pressure min./max.	0.5 ... 10 bar
Ambient temperature min./max.	-10 ... 70 °C
Medium temperature min./max.	-10 ... 70 °C
Medium	Compressed air



## Technical data

Part No.	Port 1	Port 2	Throttle bore	Flow
			$\varnothing$	$Q_n 1 \rightarrow 2$
R412004836	M5	M5	2 mm	85 l/min
0821200201	G 1/8	G 1/8	3.5 mm	360 l/min
0821200202	G 1/4	G 1/4	4.5 mm	540 l/min

Nominal flow  $Q_n$  at 6 bar and  $\Delta p = 1 \text{ bar}$

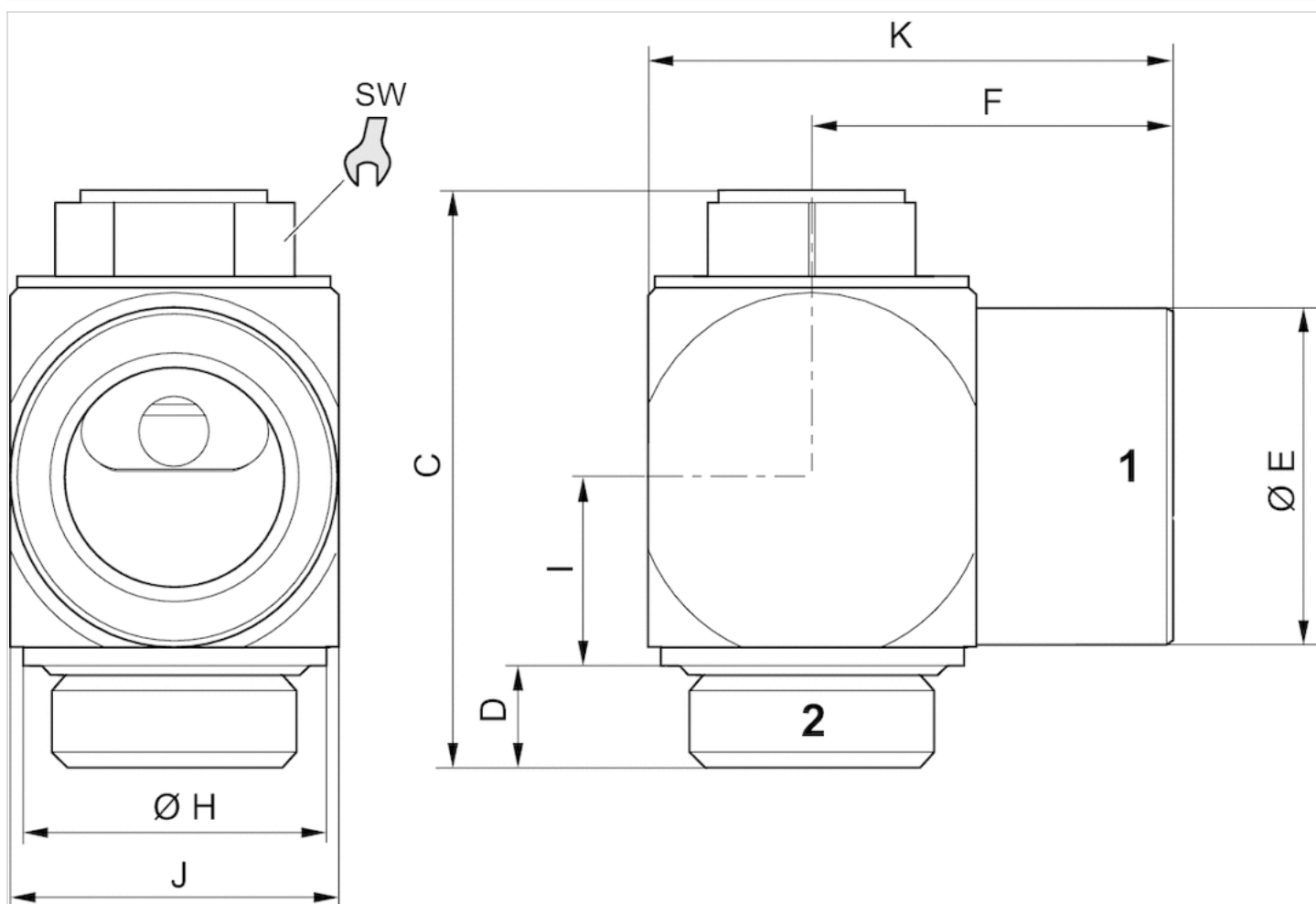
## Technical information

Material	
Housing	Aluminum (anodized)
Flow control screw	Brass
Seals	Acrylonitrile butadiene rubber



## Dimensions

### Dimensions



## Dimensions

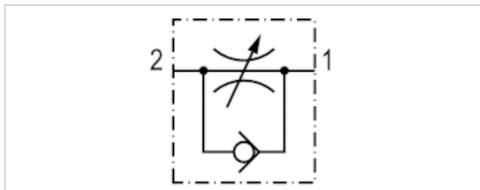
Part No.	Port 1	Port 2	C	D	ØE	F	ØH	I	J	K	SW
R412004836	M5	M5	21.8	4.1	8	10	8.5	5.8	9	15	7
0821200201	G 1/8	G 1/8	28.5	5.3	13	16.5	14	7.9	15	23.5	10
0821200202	G 1/4	G 1/4	33.6	6.2	16	18	17	9.5	19	28	13

# Check-choke valve, Series CC02-AL-HNBR

- Seal: Hydrogenated nitrile butadiene rubber, ozone-resistant
- $Q_n 2 \rightarrow 1 = 363 \text{ l/min}$
- direction of throttle  $2 \rightarrow 1$
- exhaust air throttling
- Internal thread / External thread



Working pressure min./max.	0.5 ... 10 bar
Ambient temperature min./max.	-10 ... 80 °C
Medium temperature min./max.	-10 ... 80 °C
Medium	Compressed air



## Technical data

Part No.	Port 1	Port 2	Throttle bore	Flow
			$\varnothing$	$Q_n 2 \rightarrow 1$
R412026731	G 1/8	G 1/8	3.5 mm	363 l/min

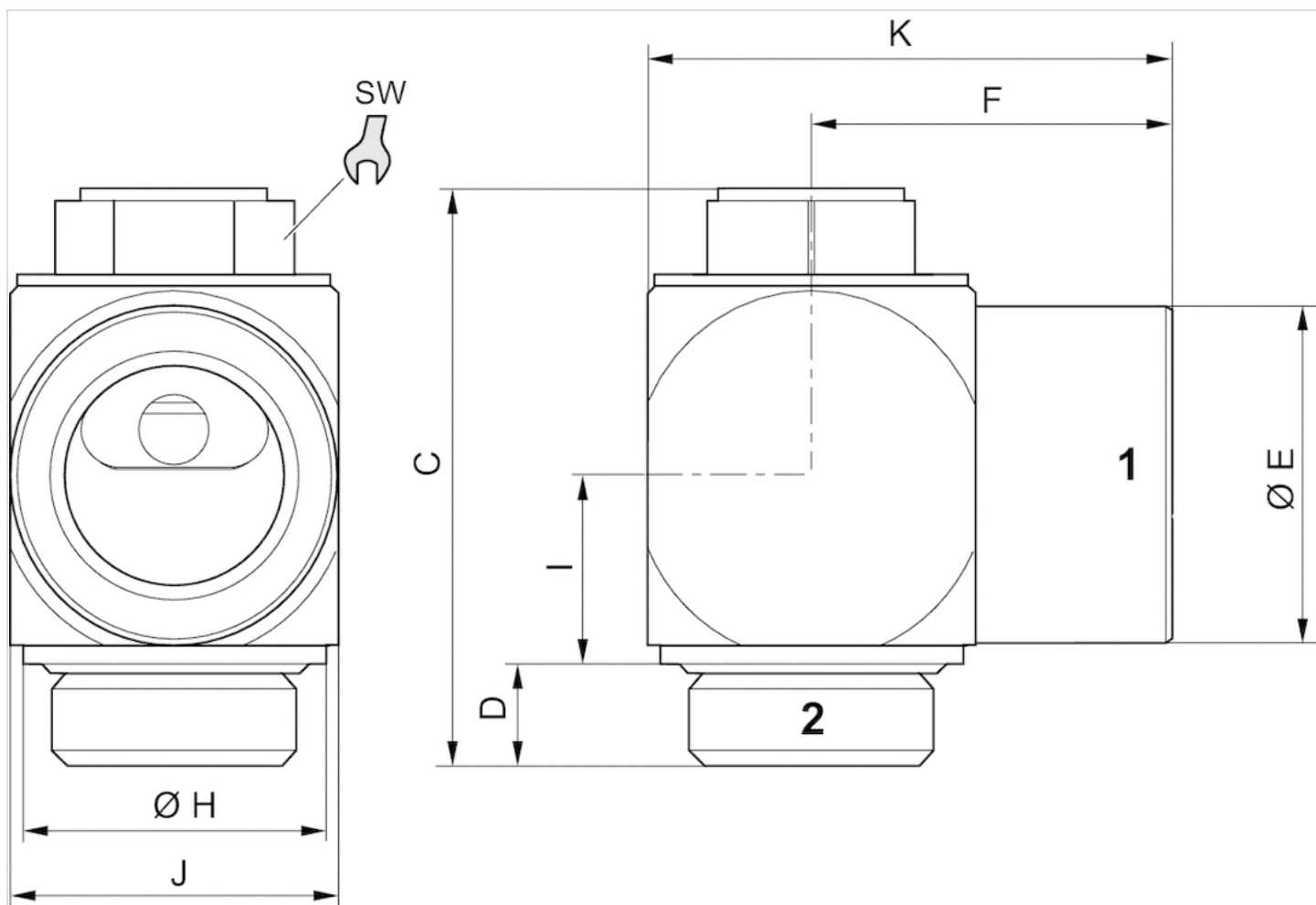
Nominal flow  $Q_n$  at 6 bar and  $\Delta p = 1 \text{ bar}$

## Technical information

Material	
Housing	Aluminum (anodized)
Flow control screw	Brass
Seals	Hydrogenated nitrile butadiene rubber

## Dimensions

### Dimensions



## Dimensions

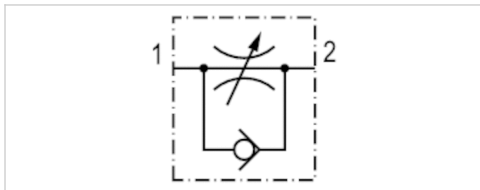
Part No.	Port 1	Port 2	C	D	ØE	F	ØH	I	J	K	SW
R412026731	G 1/8	G 1/8	28.5	5.3	13	16.5	14	7.9	15	23.5	10

# Check-choke valve, Series CC02-AL-HNBR

- Seal: Hydrogenated nitrile butadiene rubber, ozone-resistant
- $Q_n 1 \rightarrow 2 = 314 \text{ l/min}$
- direction of throttle  $1 \rightarrow 2$
- inlet-side throttling
- Internal thread / External thread



Working pressure min./max.	0.5 ... 10 bar
Ambient temperature min./max.	-10 ... 80 °C
Medium temperature min./max.	-10 ... 80 °C
Medium	Compressed air



## Technical data

Part No.	Port 1	Port 2	Throttle bore	Flow
			$\varnothing$	$Q_n 1 \rightarrow 2$
R412026732	G 1/8	G 1/8	3.5 mm	314 l/min

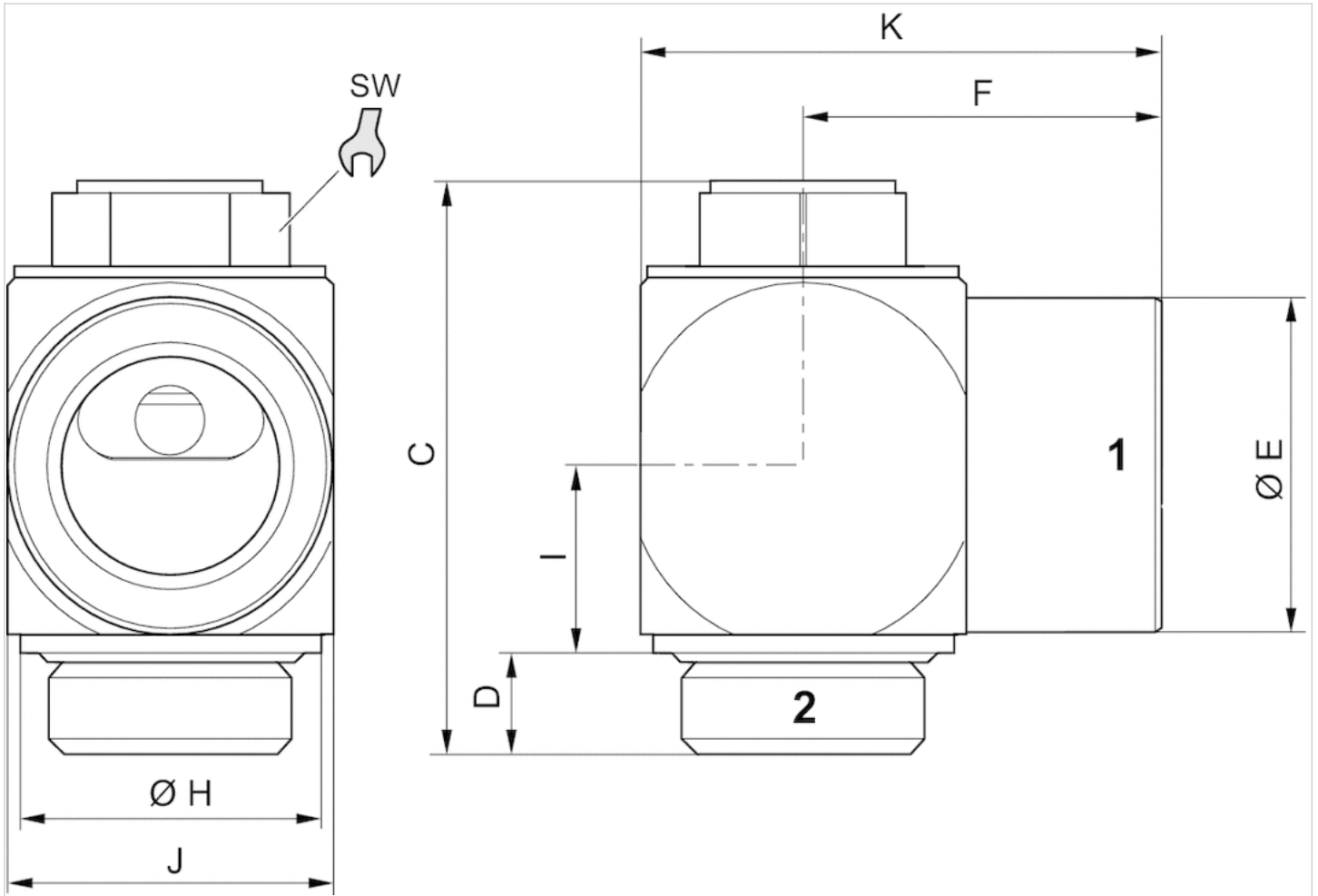
Nominal flow  $Q_n$  at 6 bar and  $\Delta p = 1 \text{ bar}$

## Technical information

Material	
Housing	Aluminum (anodized)
Flow control screw	Brass
Seals	Hydrogenated nitrile butadiene rubber

## Dimensions

### Dimensions



## Dimensions

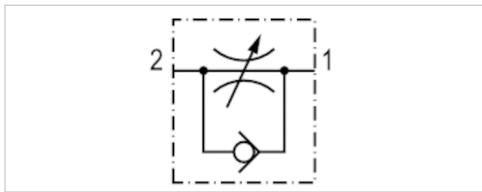
Part No.	Port 1	Port 2	C	D	ØE	F	ØH	I	J	K	SW
R412026732	G 1/8	G 1/8	28.5	5.3	13	16.5	14	7.9	15	23.5	10

# Check-choke valve, Series CC02-AL

- $Q_n 2 \rightarrow 1 = 360\text{-}540 \text{ l/min}$
- direction of throttle  $2 \rightarrow 1$
- exhaust air throttling
- push-in fitting / External thread



Working pressure min./max.	0.5 ... 10 bar
Ambient temperature min./max.	-10 ... 70 °C
Medium temperature min./max.	-10 ... 70 °C
Medium	Compressed air



## Technical data

Part No.	Port 1	Port 2	Throttle bore	Flow
			Ø	$Q_n 2 \rightarrow 1$
R412007688	Ø 6	G 1/8	3.5 mm	360 l/min
R412007664	Ø 6	G 1/4	4.5 mm	540 l/min
R412007689	Ø 8	G 1/8	3.5 mm	360 l/min
R412007614	Ø 8	G 1/4	4.5 mm	540 l/min

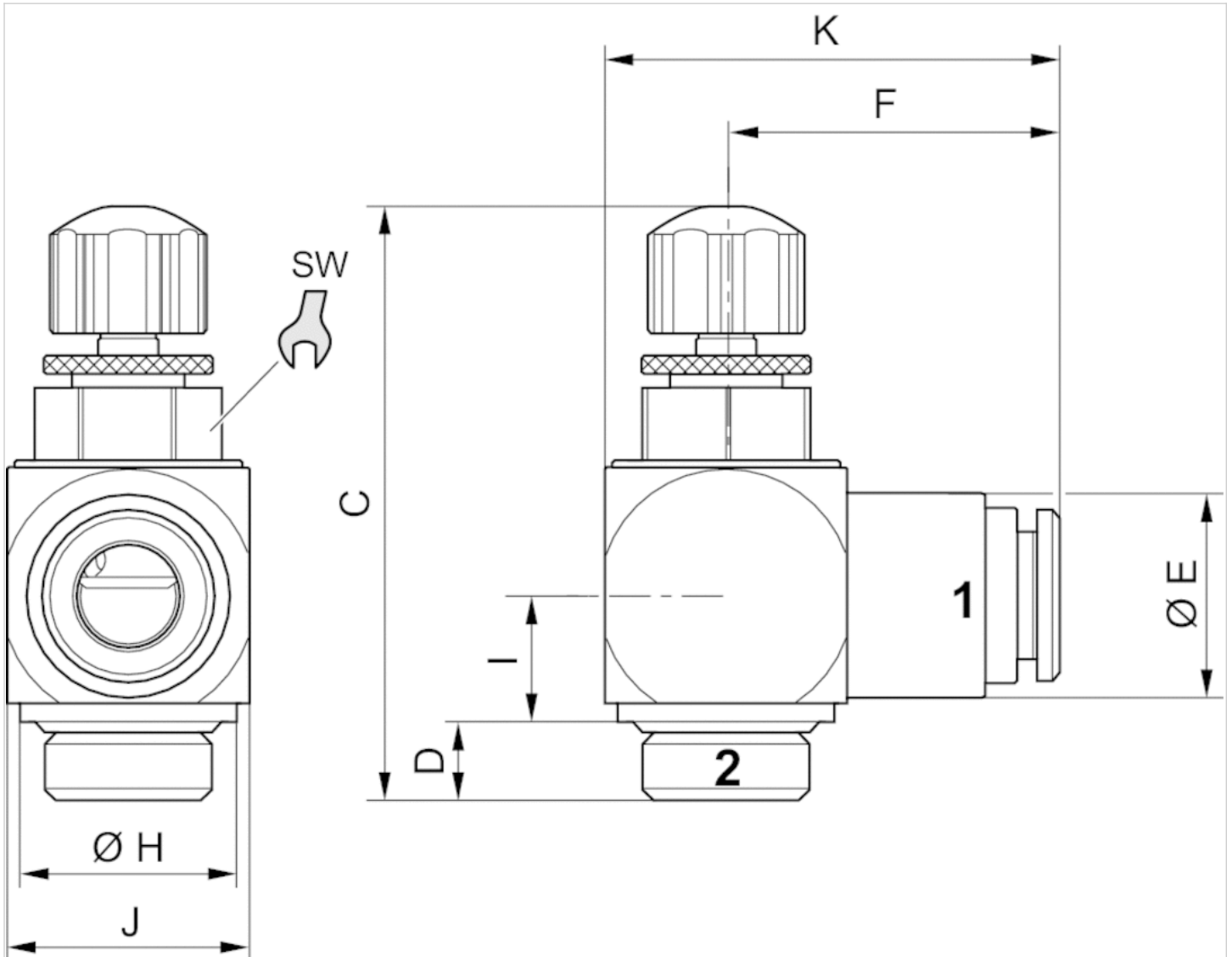
Nominal flow  $Q_n$  at 6 bar and  $\Delta p = 1 \text{ bar}$

## Technical information

Material	
Housing	Aluminum (anodized)
Flow control screw	Brass
Seals	Acrylonitrile butadiene rubber

## Dimensions

### Dimensions



## Dimensions

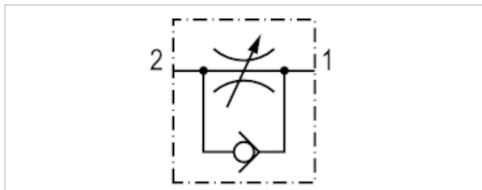
Part No.	Port 1	Port 2	C	D	$\varnothing E$	F	$\varnothing H$	I	J	K	SW
R412007688	$\varnothing 6$	G 1/8	41.2	5.1	13	23.3	14	8	15	30.2	10
R412007664	$\varnothing 6$	G 1/4	46.9	6.2	16	25.3	17	9.8	19	35.3	13
R412007689	$\varnothing 8$	G 1/8	41.2	5.1	13.8	24.3	14	8	15	31.2	10
R412007614	$\varnothing 8$	G 1/4	46.9	6.2	16	26.2	17	9.8	19	35.7	13

# Check-choke valve, Series CC02-AL-HNBR

- Seal: Hydrogenated nitrile butadiene rubber, ozone-resistant
- $Q_n 2 \rightarrow 1 = 284 \text{ l/min}$
- direction of throttle  $2 \rightarrow 1$
- exhaust air throttling
- push-in fitting / External thread



Working pressure min./max.	0.5 ... 10 bar
Ambient temperature min./max.	-10 ... 80 °C
Medium temperature min./max.	-10 ... 80 °C
Medium	Compressed air



## Technical data

Part No.	Port 1	Port 2	Throttle bore	Flow
			$\varnothing$	$Q_n 2 \rightarrow 1$
R412026733	$\varnothing 6$	G 1/8	3.5 mm	284 l/min

Nominal flow  $Q_n$  at 6 bar and  $\Delta p = 1 \text{ bar}$

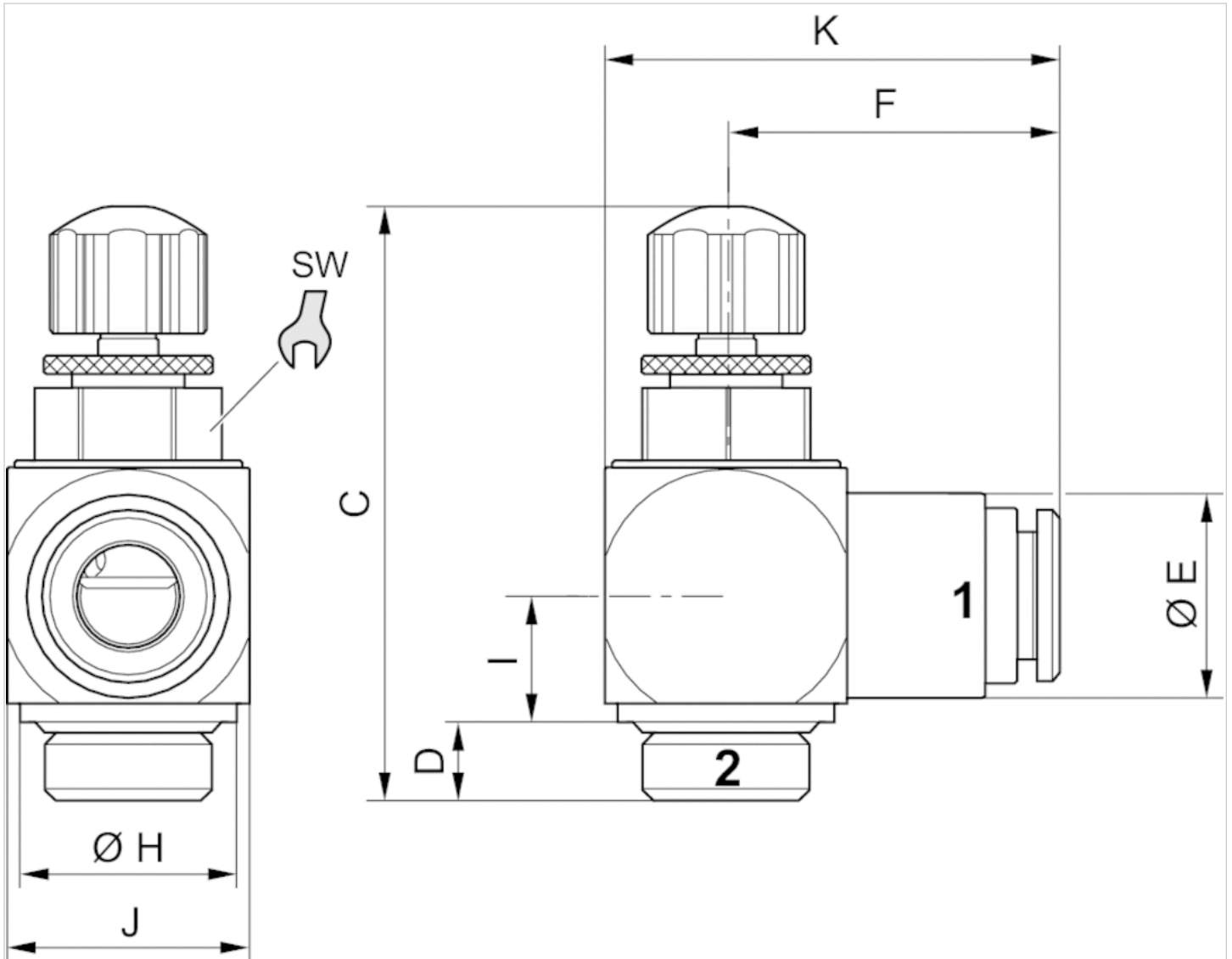
## Technical information

Material	
Housing	Aluminum (anodized)
Flow control screw	Brass
Seals	Hydrogenated nitrile butadiene rubber



## Dimensions

### Dimensions



## Dimensions

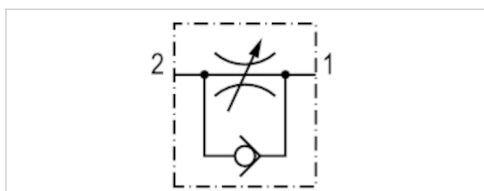
Part No.	Port 1	Port 2	C	D	ØE	F	ØH	I	J	K	SW
R412026733	Ø 6	G 1/8	41.2	5.1	13	23.3	14	8	15	30.2	10

# Check-choke valve, Series CC02-AL

- $Q_n 2 \rightarrow 1 = 360\text{-}540 \text{ l/min}$
- direction of throttle  $2 \rightarrow 1$
- exhaust air throttling
- push-in fitting / External thread



Working pressure min./max.	0.5 ... 10 bar
Ambient temperature min./max.	-10 ... 70 °C
Medium temperature min./max.	-10 ... 70 °C
Medium	Compressed air



## Technical data

Part No.	Port 1	Port 2	Throttle bore	Flow
			Ø	$Q_n 2 \rightarrow 1$
0821200241	Ø 4	G 1/8	3.5 mm	360 l/min
0821200243	Ø 6	G 1/8	3.5 mm	360 l/min
0821200245	Ø 6	G 1/4	4.5 mm	540 l/min

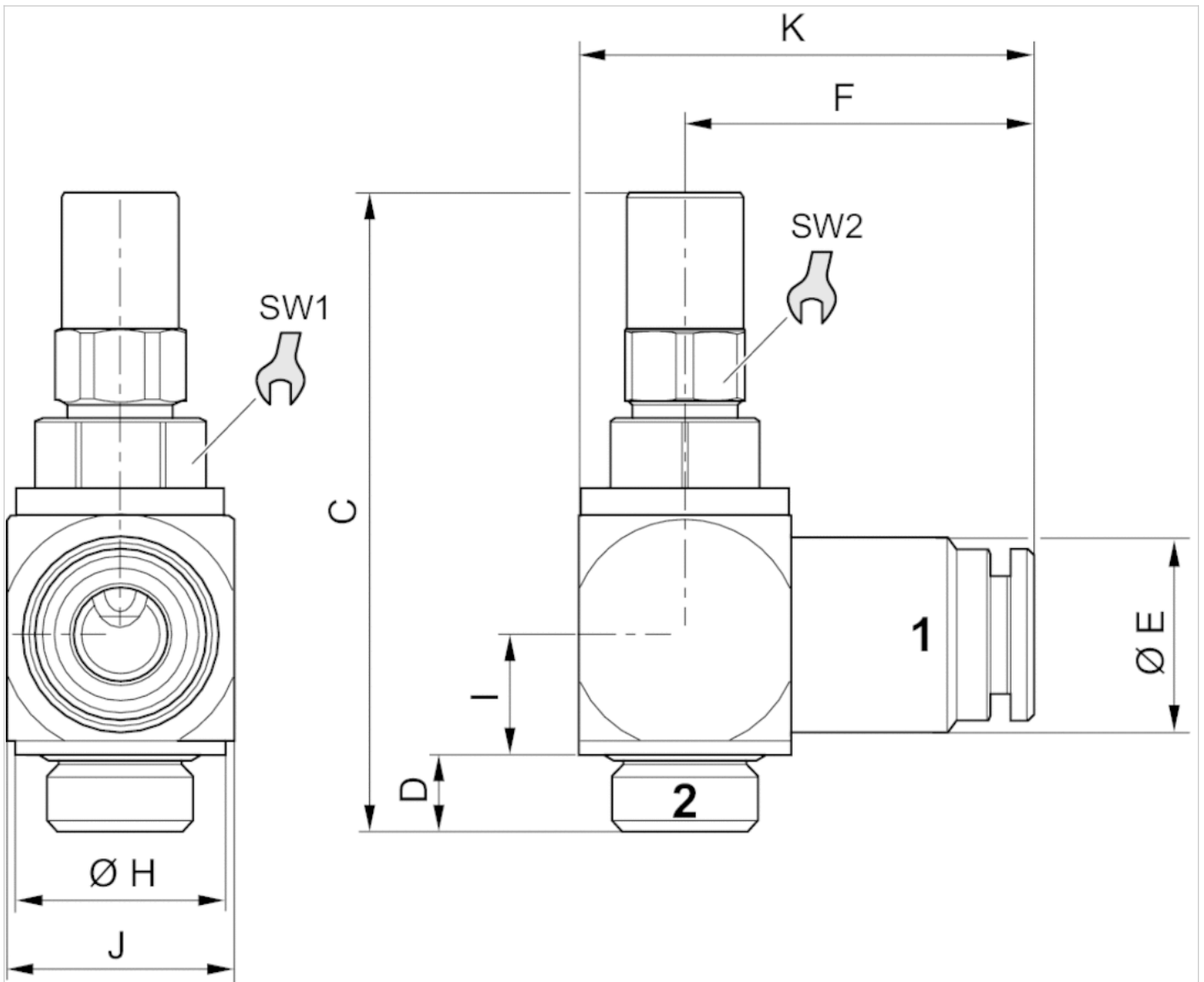
Nominal flow  $Q_n$  at 6 bar and  $\Delta p = 1 \text{ bar}$

## Technical information

Material	
Housing	Aluminum (anodized)
Flow control screw	Brass
Seals	Acrylonitrile butadiene rubber

## Dimensions

### Dimensions



## Dimensions

Part No.	Port 1	Port 2	C	D	ØE	F	ØH	I	J	K	SW1	SW2
0821200241	Ø 4	G 1/8	42.5	5.1	12	20.8	14	8	15	27.8	10	8
0821200243	Ø 6	G 1/8	42.5	5.1	13	23.3	14	8	15	30.3	10	8
0821200245	Ø 6	G 1/4	47.6	6.4	16	25.8	17	9.8	19	35.3	13	8

## Series QR2-S-RV1 standard

- 1x banjo union
- G 1/8 G 1/4 G 3/8
- push-in fitting
- Ø 4 Ø 5 Ø 6 Ø 8 Ø 10 Ø 12
- QR2-S-RV1



Working pressure min./max.	-0.95 ... 16 bar
Ambient temperature min./max.	-20 ... 80 °C
Weight per piece	See table below

### Technical data

Part No.	Port G	Port D	Delivery unit	Weight per piece
1823391585	G 1/8	Ø 4	10 piece	0.01 kg
1823391586	G 1/8	Ø 5	10 piece	0.012 kg
1823391587	G 1/8	Ø 6	10 piece	0.013 kg
1823391588	G 1/8	Ø 8	10 piece	0.018 kg
1823391589	G 1/4	Ø 6	10 piece	0.018 kg
1823391590	G 1/4	Ø 8	10 piece	0.021 kg
1823391591	G 1/4	Ø 10	5 piece	0.025 kg
1823391592	G 3/8	Ø 8	5 piece	0.027 kg
1823391593	G 3/8	Ø 10	5 piece	0.032 kg
1823391594	G 3/8	Ø 12	5 piece	0.043 kg

### Technical information

The series QR1 (plastic) and QR2 (metal) can not be combined

For further information about assembling and tolerances of adaptable tubing can be found in the "Technical information" document (available in the MediaCentre).

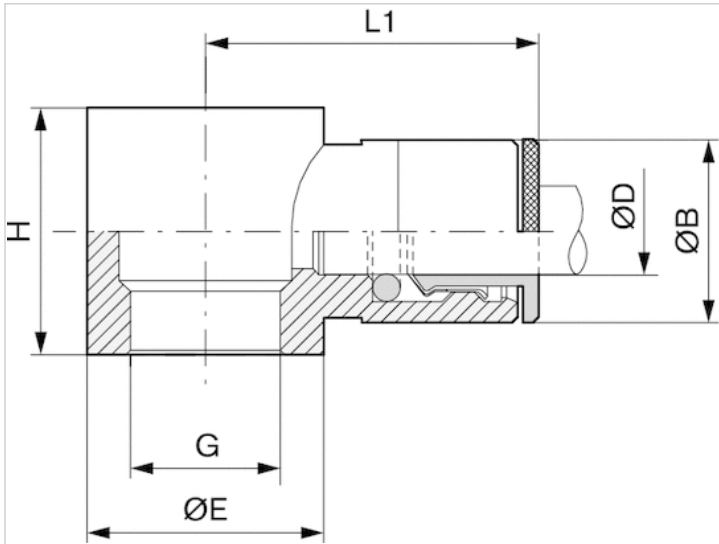
### Technical information

Material	
Housing	Brass, nickel-plated
Seal	Acrylonitrile butadiene rubber
Tooth lock washer	Stainless steel

Material	
Release ring	Brass, nickel-plated

## Dimensions

### Dimensions



### Dimensions

Part No.	Port D	Port G	Ø B	Ø E	H	L1
1823391585	Ø 4	G 1/8	9	14	15	21
1823391586	Ø 5	G 1/8	10	14	15	22.5
1823391587	Ø 6	G 1/8	11	14	15	23
1823391588	Ø 8	G 1/8	13	14	15	24.5
1823391589	Ø 6	G 1/4	11	18	17	24
1823391590	Ø 8	G 1/4	13	18	17	26
1823391591	Ø 10	G 1/4	15	18	17	27
1823391592	Ø 8	G 3/8	13	21	20	28
1823391593	Ø 10	G 3/8	15	21	20	29
1823391594	Ø 12	G 3/8	17	21	20	30

# Efficient pneumatic solutions, our program: cylinders and drives, valves and valve systems, air supply management



Visit us: [Emerson.com/Aventics](http://Emerson.com/Aventics)

Your local contact: [Emerson.com/contactus](http://Emerson.com/contactus)



Emerson.com



[Facebook.com/EmersonAutomationSolutions](https://www.facebook.com/EmersonAutomationSolutions)



[LinkedIn.com/company/Emerson-Automation-Solutions](https://www.linkedin.com/company/Emerson-Automation-Solutions)



[Twitter.com/EMR\\_Automation](https://twitter.com/EMR_Automation)

An example configuration is depicted on the title page. The delivered product may thus vary from that in the illustration. Subject to change. This Document, as well as the data, specifications and other information set forth in it, are the exclusive property of AVENTICS GmbH. It may not be reproduced or given to third parties without its consent. Only use the AVENTICS products shown in industrial applications. Read the product documentation completely and carefully before using the product. Observe the applicable regulations and laws of the respective country. When integrating the product into applications, note the system manufacturer's specifications for safe use of the product. The data specified only serve to describe the product. No statements concerning a certain condition or suitability for a certain application can be derived from our information. The information given does not release the user from the obligation of own judgment and verification. It must be remembered that the products are subject to a natural process of wear and aging.

The Emerson logo is a trademark and service mark of Emerson Electric Co. Brand logotype are registered trademarks of one of the Emerson family of companies. All other marks are the property of their respective owners. © 2017 Emerson Electric Co. All rights reserved.  
2019-03



## CONSIDER IT SOLVED™