

Series AR1



AVENTICS™ Series AR1



Series AR1

- G 1/2 G 1 G 2

- 1 3.2 5 10 20 40 90 L



Working pressure min./max.

See table below

Ambient temperature min./max.

-40 ... 100 °C

Medium temperature min./max.

-40 ... 100 °C

Medium

Compressed air

Air reservoir volume

See table below

Technical data

Part No.	Port 1	Port 2	Working pressure min./max.	Air reservoir volume	Reservoir Ø	Fig.
3513000000	G 1/2	-	0 ... 11 bar	1 L	105 mm	Fig. 1
3513000010	G 1	G 1/2	0 ... 11 bar	3.2 L	101.6 mm	Fig. 2
3513000020	G 1	G 1/2	0 ... 10 bar	5 L	154 mm	Fig. 3
3513000030	G 1	G 1/2	0 ... 11 bar	10 L	206 mm	Fig. 4
3513000040	G 1	G 1/2	0 ... 10 bar	20 L	246 mm	Fig. 5
3513000050	G 1	G 1/2	0 ... 11 bar	40 L	276 mm	Fig. 6
3513000060	G 2	G 1/2	0 ... 11 bar	90 L	350 mm	Fig. 7

Reservoirs with a diameter up to 206 mm are fixed with tensioning straps., You can find mounting kits for larger diameters without feet in the accessories.

Technical information

The pressure dew point must be at least 15 °C under ambient and medium temperature and may not exceed 3 °C .

The oil content of compressed air must remain constant during the life cycle.

Use only the approved oils from AVENTICS. Further information can be found in the "Technical information" document (available in the MediaCentre).

Technical information

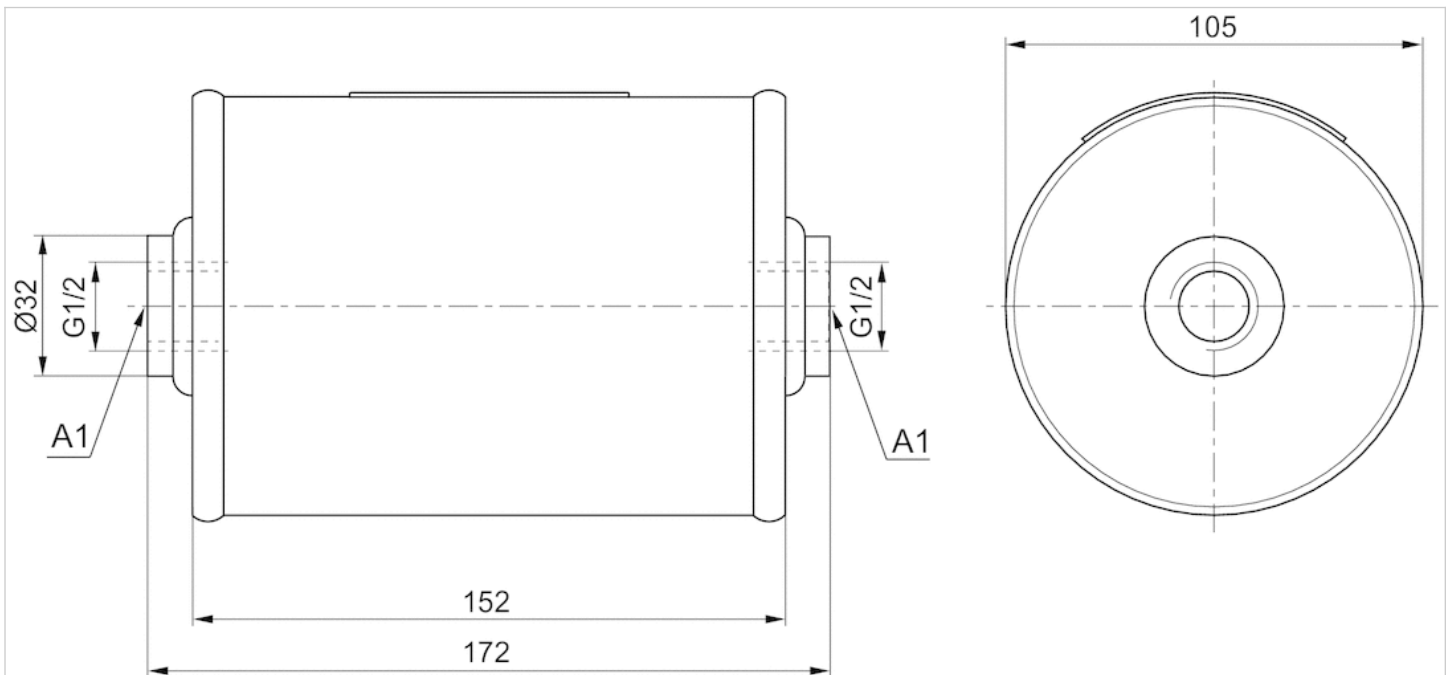
Material

Housing

Steel, black painted

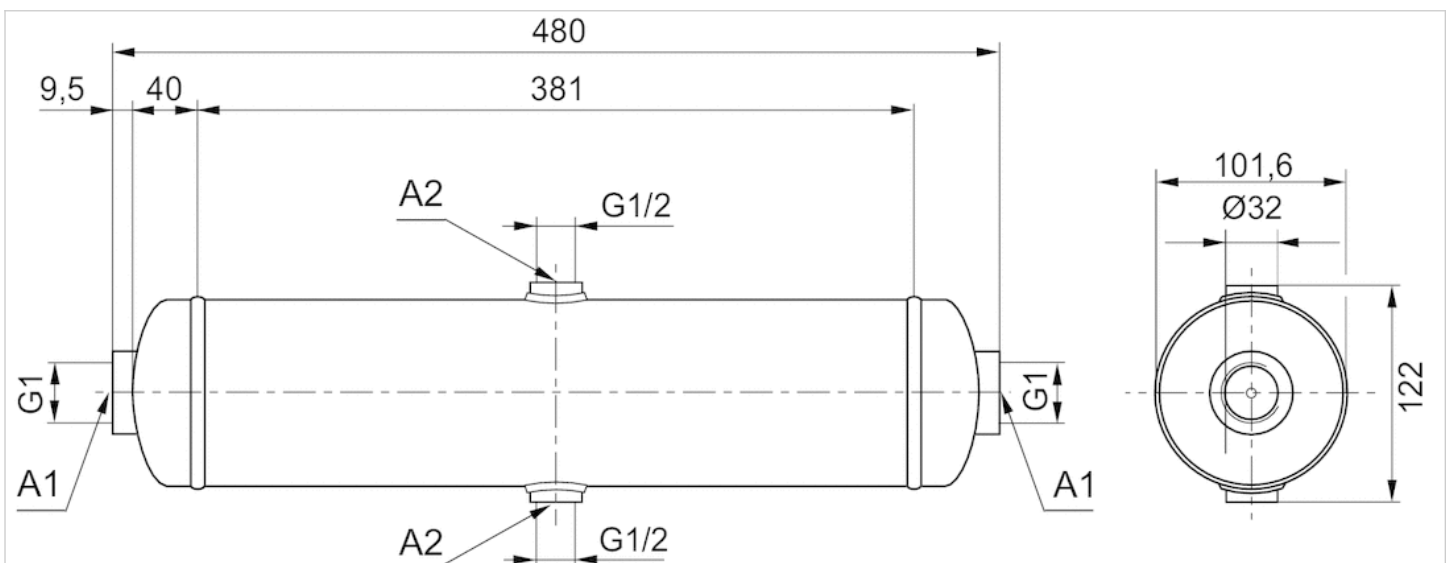
Dimensions

Dimensions, Fig. 1



A1 = horizontal connection

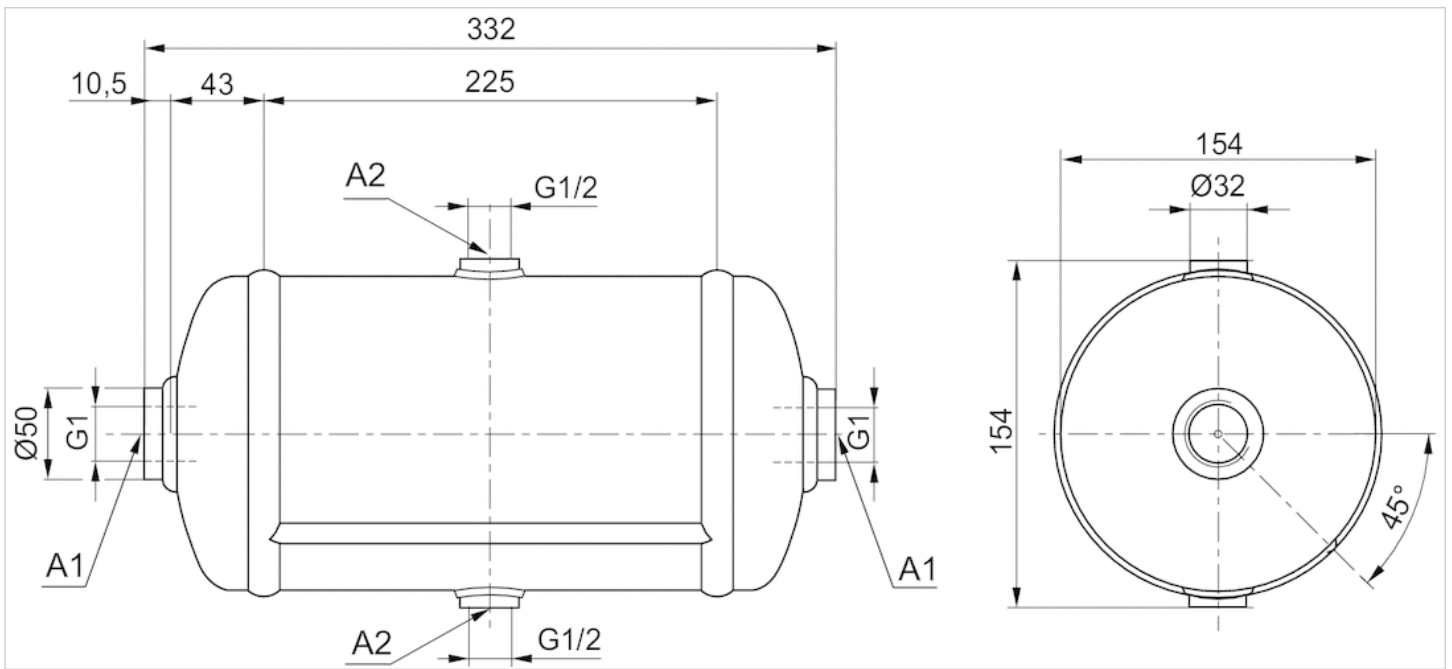
Dimensions, Fig. 2



A1 = horizontal connection

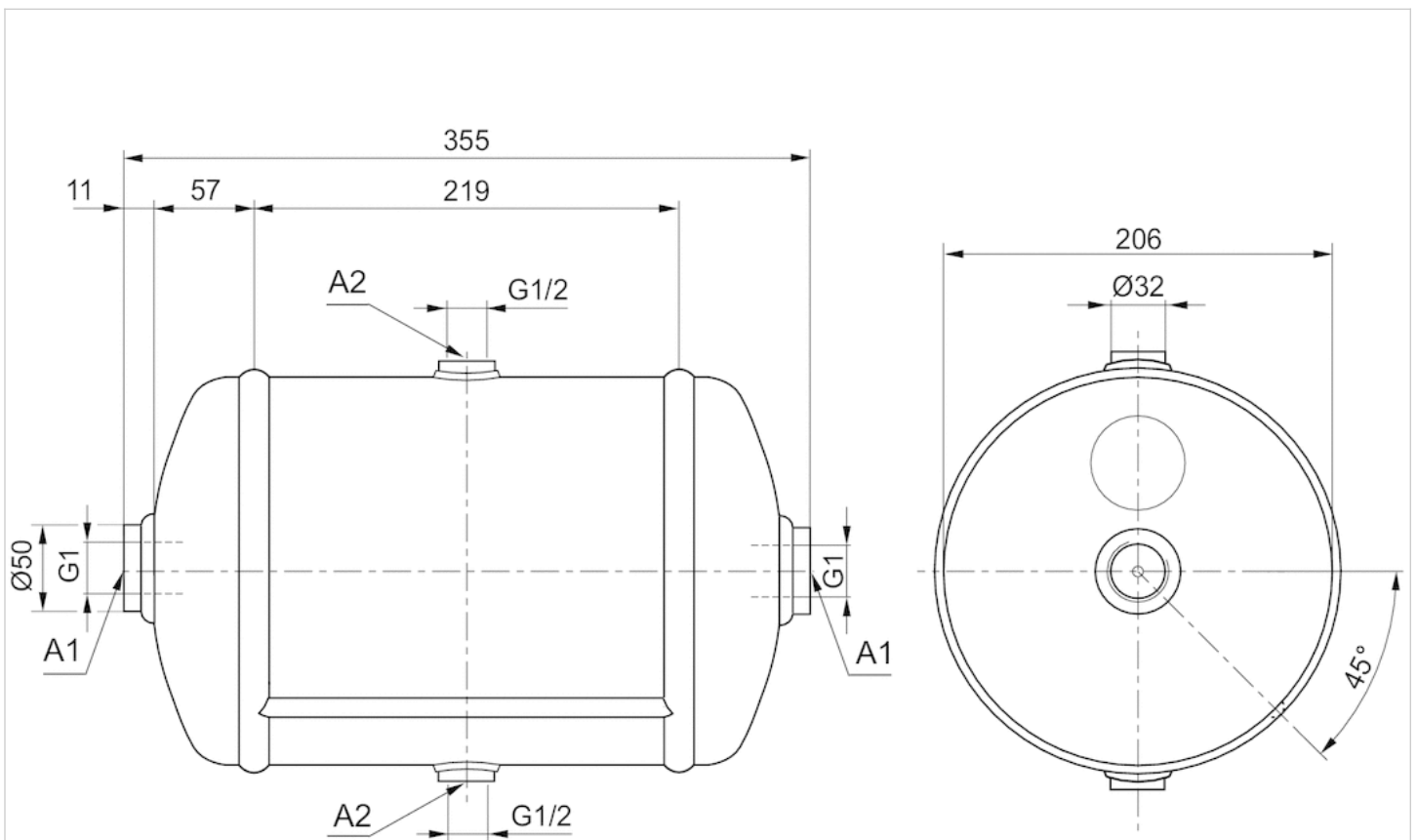
A2 = radial connection

Dimensions, Fig. 3



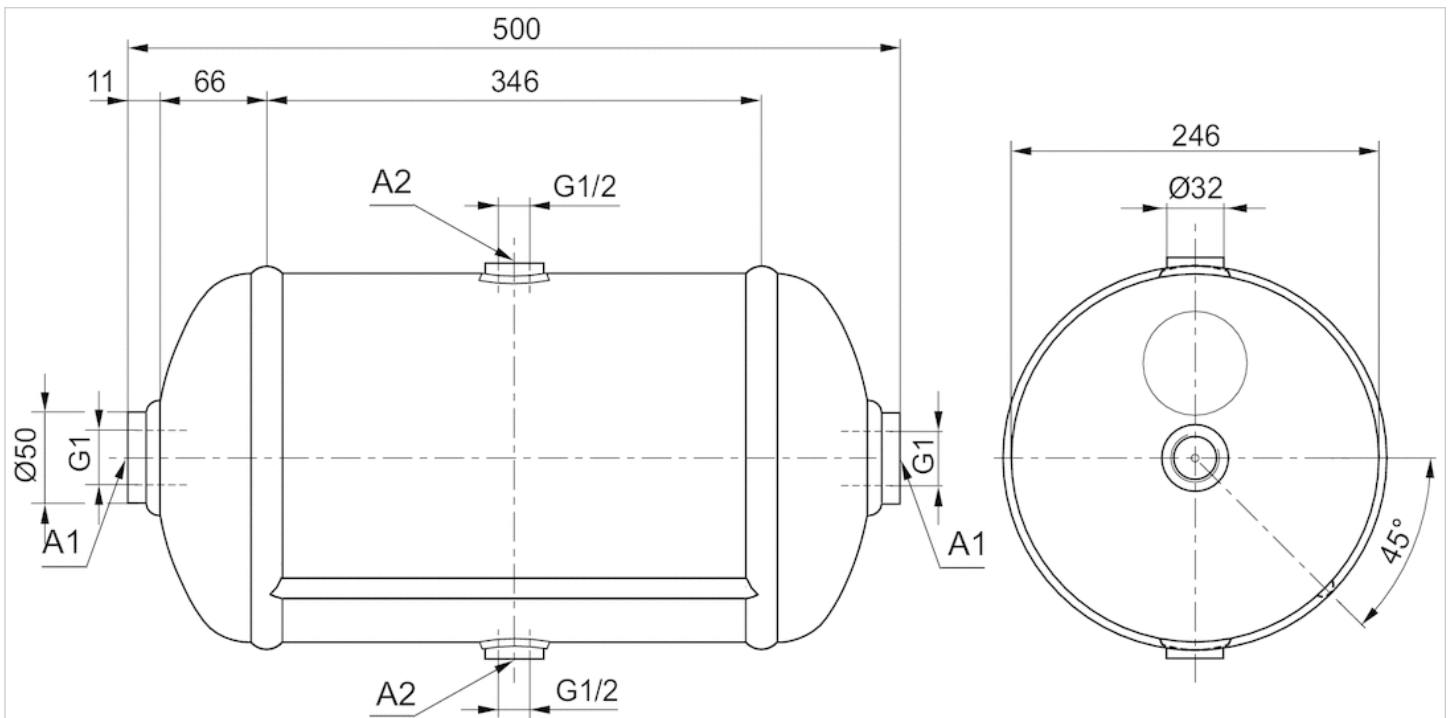
A1 = horizontal connection
 A2 = radial connection

Dimensions, Fig. 4



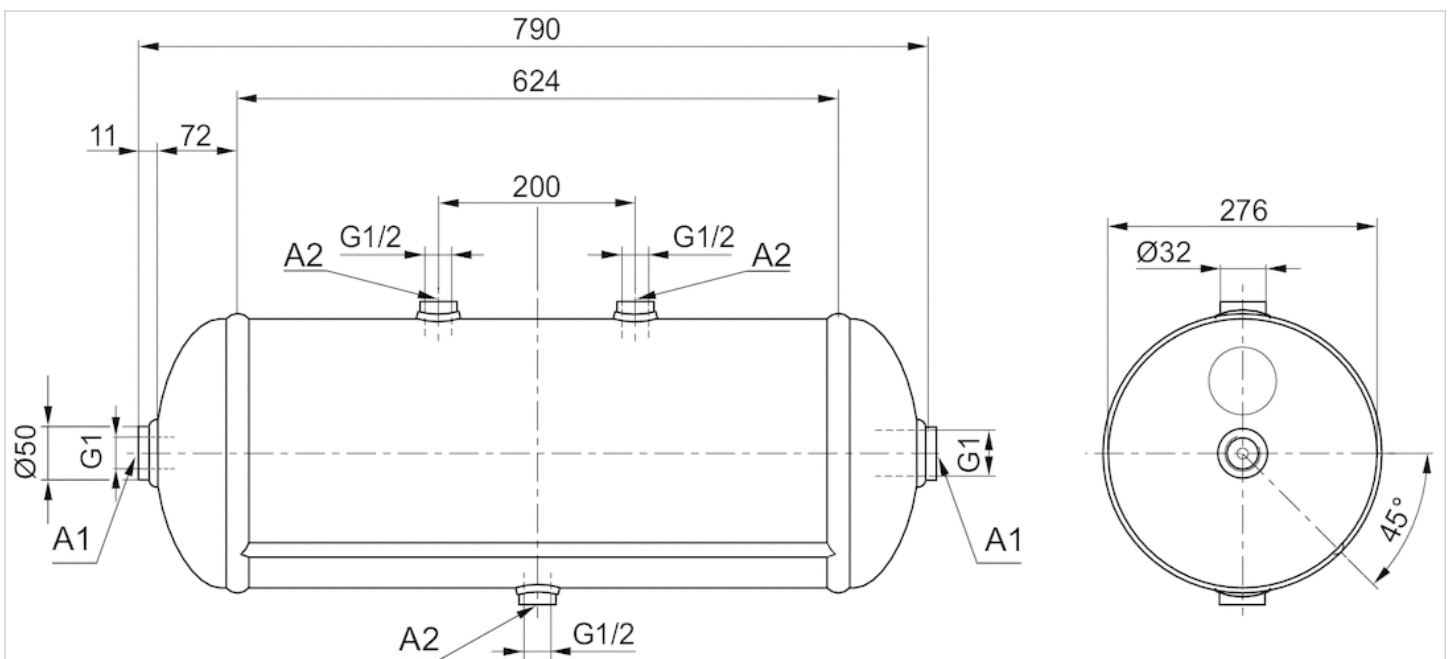
A1 = horizontal connection
 A2 = radial connection

Dimensions, Fig. 5



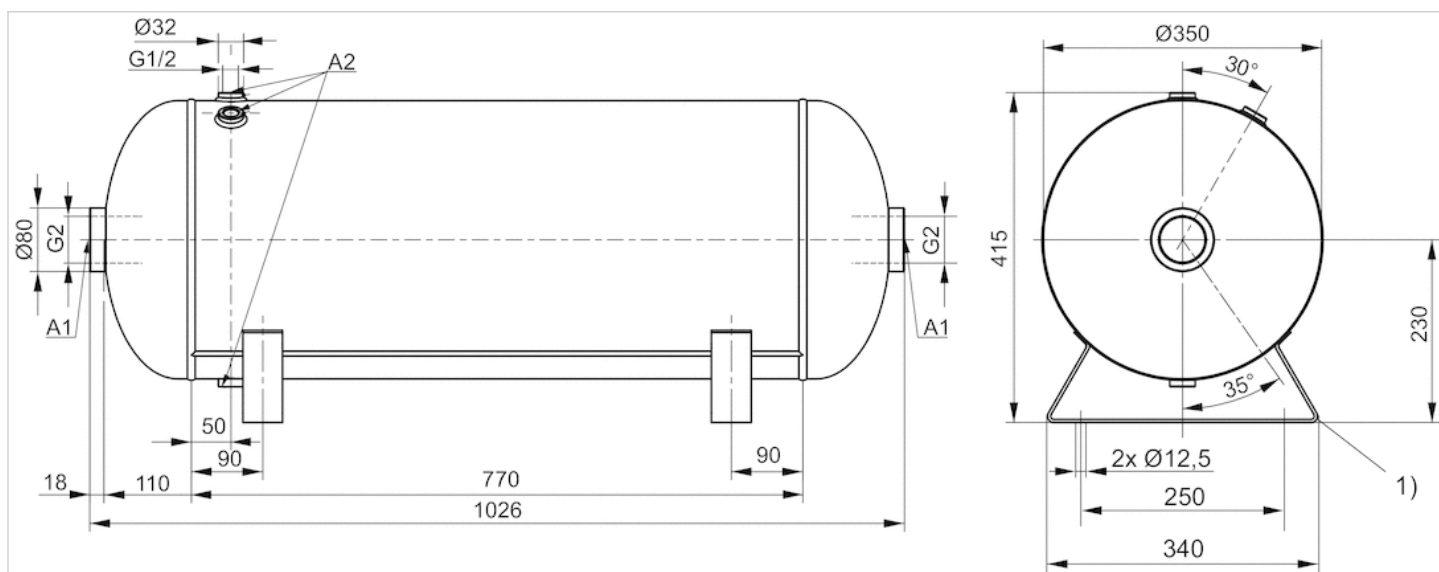
A1 = horizontal connection
 A2 = radial connection

Dimensions, Fig. 6



A1 = horizontal connection
 A2 = radial connection

Dimensions, Fig. 7



A1 = horizontal connection

A2 = radial connection

1) Foot

Assembly kit

- AR1



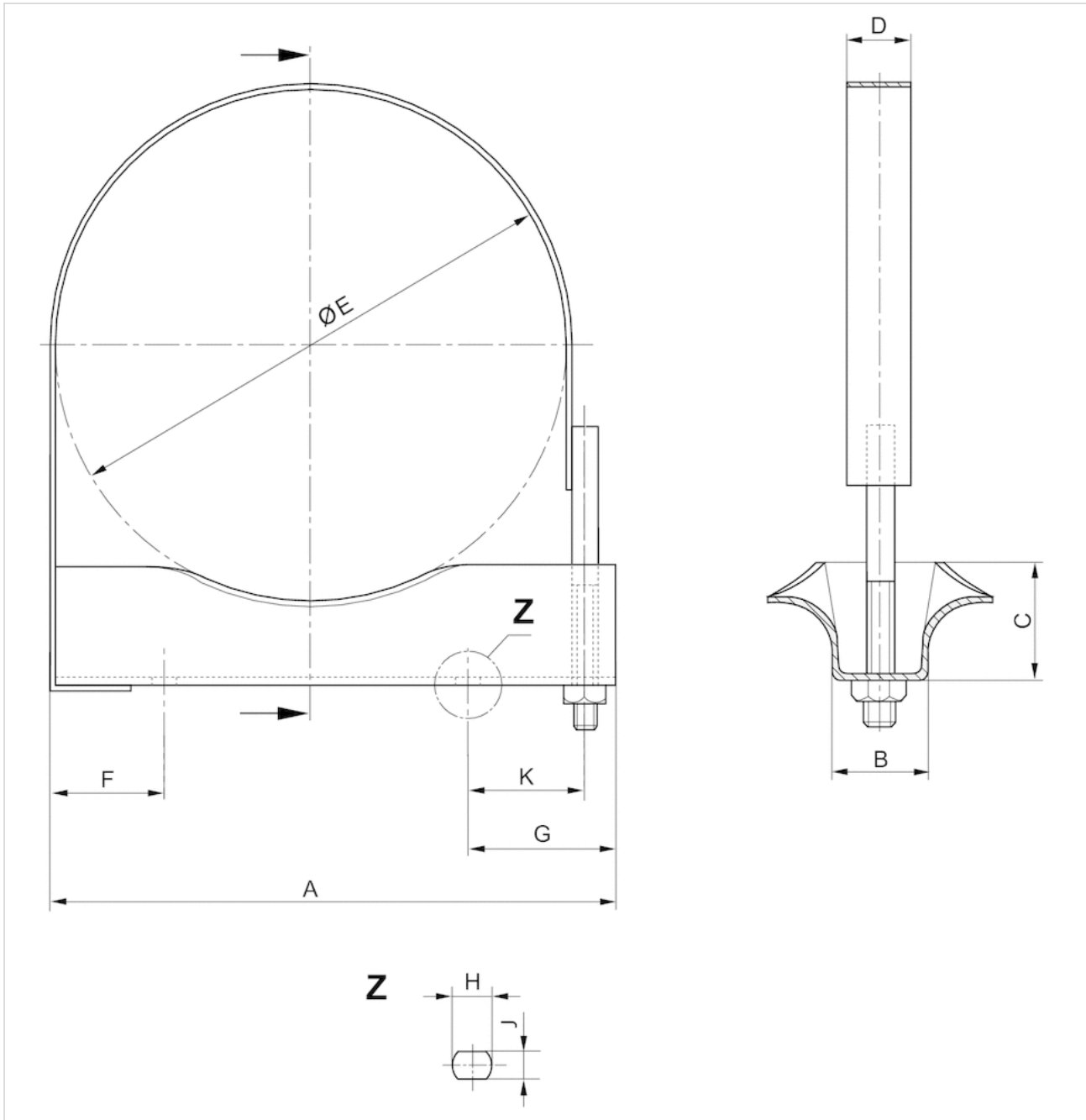
Weight

See table below

Technical data

Part No.	Reservoir Ø	Delivery unit	Weight
4519011002	206 mm	1 piece	0.763 kg
4519011012	246 mm	1 piece	0.886 kg
4519011022	276 mm	1 piece	1.13 kg

Dimensions



Dimensions in mm

Part No.	A	B	C	D	ØE	F	G	H	J	K
4519011002	225	36	45	30	206	45	56	16	11	41
4519011012	265	36	45	30	246	45	56	16	11	41
4519011022	295	36	45	30	276	45	56	16	11	41

Efficient pneumatic solutions, our program: cylinders and drives, valves and valve systems, air supply management



Visit us: [Emerson.com/Aventics](https://www.emerson.com/Aventics)

Your local contact: [Emerson.com/contactus](https://www.emerson.com/contactus)



Emerson.com



[Facebook.com/EmersonAutomationSolutions](https://www.facebook.com/EmersonAutomationSolutions)



[LinkedIn.com/company/Emerson-Automation-Solutions](https://www.linkedin.com/company/Emerson-Automation-Solutions)



[Twitter.com/EMR_Automation](https://twitter.com/EMR_Automation)

An example configuration is depicted on the title page. The delivered product may thus vary from that in the illustration. Subject to change. This Document, as well as the data, specifications and other information set forth in it, are the exclusive property of AVENTICS GmbH. It may not be reproduced or given to third parties without its consent. Only use the AVENTICS products shown in industrial applications. Read the product documentation completely and carefully before using the product. Observe the applicable regulations and laws of the respective country. When integrating the product into applications, note the system manufacturer's specifications for safe use of the product. The data specified only serve to describe the product. No statements concerning a certain condition or suitability for a certain application can be derived from our information. The information given does not release the user from the obligation of own judgment and verification. It must be remembered that the products are subject to a natural process of wear and aging.

The Emerson logo is a trademark and service mark of Emerson Electric Co. Brand logotype are registered trademarks of one of the Emerson family of companies. All other marks are the property of their respective owners. © 2017 Emerson Electric Co. All rights reserved.
2019-03



CONSIDER IT SOLVED™