

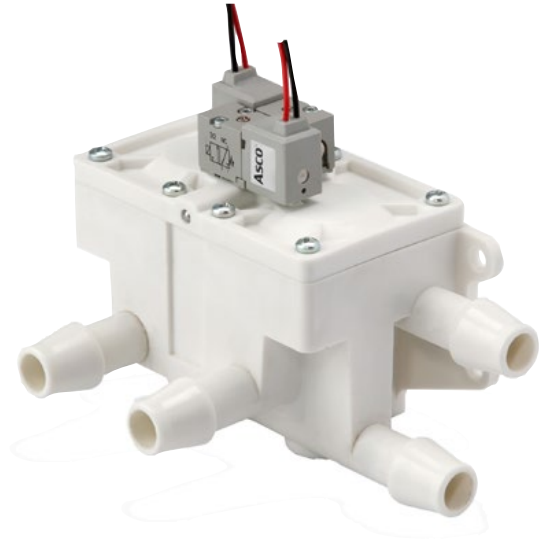
ASCO™ MINIATURE SOLENOID VALVES

STATIONARY OXYGEN CONCENTRATOR MANIFOLD

**SERIES
588**

Features and Benefits

- The Series 588 is a turnkey manifold solution designed to control the flow in Stationary Oxygen Concentrators
- Low power demand
- High reliability
- Small, light weight architecture



Fluids*	Temperature Range	Seal Materials
Air or Inert Gases ¹	10°C to 70°C (50°F to 158°F)	EPDM and FKM ²

¹ 40 micron filtered air

² Manifold seals EPDM; Pilot valve seals FKM

General Valve Information	
Manifold Body	PBT
Response Time	~30ms Energize, ~60ms De-energize

Electrical Characteristics	
Duty Cycle	Continuous
Connection	Lead wires
Standard Voltages*	12 VDC (+/- 10%)
Power Rating	1.0 W

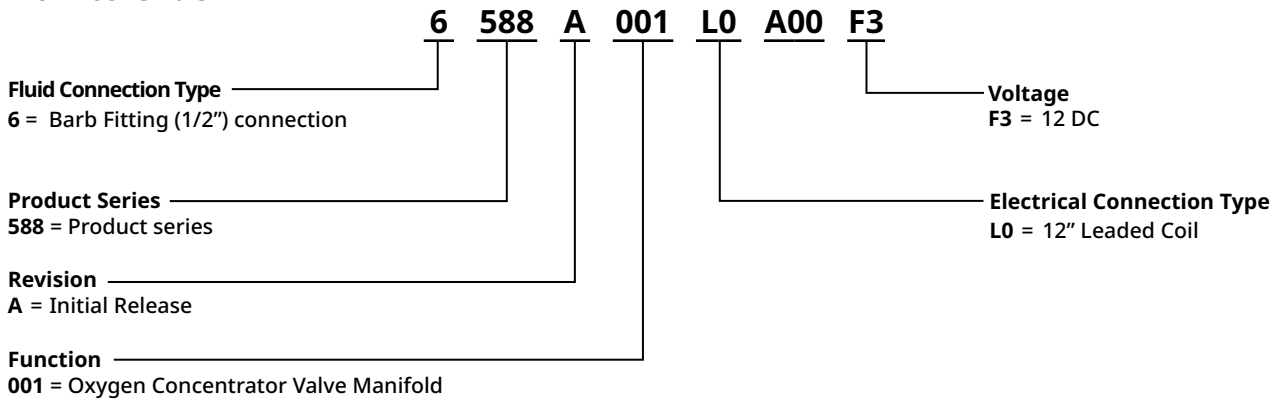
Insulation Class	Coil Insulation °C (°F)	Ambient Temperature Range °C (°F)
F	155 (311)	10 to 70 (50 to 158)

01101GB-2023-R01

Specifications

Connection	Flow Coefficient		System Pressure range bar (psi)		Typical Operating Pressure Range bar (psi)		Power Rating (W)	Catalog Number
	Kv (m ³ /h)	Cv	min.	max. Air, Inert gas	min.	max. Air, Inert gas		
3/2 NO - Normally Open								
Barb Fitting (1/2" connection)	0.65	0.75	0.48 (7)	3.45 (50)	0.69 (10)	2.07 (30)	1 W	6588A001L0A00F3

How to Order

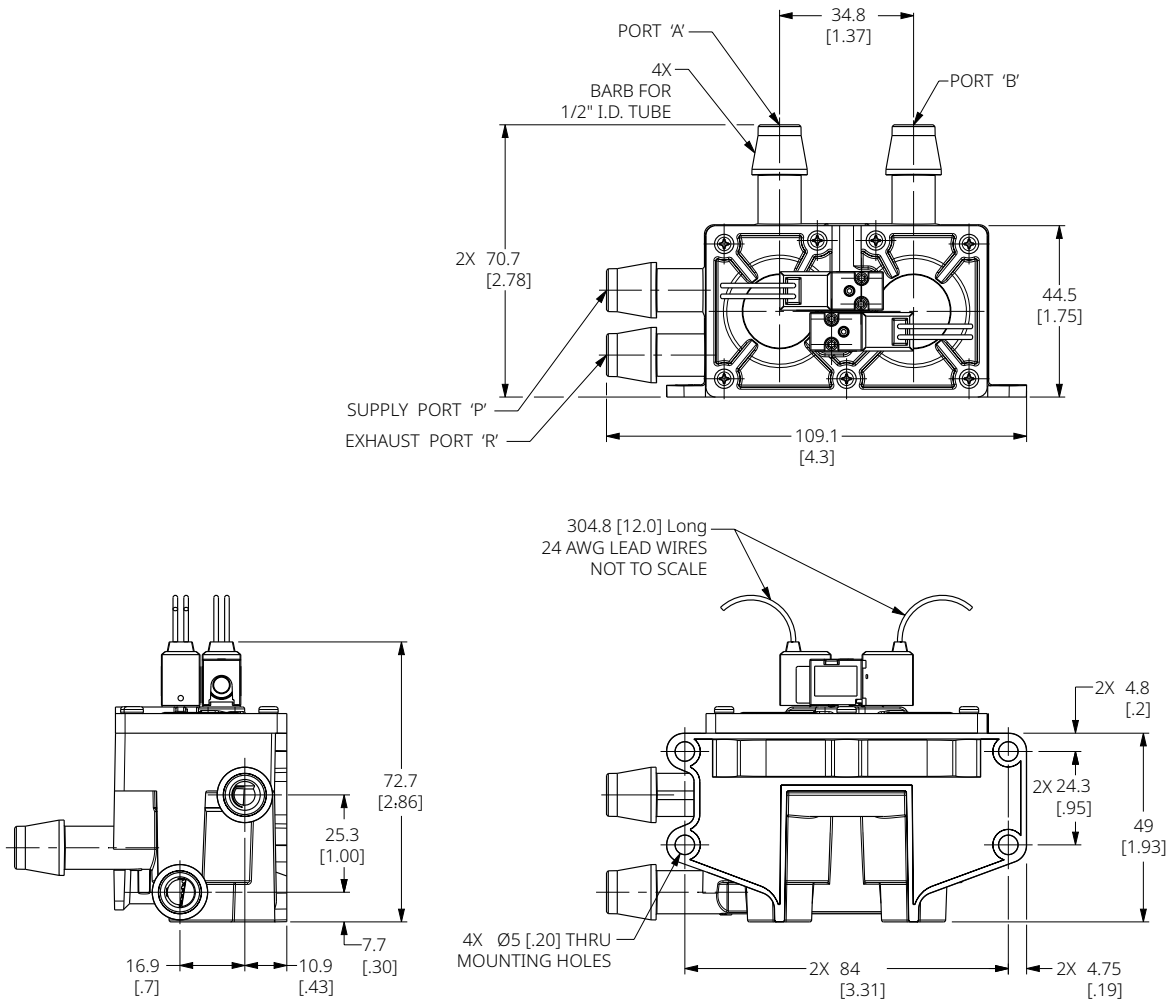


ASCO™ MINIATURE SOLENOID VALVES

STATIONARY OXYGEN CONCENTRATOR MANIFOLD

SERIES
588

Dimensions: mm (inches)



01101GB-2023-R01