

**Specifications**

*For other materials or modifications, please consult TESCOM.*

**OPERATING PARAMETERS**

*Pressure rating per criteria of ANSI/ASME B31.3*

<b>Maximum Inlet Pressure</b> 800 psig / 55.2 bar
<b>Controlled Pressure Ranges</b> 40-150, 40-300, 100-700, 100-800 psig 2.8-10.3, 2.8-20.7, 6.9-48.3, 6.9-55.2 bar
<b>Design Proof Pressure</b> 150% maximum rated
<b>Leakage</b> Bubble-tight
<b>Operating Temperature</b> -15°F to 140°F / -26°C to 60°C
<b>Flow Capacity</b> C <sub>v</sub> = 0.10

**MEDIA CONTACT MATERIALS**

<b>Body</b> 316 Stainless Steel or Brass
<b>Seat</b> PCTFE
<b>O-Ring</b> FKM (Viton®-A)
<b>Back-up Ring</b> PTFE
<b>Remaining Parts</b> <b>Stainless Model:</b> 316 Stainless Steel <b>Brass Model:</b> Brass and 300 Series Stainless Steel

**OTHER**

<b>Cleaning</b> CGA 4.1 and ASTM G93
<b>Weight</b> 2 lbs / 0.9 kg

*Teflon® and Viton® are registered trademarks of E.I. du Pont de Nemours and Company.*



TESCOM 44-1700 Series is a general purpose, compact backpressure regulator for control pressures up to 800 psig / 55.2 bar.

**Application**

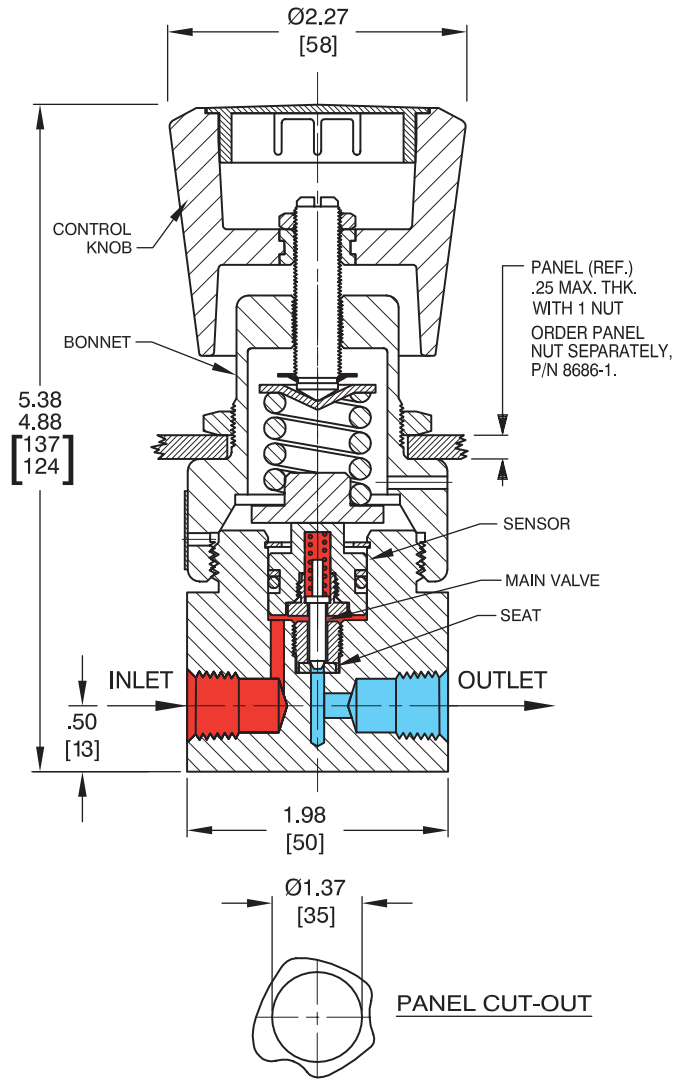
- Industrial equipment for hydraulic or pneumatic service

**Features and Benefits**

- Economical, compact design
- Piston sensed design is safe and reliable
- Available in a Stainless Steel or Brass design
- Optional gauge ports and panel mounting
- Flow capacity C<sub>v</sub> = 0.10
- Low handknob torque for easy operation
- Bubble-tight shutoff at all reseating pressures

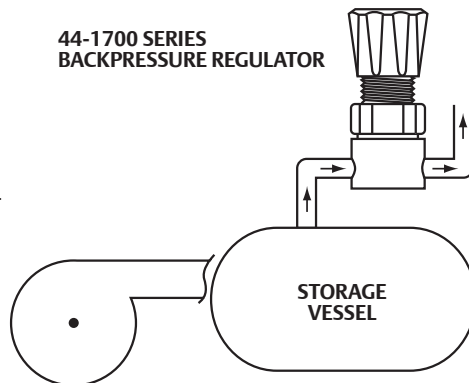
# 44-1700 SERIES

## 44-1700 Series Regulator Drawing



**44-1700 SERIES  
BACKPRESSURE REGULATOR**

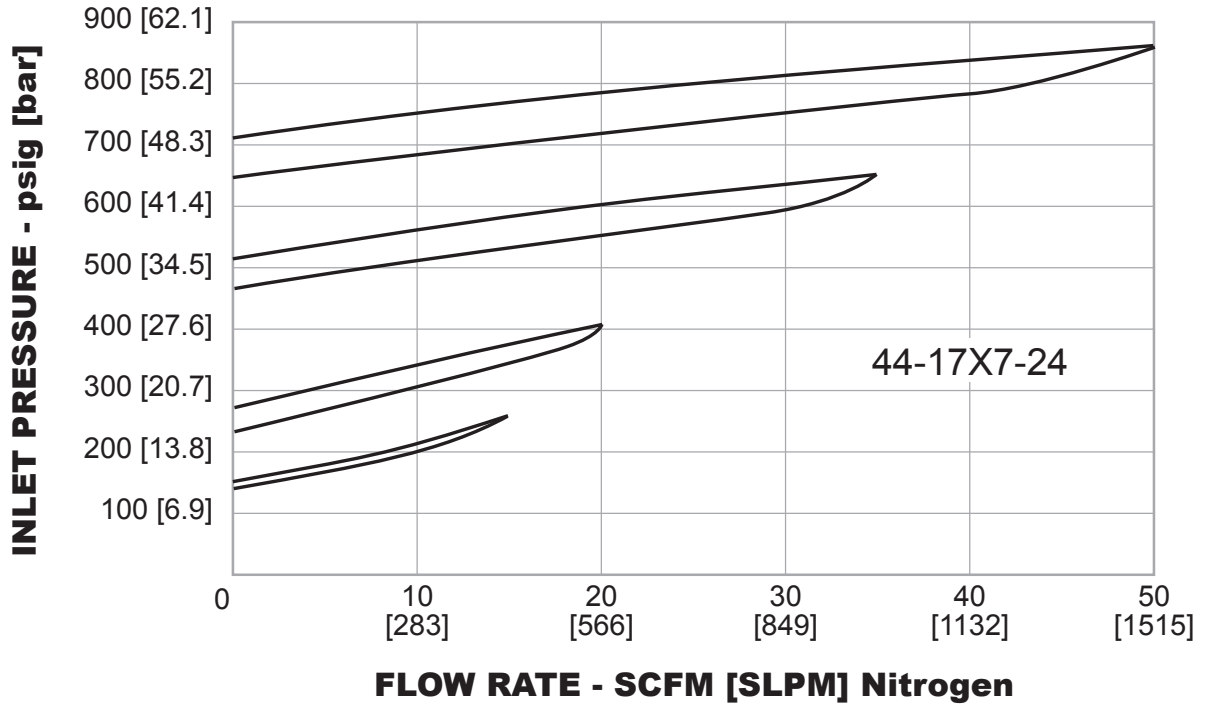
**BACKPRESSURE  
CONTROL OF  
STORAGE VESSEL**



*All dimensions are reference & nominal  
Metric [millimeter] equivalents are in brackets*

44-1700 Series Regulator Flow Chart

For more information on how to read flow curves, please refer to the Flow Curves and Calculations document (debul2007x012) in the TESCO catalog or on [www.tescom.com](http://www.tescom.com).



# 44-1700 SERIES

## 44-1700 Series Regulator Part Number Selector



### Learn more about common options.

For modifications, repair kits and accessories, contact factory.

Example for selecting a part number:

**44-17                      6                      7                      -                      2                      4**

BASIC SERIES	BODY MATERIAL	INLET PRESSURE	INLET AND OUTLET PORT TYPE	INLET AND OUTLET PORT SIZE
44-17	1 – Brass 6 – 316 Stainless Steel	2 – 40-150 psig 2.8-10.3 bar  3 – 40-300 psig 2.8-20.7 bar  7 – 100-700 psig 6.9-48.3 bar  8 – 100-800 psig 6.9-55.2 bar	2 – NPTF	4 – 1/4"