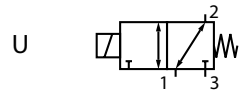


# ASCO™ High-Flow Direct Acting Valves

Balanced Poppet Type | 316 Stainless Steel Bodies | ¼" Porting



**3/2  
Series  
327**

## Features

- High Flow Piloting with no minimum operating pressure required
- Balanced Poppet construction for high flow at minimum power levels
- PTFE rider rings and graphite-filled seals reduce friction and eliminate sticking to provide exceptional service life
- 316L Stainless Steel construction for highly corrosive atmospheres
- NAMUR mount option available
- Product is SIL (Safety Integrity Level) 3 Capable to IEC 61508-1 Exida certified<sup>①</sup>
- Ex d Flameproof enclosure
- Optional CRN (Canadian Registration Number) and other regional certification available on request



Performance Data	
Construction	Standard Construction
Enclosures	Epoxy powder coated Aluminum or 316L Stainless Steel
Flow, Kv (Cv)	Standard: 0.7 (0.8) NVR, TP-NVR: 0.95 (1.1)
Maximum Operating Pressure Differential, bar (psi)	12 (174)
Fluid Media	Air, Inert Gas, Water, Light Oil
Maximum Viscosity mm <sup>2</sup> /s cSt	65
Ambient and Fluid Temperature, Standard FKM Seals, °C (°F) <sup>④</sup>	UL, C/US: -20 to 84 (-4 to 183) for ≤24VDC, up to 80 (176) for all other voltages ATEX: -20 to 90 (-4 to 194)
Ambient and Fluid Temperature, Low-Temperature FVMQ Seals, °C (°F)	-60 to 60 (-76 to 140)
Construction	
Body	316L Stainless Steel
Core Tube	316L Stainless Steel
Stem & Insert	316L Stainless Steel
Core & Plugnut	430F Stainless Steel
O-ring Holder	316L Stainless Steel
Springs	17-7 Stainless Steel
Discs	FKM
Rider Ring	PTFE Graphite filled
Temporary Connector <sup>②</sup>	Polypropylene
Electrical	
Voltage	DC: 6, 12, 24, 48, 120, 240 Class H 125, 250 DC Battery Charging AC: 24/50-60, 48/50-60 Class H 120/60, 110/50 Class H 208/50-60 Class H 240/60, 230/50 Class H
Power, Watts <sup>④</sup>	AC : 2.7W DC : 1.9W ≤ 24V, >24V 2.6W to 3.6W
Enclosure Certifications	
Ingress Protection	IP 66 & 68 Type 4X & 6P
Hazardous Location	UL, ULc CL I, Div 1, Gp B, C, D and CL II, Div 1 Gp E, F, G UL, ULc CL I, ZONE 1, GR. IIB+H2 / CL II, ZONE 21, GR IIIC ATEX/IECEx: II2G Ex db IIC T6...T4 GB, II2D Ex tb IIIC T85°C...T135°C Db

① SIL not applicable for MS Variants. Exhaust protection is advised (Bug Screen).

② Temporary connector is for test purposes only and must be removed for final installation of product.

③ Tamper Proof NVR is rated to -10°C

④ NVR and Tamper Proof NVR are 1.9W at 48VDC and 120VDC. Ambient temperature for standard FKM seals is rated UL, C/US: up to 84C for these voltages.

2024-R01-ECN 414753

# ASCO™ High Flow Direct Acting Valves


Balanced Poppet Type | 316 Stainless Steel Bodies | 1/4" Porting

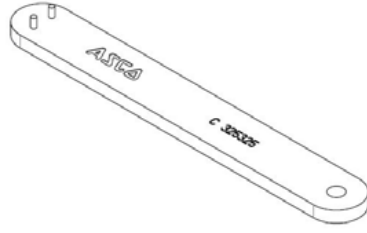
**3/2  
Series  
327**

## Recommended Codes

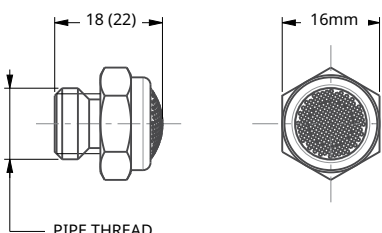
Suggested Codes *	Construction	Body (SS)	Electrical Connection (*Equivalent Temporary Connector Code)	Options	Voltage   Power	Dimensions
8327C102F392LH9	Standard	Pipe Threaded	1/2" NPT, SS, Surge Suppression   *TK	MO/MS	48/DC   2.6W	A
8327C102F39YTHN				None	125 DC Battery charging   3.6W	
8327C102FN9YTH0					120/60, 110/50   2.7W	
8327C112F59YTH0	Low Temp		1/2" NPT, SS   *TB	None	120/60, 110/50   2.7W	
8327C302F392JH1	Standard				1/2" NPT, SS, Surge Suppression   *TK	
8327C302F392KH1			MS			
8327C302F39YTH1			None	20mm, SS, Surge Suppression   *TM		
8327C302F49YTH1				1/2" NPT, Al, Surge Suppression   *TJ		
8327C302F89YTH1				20mm, Al, Surge Suppression   *TL		
8327C302F29YTH1				1/2" NPT, Al, Surge Suppression   *TJ		
8327C312F89YTH1				20mm, Al, Surge Suppression   *TL		
8327C312F29YTH1				1/2" NPT, Al, surge suppression   *TJ		
8327C302F892MH1		Low Temp	1/2" NPT, SS, surge suppression   *TK	NVR	C	
8327C302F392NH1	TP-NVR			D		
8327C305F292JH1	Standard			NAMUR	MO	B
8327C305F39YTH1		None				
8327C305F892JH1		MO				

\* For alternative threads replace prefix 8 with G or J

Spare Part Code	Electrical Connection Temporary Connector Cable
M200983	

Removable MO/MS tool

Tool to remove plug. Kit no.: C325325

For critical applications where SIL IEC 61058 valves are required it is recommended to use an exhaust protector (as shown below) or equal. MS variant is not SIL compliant

Exhaust Protector						
Pipe size	Thread	Part Number		Mesh/filtering	Wrench size (REF A.)	
		Brass nickel plated	316 Stainless Steel			
1/4	ISO 228/1	131875-001	131875-014	100-200 µm	16mm	
	NPT	131875-002	131875-015			

# ASCO™ High Flow Direct Acting Valves

Balanced Poppet Type | 316 Stainless Steel Bodies | 1/4" Porting

**3/2  
Series  
327**

## How to order

**PRODUCT CODE**

**8 327 C 1 0 1 FN 9YT H1**

### Port Type

- G** = ISO G/Rp Body Connection
- 8** = NPT Body Connection
- J** = ISO Rc Body Connection

### Product Series

- 327** = 3 Way - Direct Acting

### Revision

- C** = 3rd Generation

### Power

- 1** = 2 to 4 Watts
- 3** = < 2 Watts

### Construction

- 0** = Standard Construction Standard  
Temperature 12 Bar Pressure Max
- 1** = Standard Construction Low Temperature  
12 Bar Pressure Max

### Body Material

- 2** = Stainless Steel
- 5** = NAMUR Direct Mount Stainless Steel<sup>③</sup>

### Voltage

- J7** = 6/DC Class H
- H3** = 12/DC Class H
- H1** = 24/DC Class H
- H9** = 48/DC Class H
- HD** = 120/DC Class H
- J2** = 240/DC Class H<sup>②</sup>
- HN** = 125 DC Battery charging<sup>②</sup>
- HM** = 250/DC Battery Charging<sup>②</sup>
- HQ** = 24/50-60 Class H
- HS** = 48/50-60 Class H
- H0** = 120/60, 110/50 Class H
- NL** = 208/50-60 Class H
- LU** = 240/60, 230/50 Class H

### Options<sup>①</sup>

- 9YT** = No Options
- 92J** = Manual operation Push (MO)
- 92K** = Manual operation Screwed (MS)
- 92L** = Removable Pressurized MO/MS
- 92M** = No Voltage Release (NVR)
- 92N** = Tamper proof NVR

### Electrical Connection Type

- FN** = Aluminum Flameproof Direct Cable Entry  
1/2" NPT enclosure
- FS** = 316 Stainless Steel Flameproof Direct Cable Entry  
1/2" NPT enclosure
- FT** = Aluminum Flameproof Direct Cable Entry 20mm  
enclosure
- FU** = 316 Stainless Steel Flameproof Direct Cable Entry  
20mm enclosure
- F8** = Aluminum Flameproof Direct Cable Entry 1/2" NPT +  
Surge Suppression enclosure
- F3** = 316 Stainless Steel Flameproof Direct Cable Entry  
1/2" NPT + Surge Suppression enclosure
- F2** = Aluminum Flameproof Direct Cable Entry 20mm +  
Surge Suppression enclosure
- F4** = 316 Stainless Steel Flameproof Direct Cable Entry  
20mm + Surge Suppression enclosure
- TA** = Aluminum Flameproof Direct Cable Entry 1/2 NPT +  
Temporary Connector enclosure
- TB** = 316 Stainless Steel Flameproof Direct Cable Entry  
1/2 NPT + Temporary Connector enclosure
- TC** = Aluminum Flameproof Direct Cable Entry 20mm +  
Temporary Connector enclosure
- TD** = 316 Stainless Steel Flameproof Direct Cable Entry  
20mm + Temporary Connector enclosure
- TJ** = Aluminum Flameproof Direct Cable Entry 1/2 NPT /  
Surge Suppression + Temporary Connector enclosure
- TK** = 316 Stainless Steel Flameproof Direct Cable Entry  
1/2 NPT/Surge Suppression + Temporary Connector  
enclosure
- TL** = Aluminum Flameproof Direct Cable Entry 20mm /  
Surge Suppression + Temporary Connector enclosure
- TM** = 316 Stainless Steel Flameproof Direct Cable Entry  
20mm/Surge Suppression + Temporary Connector  
enclosure

### Notes:

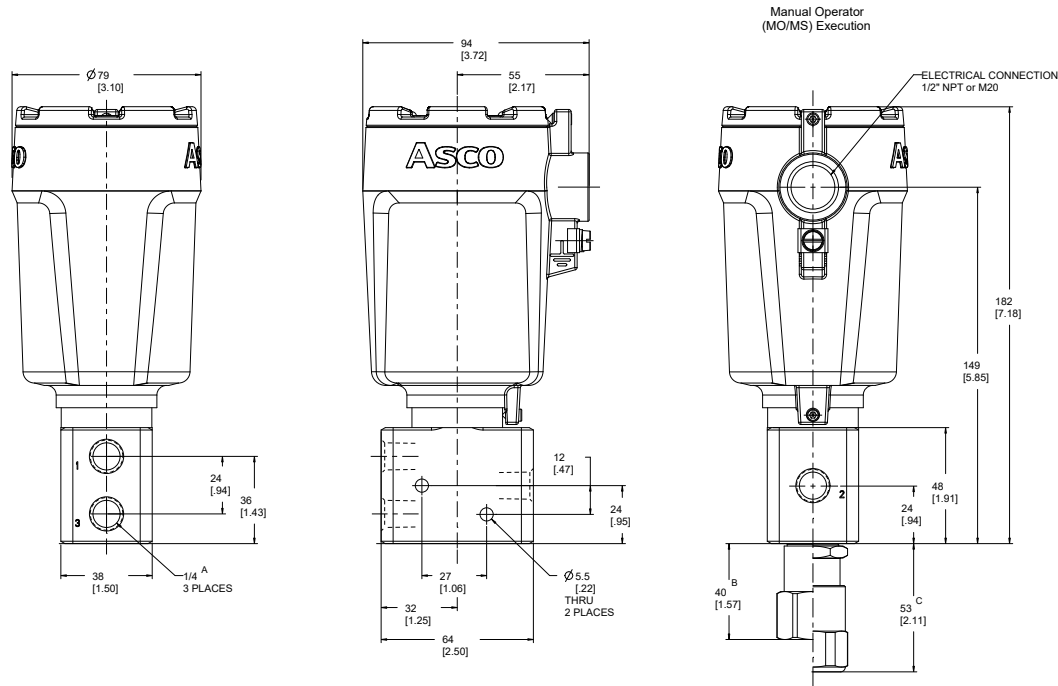
- ① If multiple options are required, please use the online configurator on the website to generate the part number ([www.Emerson.com/ASCO](http://www.Emerson.com/ASCO)), or consult factory
- ② Voltages not available for NVR/TP NVR Options
- ③ NAMUR Direct Mount not available for TP NVR option

# ASCO™ High Flow Direct Acting Valves

Balanced Poppet Type | 316 Stainless Steel Bodies | 1/4" Porting

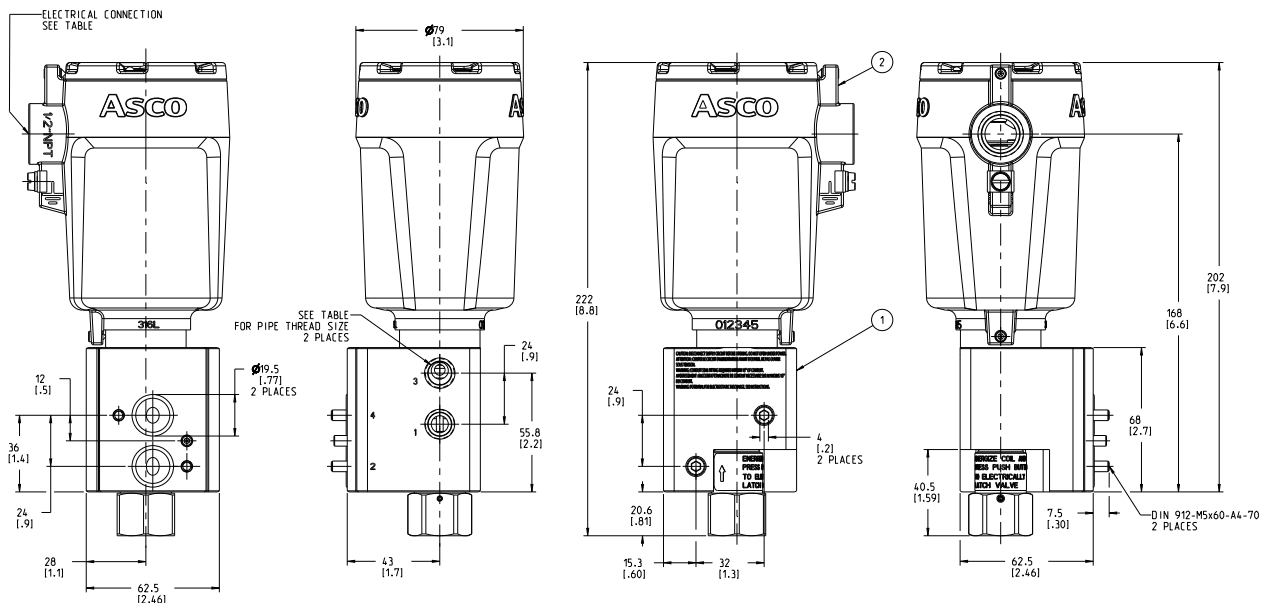
3/2  
Series  
327

## Dimensions A: mm (inches) Threaded



A Port Types: ANPT, ISO 1179-1, RC  
B For Manual Operator Push type  
C For Manual Operator Screw Type

## Dimensions B: mm (inches) NAMUR Direct Mount

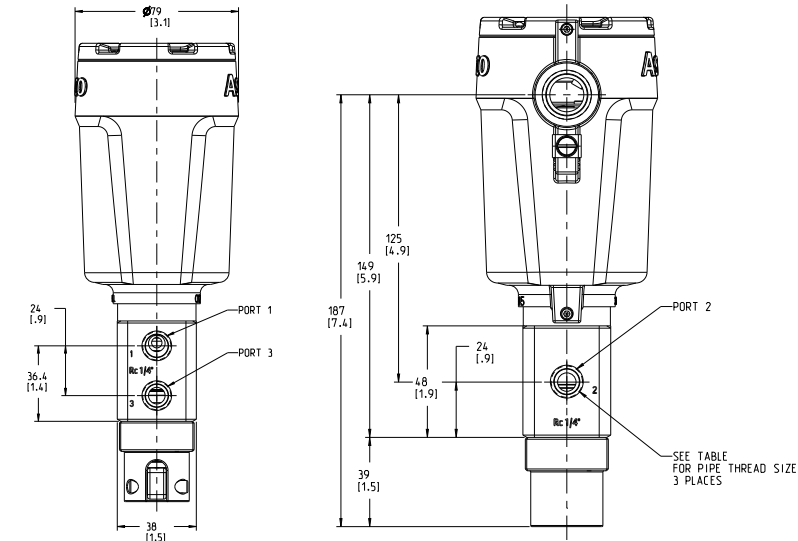


# ASCO™ High Flow Direct Acting Valves

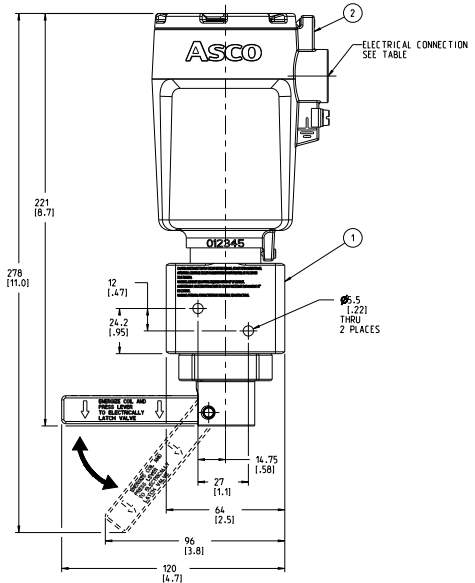
Balanced Poppet Type | 316 Stainless Steel Bodies | 1/4" Porting

**3/2  
Series  
327**

## Dimensions C: mm (inches) No Voltage Release



## Dimensions D: mm (inches) Tamper Proof - No Voltage Release



Body Material	Option	Construction	Rebuild Kit Number
Standard Mounting Stainless Steel	No Option	Standard Temperature	M200932
		Low Temperature	M200933
	Manual Operation Push (MO)	Standard Temperature	M200934
		Low Temperature	M200935
	Manual Operation Screwed (MS)	Standard Temperature	M200936
		Low Temperature	M200937
	Removable Pressurized (MO/MS)	Standard Temperature	M200938
		Low Temperature	M200939
No Voltage Release	Standard Temperature	M200981	
	Tamperproof No Voltage Release	Standard Temperature	M200982
NAMUR Mounting Stainless Steel	No Option	Standard Temperature	M200940
		Low Temperature	M200941
	Manual Operation Push (MO)	Standard Temperature	M200942
		Low Temperature	M200943
	Manual Operation Screwed (MS)	Standard Temperature	M200944
		Low Temperature	M200945
	Removable Pressurized (MO/MS)	Standard Temperature	M200946
		Low Temperature	M200947
	No Voltage Release	Standard Temperature	M200984

Availability, design and specifications are subject to change without notice.  
© 2024 Emerson Electric Co. All rights reserved.