

# 327 for Railway Applications

Special execution for Railway and other applications

Series  
X327

## Features

- Compliant for Fire protection on Railway Vehicles to EN45545-2: 2016
- Electrical compliant to EN50155: 2008
- Environmentally compliant to EN 60068-2-30:2006 EN 60068-2-1,-2-2 :2008 EN 60068-2-52 :2018
- Shock & Vibration test compliant to EN 61373: 2011
- Function, Leakage , response and Life tested to Railway requirements
- The solenoid valves are recommended for pilot applications with basic flow, wide pressure ranges and has no minimum operating pressure



## General

<b>Differential pressure</b>	: 0 - 10 bar [1 bar = 100kPa]
<b>Maximum viscosity</b>	: 65 cSt (mm <sup>2</sup> /s)
<b>Response times</b>	: ≤ 100 - ≤ 1000 ms
<b>Nominal Voltage</b>	: 24VDC +25% -30% (F1 Suffix)
<b>Available Voltage</b>	: 110V/DC 230v/50-60Hz

X327 Valve Type	Flow (Kw)	Orifice (mm)	Power Consumption	Ambient Temp.
X327 BF MXX	0,27	5,7 (BF)	11,2 Watt	-40 / +70°C
X327 BF M12	0,43		5,7 Watt	
X327 HF M12	1,5	12,0 (HF)	23,0 Watt	

## Materials in contact with fluid

(\*) Ensure that the compatibility of the fluids in contact with the materials is verified

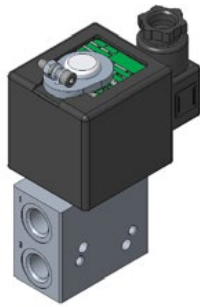
	Aluminium	Stainless steel
<b>Body</b>	Aluminium	AISI 316L SS
<b>Stem</b>	Stainless steel	Stainless steel
<b>Core tube</b>	Stainless steel	Stainless steel
<b>Core and Plugnut</b>	Stainless steel	Stainless steel
<b>Springs</b>	Stainless steel	Stainless steel
<b>Sealings &amp; Poppets</b>	(F)VMQ	(F)VMQ
<b>Rider ring</b>	PTFE	PTFE

# 327 for Railway Applications

Special execution for Railway and other applications

Series  
**X327**

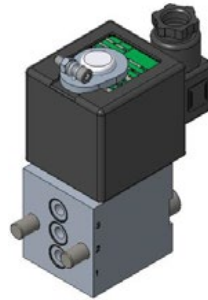
## Basic flow (BF) variants



X327549133001F1  
5,7 Watt



X327549134001F1  
5,7 Watt

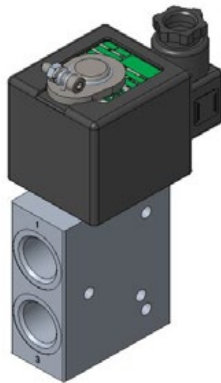


X327549135001F1  
5,7 Watt

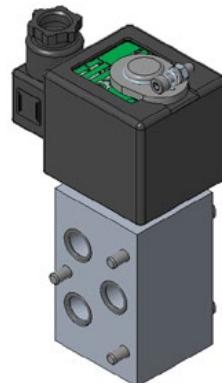


X327549136001F1  
11,2 Watt

## High flow (HF) variants

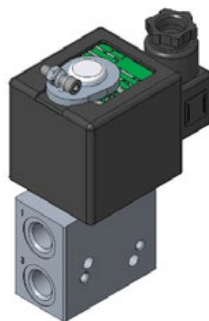


X327549137001F1  
23,0 Watt



X327549138001F1  
23,0 Watt

X327 Valve Type	Flow (Kw)	Orifice (mm)	Power Consumption	Ambient Temp.
X327554788001F1	0,43	5,7 mm	10 Watt	-15 / +100°C



X327554788001F1  
10,0 Watt

Availability, design and specifications are subject to change without notice.  
© 2024 Emerson Electric Co. All rights reserved.

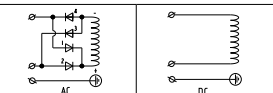
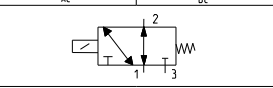
# 327 for Railway Applications

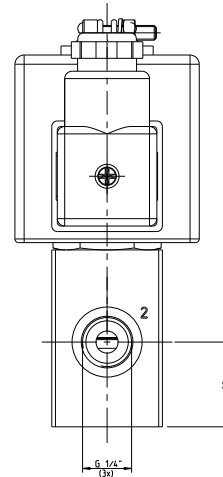
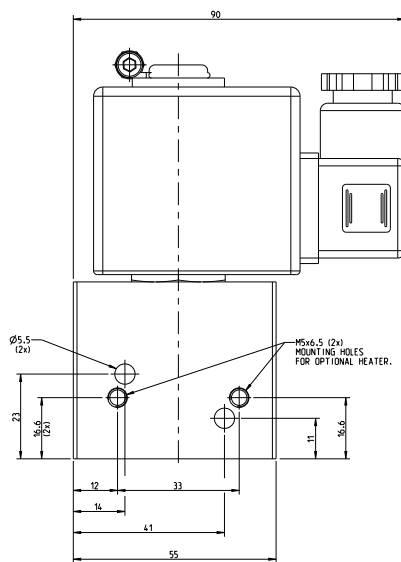
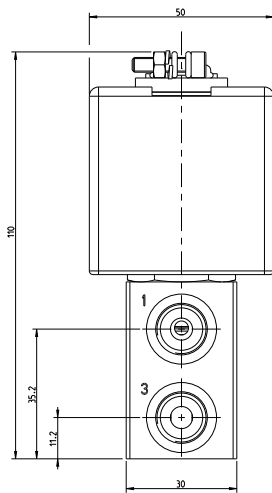
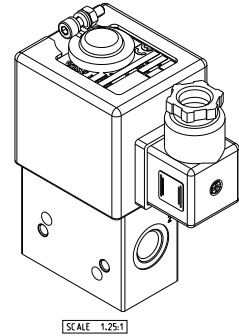
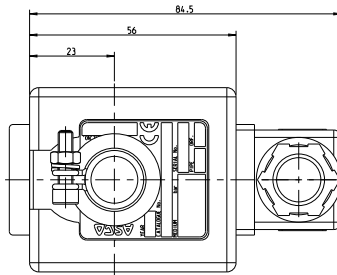
Special execution for Railway and other applications

Series  
X327

Dimensions: mm (inches)

X327549133001F1

<b>Coil Schematic</b>	
<b>Iso Symbol</b>	



# 327 for Railway Applications

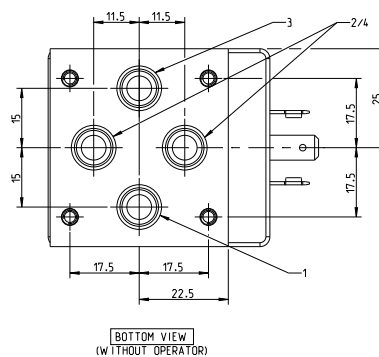
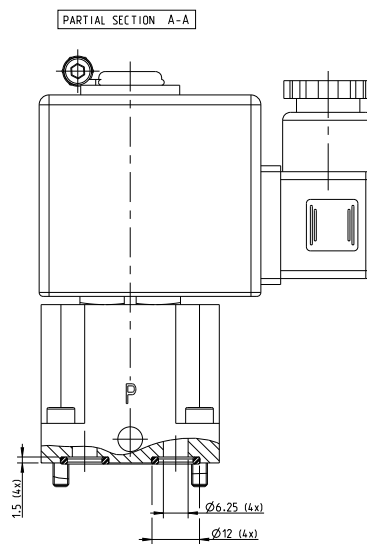
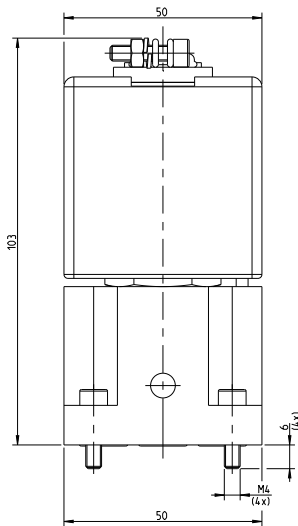
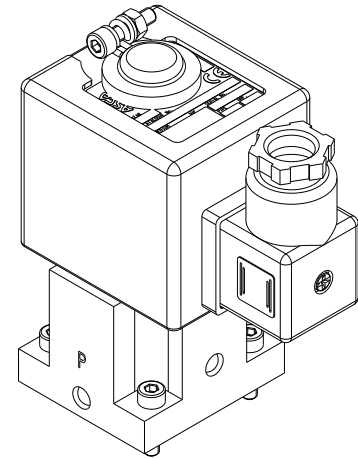
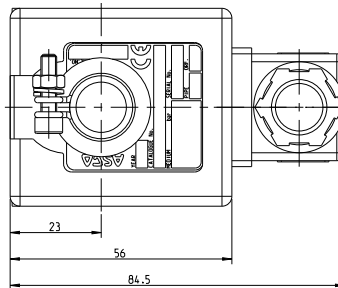
Special execution for Railway and other applications

Series  
X327

Dimensions: mm (inches)

X327549134001F1

Coil Schematic	
Iso Symbol	



Availability, design and specifications are subject to change without notice.  
© 2024 Emerson Electric Co. All rights reserved.

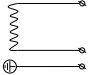
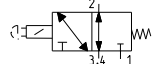
# 327 for Railway Applications

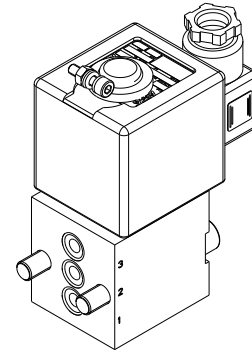
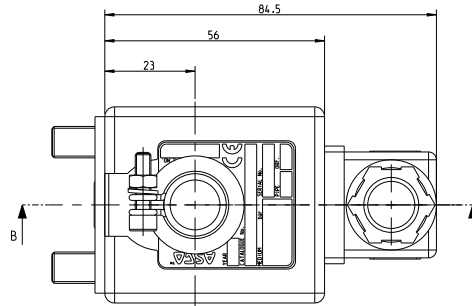
Special execution for Railway and other applications

Series  
X327

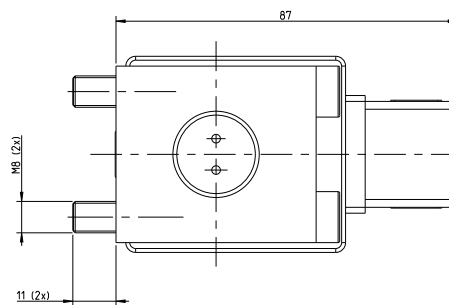
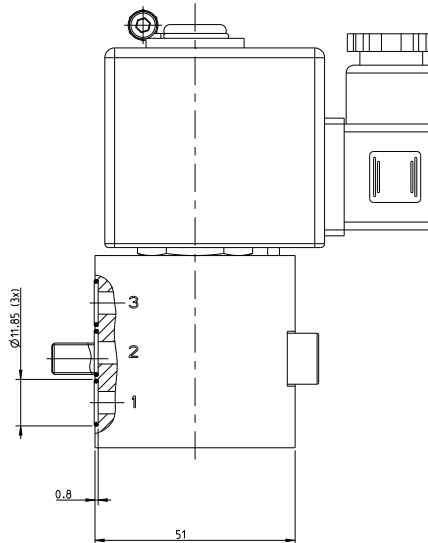
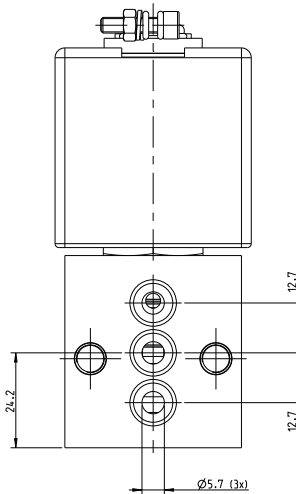
Dimensions: mm (inches)

X327549135001F1

Coil Schematic	
Iso Symbol	



ITEM 001 SHOWN  
PARTIAL SECTION B-B



Availability, design and specifications are subject to change without notice.  
© 2024 Emerson Electric Co. All rights reserved.

# 327 for Railway Applications

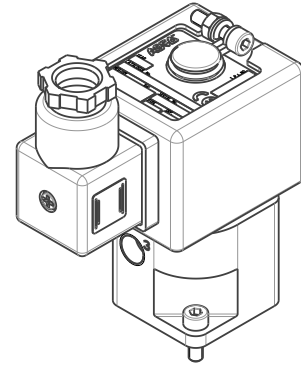
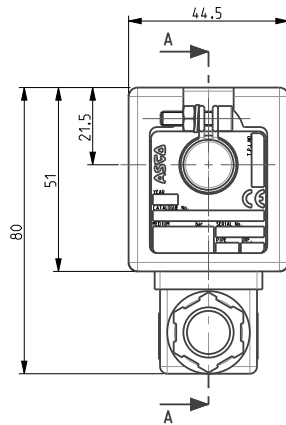
Special execution for Railway and other applications

Series  
X327

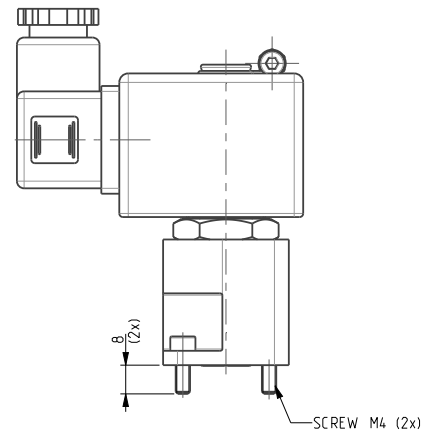
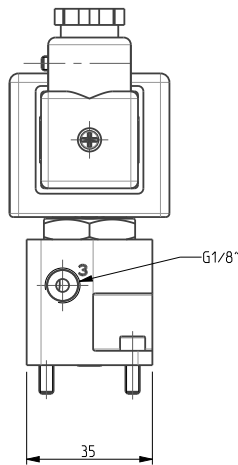
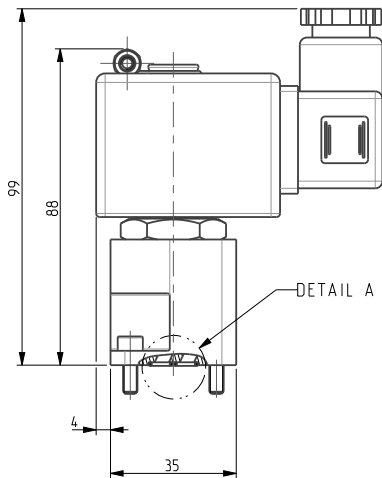
Dimensions: mm (inches)

X327549136001F1

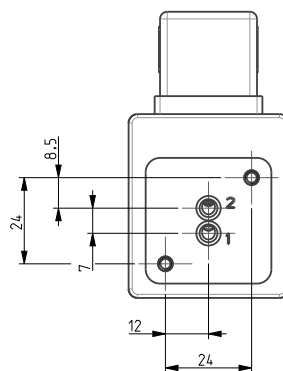
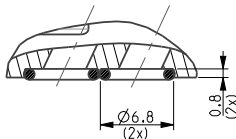
Coil Schematic	
Iso Symbol	



PARTIAL SECTION A-A



DETAIL A  
SCALE (3:1)



Availability, design and specifications are subject to change without notice.  
© 2024 Emerson Electric Co. All rights reserved.

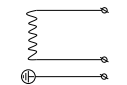
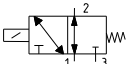
# 327 for Railway Applications

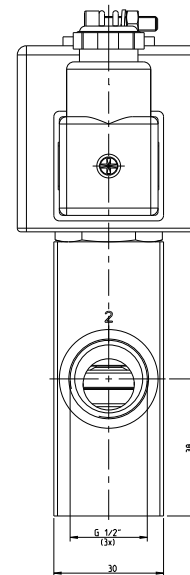
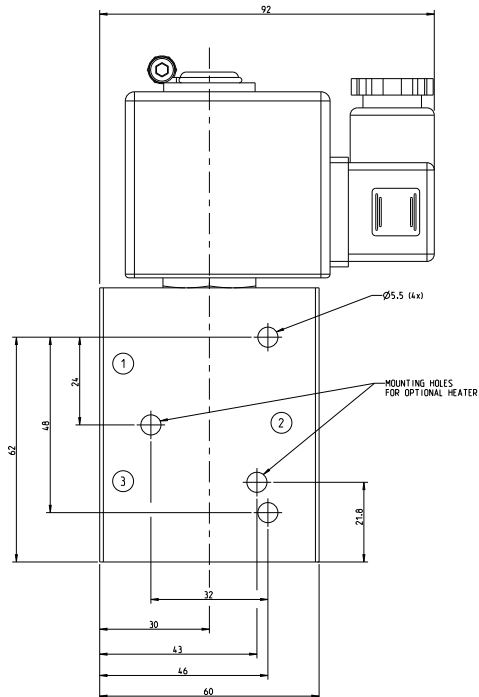
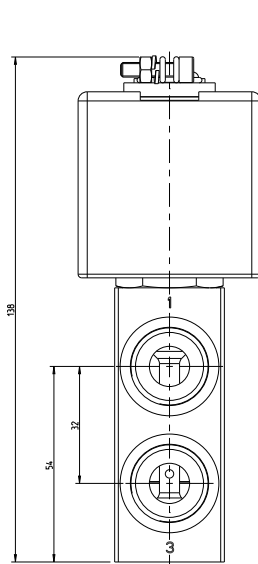
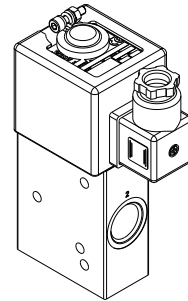
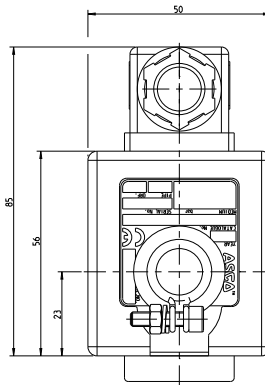
Special execution for Railway and other applications

Series  
X327

Dimensions: mm (inches)

X327549137001F1

Coil Schematic	
Iso Symbol	



Availability, design and specifications are subject to change without notice.  
© 2024 Emerson Electric Co. All rights reserved.

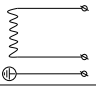
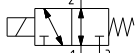
# 327 for Railway Applications

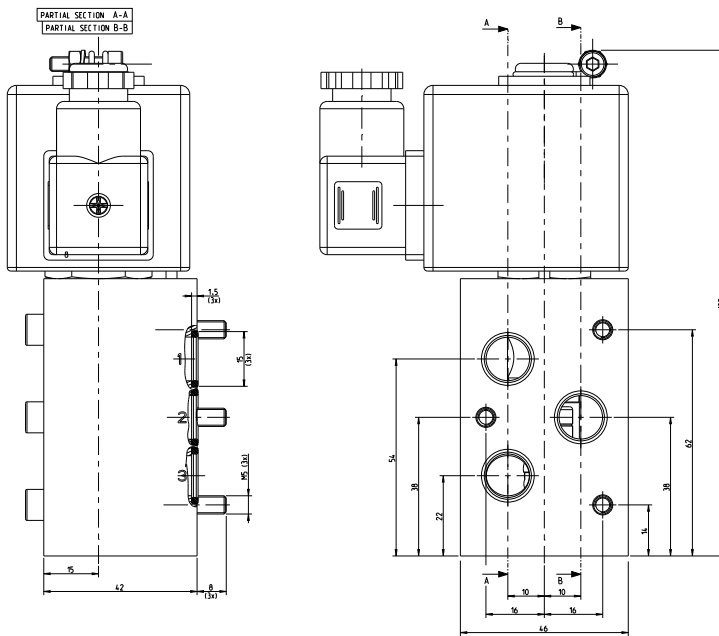
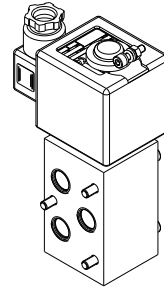
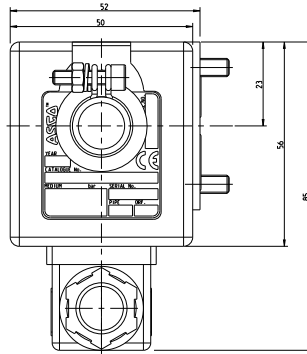
Special execution for Railway and other applications

Series  
X327

Dimensions: mm (inches)

X327549138001F1

Coil Schematic	
Iso Symbol	



Availability, design and specifications are subject to change without notice.  
© 2024 Emerson Electric Co. All rights reserved.