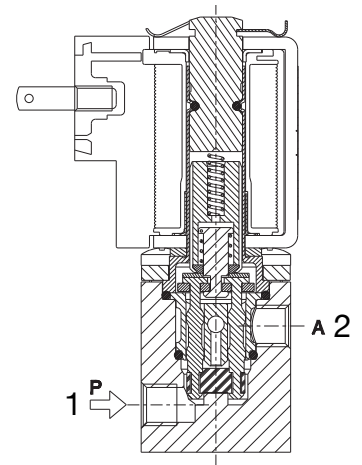
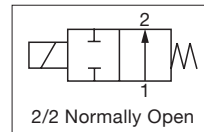


# ASCO™ MINIATURE SOLENOID VALVES

## GENERAL SERVICE VALVES, 2-WAY NORMALLY OPEN

- The Series 226 direct acting solenoid valve can be used with both liquids and gases
- Low power versions (0.5W), and latching coil versions (power consumption close to zero) results in a decrease in OEM instrument power consumption as well as a decrease in heat transferred to the fluid media
- Small form-factor saves space in OEM instruments and are well-suited for portable and hand-held field devices
- Multiple electrical connection options offer greater flexibility in OEM instrument design and serviceability
- Meets all relevant CE directives, and is RoHS compliant
- Typical applications include:
  - Dental Equipment
  - Gas Chromatography
  - Industrial Analyzers
  - Respiratory Devices



Fluids*	Temperature Range	Seal Materials*
Liquids and gases	-10°C +90°C (14°F to 194°F)	NBR

\* Ensure that the compatibility of the materials in contact with the fluids is verified.

General Valve Information	
Body	Brass
Sealing	NBR
Internal components	Brass, PEI (Polyetherimide) and stainless steel
Seat	PEI
Core tube	Brass
Maximum allowable pressure (PS)	16 bar (232 psi)
Response Time	<10ms
Fluid temperature	-10°C +90°C (14°F to 194°F)
Max viscosity	3°E (22 cStokes or mm <sup>2</sup> /s)

Electrical Characteristics	
Continuous duty	ED 100%
Encapsulation material	PA (Polyamide) fiberglass reinforced
Coil insulation class	F (155°C)
Ambient temperature	-10°C to 60°C (14°F to 140°F)
Electric connection*	DIN 46340
Electrical Enclosure Protection	IP 65 (EN 60529) with micro plug connector
Voltages DC	12 VDC, 24 VDC (-5%/+10%)

\* leaded coil on request

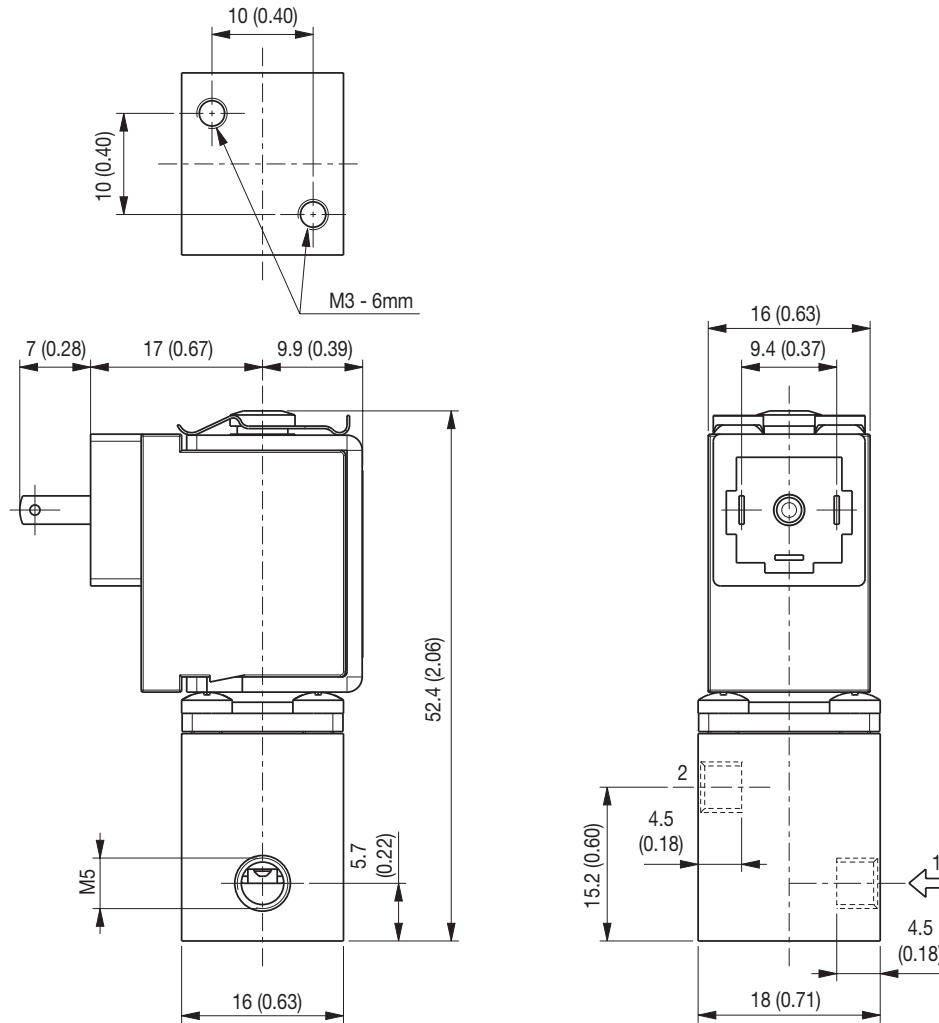
Specifications																	
Port size ISO-UNI 4534	Orifice Size (mm)	Operating Pressure, bar (psi)						Flow Coefficient		Power absorption			Seals	Catalog Number		Voltage	
		Δp min	Δp max				Kv (m <sup>3</sup> /h)	Cv	AC. (VA)		DC. (W)	Valve		12V DC	24V DC		
			Gases		Liquids				Inrush	Holding							
			AC	DC	AC	DC											
M5	1 (0.039)	0	-	10 (145)	-	10 (145)	0.04	0.05	-	-	4	NBR	H226A554S0A00 H226A554S0A00	F3 -	- F1		
	2 (0.079)		-	3.5 (51)	-	3.5 (51)	0.10	0.12	-	-	4	NBR	H226A555S0A00 H226A555S0A00	F3 -	- F1		

**NOTE:**

These micro-solenoid valves are not suitable for stagnating media subject to vaporization which deposit solid, calcareous, incrusting residues or similar.  
 Seal: NBR = Nitrile Butadiene Rubber  
 1 - For reference, F1 = 24 VDC; F3 = 12 VDC

01076GB-2019-R01

**Dimensions: mm (inches)**



**Mounting**

- Solenoid valve can be mounted in any position; vertical with coil upwards preferred.