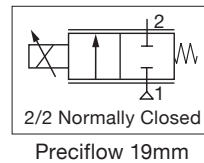
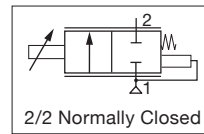


ASCO™ MINIATURE SOLENOID VALVES

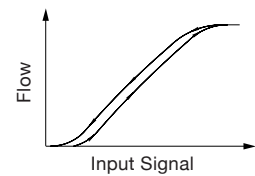
PROPORTIONAL VALVES, PRECIFLOW IPC, PRECIFLOW 19mm

- Preciflow solenoid valves are designed to proportionally control the flow of air and inert gases by varying the electrical input signal to the coil
- Low hysteresis (typ. < 5%), excellent repeatability (typ. < 1%), and high sensitivity (typ. < 1%) make these valves ideal for high precision flow control
- Compact frictionless architecture saves valuable space in analytical and medical instrumentation
- Valves do not require a minimum operating pressure
- Low power consumption to meet the most stringent instrument power requirements
- Meets all relevant CE directives, and is RoHS compliant
- Typical applications include:
 - Respiratory Therapy
 - Gas Chromatography
 - Blood Pressure Monitoring
 - Anesthesia Delivery



Version	Fluids*	Temperature Range	Seal Materials*
Preciflow IPC	Air or Inert Gases ¹	10 °C to 50 °C (50 °F to 122 °F)	Preciflow IPC: FKM, NBR
Preciflow 19 mm		0 °C to 50 °C (32 °F to 122 °F)	Preciflow 19mm: FKM (EDPM or FFKM on request)

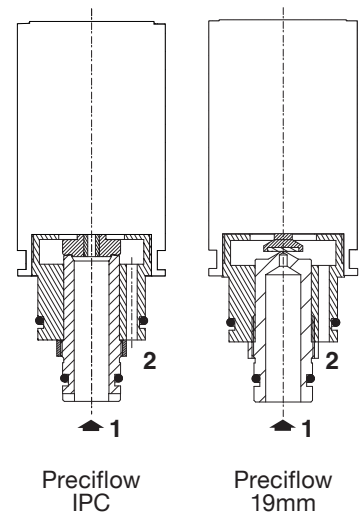
* Ensure that the compatibility of the materials in contact with the fluids is verified.
¹ Filtration: 5µm



General Valve Information		
	Preciflow IPC	Preciflow 19mm
Body	Stainless Steel and Brass (Line Mount) or POM (Pad Mount)	Stainless Steel
Others	Stainless Steel, FKM, PPS	POM, Brass, Stainless Steel, PPS
Max. Viscosity	50 cSt (mm ² /s)	

Electrical Characteristics	
Coil Insulation Class	F
Connector	Lead Wires (PTFE/ ETFE); 0.23m (9in) length (24 AWG)
Electrical Safety	IEC 335
Electrical Enclosure Protection	IP50 (EN 60529)
Standard Voltages ²	6 VDC, 12 VDC, 24 VDC
Input signal	0-6 VDC, 0-12 VDC, 0-24 VDC; Pulse-width Modulation (min. 2000Hz), Current control recommended
Flow Regulation Characteristics	Hysteresis < 5%; Repeatability < 1%; Sensitivity < 1%

² Other voltages on request



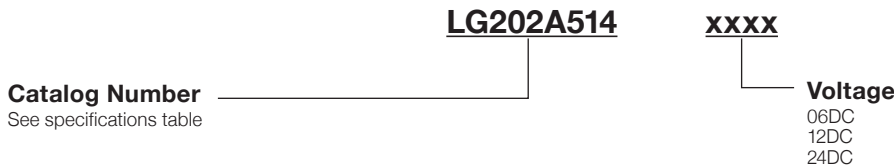
Voltage	Max. Operating Current	Power Ratings				Ambient Temperature Ranges	Type ³
		Inrush	Holding	Hot/Cold			
V	mA	VA	VA	W	W	°C (°F)	
Preciflow IPC							
6	420	-	-	-	2.5	10 to 50 (50 to 122)	01
12	210						
24	110						
Preciflow 19mm							
6	max. 90	-	-	-	0.5	0 to 50 (32 to 122)	01
	max. 420				2.5		
12	max. 45				0.5		
	max. 210				2.5		
24	max. 25				0.5		
	max. 110				2.5		

³ Refer to the dimensional drawings on the following pages

01011GB-2020-R01

Specifications							
Connection	Orifice Size mm (inches)	Flow Coefficient		Operating Pressure bar (psi)		Power Rating w	Catalog Number
		Kv (m ³ /h)	Cv	min.	max. air, inert gas		
Preciflow IPC*							
G1/8	3 (0.12)	0.17	0.20	0	7 (102)	2.5	LG202A514
Cartridge	3 (0.12)	0.17	0.20				LS202A515
Pad Mounting	3 (0.12)	0.17	0.20				LS202A516
* Backpressure: max. 10% of inlet pressure							
Preciflow 19mm							
Cartridge	0.1 (0.004)	0.0003	0.00035	-0.9 (-13)	10 (145)	0.5	LS202A517
	0.2 (0.008)	0.0012	0.0014				LS202A518
	0.5 (0.020)	0.0072	0.0083			2.5	LS202A519
	0.8 (0.031)	0.015	0.017				LS202A520
	1.2 (0.047)	0.021	0.024				LS202A521
	1.6 (0.063)	0.028	0.032				LS202A522

How to Order



ASCO™ MINIATURE SOLENOID VALVES

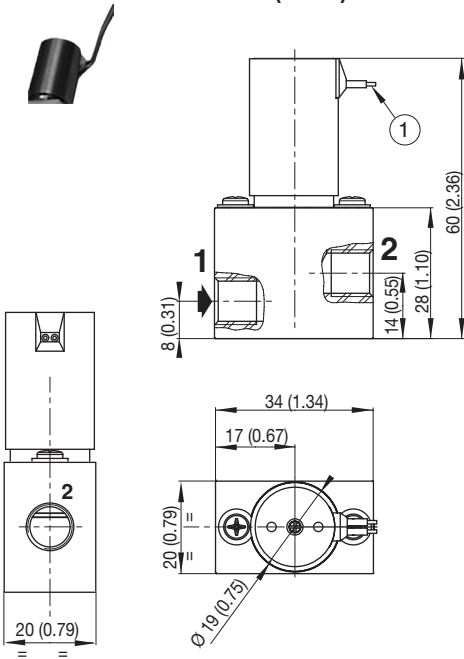
PROPORTIONAL VALVES, PRECIFLOW IPC, PRECIFLOW 19mm

Dimensions: mm (inches)

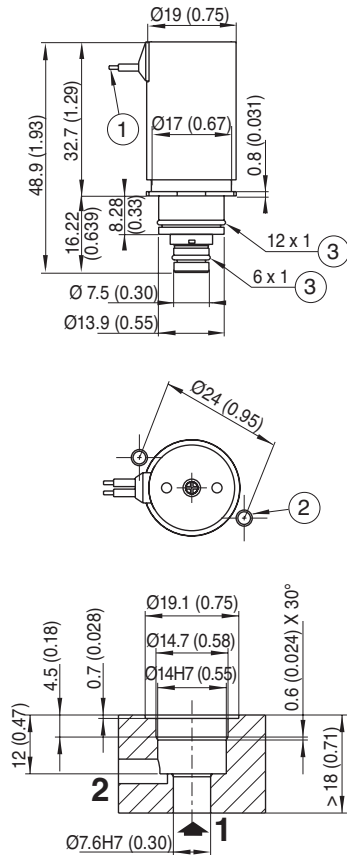
Preciflow IPC

Type 01 Prefix "L" Leaded Coil
IP50

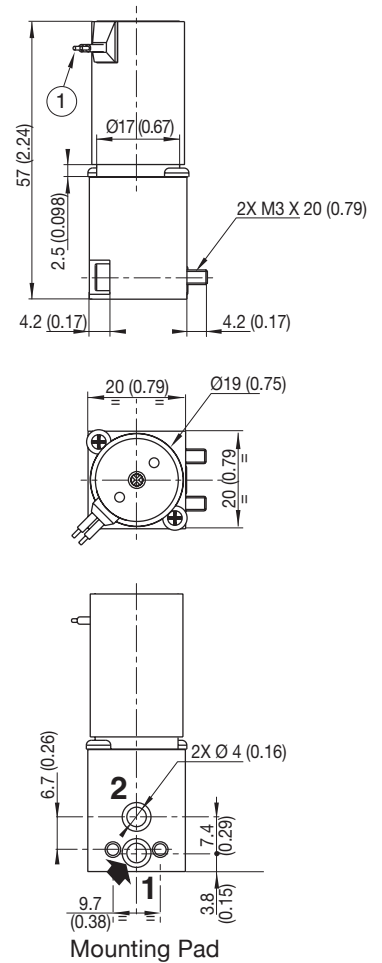
LG202A514 (Brass)



LS202A515 (Stainless Steel)



LS202A516 (POM)



- ① 2 electrical supply wires, length: 0.23m (9in)
- ② Mounting: 2 screws M3 x 6mm (0.24in) + washers
- ③ O-ring

Mounting Geometry (Proposal)

Mounting Pad

Type	Catalog Number	Weight 1
		kg
01	LG202A514	0.183
	LS202A515	0.063
	LS202A516	0.073

1 Including leads, length 0.23m (9in)

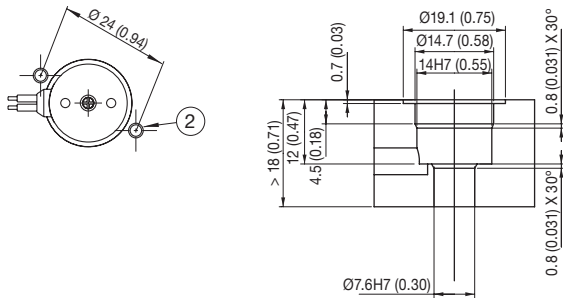
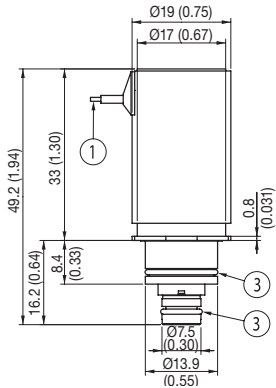
Dimensions: mm (inches)

Preciflow 19mm

Type 01 Prefix "L" Leaded Coil
IP50



Preciflow 19mm Cartridge



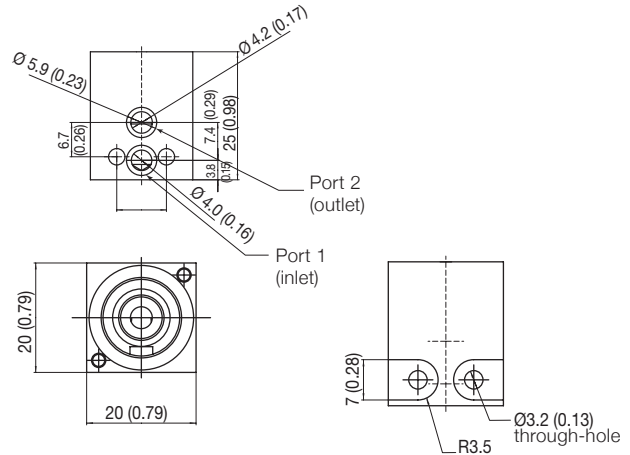
- ① 2 electrical supply wires, length: 0.23m (9in)
- ② Mounting: 2 screws M3 x 6mm (0.24in) + washers
- ③ O-ring

Catalog Number	Weight kg
LS202A517/518/519/520/521/522	0.063 ¹
528190-001	0.012kg
526624-001	0.013kg

¹ Including leads, length 0.23m (9in)

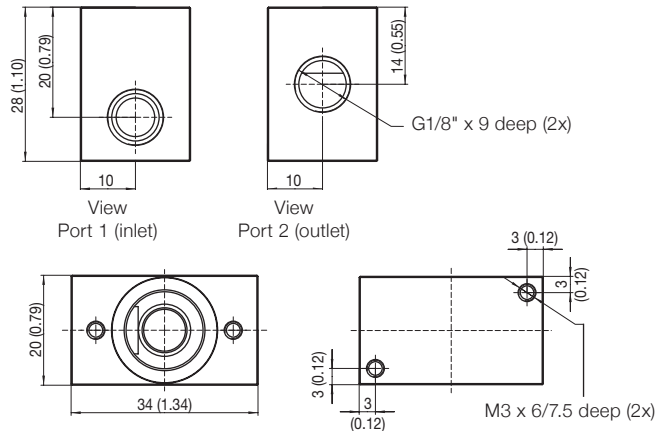
Pad Mount Subbase 526624-001

POM (supplied with 2 screws M3x20 and O-rings)



Inline Subbase 528190-001

Brass (supplied with 2 screws M3x6)



Options

- Digital control module Control^D for DIN EN 50022 rail mounting (for more information see specifications on page 185)
- Other pipe connections are available on request
- Other seal materials are available on request
- Version for higher backpressure on request (only Preciflow IPC)

Installation

- The solenoid valves can be mounted in any position without affecting operation
- Pipe connection identifier is G = G (ISO 228/1)