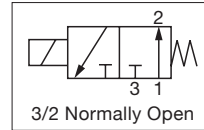
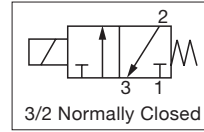


ASCO™ MINIATURE SOLENOID VALVES

GENERAL SERVICE VALVES, MINIATURE SOLENOID WITH LATCHING COIL

- The 188 Series latching coil solenoid valves are designed for use with air and inert gases, and can also be used to pilot other valves or cylinders
- The benefit of the latching coil is that no power consumption is needed to hold the valve in the open position
- Compact architecture and low power consumption of only 1.3 W make them ideal for portable medical devices
- Also available in a 1 W version for increased versatility
- LED visual indicator and electrical protection circuitry are standard features
- Meets all relevant CE directives, and is RoHS compliant
- Typical applications include:
 - Respiratory Therapy
 - Dental
 - Anesthesia Delivery
 - Industrial Gas Analyzers



Fluids	Temperature Range	Seal Materials
Air or Inert Gas, non-lubricated ¹	5 °C to 50 °C (41 °F to 122 °F)	NBR (Nitrile)
		FKM

¹ filtered at 25µm

General Valve Information*	
Body	PA (polyamide) MXD6
Others	Stainless steel, nickel-plated steel, synthetic material, aluminum
Response Time	< 10ms
Options	Oxygen clean available 300 Series Stainless Steel Body

* Other materials on request

Electrical Characteristics	
Standard Voltages*	5 VDC, 12 VDC, 24 VDC (-15%/+10%)
Power Consumption	1 - 1.3 W

* Other voltages on request

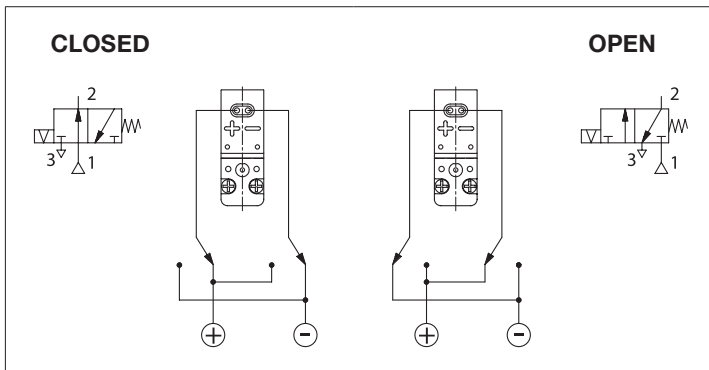
Insulation Class	Coil Insulation	Protection	Ambient Temperature Range	Electrical Connection
	°C (°F)		VA	
F	155 (311)	IP40	5 to 50 (41 to 122)	Connector with two 0.5mm ² lead wires + built-in LED and electrical protection or lead wires, 0.5m (19.7in) long

Specifications								
Orifice Size mm (inches)		Flow Coefficient Kv (m ³ /h) Cv		Operating Pressure bar (psi)		Power Rating W	Type of Electrical Connection*	Catalog Number
				min.	max. gases, liquids			
1 → 2	2 → 3							
3/2 NC/NO								
0.5 (0.020)	0.7 (0.028)	0.007	0.008	0	7 (101)	1.3	01	18801101
							02	18801102
							03	18801103
							04	18801104
							05	18801105
0.8 (0.031)	0.8 (0.031)	0.009	0.010	0	3 (43.5)	1.3	01	18801106
							02	18801107
							03	18801108
							04	18801109
							05	18801110
1.0 (0.040)	1.0 (0.040)	0.011	0.013	0	1 (14.5)	1.3	01	18801111
							02	18801112
							03	18801113
							04	18801114
							05	18801115

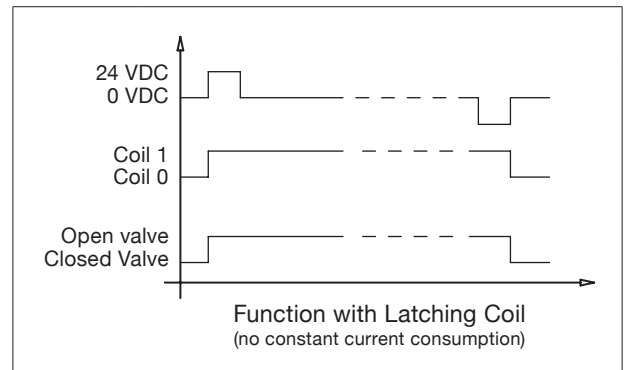
* Type 01, 02, 03, 04 with LED and electrical protection
01 = horizontal, width 5.08mm (0.2in)
02 = vertical, width 5.08mm (0.2in)

03 = horizontal, width 2.54mm (0.1in)
04 = vertical, width 2.54mm (0.1in)
05 = cable ends 0.5m long (19.7in), 0.25mm²

Wiring Diagram



Functional Diagram



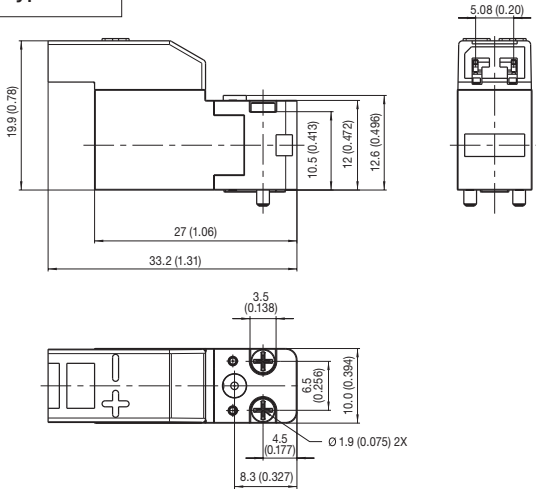
ASCO™ MINIATURE SOLENOID VALVES

GENERAL SERVICE VALVES, MINIATURE SOLENOID WITH LATCHING COIL

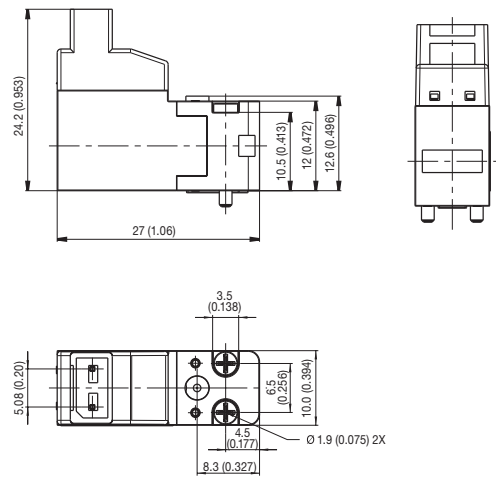
SERIES
188

Dimensions: mm (inches)

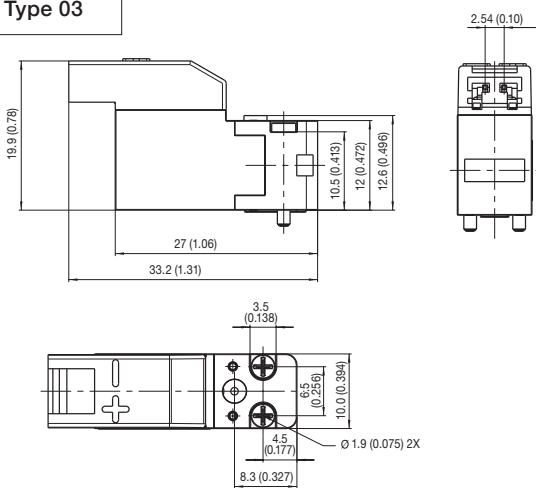
Type 01



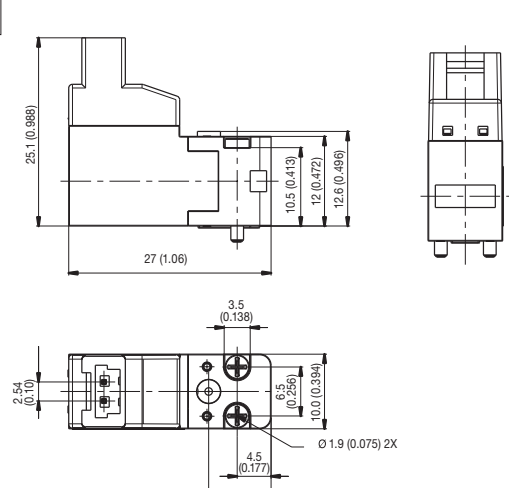
Type 02



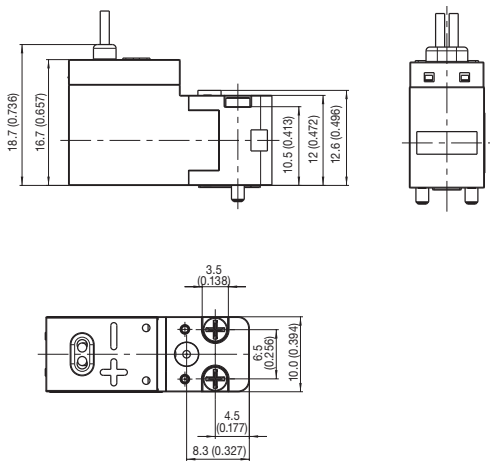
Type 03



Type 04



Type 05



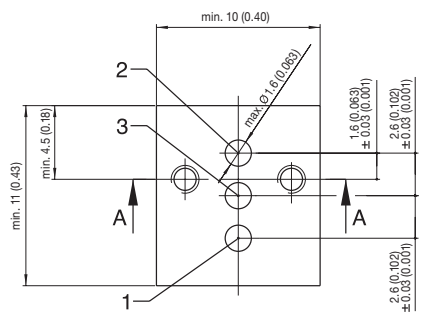
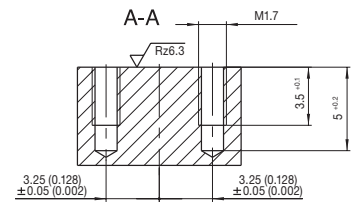
Flange Facing

NO
3 = Pressure
2 = Outlet
1 = Exhaust

NC
1 = Pressure
2 = Outlet
3 = Exhaust

Use in vacuum (NO)
3 = Vacuum pump
2 = Outlet
1 = Atmosphere

Use in vacuum (NC)
1 = Vacuum pump
2 = Outlet
3 = Atmosphere

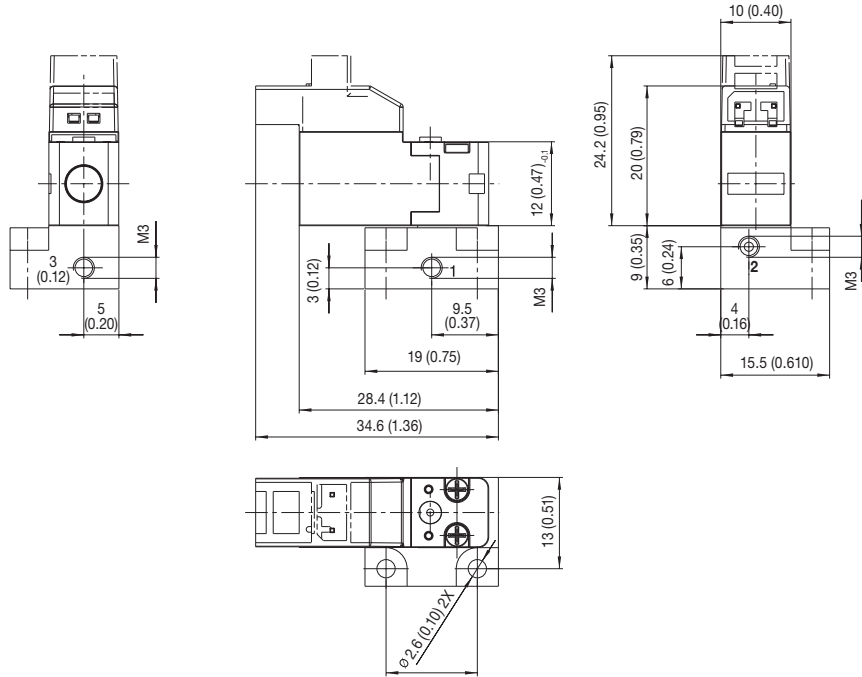


00217GB-2019-R01

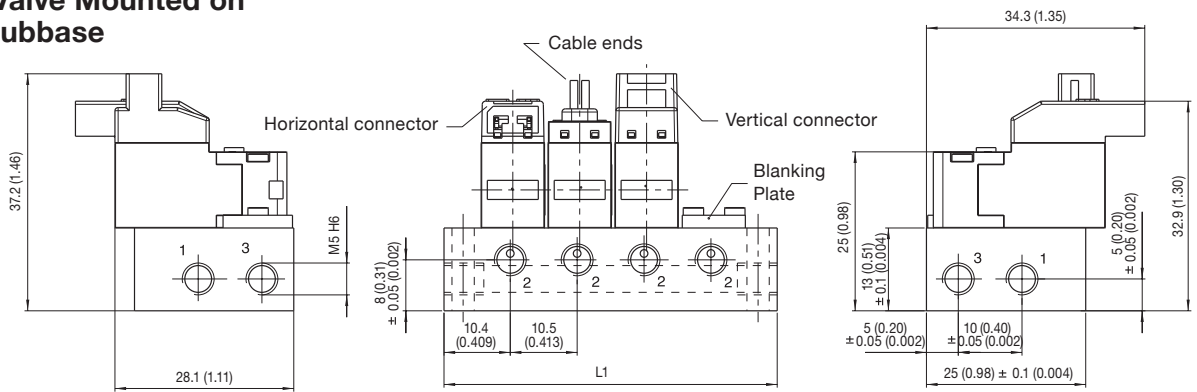
Dimensions: mm (inches)

Solenoid Valve Mounted on Single Subbase

Number of Valves	Subbase Catalog Number	Weight
		kg
1	35300101	0.015



Solenoid Valve Mounted on Multiple Subbase



Number of Valves	Subbase Catalog Number*	Length	
		L1	L2
2	35300102	33.5 (1.32)	27.5 (1.08)
3	35300103	44 (1.73)	38 (1.50)
4	35300104	54.5 (2.15)	48.5 (1.91)
5	35300105	65 (2.56)	59 (2.32)
6	35300106	75.5 (2.97)	69.5 (2.74)
7	35300107	86 (3.39)	80 (3.15)
8	35300108	96.5 (3.80)	90.5 (3.56)
9	35300109	107 (4.21)	101 (3.98)
10	35300110	117.5 (4.63)	111.5 (4.39)

A : Blanking plate, cat. number 88135305

NOTE:

The connectors must be ordered separately, please indicate the quantity and one of the following codes:
Connector, 2 wires:

- | | |
|--|--|
| Distance between contacts 5.08mm (0.2in) | Distance between contacts 2.54mm (0.1in) |
| - Length 0.5m (19.7in) - cat. no.: 88118801 | - Length 0.5m (19.7in) - cat. no.: 88118806 |
| - Length 1.5m (59.1in) - cat. no.: 88118802 | - Length 1.5m (59.1in) - cat. no.: 88118807 |
| - Length 3m (118in) - cat. no.: 88118803 | - Length 3m (118in) - cat. no.: 88118808 |

