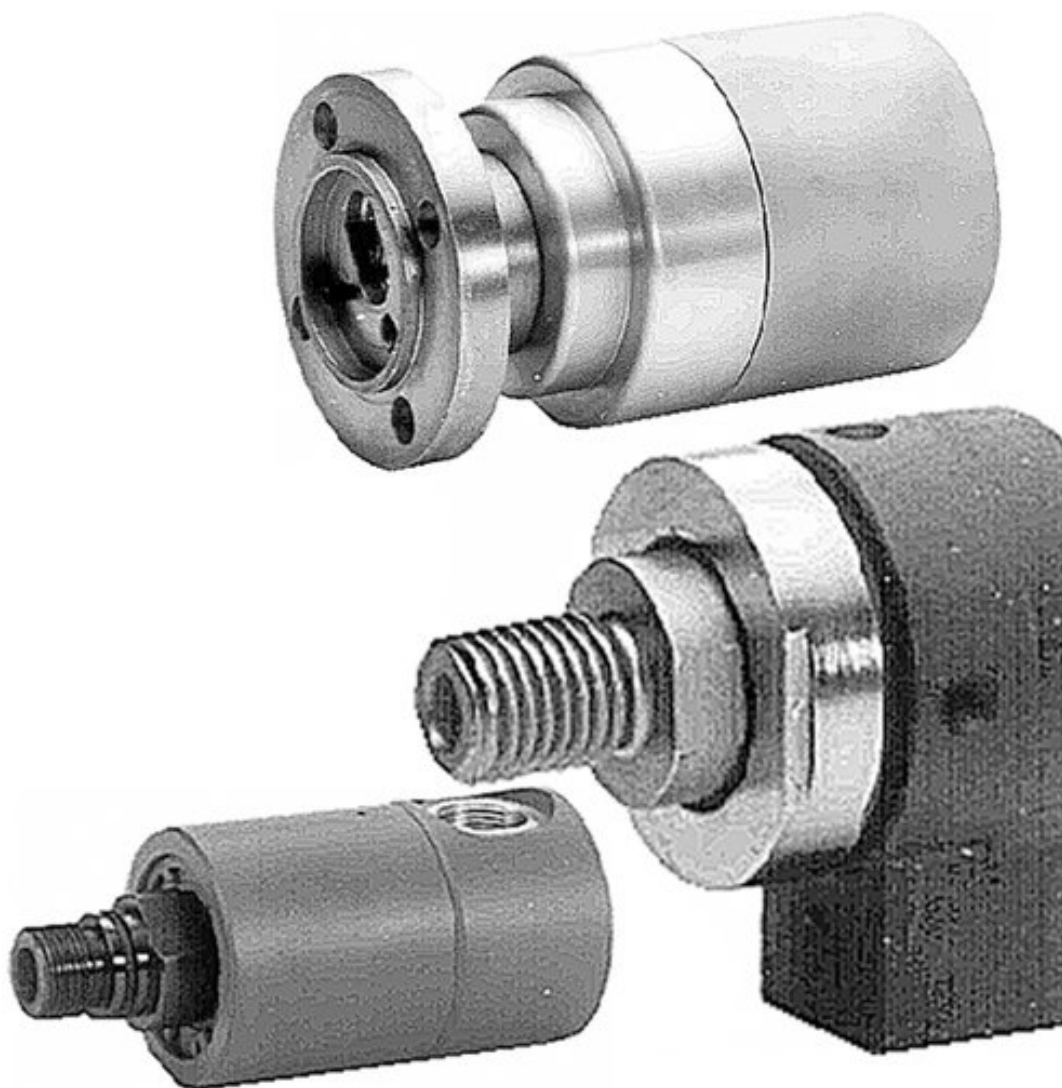


Rotary joints



AVENTICS™ Rotary joints



Rotary joint

- number of controlled lines 2

- Ø6 / Ø8



Working pressure min./max.

0 ... 7 bar

Ambient temperature min./max.

-25 ... 40 °C

Medium

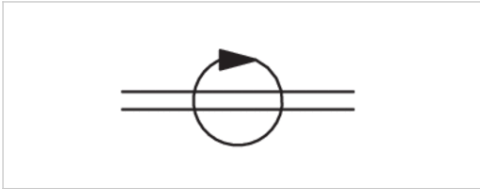
Compressed air

Speed max.

400 1/min

Weight

1.5 kg



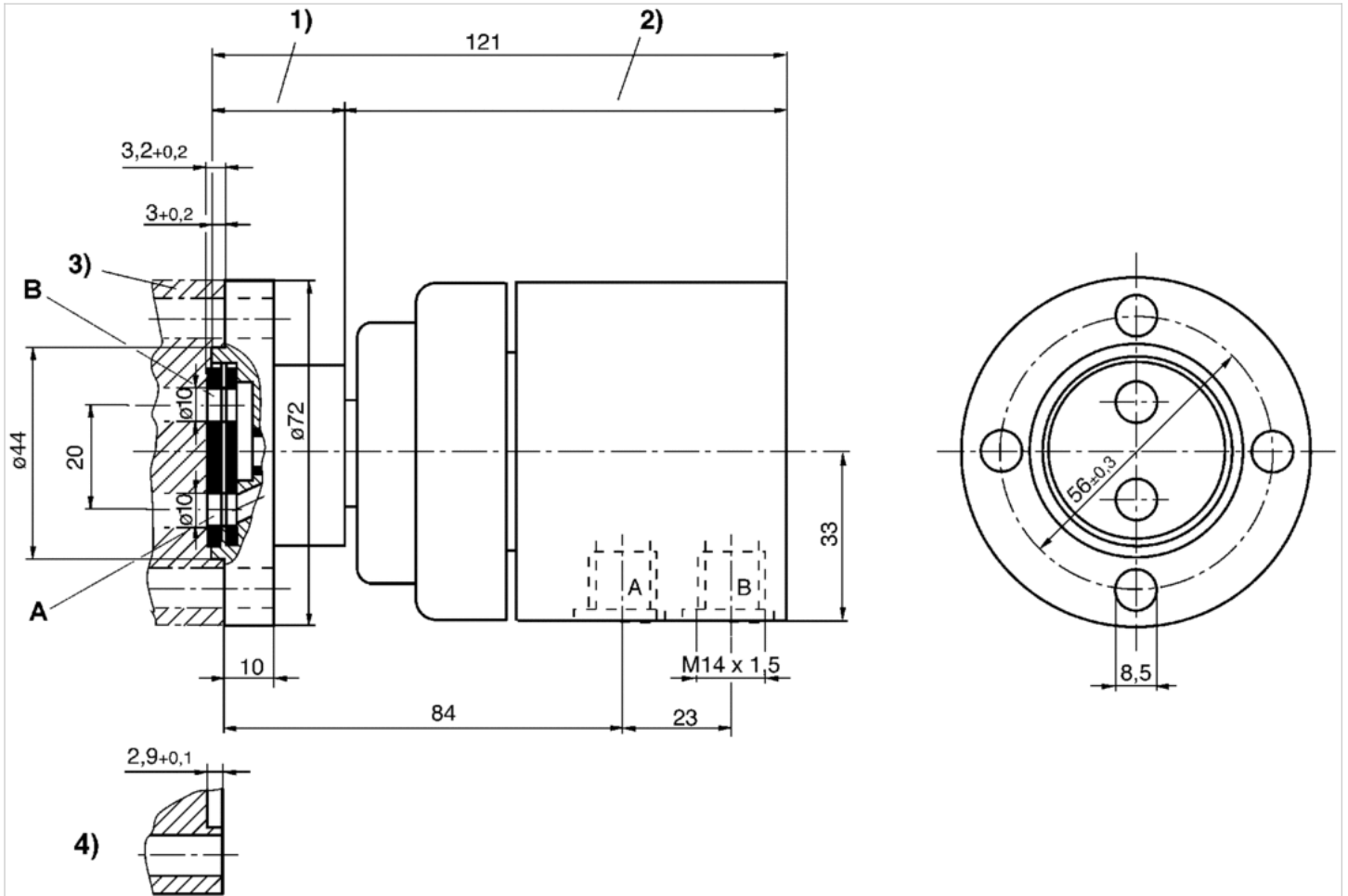
Technical data

| Part No. | Compressed air connection | Rotary joint |
|------------|---------------------------|--------------|
| 3531060010 | M14x1,5 | Ø6 / Ø8 |

Sealing disk included in the scope of delivery

Dimensions

Dimensions



1) rotor 2) stator 3) shaft 4) channel depth in shaft
 A = through-hole $\phi 6$
 B = through-hole $\phi 8$

Rotary joint

- number of controlled lines 1

- M16, right M16, left



Working pressure min./max.

0 ... 8 bar

Medium temperature min./max.

-25 ... 40 °C

Medium

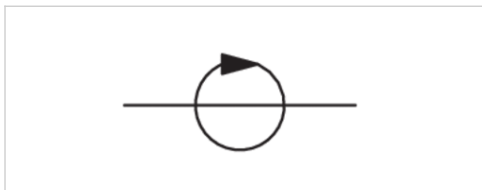
See table below

Speed max.

1270 1/min

Weight

0.33 kg

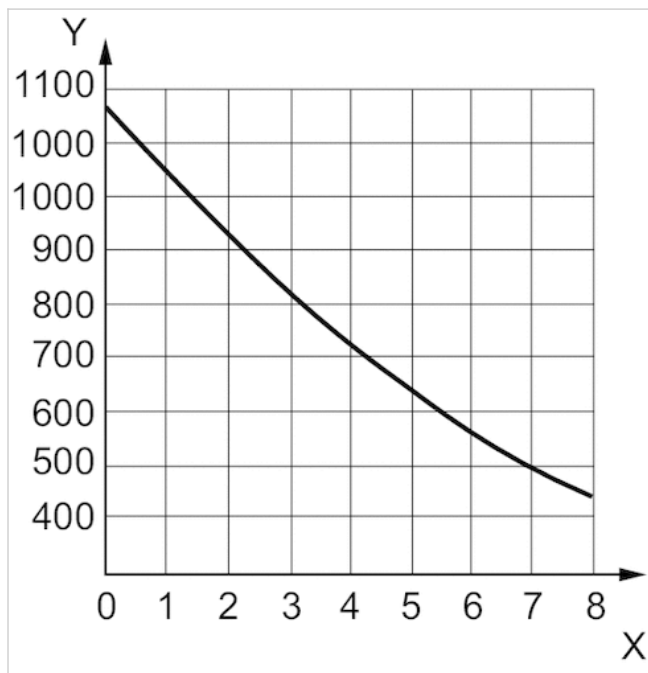


Technical data

| Part No. | Compressed air connection | Rotary joint | Medium |
|------------|---------------------------|--------------|----------------|
| 3531080010 | M14x1,5 | M16, right | Compressed air |
| 3531080030 | M14x1,5 | M16, left | Compressed air |
| 3531080040 | M14x1,5 | M16, right | Water |

Diagrams

Diagram



The diagram is valid at max. 20°C ambient temperature. x: Working pressure p [bar] y: Speed n [rpm]

Rotary joint

- number of controlled lines 1

- M22x1,5, right



Working pressure min./max.

0 ... 8 bar

Medium temperature min./max.

-25 ... 40 °C

Medium

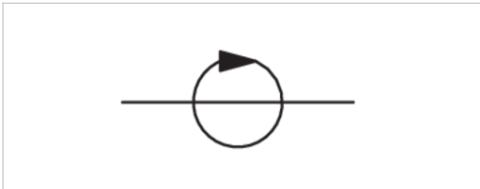
Compressed air

Speed max.

1000 1/min

Weight

0.7 kg

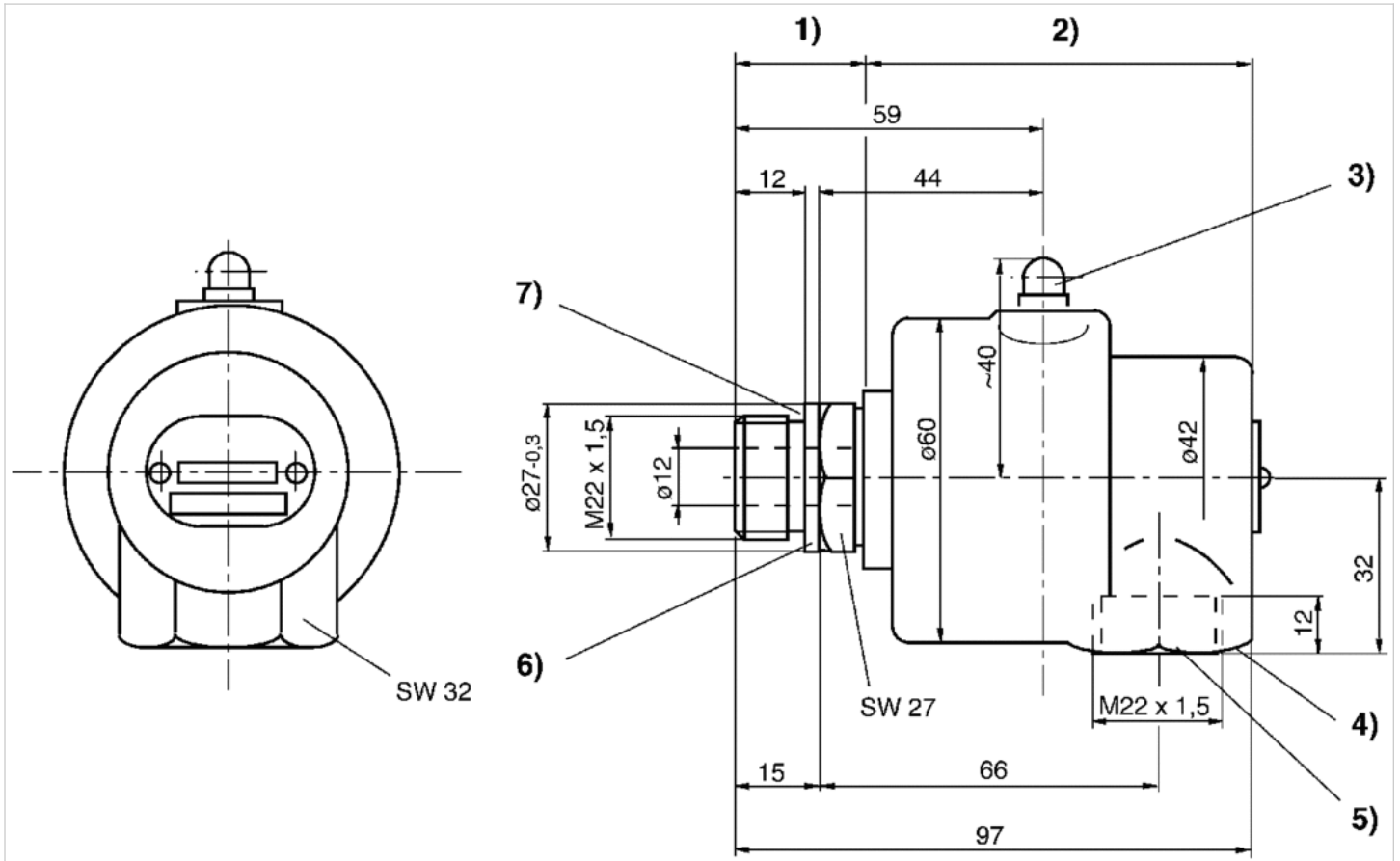


Technical data

| Part No. | Compressed air connection | Rotary joint |
|------------|---------------------------|----------------|
| 3531070000 | M22x1,5 | M22x1,5, right |

Dimensions

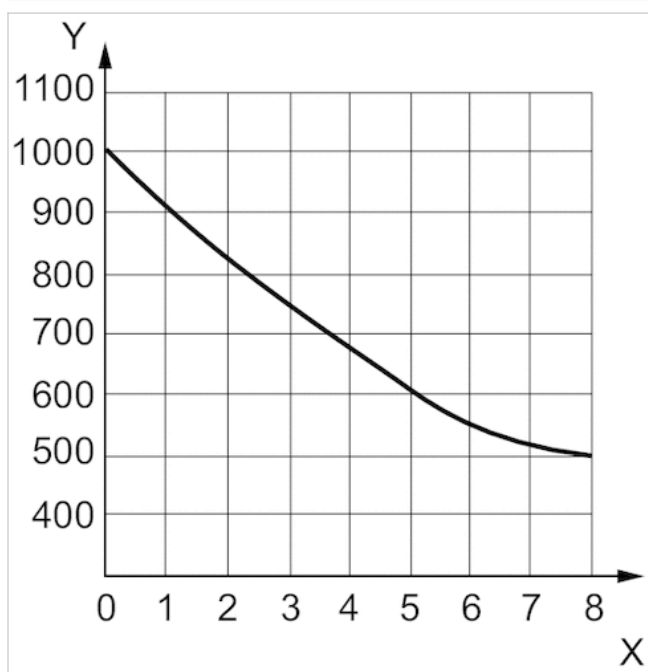
Dimensions



1) rotor 2) stator 3) tapered grease nipple AM 6 DIN 71 412 4) sealing surface 5) compressed air supply 6) centering 7) sealing surface

Diagrams

Diagram



The diagram is valid at max. 20°C ambient temperature. x: Working pressure p [bar] y: Speed n [rpm]

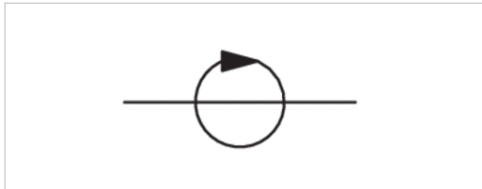
Rotary joint

- number of controlled lines 1
- M22x1,5, right



Working pressure min./max.
 Medium temperature min./max.
 Medium
 Speed max.
 Weight

0 ... 8 bar
 -25 ... 40 °C
 Compressed air
 3000 1/min
 0.98 kg

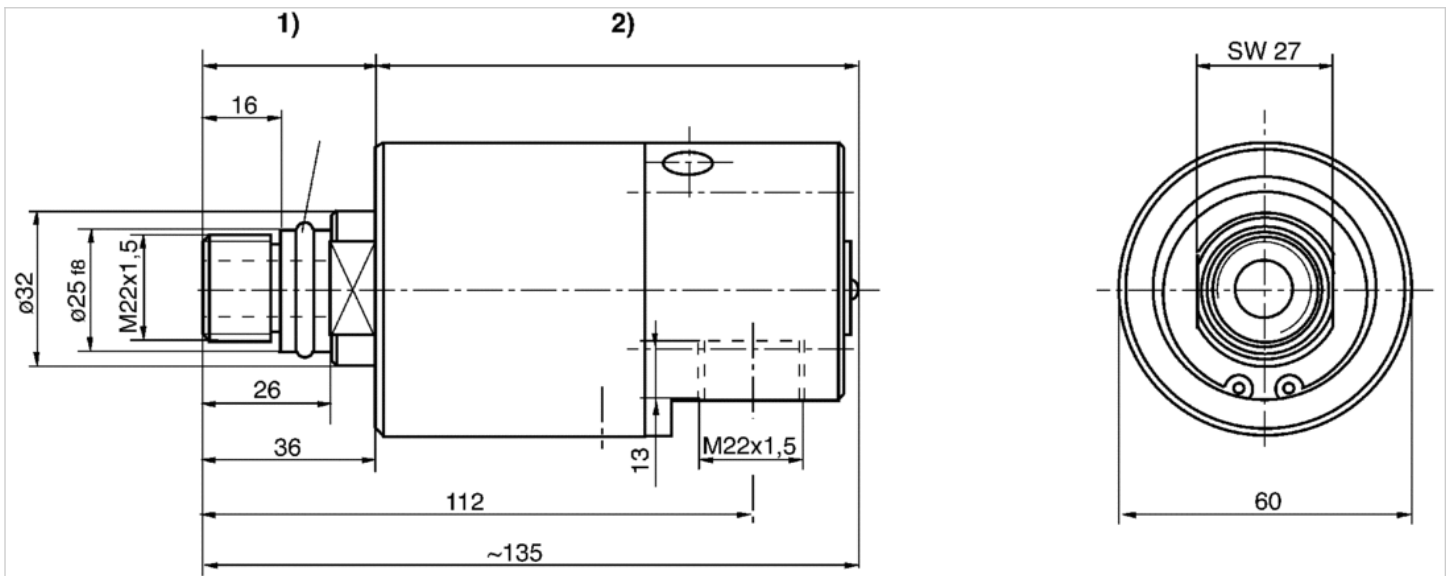


Technical data

| Part No. | Compressed air connection | Rotary joint |
|------------|---------------------------|----------------|
| 3531170000 | M22x1,5 | M22x1,5, right |

Dimensions

Dimensions



1) Rotor 2) Stator

Efficient pneumatic solutions, our program: cylinders and drives, valves and valve systems, air supply management



Visit us: [Emerson.com/Aventics](https://www.emerson.com/aventics)

Your local contact: [Emerson.com/contactus](https://www.emerson.com/contactus)



Emerson.com



[Facebook.com/EmersonAutomationSolutions](https://www.facebook.com/EmersonAutomationSolutions)



[LinkedIn.com/company/Emerson-Automation-Solutions](https://www.linkedin.com/company/Emerson-Automation-Solutions)



[Twitter.com/EMR_Automation](https://twitter.com/EMR_Automation)

An example configuration is depicted on the title page. The delivered product may thus vary from that in the illustration. Subject to change. This Document, as well as the data, specifications and other information set forth in it, are the exclusive property of AVENTICS GmbH. It may not be reproduced or given to third parties without its consent. Only use the AVENTICS products shown in industrial applications. Read the product documentation completely and carefully before using the product. Observe the applicable regulations and laws of the respective country. When integrating the product into applications, note the system manufacturer's specifications for safe use of the product. The data specified only serve to describe the product. No statements concerning a certain condition or suitability for a certain application can be derived from our information. The information given does not release the user from the obligation of own judgment and verification. It must be remembered that the products are subject to a natural process of wear and aging.

The Emerson logo is a trademark and service mark of Emerson Electric Co. Brand logotype are registered trademarks of one of the Emerson family of companies. All other marks are the property of their respective owners. © 2017 Emerson Electric Co. All rights reserved.
2019-03



CONSIDER IT SOLVED™