

Specifications

For other materials or modifications, please consult TESCOM.

FLUID MEDIA

Non-corrosive gases up to gas purity 5.0 (99.999 Vol %)

OPERATING PARAMETERS

Pressure rating per criteria of ANSI/ASME B31.3

Maximum Inlet Pressure

290 psig / 20.0 bar

Outlet Pressure Ranges

0.07-0.73 psig / 5-50 mbar

0.73-7.25 psig / 50-500 mbar

2.9-22 psig / 0.20-1.5 bar

14.5-58 psig / 1.00-4.0 bar

Nominal Flow

Max. 72 (m³/h air)

Operating Temperature

-4°F to 158°F / -20°C to 70°C

MEDIA CONTACT MATERIALS

Body

Aluminum

Diaphragm

Butyl Rubber with PTFE coating

Seat

NBR

OTHER

Port Types and Sizes

Inlet:

Adapter: M16 x 1.5

Body: G 3/4"

Outlet: G 1 1/4"

Gauge: G 1/2"

Relief Valve: L12, DIN 3853 (M18 x 1.5 + cone)

Connections

See Part Number Selector

Weight

9.3 lbs / 4.2 kg



TESCOM Regulus 4 dual-stage pressure reducer, with an integrated relief valve, is extremely sensitive (mbar range) for gas purity up to 5.0.

Applications

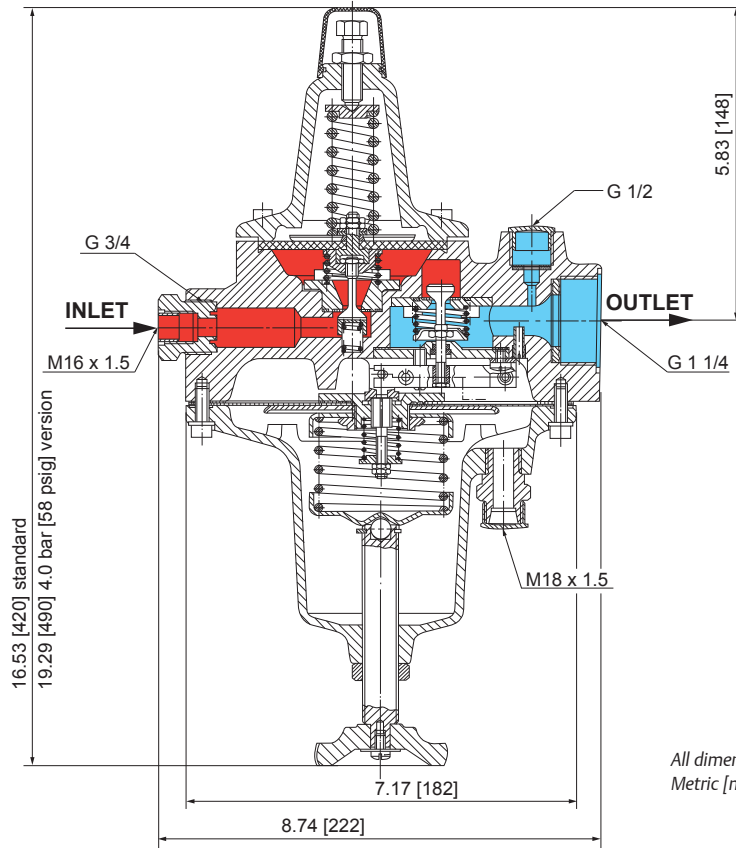
- Can be used as an in-line pressure reducer
- Suitable for non-corrosive gases
- Suitable for Oxygen service
- Commonly used in production testing

Features and Benefits

- Regulation in mbar range
- Dual-stage for constant outlet pressure
- Accurate pressure regulation
- High flow up to 1200 SLPM (air)
- Integrated relief valve

REGULUS 4

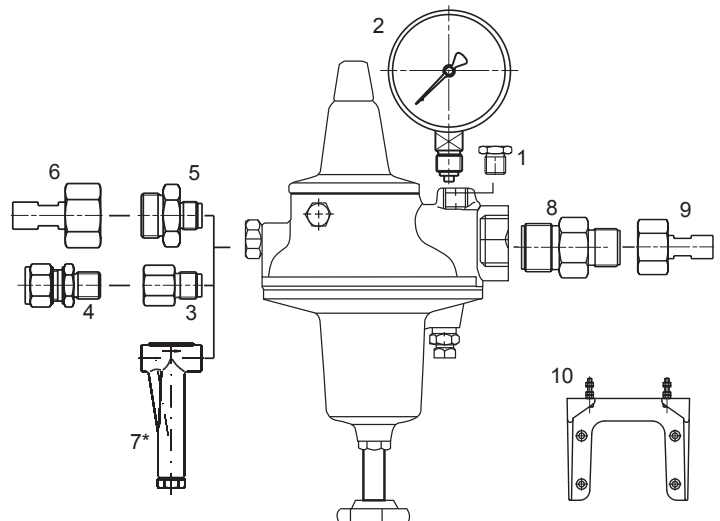
Regulus 4 Regulator Drawing



All dimensions are reference & nominal
Metric [millimeter] equivalents are in brackets

Accessories

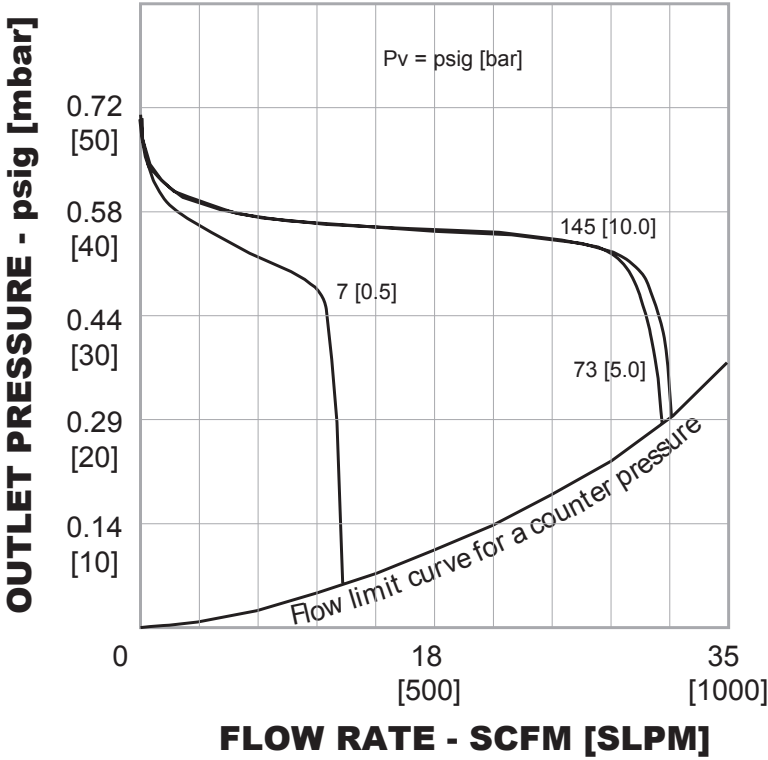
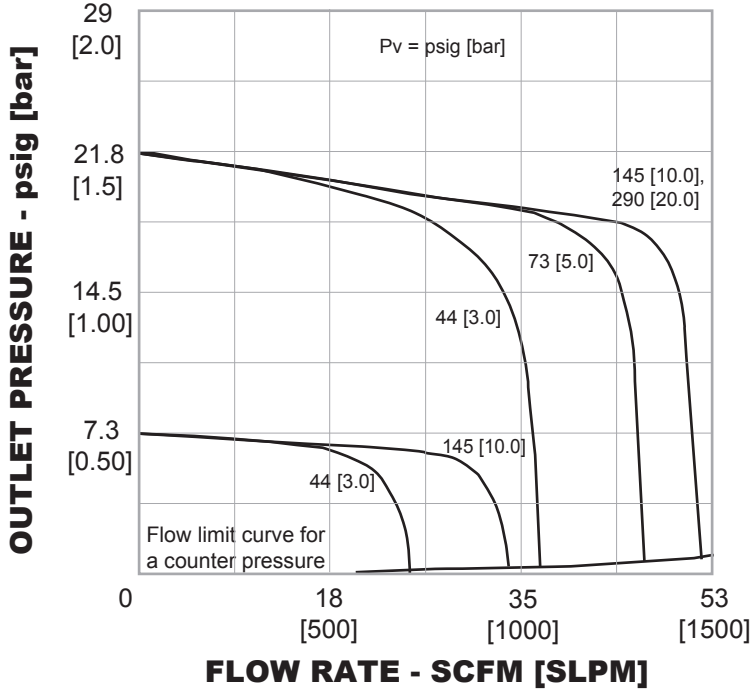
| Pos. | Part Number | Description |
|------|-------------|--|
| 1 | E08791 | Plug G 1/2" |
| 2 | 7232784 | Gauge Brass 100-60/50 mbar |
| 2 | 7232795 | Gauge Brass 100-60/50 mbar O ₂ |
| 2 | 7232786 | Gauge Brass 100-600/500 mbar |
| 2 | 7232797 | Gauge Brass 100-600/500 mbar O ₂ |
| 2 | 7232788 | Gauge Brass 100-2.5/1.5 bar |
| 2 | 7232799 | Gauge Brass 100-2.5/1.5 bar O ₂ |
| 2 | 7233081 | Gauge Brass 100-6/4 bar O ₂ |
| 3 | D10069 | Inlet connection M16 x 1.5-G 3/8" without filter |
| 4 | D40161 | Fitting Brass G 3/8"-8 mm |
| 4 | D40078 | Fitting Brass G 3/8"-10 mm |
| 4 | D40865 | Fitting Brass G 3/8"-12 mm |
| 4 | V01699 | Profile seal G 3/8" |
| 5 | D13462 | Inlet connection M16 x 1.5-G 1/2" |
| 6 | V03807 | Soldering connection G 3/4"-8mm |
| 6 | V04207 | Soldering connection G 3/4"-16mm |
| 6 | V04107 | Soldering connection G 3/4"-22mm |
| 6 | D07384 | Cu-profile seal G 3/4" |
| 7* | D51721-NFG | Filter |
| 7* | D51721-FG | Filter |
| 7* | D51721-O2 | Filter |
| 8 | D17292 | Adapter G 1 1/4"-G 1 1/4" |
| 9 | V09130 | Soldering connection G 1 1/4"-28 mm |
| 10 | D17873 | Wall mounting bracket |



*Remove inlet adapter if use of external filter D51721-XXX is required

Regulus 4 Flow Charts

For more information on how to read flow curves, please refer to the Flow Curves and Calculations document (debul2007x012) in the TESCOM catalog or on www.tescom.com.



REGULUS 4

Regulus 4 Part Number Selector

Repair Kits, Accessories & Modifications may be available for this product. Please contact TESCOM for more information.

Example for selecting a part number:

| D42320 | | - | 12 | - | 24 | - | M |
|---------------|------------------------------|---------------------------------|-----------|--|-----------|-------------------------------------|----------|
| BASIC SERIES | OUTLET PRESSURE RANGES | GAS | | OUTLET CONNECTIONS | | GAUGE | |
| D42300 | 0.07-0.73 psig / 5-50 mbar | 12 – Oxygen | | 00 – Without | | M – Gauge | |
| D42320 | 0.73-7.25 psig / 50-500 mbar | 15 – Non-flammable gases | | 24 – Adapter G 1 1/4" and soldering connection for tube Ø 28 mm | | --- – No gauge, with plug G 1/2" | |
| D42840 | 2.9-22 psig / 0.20-1.5 bar | 16 – Flammable gases | | | | | |
| D17880 | 14.5-58 psig / 1.00-4.0 bar | | | | | | |