

Quick exhaust valve



AVENTICS™ Quick exhaust valve



Quick exhaust valve

- material housing: aluminum
- Qn 1▶2 = 1700-11950 l/min
- Qn 2▶3 = 2500-13450 l/min



Version	Poppet valve
Working pressure min./max.	10.3 bar
Ambient temperature min./max.	-40 ... 71 °C
Medium temperature min./max.	-40 ... 71 °C
Medium	Compressed air

Technical data

Part No.	Port 1 Input	Port 2 Output	Compressed air connection pilot air	Flow rate value Qn 1▶2
R431003038	1/4" NPTF	1/4" NPTF	3/8 NPTF	1700 l/min
R431003043	1/4" NPTF	1/4" NPTF	3/8 NPTF	1700 l/min
R431003039	3/8 NPTF	3/8 NPTF	3/8 NPTF	2230 l/min
R431003044	3/8 NPTF	3/8 NPTF	3/8 NPTF	2230 l/min
R431003040	1/2 NPTF	1/2 NPTF	1/2 NPTF	5000 l/min
R431003041	3/4" NPTF	3/4" NPTF	3/4" NPTF	9700 l/min
R431003042	1" NPTF	1" NPTF	1" NPTF	11950 l/min

Part No.	Flow rate value Qn 2▶3	Fig.
R431003038	2500 l/min	Fig. 1
R431003043	2500 l/min	Fig. 2
R431003039	3080 l/min	Fig. 1
R431003044	3080 l/min	Fig. 2
R431003040	5500 l/min	Fig. 1
R431003041	10550 l/min	Fig. 1
R431003042	13450 l/min	Fig. 1

Sizes 1/2" through 1" have integral mounting brackets., Mounting bracket for 1/4" and 3/8" models: material no. R431003093

Technical information

Repair kits include diaphragm and gasket.

Dimensions

Dimensions in inches, QRV-Aluminum

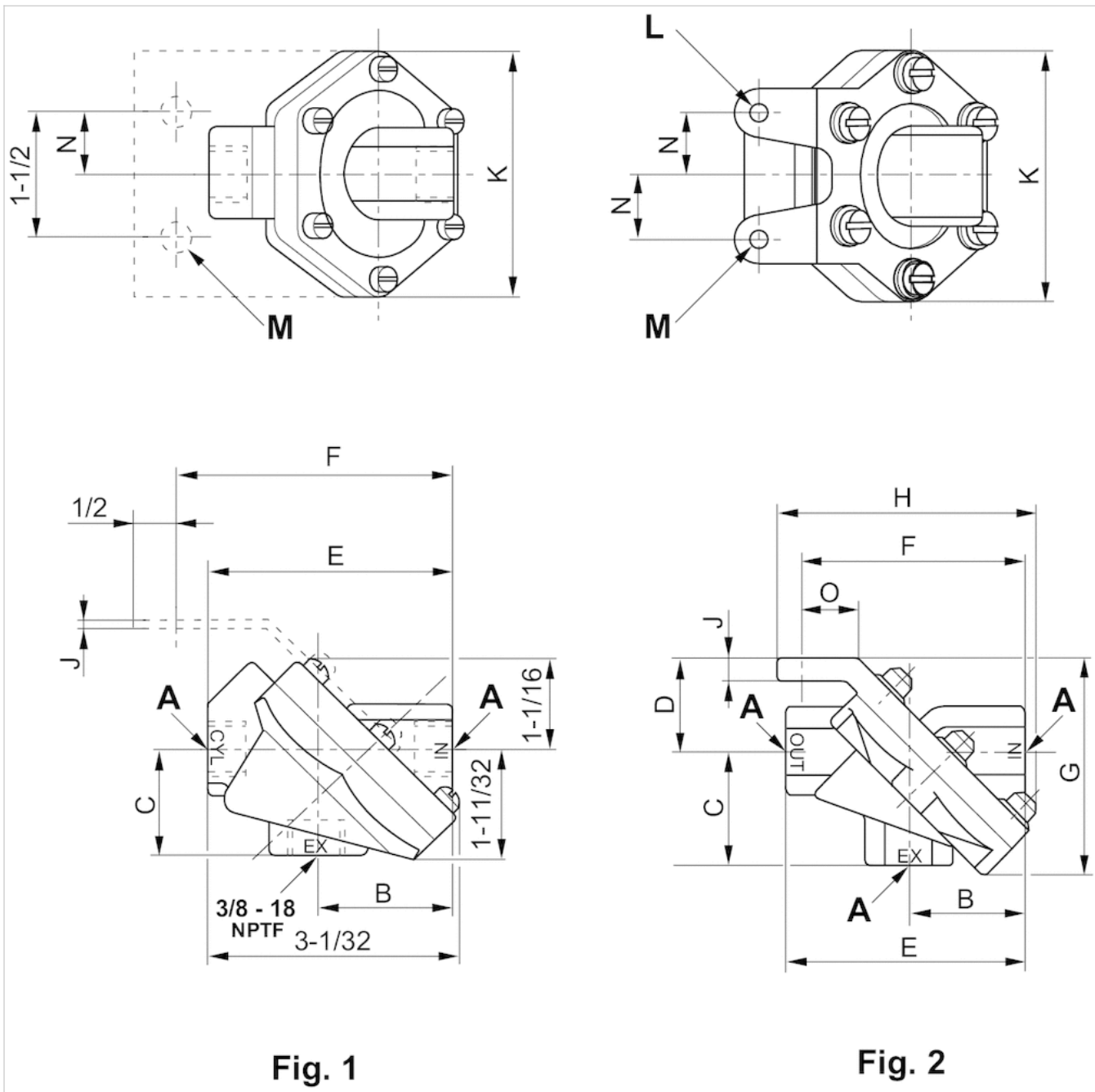


Fig. 1 Inline version

Fig. 2 Right angle version

Dimensions in inches

	A	B	C	D	E	F	G	H	J	K
Fig. 1	1/4 - 18	1 3/4	1 11/32	—	3	3 3/8	—	—	1/16	3
Fig. 1	3/8 - 14	1 3/4	1 11/32	—	3	3 3/8	—	—	1/16	3
Fig. 2	1/2 - 14	1 3/4	1 11/32	1 1/2	3 11/16	3 7/16	3 15/32	4 1/8	3/8	3 15/16
Fig. 2	3/4 - 14	2 11/16	2 21/32	2 1/16	5 1/4	5	4 13/16	5 1/2	7/16	6 1/2
Fig. 2	1" - 11 1/2	2 11/16	2 21/32	2 1/16	5 1/4	5	4 13/16	5 1/2	7/16	6 1/2

L	M (x2)	N	O
—	11/32 Ø	3/4	—
—	11/32 Ø	3/4	—
3/8 R	9/32 Ø	1	7/8
1/2 R	13/32 Ø	1 1/2	1 1/8
1/2 R	13/32 Ø	1 1/2	1 1/8

Quick exhaust valve

- Polymer body for corrosion resistance
- Qn 1→2 = 1540-2300 l/min
- Qn 2→3 = 1840-2760 l/min



Version	Poppet valve
Working pressure min./max.	10.3 bar
Ambient temperature min./max.	-29 ... 71 °C
Medium temperature min./max.	-29 ... 71 °C
Medium	Compressed air

Technical data

Part No.	Port 1 Input	Flow rate value Qn 1→2	Flow rate value Qn 2→3	Fig.
R431007444	1/4" NPTF	1540 l/min	1840 l/min	Fig. 1
R431007446	1/4" NPTF	1540 l/min	2760 l/min	Fig. 1
R434001677	1/4" NPTF	2300 l/min	2760 l/min	Fig. 1
R431007445	3/8 NPTF	2300 l/min	2760 l/min	Fig. 2
R431007447	3/8 NPTF	2300 l/min	2760 l/min	Fig. 2

Technical information

High exhaust flow capacity

Light weight for mounting in piping system

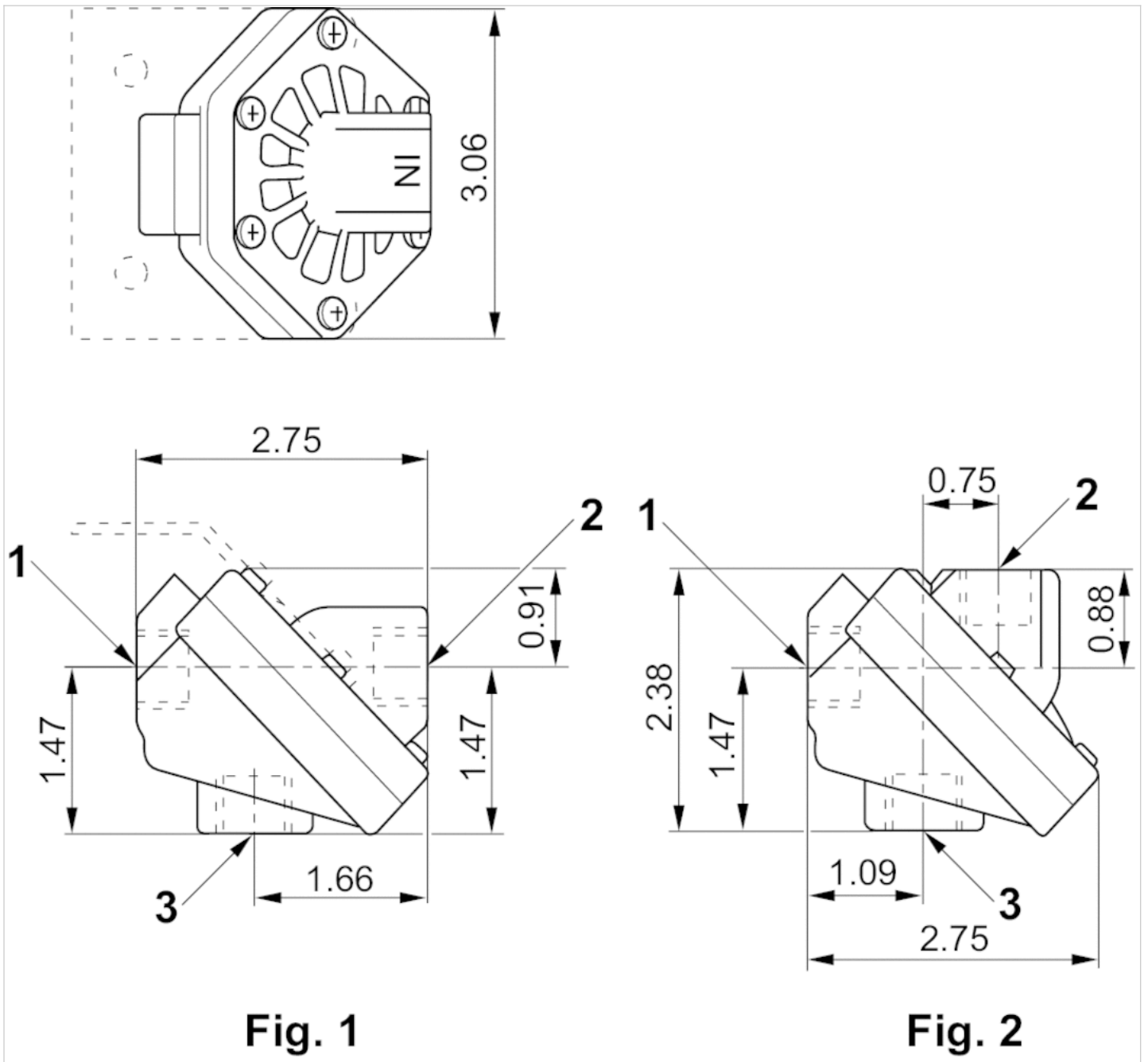
Polymer body for corrosion resistance

Special corrosion resistant version with stainless steel hardware available

The polymer quick exhaust valve is normally mounted directly in the piping. A mounting bracket (part no. R431003093) is an accessory if required.

Dimensions

Dimensions in inches, QRV-Polymer



- 1) OUT port
- 2) IN port = pressure supply
- 3) Exhaust 3/8" NPT

Fig. 1 Inline version

Fig. 2 Right angle version

If needed, a mounting bracket may be ordered separately.

Efficient pneumatic solutions, our program: cylinders and drives, valves and valve systems, air supply management



Visit us: Emerson.com/Aventics

Your local contact: Emerson.com/contactus



Emerson.com



Facebook.com/EmersonAutomationSolutions



LinkedIn.com/company/Emerson-Automation-Solutions



Twitter.com/EMR_Automation

An example configuration is depicted on the title page. The delivered product may thus vary from that in the illustration. Subject to change. This Document, as well as the data, specifications and other information set forth in it, are the exclusive property of AVENTICS GmbH. It may not be reproduced or given to third parties without its consent. Only use the AVENTICS products shown in industrial applications. Read the product documentation completely and carefully before using the product. Observe the applicable regulations and laws of the respective country. When integrating the product into applications, note the system manufacturer's specifications for safe use of the product. The data specified only serve to describe the product. No statements concerning a certain condition or suitability for a certain application can be derived from our information. The information given does not release the user from the obligation of own judgment and verification. It must be remembered that the products are subject to a natural process of wear and aging.

The Emerson logo is a trademark and service mark of Emerson Electric Co. Brand logotype are registered trademarks of one of the Emerson family of companies. All other marks are the property of their respective owners. © 2017 Emerson Electric Co. All rights reserved.
2019-03



CONSIDER IT SOLVED™