

# TESCOM™ PT-X Pressure Transducers

Accessories

Series  
PT-X

TESCOM Pressure Transducers are used in heavy duty applications requiring high accuracy and durability. The PT-X Series utilize diffused semiconductor and sputtered thin film strain gauge technology. Pressure ranges come in all the standard values from -15 psig to 15,000 psig / 1.0 to 1034 bar including absolute transducers to 300 psia / 20 bar. Higher pressure ranges available in some series models. Pressure Transducers offer full scale accuracies of 0.5%, 0.25%, and 0.125%.

## Applications

- Used with the TESCOM ER5000 Electropneumatic Controller
- Ideal for use in ER5000 applications where an external feedback signal is required

## Features and Benefits

- Provides extremely stable and repeatable hydraulic and pneumatic pressure measurements
- Suitable for a wide variety of industrial, laboratory, and test applications
- Provides significant immunity to noise due to RFI (walkie-talkie), EMC (electrical noise from motors), and ESD (static electricity generated in the application)<sup>(1)</sup>

## Specifications

For other materials or modifications, please consult TESCOM.

## Operating Parameters

**Full Scale Accuracy:**  $\pm 0.125\%$  /  $\pm 0.25\%$  /  $\pm 0.5\%$

**Ports:** 1/4" NPT / 1/2" NPT

**Connections:** 4-PIN Bayonet / DIN EN 175301-803 Form A / DIN EN 175301-803 Form C

**Output Signal:** 4-20 mA / 0-5 VDC / 0-10VDC

## Other

**Includes Mating Connector**

**Compensated Temperature Range:** 32°F to 176°F / 0°C to 80°C

Repeatability of  $\pm 0.05\%$  full scale

Response time is less than 1 ms

(1) Indicated by The CE marking, a requirement for sale in Europe



PT-01



PT-02

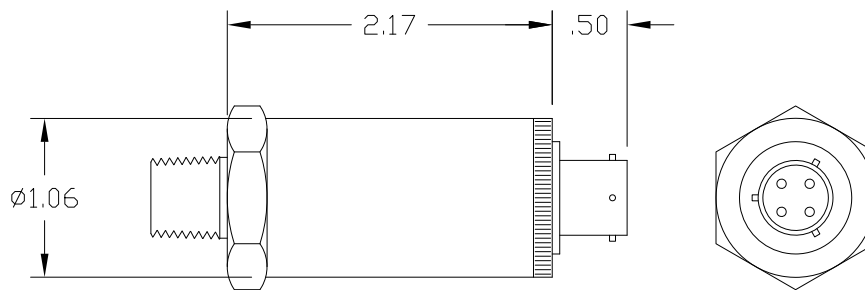
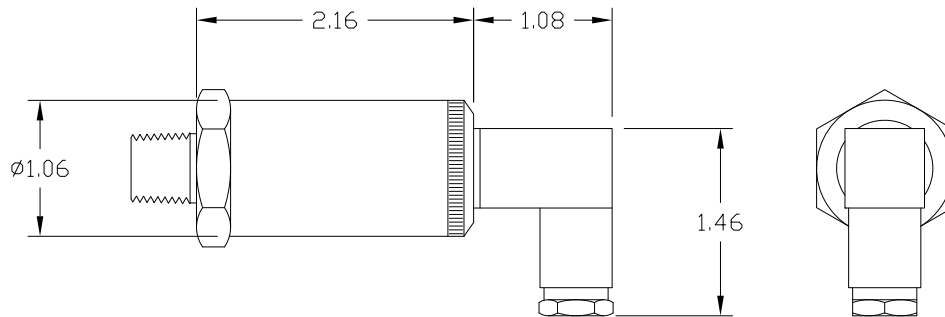
# TESCOM™ PT-X Pressure Transducers

Accessories

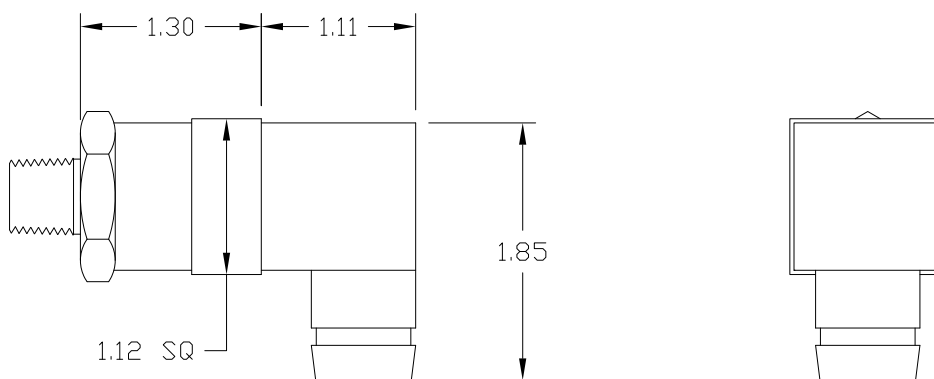
Series  
PT-X

Dimensions: mm

## PT-01



## PT-02



## PT Pressure Transducers Part Number Selector

Repair Kits, Accessories & Modifications may be available for this product.  
Please contact TESCOM for more information.

### Selection Guide

Basic Series	Sub Series	Accuracy	Output Signal	Process Connection	Electrical Connection	Pressure Range	Options
PT	01	A ±0.125%	1 4-20 mA, 2-WIRE	2 1/4 MNPT	2 4-PIN BAYONET	ZZZZ2G 0-2 psig	00 NONE
	02	B ±0.25%	2 0-5 VDC, 3-WIRE	6 1/4 HIGH PRESS FEMALE	7 DIN EN 175301-803 FORM C	ZZZZ5G 0-5 psig	NC NIST CERTIFICATION CL O2 CLEAN
C ±0.5%		5 0-10 VDC, 3-WIRE	8 1/2 MNPT	8 DIN EN 175301-803 FORM A A DIN EN 175301-803 FORM C W/36" CABLE	ZZZ60G 0-60 psig ZZ100G 0-100 psig ZZ150G 0-150 psig ZZ200G 0-200 psig ZZ300G 0-300 psig ZZ500G 0-500 psig ZZ600G 0-600 psig ZZ750G 0-750 psig Z1000G 0-1,000 psig Z1500G 0-1,500 psig Z2000G 0-2,000 psig Z3000G 0-3,000 psig Z4000G 0-4,000 psig Z5000G 0-5,000 psig Z6000G 0-6,000 psig 10000G 0-10,000 psig 15000G 0-15,000 psig ZZZ30V -15-30 psig ZZZ60A 0-60 psia ZZ300A 0-300 psia		

Availability, design and specifications are subject to change without notice.  
© 2024 Emerson Electric Co. All rights reserved.