

## Pneumatic pulse generator



AVENTICS™ Pneumatic pulse generator

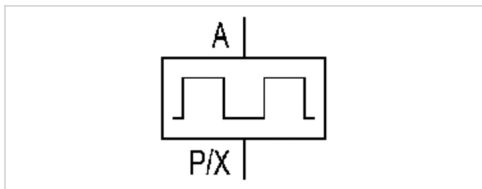


# Pneumatic pulse generator

- Qn = 50 l/min
- Pulse spacing 1 s
- Compressed air connection input M5



Working pressure min./max.	2 ... 6 bar
Control pressure min./max.	2 ... 6 bar
Ambient temperature min./max.	0 ... 60 °C
Medium temperature min./max.	0 ... 60 °C
Medium	Compressed air
Max. particle size	40 µm
Oil content of compressed air	0 ... 0.1 mg/m <sup>3</sup>
time deviation max.	-15%
Weight	0.177 kg



## Technical data

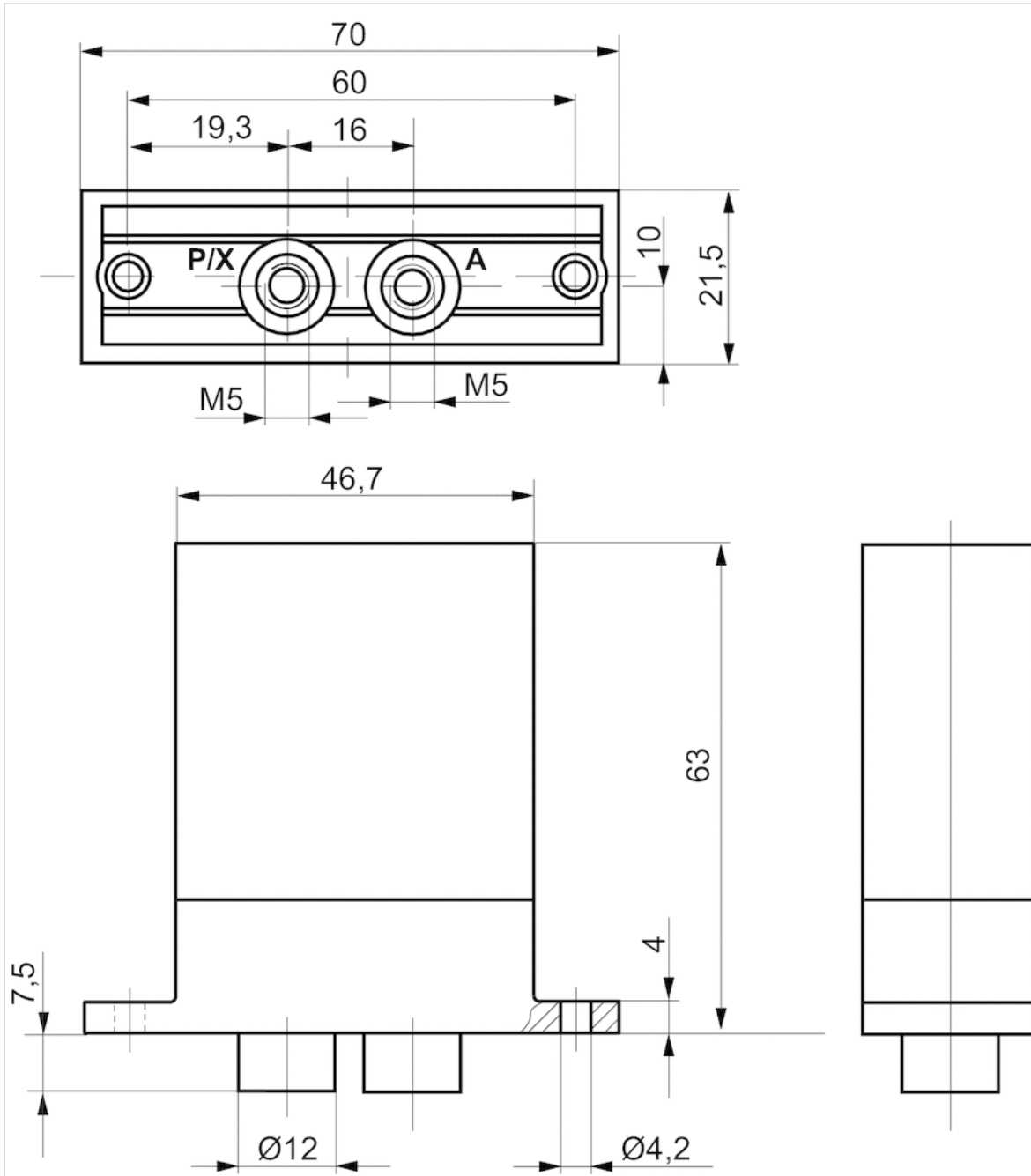
Part No.	Compressed air connection	Flow	Pulse spacing	runtime error
	Input	Qn		
0820215115	M5	50 l/min	1 s	±2,0

## Technical information

Notice: This product may only be operated with oil-free, dry compressed air.  
 The pressure dew point must be at least 15 °C under ambient and medium temperature and may not exceed 3 °C .  
 The max. time deviation applies to the first time unit.

# Dimensions

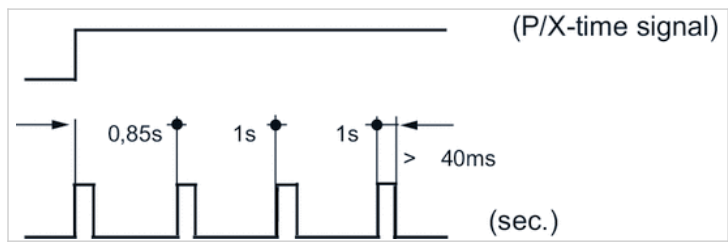
## Dimensions



P/X = Input  
A = connection output

## Diagrams

### Function sequence



P/X time signal = P/X time signal

sec. = pulse duration 1 second

When air is supplied to the P/X inlet, the pulse generator starts up and starts sending one compressed air pulse per second or per minute.

# Efficient pneumatic solutions, our program: cylinders and drives, valves and valve systems, air supply management



Visit us: [Emerson.com/Aventics](http://Emerson.com/Aventics)

Your local contact: [Emerson.com/contactus](http://Emerson.com/contactus)



Emerson.com



[Facebook.com/EmersonAutomationSolutions](https://www.facebook.com/EmersonAutomationSolutions)



[LinkedIn.com/company/Emerson-Automation-Solutions](https://www.linkedin.com/company/Emerson-Automation-Solutions)



[Twitter.com/EMR\\_Automation](https://twitter.com/EMR_Automation)

An example configuration is depicted on the title page. The delivered product may thus vary from that in the illustration. Subject to change. This Document, as well as the data, specifications and other information set forth in it, are the exclusive property of AVENTICS GmbH. It may not be reproduced or given to third parties without its consent. Only use the AVENTICS products shown in industrial applications. Read the product documentation completely and carefully before using the product. Observe the applicable regulations and laws of the respective country. When integrating the product into applications, note the system manufacturer's specifications for safe use of the product. The data specified only serve to describe the product. No statements concerning a certain condition or suitability for a certain application can be derived from our information. The information given does not release the user from the obligation of own judgment and verification. It must be remembered that the products are subject to a natural process of wear and aging.

The Emerson logo is a trademark and service mark of Emerson Electric Co. Brand logotype are registered trademarks of one of the Emerson family of companies. All other marks are the property of their respective owners. © 2017 Emerson Electric Co. All rights reserved.  
2019-03



## CONSIDER IT SOLVED™