

ASCO™ Accessories Valves

Performance Exhaust Protector, 1/4" to 2" Threaded

Series
888

Features & Benefits

- Series 888 Performance Exhaust Protectors "PEP" is a robust design, intended to survive being stood on or run into, while offering an optimal flow capacity and protection against ingress of debris and dust into the instrumentation port
- Intended for use with instrument air and compatible gases
- The filtration is 100 microns and material used is 316 stainless steel

General

Operating pressure 0 to 16 bar ⁽¹⁾ [1 bar = 100 kPa]
Ambient temperature range -60°C to +90°C

fluids (*)	temperature range (TS)	seal materials (*)
clean dry air or dry inert gas	-60°C to +90°C	NBR (nitrile)

Materials in contact with fluid

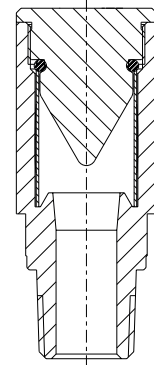
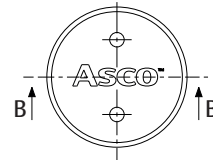
(*) Ensure that the compatibility of the fluids in contact with the materials is verified

Body Stainless steel AISI 316L
Mesh Stainless steel AISI 316
Seal NBR

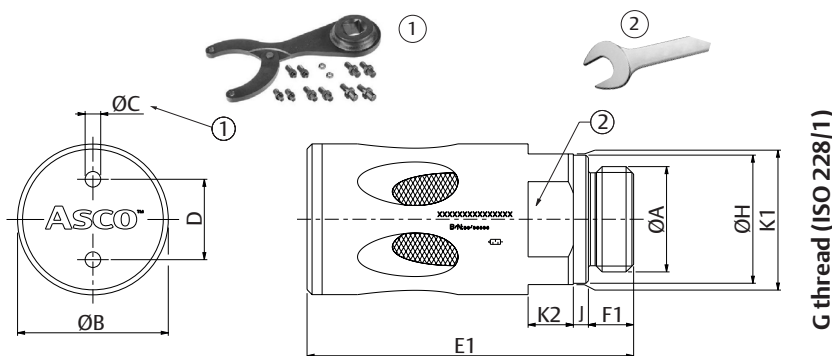
Specifications

pipe size	G (ISO 228/1)	E (ISO 7/1)	NPT	Cv	Kv	
	Catalog number				(m ³ /h)	(l/min)
1/4"	G888A11210A0000	E888A11210A0000	8888A11210A0000	3.0	2.6	43
3/8"	G888A11310A0000	E888A11310A0000	8888A11310A0000	4.4	3.8	64
1/2"	G888A11410A0000	E888A11410A0000	8888A11410A0000	7.8	6.8	113
3/4"	G888A11510A0000	E888A11510A0000	8888A11510A0000	13.5	11.6	194
1"	G888A11610A0000	E888A11610A0000	8888A11610A0000	28.2	24.4	407
1" 1/2" ⁽¹⁾	G888A11710A0000	E888A11710A0000	8888A11710A0000	65.0	57.0	944
2" ⁽¹⁾	G888A11810A0000	E888A11810A0000	8888A11810A0000	138.0	119.0	1987

⁽¹⁾ Version 1" 1/2 and 2" available on special request and max. 10 bar.



Dimensions (mm), Weight (kg)

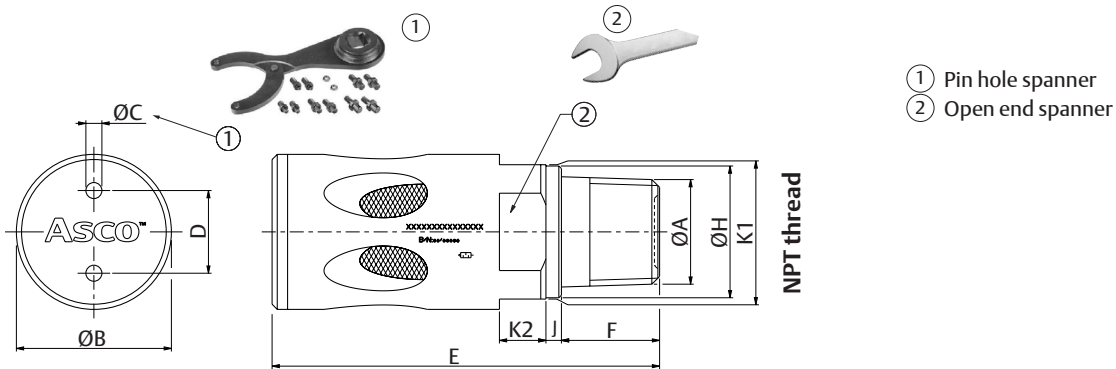


- ① Pin hole spanner
- ② Open end spanner

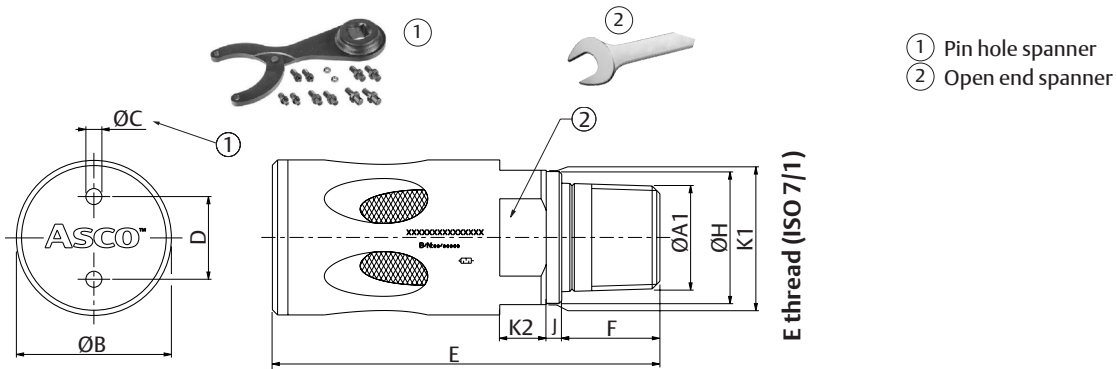
Catalog number	ØA (ISO 228/1)	ØB	① ØC	① D	E1	F1	ØH	J	②		weight (kg)
									K1	K2	
G888A11210A0000	G 1/4"	18	2 x 2.6	8	43	6.5	18	2	14	6	0.07
G888A11310A0000	G 3/8"	25	2 x 2.6	14	53	7.5	21	2.5	21	8	0.14
G888A11410A0000	G 1/2"	30	2 x 3.1	16	65	9	25.5	3	26	9	0.22
G888A11510A0000	G 3/4"	45	2 x 4.1	24	86.5	10.5	32	3	38	14	0.67
G888A11610A0000	G 1"	55	2 x 6.1	32	106.5	11.5	38	3	46	14	1.20
G888A11710A0000	G 1" 1/2	80	2 x 8.1	48	143.5	17.5	55	3	70	20	3.2
G888A11810A0000	G 2"	110	2 x 10.1	70	189.5	19.5	67	3.5	100	28	8.0

80486GB-2021/R01

Dimensions (mm), Weight (kg)



- ① Pin hole spanner
- ② Open end spanner



- ① Pin hole spanner
- ② Open end spanner

Catalog number	ØA (NPT) (ISO 7/1)	ØB	① ØC	① D	E (NPT) (ISO 7/1)	F (NPT) (ISO 7/1)	ØH	J	②		weight
									K1	K2	
8888A11210A0000	NPT 1/4"	18	2 x 2.6	8	61.5	15	18	2	14	6	0.07
E888A11210A0000	E 1/4"										
8888A11310A0000	NPT 3/8"	25	2 x 2.6	14	60.5	15	21	2.5	21	8	0.14
E888A11310A0000	E 3/8"										
8888A11410A0000	NPT 1/2"	30	2 x 3.1	16	75	19	25.5	3	26	9	0.22
E888A11410A0000	E 1/2"										
8888A11510A0000	NPT 3/4"	45	2 x 4.1	24	95	19	32	3	38	14	0.67
E888A11510A0000	E 3/4"										
8888A11610A0000	NPT 1"	55	2 x 6.1	32	118	23	38	3	46	14	1.20
E888A11610A0000	E 1"										
8888A11710A0000	NPT 1 1/2"	80	2 x 8.1	48	151	25	55	3	70	20	3.2
E888A11710A0000	E 1 1/2"										
8888A11810A0000	NPT 2"	110	2 x 10.1	70	195	25	67	3.5	100	28	8.0
E888A11810A0000	E 2"										

Availability, design and specifications are subject to change without notice. All rights reserved.
80486GB-2021/R01