

Numatics™ Lockout Valve Series

Numatics™ Lockout and Shut Off Valves



Lockout valves prevent unauthorized pressurization of an air system during service or maintenance. Numatics lockout valves employ a unique, one piece center spool design that accommodates a user-supplied padlock in the closed position. When locked in the closed position, the system controlled by the lockout valve cannot be operated until the padlock is removed. Numatics lockout valves are available in several different designs, including standard manual full flow quick exhaust (VL Series).

VL Series Lockout Valves

Recommended use:

Install the lockout Valve downstream of FRL assembly or selected air preparation components so its exhaust capacity is not restricted by any upstream components.

Features:

- VL Series: Standard Manual Lockout Valve
- Emergency shut off – Full flow quick exhaust of downstream pressure
- Meets OSHA specifications
- Bright Yellow body with Red knob is easily identified as a lockout device
- Integrated hole in valve spool for
- Robust heavy duty construction

Numatics™ Lockout Valve Series

VL32 Standard Series

- High exhaust capability
- Detented spool
- Low-friction startup
- Meets OSHA specifications
- Surface mountable
- Modular adaptable to 32 series FRL assemblies
- Yellow body with red knob

Specifications

Temperature Range: 40° F to 120° F (4° C to 50° C)

Maximum Pressure: 150 PSIG (10 bar)

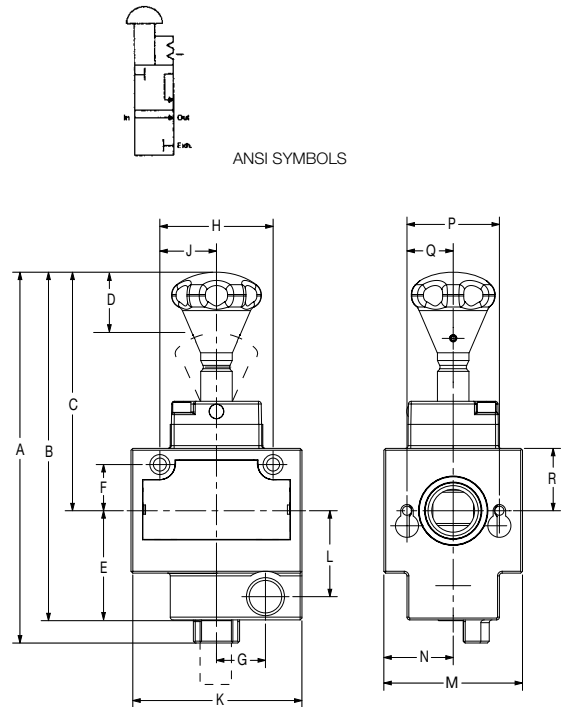
Flow Media: Filtered air

Body Material: Aluminum

Weight: VL32 Series: 2.70 lbs (1.23 kg)

Cv Ratings

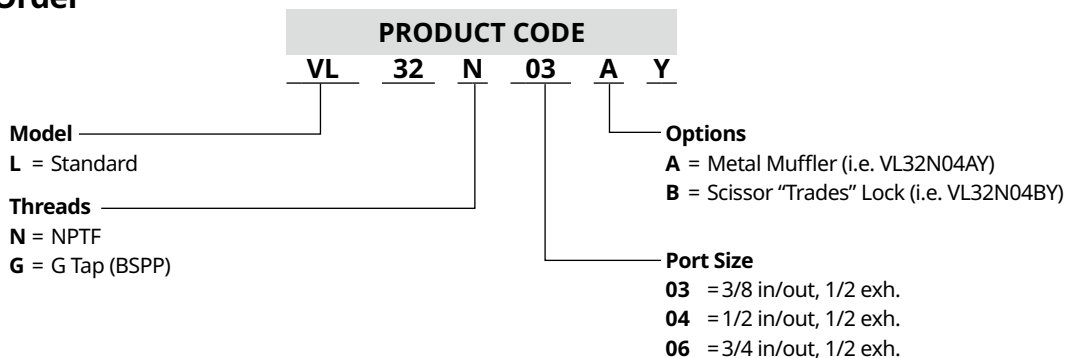
Model Number	Cv In-Out	Cv Out-Exh
VL32N03Y	5.0	5.5
VL32N04Y	6.0	6.0
VL32N06Y	8.3	6.0



Dimensions: Inches (mm)

Model	A	B	C	D	E	F	G	H
VL32	8.03 (204.0)	7.55 (191.8)	5.17 (131.3)	.960 (24.4)	2.36 (59.9)	1.0 (25.4)	1.06 (26.9)	8.03 (62.2)
Model	J	K	L	M	N	P	Q	R
VL32	1.225 (31.1)	3.66 (93.0)	1.86 (47.2)	3.00 (76.2)	1.50 (38.1)	2.00 (50.8)	1.00 (25.4)	1.350 (34.3)

How To Order



Numatics™ Lockout Valve Series

VL40 Standard Series

- High exhaust capability
- Detented spool
- Low-friction startup
- Meets OSHA specifications
- Surface mountable
- Yellow body with red knob

Specifications

Temperature Range: 40° F to 120° F (4° C to 50° C)

Maximum Pressure: 150 PSIG (10 bar)

Flow Media: Filtered air

Body Material: Aluminum

Weight: VL40 Series: 4.40 lbs (2.00 kg)

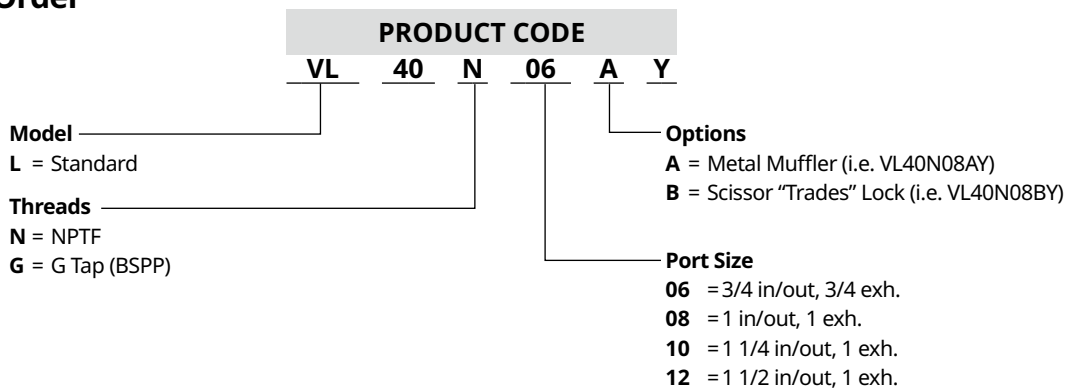
Cv Ratings

Model Number	Cv In-Out	Cv Out-Exh
VL40N06Y	13.5	11.0
VL40N08Y	18.2	14.9
VL40N10Y	19.1	14.9
VL40N12Y	20.3	16.3

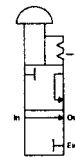
Dimensions: Inches (mm)

Model	A	B	C	D	E	F	G
VL40	9.75 (247.7)	9.27 (235.5)	6.12 (155.4)	1.30 (33)	3.13 (79.5)	1.50 (38.1)	1.62 (41.3)
Model	H	J	K	L	M		
VL40	3.25 (82.6)	4.76 (120.9)	1.50 (38.1)	2.50 (63.5)	1.09 (27.7)		

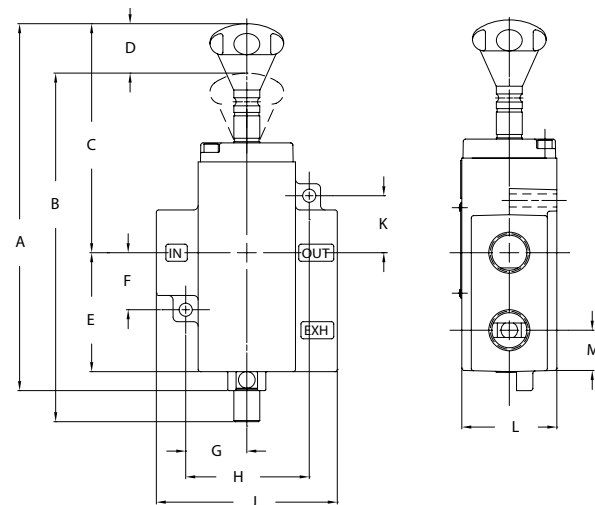
How To Order



VL Series



ANSI SYMBOLS



Numatics™ Lockout Valve Series

VL42 Standard Series

- High exhaust capability
- Detented spool
- Low-friction startup
- Meets OSHA specifications
- Surface mountable
- Modular adaptable to 42 series FRL assemblies
- Yellow body with red knob

Specifications

Temperature Range: 40° F to 120° F (4° C to 50° C)

Maximum Pressure: 250 PSIG (17 bar)

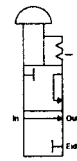
Flow Media: Filtered air

Body Material: Aluminum

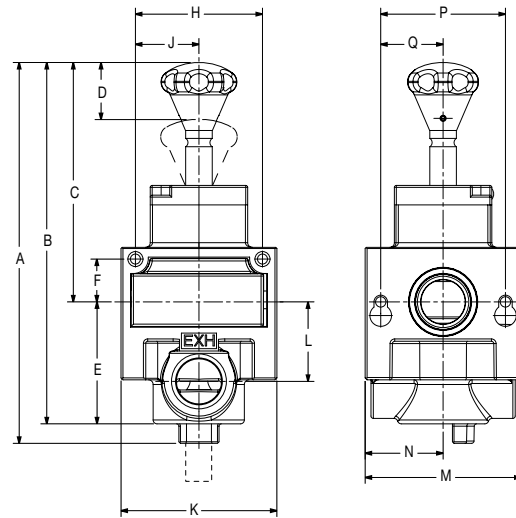
Weight: VL42 Series: 4.95 lbs (2.25 kg)

Cv Ratings

Model Number	Cv In-Out	Cv Out-Exh
VL42N06Y	11.5	9.0
VL42N08Y	12.5	10.0



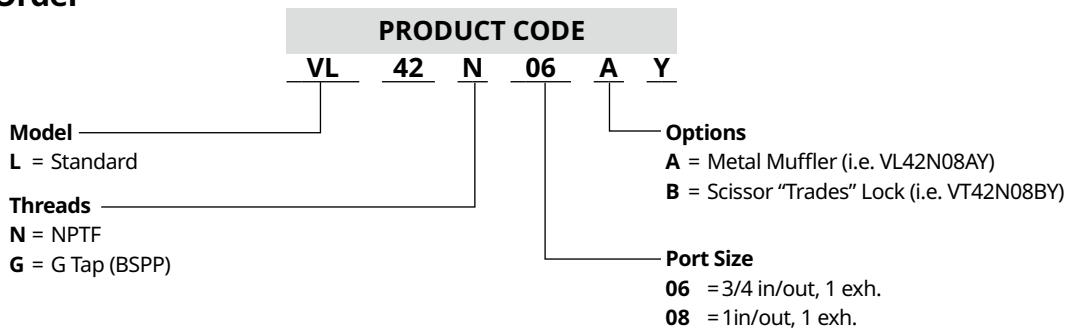
ANSI SYMBOLS



Dimensions: Inches (mm)

Model	A	B	C	D	E	F	G	J
VL42	9.78 (248.4)	9.28 (235.7)	6.1 (154.9)	1.34 (34.0)	3.13 (80.0)	1.10 (28.0)	3.26 (63.5)	1.63 (41.0)
Model	K	L	M	N	P	Q		
VL42	4.00 (102.0)	2.04 (52.0)	4.00 (102.0)	2.00 (51.0)	3.20 (81.0)	1.60 (41.0)		

How To Order



Numatics™ Lockout Valve Series

VL52 Standard Series

- High flow
- High exhaust capability
- Detented spool
- Meets OSHA specifications
- Surface mountable
- Yellow body with red knob

Specifications

Temperature Range: 40° F to 120° F (4° C to 50° C)

Maximum Pressure: 150 PSIG (10 bar)

Flow Media: Filtered air

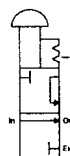
Body Material: Aluminum

Weight: VL52 Series: 4.125 lbs (1.87 kg)

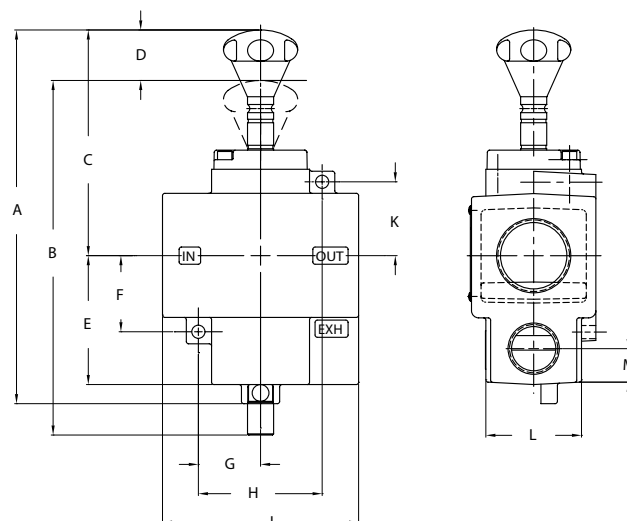
Cv Ratings

Model Number	Cv In-Out	Cv Out-Exh
VL52N12Y	24	16
VL52N16Y	24	16

VL Series



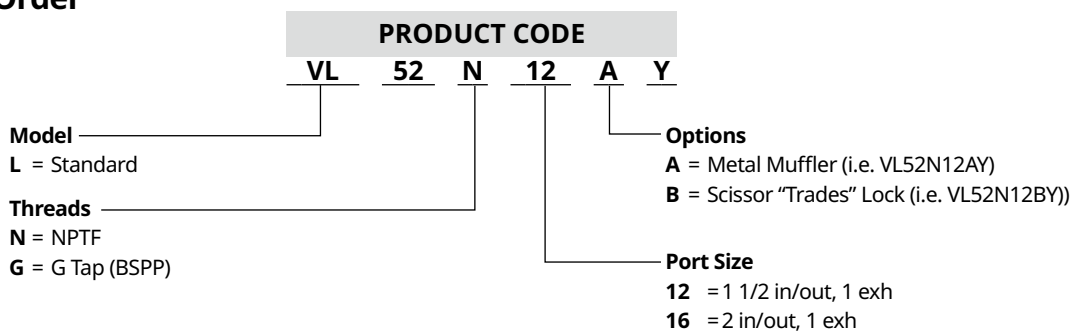
ANSI SYMBOLS



Dimensions: Inches (mm)

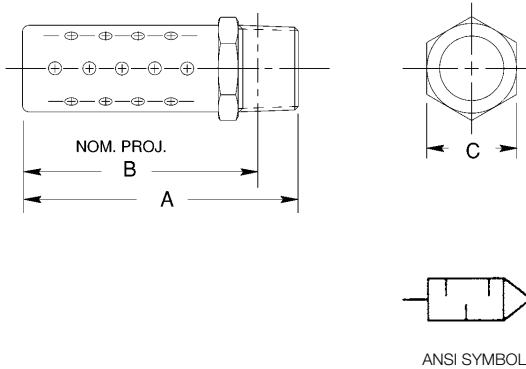
Model	A	B	C	D	E	F	G
VL52	9.77 (248.2)	9.27 (235.5)	5.90 (149.9)	1.32 (33.5)	3.38 (85.9)	2.00 (50.8)	1.63 (41.4)
Model	H	J	K	L	M		
VL52	3.24 (82.6)	5.13 (120.9)	1.92 (38.1)	2.50 (63.5)	0.88 (27.7)		

How To Order



Numatics™ Lockout Valve Series

M Series Metal Air Silencers



Dimensions: Inches (mm)

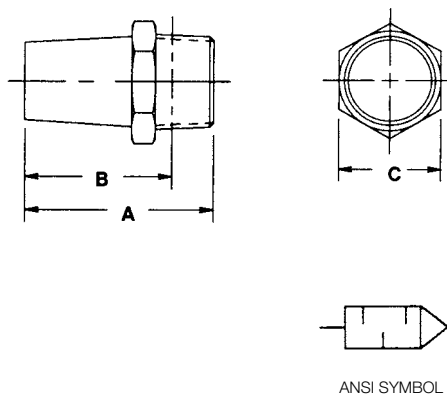
NPTF Male Dimensions

Model	NPTF	A	B	C	CV
M1MN	1/8	1.38 (34.9)	1.22 (31.0)	0.44 (11.1)	1.17
M2MN	1/4	1.75 (44.5)	1.53 (38.9)	0.56 (14.3)	2.54
M3MN	3/8	2.25 (57.2)	2.00 (50.8)	0.69 (17.5)	5.08
M4MN	1/2	2.72 (69.1)	2.41 (61.1)	0.88 (22.2)	7.32
M5MN	3/4	3.16 (80.2)	2.81 (71.4)	1.06 (27.0)	13.87
M6MN	1	3.88 (98.4)	3.47 (88.1)	1.31 (33.3)	19.53
M7MN	1 1/4	4.50 (114.3)	4.16 (105.6)	1.69 (42.9)	28.32
M8MN	1 1/2	5.00 (127.0)	4.59 (116.7)	2.00 (50.8)	38.09
M9MN	2	5.50 (139.7)	5.06 (128.6)	2.38 (60.3)	52.73

BSPT Male Dimensions

Model	BSPT	A	B	C	CV
M1MB	1/8	1.38 (34.9)	1.22 (31.0)	0.44 (11.1)	1.17
M2MB	1/4	1.75 (44.5)	1.53 (38.9)	0.56 (14.3)	2.54
M3MB	3/8	2.25 (57.2)	2.00 (50.8)	0.69 (17.5)	5.08
M4MB	1/2	2.72 (69.1)	2.41 (61.1)	0.88 (22.2)	7.32
M5MB	3/4	3.16 (80.2)	2.81 (71.4)	1.06 (27.0)	13.87
M6MB	1	3.88 (98.4)	3.47 (88.1)	1.31 (33.3)	19.53

P Series Porous Bronze Air Silencers



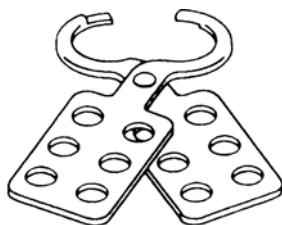
NPTF Male Dimensions

Model	NPTF	A	B	C	CV
P0MN	10-32	0.75 (19.1)	0.62 (15.7)	0.38 (9.5)	0.23
P1MN	1/8	0.84 (21.4)	0.69 (17.5)	0.44 (11.1)	1.07
P2MN	1/4	1.20 (30.6)	0.97 (24.6)	0.56 (14.3)	1.78
P3MN	3/8	1.45 (36.7)	1.20 (30.6)	0.69 (17.5)	2.30
P4MN	1/2	1.89 (48.0)	1.58 (40.1)	0.88 (22.2)	5.66
P5MN	3/4	2.12 (54.0)	1.78 (45.2)	1.06 (27.0)	9.67
P6MN	1	2.84 (72.2)	2.44 (61.9)	1.31 (33.3)	14.06
P7MN	1 1/4	3.44 (87.3)	3.00 (76.2)	1.69 (42.9)	20.51
P8MN	1 1/2	4.00 (101.6)	3.56 (90.5)	2.00 (50.8)	29.10
P9MN	2	4.75 (120.7)	4.31 (109.5)	2.38 (60.3)	44.92

BSPT Male Dimensions

Model	BSPT	A	B	C	CV
P1MB	1/8	0.84 (21.3)	0.69 (17.5)	0.44 (11.1)	1.07
P2MB	1/4	1.20 (30.5)	0.97 (24.6)	0.56 (14.3)	1.78
P3MB	3/8	1.45 (36.8)	1.20 (30.5)	0.69 (17.5)	2.30
P4MB	1/2	1.89 (48.0)	1.58 (40.1)	0.88 (22.2)	5.66
P5MB	3/4	2.12 (53.9)	1.78 (45.2)	1.06 (27.0)	9.67
P6MB	1	2.84 (72.1)	2.44 (62.0)	1.31 (33.3)	14.06

Scissor "Trades" Lock



The Scissor or "Trades" Lock clips into the lockout valve and can be locked with up to six locks, allowing maximum security.

Model
VB-1