



**50 Series
High Flow FRL Series**

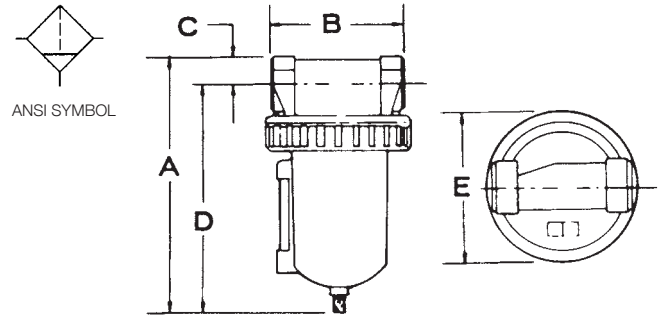
- High Flow
- High Pressure
- 1/4 to 1 1/2 NPTF & G Port Sizes - Regulators
- 1/4 to 2 1/2 NPTF & G Port Sizes - Pilot Regulators
- 3/4 to 1 1/2 NPTF & G Port Sizes - Filters and Lubricators
- T-Handle Adjustment Regulator
- Rugged Design
- Metal Bowls with Sight Glass
- FRL Assemblies Available

F50B Series

- Metal bowl with sight glass standard
- Manual or automatic drain

Specifications

Temperature Range °F (°C)	40-150 (4-65)
Max. Pressure PSIG (BAR)	250 (17.2)
3/4 & 1 Weight, lbs. (kg.)	6.3 (2.9)
1 & 1 1/2 Weight, lbs. (kg.)	7.0 (3.2)



Dimensions: Inches (mm)

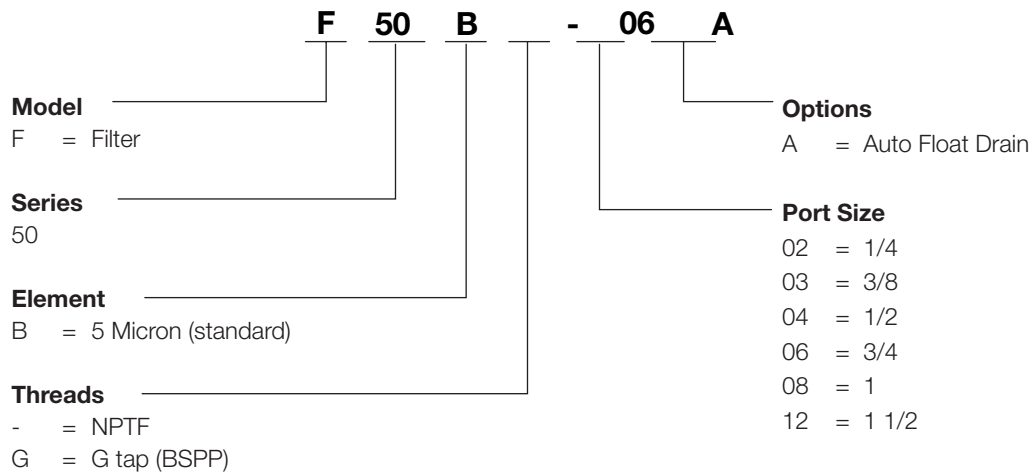
Size	A	B	C	D	E
3/4 & 1	8.81 (224.0)	4.56 (116.0)	1.94 (24.0)	7.88 (200.0)	4.97 (126.0)
1 1/2	9.53 (242.0)	5.19 (132.0)	1.28 (33.0)	8.25 (210.0)	4.97 (126.0)

Flow Ratings

Model	Micron Rating	Pipe Size	Bowl Size	SCFM
F50B-06	5	3/4	16 oz.	186
F50B-08	5	1	16 oz.	260
F50B-12	5	1 1/2	16 oz.	275

* Flow rates based on 100 PSIG inlet and a 5 PSID.

How To Order



R50 Series

- Diaphragm-operated regulator
- T-handle standard
- Standard output pressure 0-125 PSIG

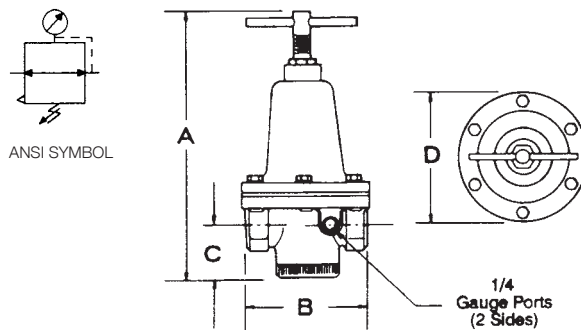
Specifications

Temperature Range °F (°C)	40-120 (4-46.9)
Max. Pressure PSIG (BAR)	300 (20.7)
1/4 & 3/8 Weight, lbs. (kg.)	1.8 (0.81)
1/2 Weight, lbs. (kg)	2.8 (1.27)
3/4 & 1 Weight, lbs. (kg.)	6.2 (2.8)
1 & 1 1/2 Weight, lbs. (kg.)	7.2 (3.3)

Flow Ratings

Model	Pipe Size	SCFM* @ Reduced Pressure of		
		25 PSIG	60 PSIG	80 PSIG
R50R-02	1/4	60	80	90
R50R-03	3/8	70	90	100
R50R-04	1/2	160	180	200
R50R-06	3/4	370	385	395
R50R-08	1	370	385	395
R50R-12	1 1/2	370	385	395

* Flow rates based on 100 PSIG inlet and 25% PSID.



Dimensions: Inches (mm)

Size	A	B	C	D
1/4 & 3/8	6.19 (157.0)	2.75 (70.0)	1.38 (35.0)	3.0 (76.0)
1/2	6.75 (171.0)	3.75 (83.0)	1.47 (37.0)	3.56 (90.0)
3/4 & 1	8.81 (224.0)	4.56 (116.0)	1.94 (24.0)	7.88 (200.0)
1 1/2	9.53 (242.0)	5.19 (132.0)	1.28 (33.0)	8.25 (210.0)

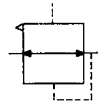
How To Order

R 50 R - 04 G

Model		Options	
R = Regulator		G = Gauge	
Series		H = 0-250 Regulator Output	
50		Port Size	
Style		02 = 1/4	
R = Relieving (standard)		03 = 3/8 (only available in NPTF)	
N = Non-Relieving		04 = 1/2	
Threads		06 = 3/4	
- = NPTF		08 = 1	
G = G tap (BSPP)		12 = 1 1/2	

R50W Series

- High flow
- Reduced pressure within 5-7 PSIG of pilot pressure
- Relieving or non-relieving models

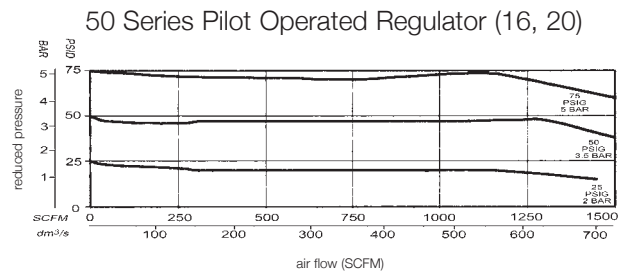
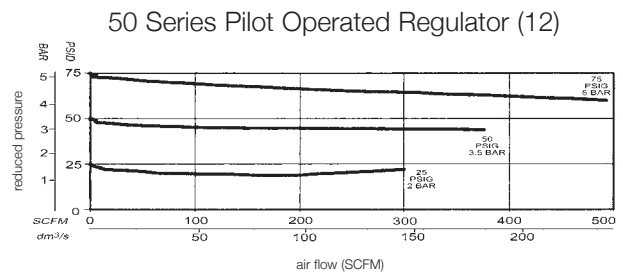
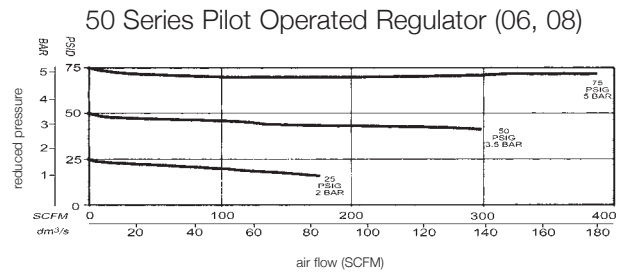
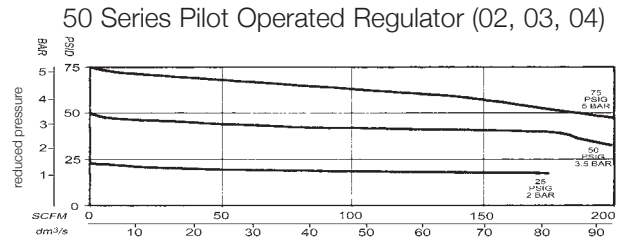


ANSI SYMBOL

Specifications

Temperature Range °F (°C)	40-120 (4-50)
Min. Pilot Pressure PSIG (BAR)	7 (0.5)
Max. Pilot Pressure PSIG (BAR)	300 (20)
Max. Supply Pressure PSIG (BAR)	300 (20)
1/4 & 3/8 Weight, lbs. (kg.)	1.6 (0.72)
1/2 Weight, lbs. (kg.)	2.6 (1.1)
3/4 & 1 Weight, lbs. (kg.)	5.2 (2.4)
1 & 1 1/2 Weight, lbs. (kg.)	5.6 (2.5)
2 & 2 1/2 Weight, lbs. (kg.)	15 (6.8)

Flow Rates (all flows based on 100 PSI inlet)



How To Order

Model _____
 R = Regulator

Series _____
 50

Style _____
 W = All Pilot Operated Regulators

Threads _____
 - = NPTF
 G = G tap (BSPP)

Options

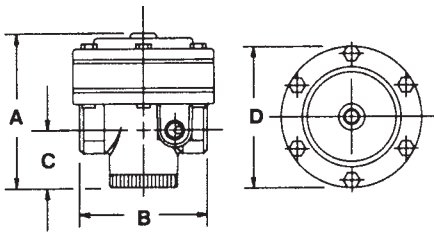
G = Gauge (0-160 PSIG)
 N = Non-Relieving
 (not available in 2 or 2 1/2 models)

Port Size

02 = 1/4
 03 = 3/8
 04 = 1/2
 06 = 3/4
 08 = 1
 12 = 1 1/2
 16 = 2
 20 = 2 1/2

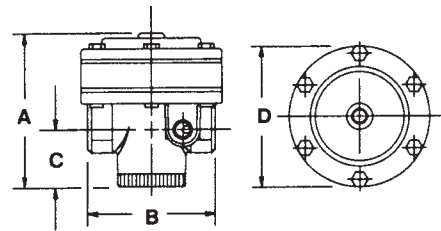
Dimensions: Inches (mm)

50 Series Pilot Operated Regulator (02, 03, 04)



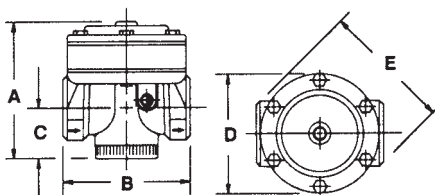
Size	A	B	C	D
1/4 & 3/8	3.38 (86.0)	2.75 (70.0)	1.38 (35.0)	3.0 (76.0)
1/2	3.88 (98.0)	3.25 (83.0)	1.47 (37.0)	3.56 (90.0)

50 Series Pilot Operated Regulator (06, 08)



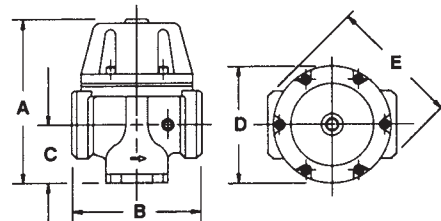
Size	A	B	C	D
3/4 & 1	4.84 (123.0)	4.44 (113.0)	1.93 (49.0)	4.68 (119.0)

50 Series Pilot Operated Regulator (12)



Size	A	B	C	D	E
1 1/2	5.20 (132.0)	4.93 (125.0)	1.88 (48.0)	4.68 (119.0)	5.55 (141.0)

50 Series Pilot Operated Regulator (16, 20)



Size	A	B	C	D	E
2 & 2 1/2	8.88 (225.0)	7.31 (186.0)	3.09 (78.0)	6.63 (168.0)	8.0 (203.0)

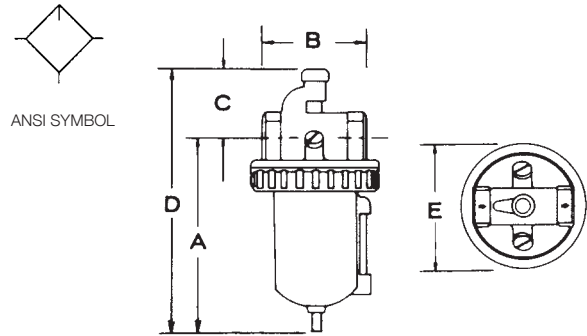
*Pilot ports for all models are 1/4.

L50 Series

- High flow
- Numerical adjustment

Specifications

	Std. (Lub.)	with "J" Option
Temperature Range °F (°C)	40-150 (4-65)	40-120 (4-50)
Max. Pressure PSIG (BAR)	250 (17.2)	150 (10.3)
3/4 & 1 Weight, lbs. (kg.)	4.2 (1.9)	7.2 (3.3)
1 & 1 1/2 Weight, lbs. (kg.)	7.5 (3.4)	10 (4.5)



Dimensions: Inches (mm)

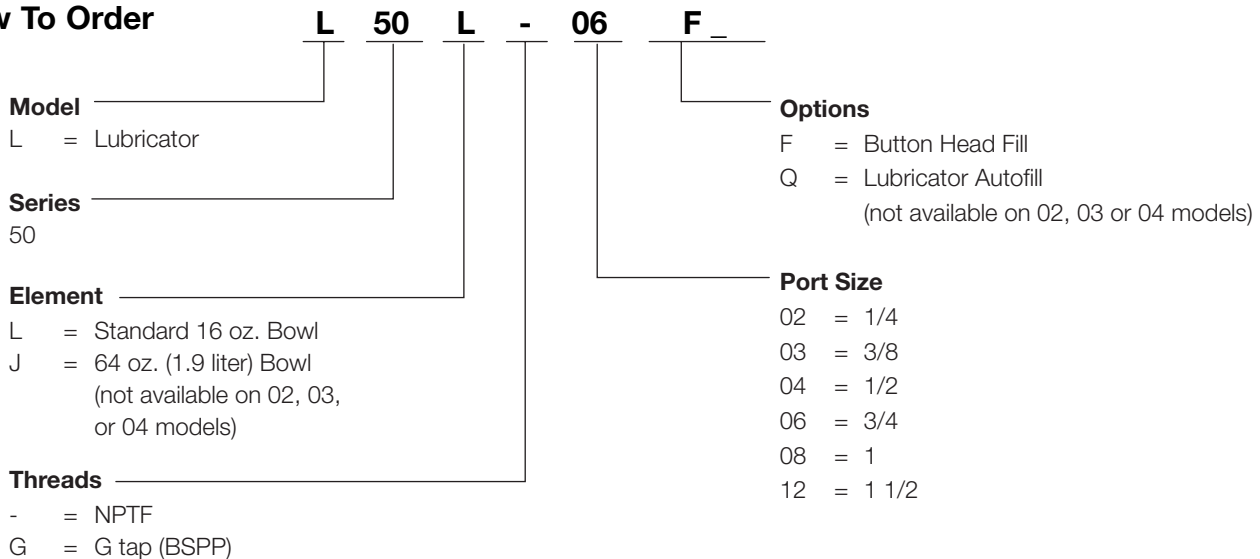
Size	A	B	C	D	E
3/4 & 1	9.88 (251)	4.06 (103)	2.63 (67)	7.25 (184)	4.97 (126)
1 1/2	10.47 (266)	4.81 (122)	2.84 (72)	7.63 (194)	4.97 (126)

Flow Ratings

Model	Pipe Size	Bowl Size	SCFM
L50L-06	3/4	16 oz.	300
L50L-08	1	16 oz.	325
L50L-12	1 1/2	16 oz.	570

* Flow rates based on 100 PSIG inlet and a 5 PSID.

How To Order



High Flow Combination Assemblies **NUMATICS**

50 Series Combinations – N50 Series

Filter/Regulator/Lubricator



Model Number	Pipe Size NPTF	SCFM	Filter	Regulator	Lubricator
N50-06FRL	3/4	186	F50B-06	R50R-06	L50L-06
N50-08FRL	1	260	F50B-08	R50R-08	L50L-08
N50-12FRL	1 1/2	275	F50B-12	R50R-12	L50L-12

Filter/Lubricator



Model Number	Pipe Size NPTF	SCFM	Filter	Lubricator
N50-06FLX	3/4	185	F50B-06	L50L-06
N50-08FLX	1	260	F50B-08	L50L-08
N50-12FLX	1 1/2	275	F50B-12	L50L-12

Filter/Coalescer/Regulator



Model Number	Pipe Size NPTF	SCFM	Filter	Coalescer	Regulator
N50-06FDR	3/4	80	F50B-06	F901D-06	R50R-06
N50-08FDR	1	100	F50B-08	F901D-08	R50R-08
N50-12FDR	1 1/2	250	F50B-12	F901D-12	R50R-12

How To Order

N 50 - 08 FRL A F G H

Model

Nippled Together

Series

50

Threads

- = NPTF
G = G tap (BSPP)

Port Size

02 = 1/4
03 = 3/8
04 = 1/2
06 = 3/4
08 = 1
12 = 1 1/2

Options

A = Auto Float Drain
B = 40 Micron Filter Element
D = Pleated Prefilter on Coalescer
F = Lubricator Button Head Fill
G = Regulator Gauge
H = 0-250 PSIG Regulator Output
J = 64 oz. Lubricator Bowl
(Not Available on 02, 03 or 04)
N = Non-Relieving Regulator
Q = Auto Fill Lubricator
(Not Available on 02, 03 or 04)
R = Hex Nipple Connections
U = Coalescer Delta P Gauge

Combination

FRL = Filter/Regulator/Lubricator
FLX = Filter/Lubricator
FDR = Filter/Coalescer/Regulator

50 Series High Flow Filter

Element Replacement Kits	
includes filter element only	
Kit #	Description
12 Series	
EKF50A-02	50 Series, 40 micron element, 1/4"-3/8"
EKF50B-03	50 Series, 5 micron element, 1/4"-3/8"
EKF48A	50 Series, 40 micron element, 1/2"
EKF48B	50 Series, 5 micron element, 1/2"
EKF50A	50 Series, 40 micron element, 3/4"-1-1/2"
EKF50B	50 Series, 5 micron element, 3/4"-1-1/2"

Filter Repair Kits	
includes Turbo-Flo, element retainer, quiet zone baffle, deflector retainer	
Kit #	Description
RKF50	50 Series, filter repair kit

Bowl Replacement Kits	
includes bowl, o-ring, locking ring	
Kit #	Description
BKF50A	50 Series, 02,03,04 Series bowl
BKF50B	50 Series, 06,08,10,12 Series bowl

Sight Glass Repair Kit	
includes tube and 2 o-rings	
Kit #	Description
SKFL50	50 Series, sight glass repair kit

Regulator Repair Kits	
Includes diaphragm and inner valve	
Kit #	Description
RKR48RA	for R50R-02, (relieving) or for R50R-03, (relieving)
RKR48RB	for R50R-04, (relieving)
RKR50RA	for R50R-06, (relieving) or for R50R-08, (relieving)
RKR50RB	for R50R-10, (relieving) or for R50R-12, (relieving)
RKR48NA	for R50N-02, (non-relieving) or for R50N-03, (non-relieving)
RKR48NB	for R50N-04, (non-relieving)
RKR50NA	for R50N-06, (non-relieving) or for R50N-08, (non-relieving)
RKR50NB	for R50N-10, (non-relieving) or for R50N-12, (non-relieving)

Diaphragm Repair Kits	
includes upper diaphragm, lower diaphragm, inner valve	
Kit #	Description
RKW50RA	for R50W-02, (relieving) or for R50W-03, (relieving)
RKW50RB	for R50W-04, (relieving)
RKW50RC	for R50W-06, (relieving) or for R50W-08, (relieving)
RKW50RD	for R50W-10, (relieving) or for R50W-12, (relieving)
RKW50RE	for R50W-16, (relieving) or for R50W-20, (relieving)
RKW50NA	for R50W-02N, (non-relieving) or for R50W-03N, (non-relieving)
RKW50NB	for R50W-04N, (non-relieving)
RKW50NC	for R50W-06N, (non-relieving) or for R50W-08N, (non-relieving)
RKW50ND	for R50W-10N, (non-relieving) or for R50W-12N, (non-relieving)
RKW50NE	for R50W-16N, (non-relieving) or for R50W-20N, (non-relieving)

Lubricator Repair Kits	
includes needle adjustment ass'y, o'ring, adjustment cap	
Kit #	Description
RKL50	50 Series, lubricator repair kit

Bowl Replacement Kits	
includes bowl, o'ring, locking ring	
Kit #	Description
BKL50A	50 Series, 02,03,04 Series bowl
BKL50B	50 Series, 06,08,10,12 Series bowl

Sight Glass Repair Kit	
includes tube and 2 o-rings	
Kit #	Description
SKFL50	50 Series, sight glass repair kit

Replacement Adjustment Knob Kits	
includes adjustment knob only	
Kit #	Description
LP50	50 Series, adjustment knob