

General Description

The DVR is a reliable, durable switchbox solution for use in confined spaces and across a wide range of industries, including water and wastewater, industrial utilities and food and beverage. Designed to be flexible and adaptable, this unit performs well in challenging conditions. Its patented cam design also makes the commissioning process quick and easy, while its direct-flush mount capabilities ensure secure linkage and operation.

Features & Benefits

- Compact and versatile design for confined spaces across many applications.
- Robust enclosure and stainless steel components offer durability and corrosion resistance.
- Low-profile indication provides easy-to-read local position feedback.
- Patented cam design simplifies the commissioning process, saving time and reducing errors.
- UV resistance ensures the DVR maintains its performance in outdoor environments.



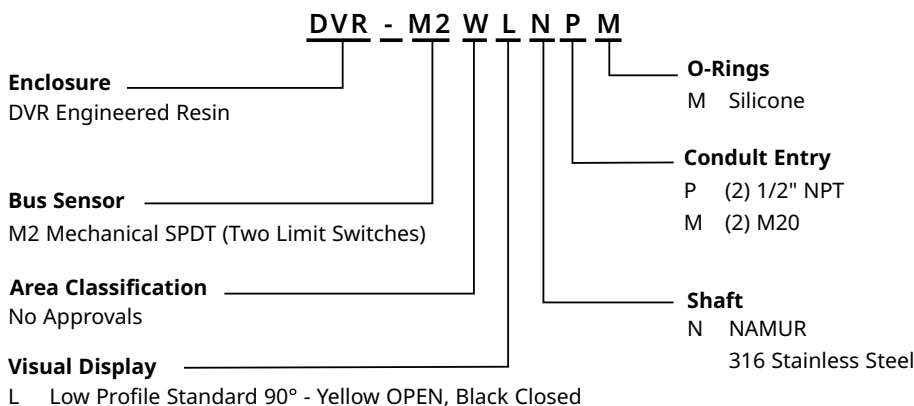
Specifications

Enclosure	UV F1 Rated, IP66, IP67, UL Type 4/4X
Shaft Rotation	90° (consult factory for additional shaft rotation sensing)
Terminal Connection	24-12 AWG

Ordering Information

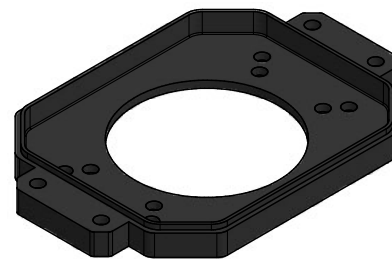
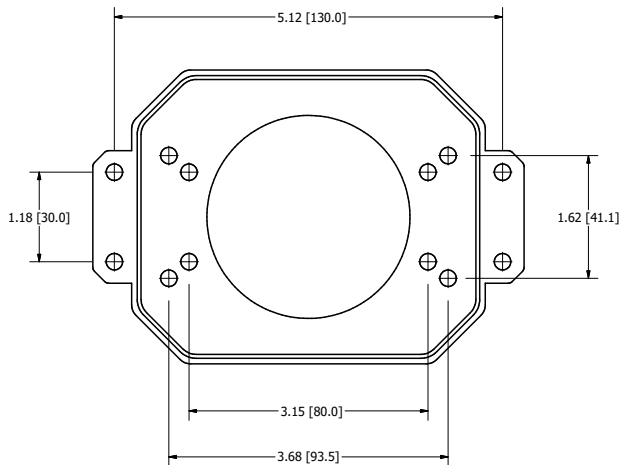
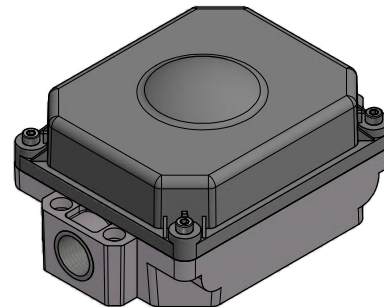
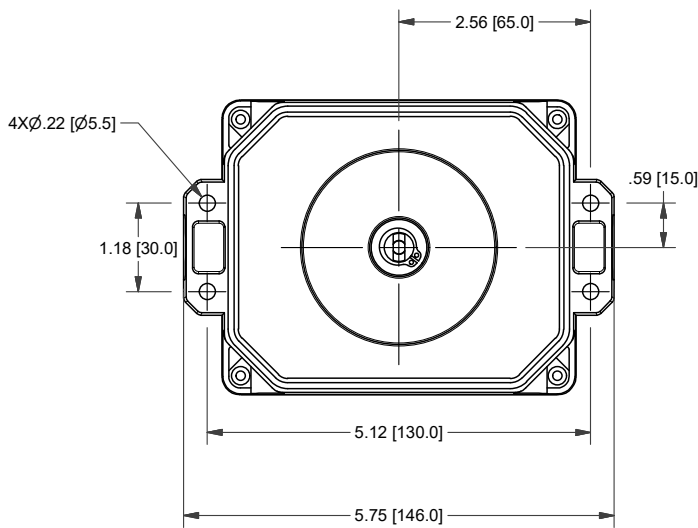
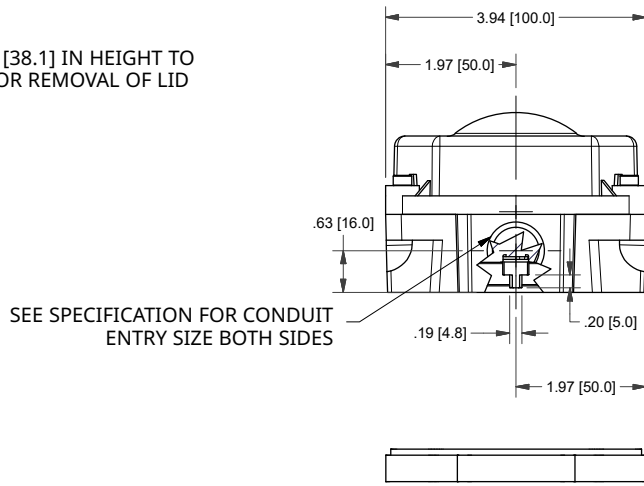
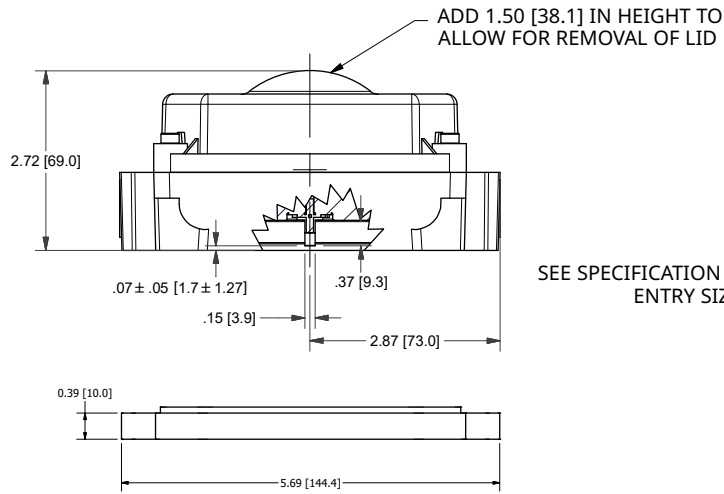
Nomenclature guide below. Choose codes for desired features. Not all feature combinations are compatible. Please consult TopWorx or Online "Configure Your Product" guide at Emerson.com/TopWorx for confirmation.

Codification



TWMID0002-R0

Dimension in inches [mm]



TWMD0002-R0

Availability, design and specifications are subject to change without notice.
© 2024 Emerson Electric Co. All rights reserved.