

## Blanking screws and connectors



AVENTICS™ Blanking screws and connectors



# Reducing nipple

- External thread
- G 1/8 G 1/4 G 3/8 G 1/2 G 3/4 G 1
- M5 G 1/8 G 1/4 G 3/8 G 1/2 G 3/4
- FPT-S-RDZ



Working pressure min./max.

0 ... 60 bar

Ambient temperature min./max.

-20 ... 70 °C

## Technical data

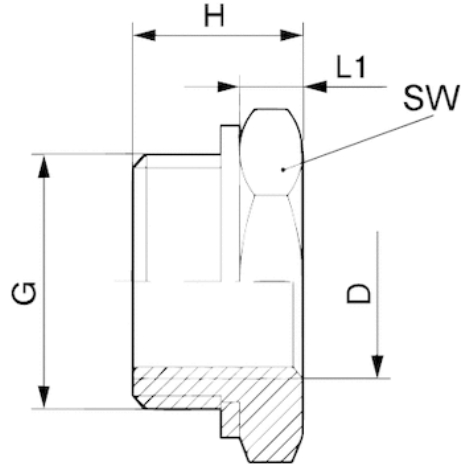
Part No.	Port G	Port D	Delivery unit	Material
1823391080	G 1/8	M5	10 piece	Brass
1823391012	G 1/4	G 1/8	10 piece	-
1823391298	G 3/8	G 1/8	10 piece	Brass
1823391013	G 3/8	G 1/4	10 piece	Brass
1823391299	G 1/2	G 1/8	5 piece	Brass
1823391300	G 1/2	G 1/4	5 piece	Brass
1823391014	G 1/2	G 3/8	5 piece	Brass
1823391301	G 3/4	G 1/4	5 piece	Brass
1823391302	G 3/4	G 3/8	5 piece	Brass
1823391028	G 3/4	G 1/2	5 piece	Brass
1823391303	G 1	G 3/8	2 piece	Brass
1823391304	G 1	G 1/2	2 piece	Brass
1823391285	G 1	G 3/4	2 piece	Brass

## Technical information

Material	
Material	Brass, nickel-plated
Seal	Polyvinyl chloride, hard

## Dimensions

### Dimensions



## Dimensions

Part No.	Port D	Port G	H	L1	SW
1823391080	M5	G 1/8	10.5	4.5	14
1823391012	G 1/8	G 1/4	13	4	17
1823391298	G 1/8	G 3/8	14	5	19
1823391013	G 1/4	G 3/8	15	5	19
1823391299	G 1/8	G 1/2	15.5	5.5	24
1823391300	G 1/4	G 1/2	15.5	5.5	24
1823391014	G 3/8	G 1/2	15.5	5.5	24
1823391301	G 1/4	G 3/4	19	7	32
1823391302	G 3/8	G 3/4	19	7	32
1823391028	G 1/2	G 3/4	19	7	32
1823391303	G 3/8	G 1	23	8	41
1823391304	G 1/2	G 1	23	8	41
1823391285	G 3/4	G 1	23	8	41

# Reducing nipple

- External thread
- M7
- Internal thread
- M5
- FPT-S-RDZ



Working pressure min./max.

0 ... 16 bar

Ambient temperature min./max.

-20 ... 80 °C

## Technical data

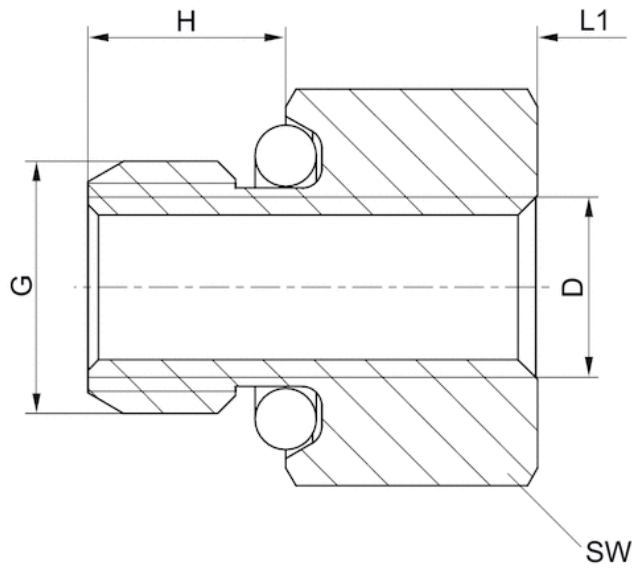
Part No.	Port G	Port D	Delivery unit
2122807050	M7	M5	10 piece

## Technical information

Material	
Material	Brass, nickel-plated
Seal	Polyvinyl chloride, hard

## Dimensions

### Dimensions



## Dimensions

Part No.	Port D	Port G	H	L1	SW
2122807050	M5	M7	5.5	7	10

# Double nipple

- External thread
- M5 G 1/8 G 1/4 G 3/8 G 1/2 G 3/4 G 1
- External thread
- M5 G 1/8 G 1/4 G 3/8 G 1/2 G 3/4 G 1
- FPT-S-RDO



Working pressure min./max. 0 ... 16 bar  
Ambient temperature min./max. -20 ... 80 °C

## Technical data

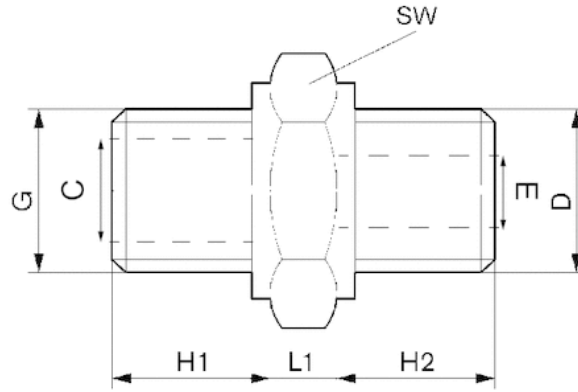
Part No.	Port G	Port D	Delivery unit
1823391081	M5	M5	10 piece
1823391100	G 1/8	M5	10 piece
1823391015	G 1/8	G 1/8	10 piece
1823391016	G 1/4	G 1/8	10 piece
1823391017	G 1/4	G 1/4	10 piece
1823391018	G 3/8	G 1/4	10 piece
1823391019	G 3/8	G 3/8	10 piece
1823391020	G 1/2	G 3/8	5 piece
1823391029	G 1/2	G 1/2	5 piece
1823391286	G 3/4	G 1/2	2 piece
1823391287	G 3/4	G 3/4	2 piece
1823391288	G 1	G 3/4	2 piece
1823391289	G 1	G 1	2 piece

## Technical information

Material	
Material	Brass, nickel-plated
Seal	Polyvinyl chloride, hard

## Dimensions

### Dimensions



## Dimensions

Part No.	Port D	Port G	ØC	ØE	H1	H2	L1	SW
1823391081	M5	M5	-	2	4.5	4.5	4	8
1823391100	M5	G 1/8	-	-	7	5	5	13
1823391015	G 1/8	G 1/8	8	5	7.5	7.5	4	14
1823391016	G 1/8	G 1/4	8	5	10	7	5	17
1823391017	G 1/4	G 1/4	8	7.5	10	10	5	17
1823391018	G 1/4	G 3/8	12	7.5	10	10	5	22
1823391019	G 3/8	G 3/8	12	10	10	10	5	22
1823391020	G 3/8	G 1/2	15	10	12	10	6	27
1823391029	G 1/2	G 1/2	15	13	12	12	6	27
1823391286	G 1/2	G 3/4	20	13	12	12	7	32
1823391287	G 3/4	G 3/4	20	18	12	12	7	32
1823391288	G 3/4	G 1	25	18	15	12	8	41
1823391289	G 1	G 1	25	22	15	15	8	41

# Double nipple, detachable, tapered

- R 1/8 R 1/4 R 3/8 R 1/2 R 3/4 R 1

- FPT-S-RDO



Working pressure min./max.

0 ... 16 bar

Ambient temperature min./max.

-20 ... 80 °C

## Technical data

Part No.	Port G	Delivery unit
1823391253	R 1/8	10 piece
1823391254	R 1/4	10 piece
1823391255	R 3/8	5 piece
1823391256	R 1/2	5 piece
1823391257	R 3/4	2 piece
1823391258	R 1	1 piece

## Technical information

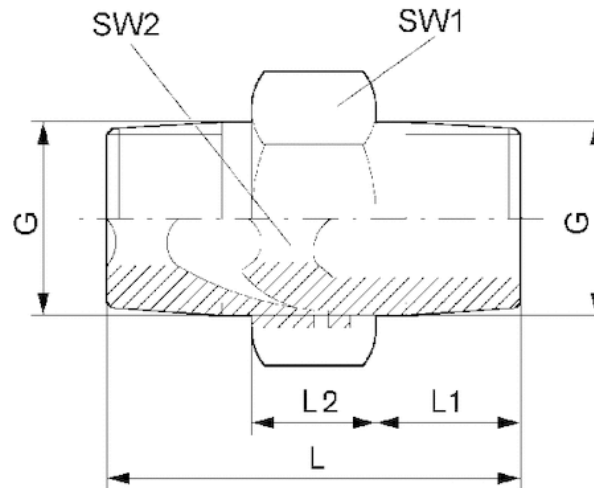
Material

Material	Brass
----------	-------



## Dimensions

### Dimensions



## Dimensions

Part No.	Port G	L	L1	L2	SW1	SW2
1823391253	R 1/8	27	9.2	8.5	15	5
1823391254	R 1/4	33.5	12	9.5	19	6
1823391255	R 3/8	36.5	13	10	22	8
1823391256	R 1/2	44	16	12	27	12
1823391257	R 3/4	52.5	18	17	36	14
1823391258	R 1	63.5	22	20	46	19

# Double nipple

- G 1/4
- G 1/4 G 3/8
- FPT-S-RDO



Working pressure min./max.

0 ... 16 bar

Ambient temperature min./max.

-20 ... 80 °C

Weight per piece

See table below

## Technical data

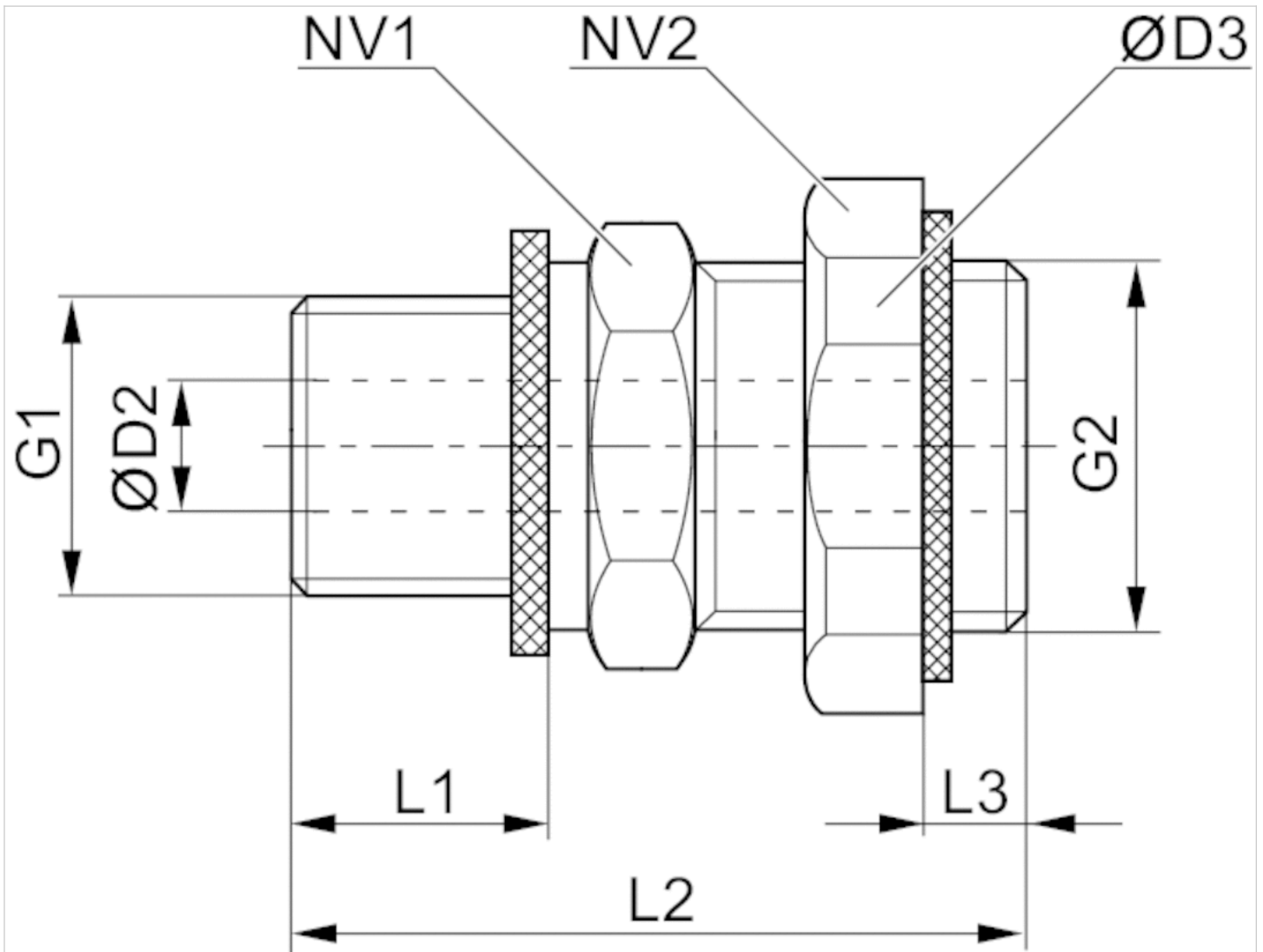
Part No.	Port G	Port D	Delivery unit	Weight per piece
8632141400	G 1/4	G 1/4	10 piece	0.034 kg
8632143800	G 1/4	G 3/8	10 piece	0.044 kg

## Technical information

Material	
Material	Brass, nickel-plated
Seal	Polyvinyl chloride, hard

## Dimensions

double male connectors type DN, adjustable



## Dimensions

Part No.	G1	G2	Ø D2	Ø D3	L2	L1	L3*	NV1	NV2
8632141400	G 1/4	G 1/4	7	21	29	8	8	17	19
8632143800	G 1/4	G 3/8	7	24	30	8	10	17	22

\*max

# Double nipple

- R 1/4 R 1/2  
- FPT-C-RDO



Working pressure min./max.

0 ... 150 bar

Ambient temperature min./max.

-20 ... 150 °C

Weight per piece

See table below

## Technical data

Part No.	Port G	Delivery unit	Weight per piece
R412010691	R 1/4	2 piece	0.015 kg
R412010692	R 1/2	2 piece	0.039 kg

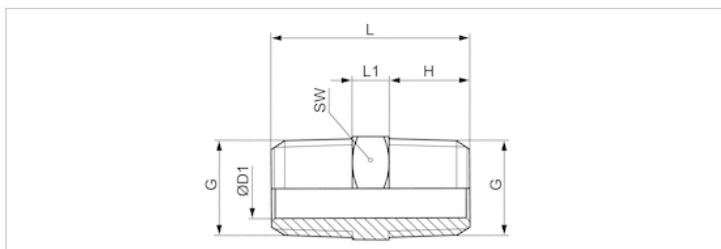
## Technical information

Material

Material	Stainless steel
----------	-----------------

## Dimensions

Dimensions



## Dimensions

Part No.	Port G	ØD1	H	L	L1	SW
R412010691	R 1/4	8.5	11	27	5	14
R412010692	R 1/2	15	14	34	6	22

# Blanking screw

- External thread
- G 1/8 G 1/4
- FPT-S-RIO



Working pressure min./max.

0 ... 16 bar

Ambient temperature min./max.

-20 ... 80 °C

## Technical data

Part No.	Port G	Delivery unit
1823462004	G 1/8	10 piece
1823462003	G 1/4	10 piece

## Technical information

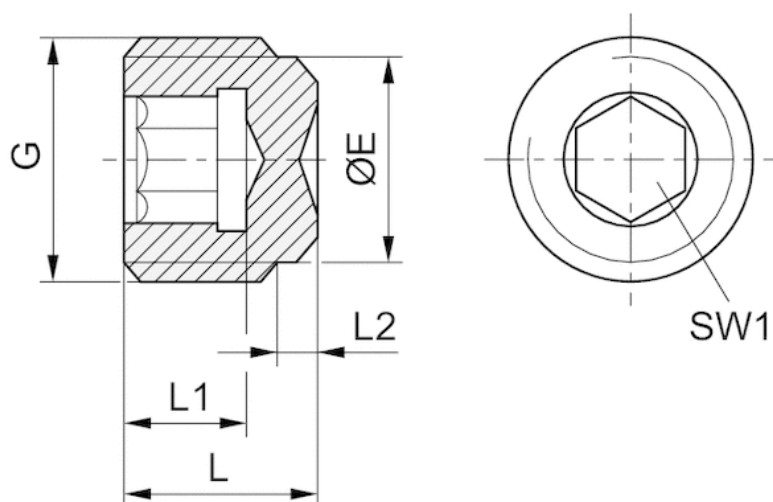
Material

Material

Brass

## Dimensions

### Dimensions



## Dimensions in mm

Port G	ØE	L	L1	L2	SW1
G 1/8	8	8	5	2	5
G 1/4	11	11	7	3.5	6

# Blanking screw with O-ring, Series FPT

- External thread
- G 1/8 G 1/4 G 3/8 G 1/2
- FPT-C-RBA



Working pressure min./max.

0 ... 16 bar

Ambient temperature min./max.

-20 ... 150 °C

## Technical data

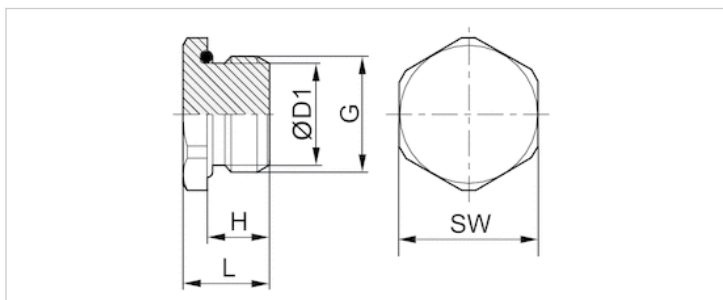
Part No.	Port G	Delivery unit
R412010045	G 1/8	2 piece
R412010683	G 1/4	2 piece
R412010684	G 3/8	2 piece
R412010044	G 1/2	2 piece

## Technical information

Material	
Material	Stainless steel
Seal	Fluorocaoutchouc

## Dimensions

### Dimensions



## Dimensions

Part No.	Port G	ØD1	H	L	SW
R412010045	G 1/8	8.3	5.5	9.5	13
R412010683	G 1/4	11.2	8	11.5	17
R412010684	G 3/8	14.8	9	12.5	20
R412010044	G 1/2	17	9	14	24



# Blanking screw with O-ring, Series FPT

- External thread
- G 1/8 G 1/4 G 3/8 G 1/2
- FPT-S-RBA



Working pressure min./max.

0 ... 16 bar

Ambient temperature min./max.

-20 ... 80 °C

## Technical data

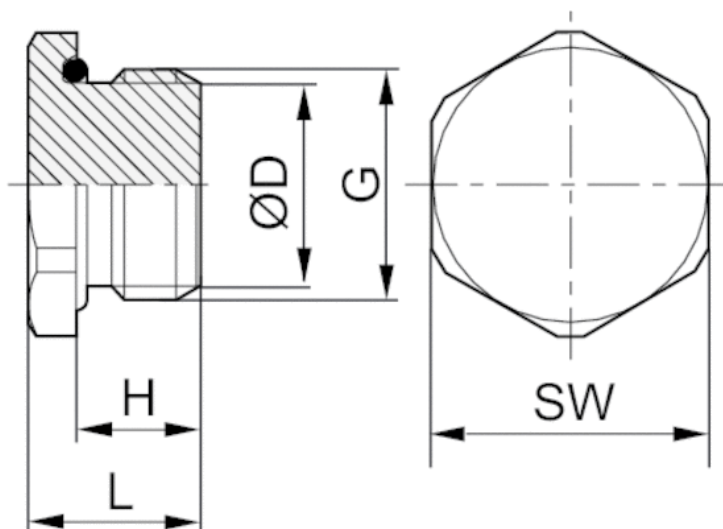
Part No.	Port G	Delivery unit
R412010743	G 1/8	25 piece
R412010744	G 1/4	25 piece
R412010745	G 3/8	25 piece
R412010746	G 1/2	25 piece

## Technical information

Material	
Material	Brass, nickel-plated
Seal	Nitrile butadiene rubber

## Dimensions

### Dimensions



## Dimensions

Part No.	Port G	ØD	H	L	SW
R412010743	G 1/8	8	5.5	8	14
R412010744	G 1/4	11	6.5	10	19
R412010745	G 3/8	14	7.5	11.5	22
R412010746	G 1/2	17.5	9	13	24

# Blanking screw with O-ring, Series FPT

- External thread
- M7 G 1/8 G 1/4 G 3/8 G 1/2
- FPT-S-RBI



Working pressure min./max. 0 ... 16 bar  
 Ambient temperature min./max. -20 ... 80 °C

## Technical data

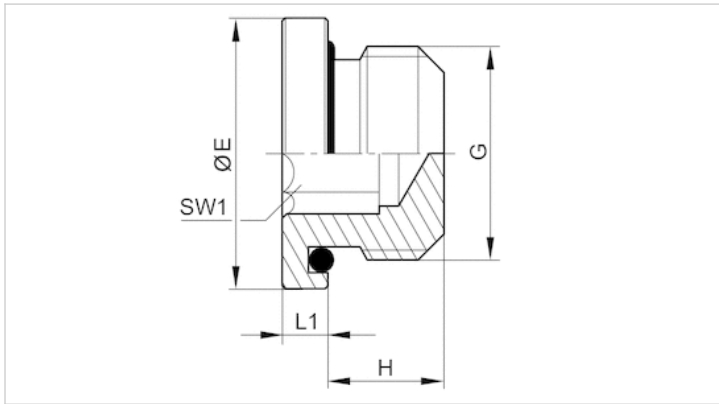
Part No.	Port G	Delivery unit
8639000700	M7	25 piece
8639001800	G 1/8	25 piece
8639001400	G 1/4	25 piece
8639003800	G 3/8	25 piece
8639001200	G 1/2	25 piece

## Technical information

Material	
Material	Brass, nickel-plated
Seal	Acrylonitrile butadiene rubber

## Dimensions

### Dimensions



## Dimensions

Part No.	Port G	Ø E	H	L1	SW1
8639000700	M7	11	5.5	4	3
8639001800	G 1/8	14	5.5	2.5	5
8639001400	G 1/4	18	6.5	3.5	6
8639003800	G 3/8	21	7.5	4	8
8639001200	G 1/2	26	9	4	10

# Bulkhead connector, through internal thread

- M5 G 1/8 G 1/4 G 3/8 G 1/2 G 3/4 G 1

- FPT-S-RSG



Working pressure min./max.

See table below

Ambient temperature min./max.

See table below

## Technical data

Part No.	Port G	Delivery unit	Material
1823391225	M5	5 piece	Brass
1823391226	G 1/8	5 piece	Brass
1823391227	G 1/4	5 piece	Brass
1823391228	G 3/8	5 piece	Brass
1823391262	G 1/2	2 piece	Brass
8623003400	G 3/4	2 piece	Brass
R412026571	G 1	2 piece	Brass
R415009441	G 1	2 piece	Stainless steel

## Technical information

Material	
Material	Brass, nickel-plated Stainless steel

## Dimensions

### Dimensions



### Dimensions

Part No.	Port G	D	L1	L2	L3 1)	SW1	SW2
1823391225	M5	M10x1	10.5	3.5	7	14	14
1823391226	G 1/8	M16x1,5	14	4	10	19	22
1823391227	G 1/4	M20x1,5	21	4	16	24	27
1823391228	G 3/8	M26x1,5	21	5	15	30	32
1823391262	G 1/2	M28x1,5	27	6	21	32	36
8623003400	G 3/4	M34x2	30	6	24	41	41
R412026571	G 1	M42x2	34	-	-	46	50
R415009441	G 1	M42x2	42	-	-	46	50

1) Max.

# Elbow fitting

- Internal thread
- G 1/4 G 1/2
- External thread
- R 1/4 R 1/2
- FPT-S-RLT



Working pressure min./max. -0.95 ... 16 bar  
 Ambient temperature min./max. -20 ... 150 °C

## Technical data

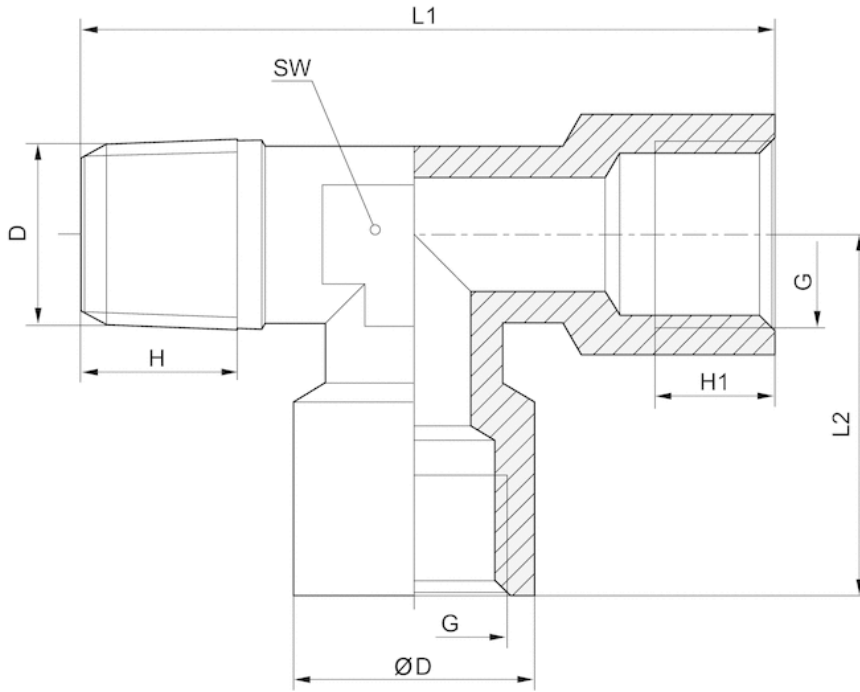
Part No.	Port G	Port D
R412010724	G 1/4	R 1/4
R412010725	G 1/2	R 1/2

## Technical information

Material	
Material	Stainless steel

## Dimensions

### Dimensions



## Dimensions

Part No.	Port D	Port G	H	H1	L1	L2	Ø D	SW
R412010724	R 1/4	G 1/4	11	11	47.5	24.5	24.5	12
R412010725	R 1/2	G 1/2	14	15	61.5	32	25.5	20



# Elbow fitting

- Internal thread
- G 1/8 G 1/4 G 3/8 G 1/2 G 3/4 G 1
- External thread
- R 1/8 R 1/4 R 3/8 R 1/2 R 3/4 R 1
- FPT-S-RLT



Working pressure min./max. 0 ... 16 bar  
 Ambient temperature min./max. -20 ... 80 °C

## Technical data

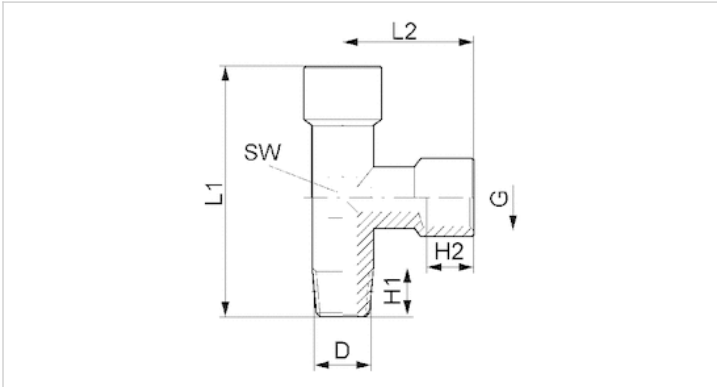
Part No.	Port G	Port D	Delivery unit
1823391751	G 1/8	R 1/8	10 piece
1823391752	G 1/4	R 1/4	10 piece
1823391753	G 3/8	R 3/8	5 piece
1823391754	G 1/2	R 1/2	5 piece
1823391755	G 3/4	R 3/4	2 piece
1823391756	G 1	R 1	2 piece

## Technical information

Material	
Material	Brass, nickel-plated

## Dimensions

### Dimensions



## Dimensions

Part No.	Port D	Port G	H1	H2	L1	L2	SW
1823391751	R 1/8	G 1/8	8.5	7	40	21	10
1823391752	R 1/4	G 1/4	11.5	9	49	25.5	13
1823391753	R 3/8	G 3/8	12.5	9.5	54.5	28	17
1823391754	R 1/2	G 1/2	13	13	64.5	33	21
1823391755	R 3/4	G 3/4	15	15	68.5	36.5	25
1823391756	R 1	G 1	17	17	84	45	30

# T-union

- Internal thread
- G 1/8 G 1/4 G 3/8 G 1/2 G 3/4 G 1
- FPT-S-RTK



Working pressure min./max.

0 ... 16 bar

Ambient temperature min./max.

-20 ... 80 °C

## Technical data

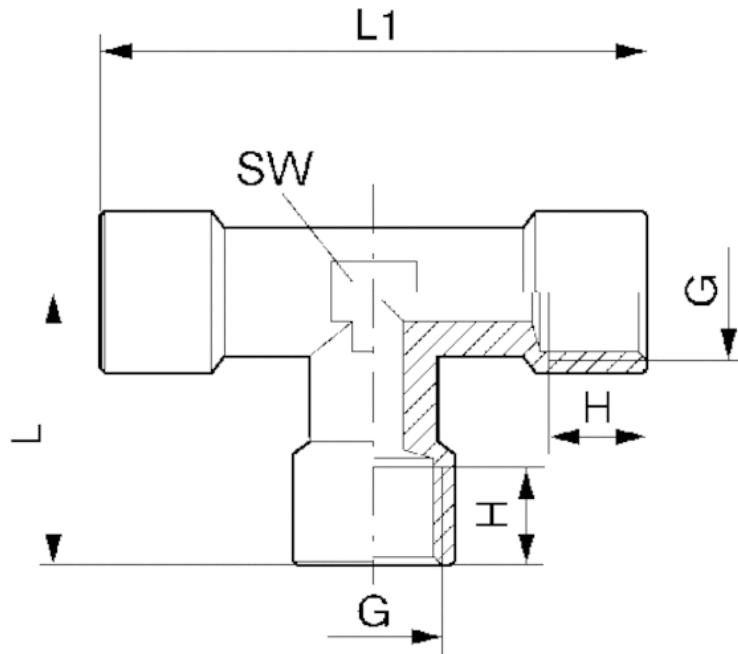
Part No.	Port G	Delivery unit
1823391739	G 1/8	10 piece
1823391740	G 1/4	10 piece
1823391741	G 3/8	5 piece
1823391742	G 1/2	5 piece
1823391743	G 3/4	2 piece
1823391744	G 1	2 piece

## Technical information

Material	
Material	Brass, nickel-plated

## Dimensions

### Dimensions



## Dimensions

Part No.	Port G	H	L	L1	SW
1823391739	G 1/8	8	21	42	10
1823391740	G 1/4	11	25.5	51	13
1823391741	G 3/8	11.5	28	56	17
1823391742	G 1/2	15	33	67	21
1823391743	G 3/4	16.5	36	73	25
1823391744	G 1	19	45	90	36

# T-union

- Internal thread
- G 1/8 G 1/4 G 3/8 G 1/2 G 3/4 G 1
- External thread
- R 1/8 R 1/4 R 3/8 R 1/2 R 3/4 R 1
- FPT-S-RTT



Working pressure min./max. 0 ... 16 bar  
 Ambient temperature min./max. -20 ... 80 °C

## Technical data

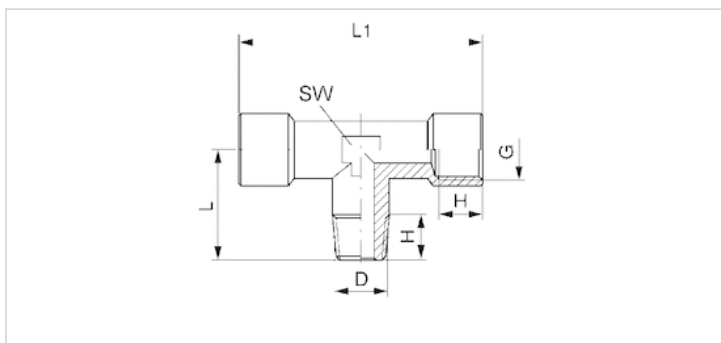
Part No.	Port G	Port D	Delivery unit
1823391745	G 1/8	R 1/8	10 piece
1823391746	G 1/4	R 1/4	10 piece
1823391747	G 3/8	R 3/8	5 piece
1823391748	G 1/2	R 1/2	5 piece
1823391749	G 3/4	R 3/4	2 piece
1823391750	G 1	R 1	2 piece

## Technical information

Material	
Material	Brass, nickel-plated

## Dimensions

### Dimensions



## Dimensions

Part No.	Port D	Port G	H	L	L1	SW
1823391745	R 1/8	G 1/8	8.2	19	42	10
1823391746	R 1/4	G 1/4	11	24	51	13
1823391747	R 3/8	G 3/8	11.5	26.5	56	17
1823391748	R 1/2	G 1/2	15	31.5	67	21
1823391749	R 3/4	G 3/4	16.5	32	73	25
1823391750	R 1	G 1	19	39	90	30

# Elbow fitting

- Internal thread
- G 1/8 G 1/4 G 3/8 G 1/2 G 3/4 G 1
- FPT-S-RVK



Working pressure min./max.

0 ... 16 bar

Ambient temperature min./max.

-20 ... 80 °C

## Technical data

Part No.	Port G	Delivery unit
1823391721	G 1/8	10 piece
1823391722	G 1/4	10 piece
1823391723	G 3/8	5 piece
1823391724	G 1/2	5 piece
1823391725	G 3/4	2 piece
1823391726	G 1	2 piece

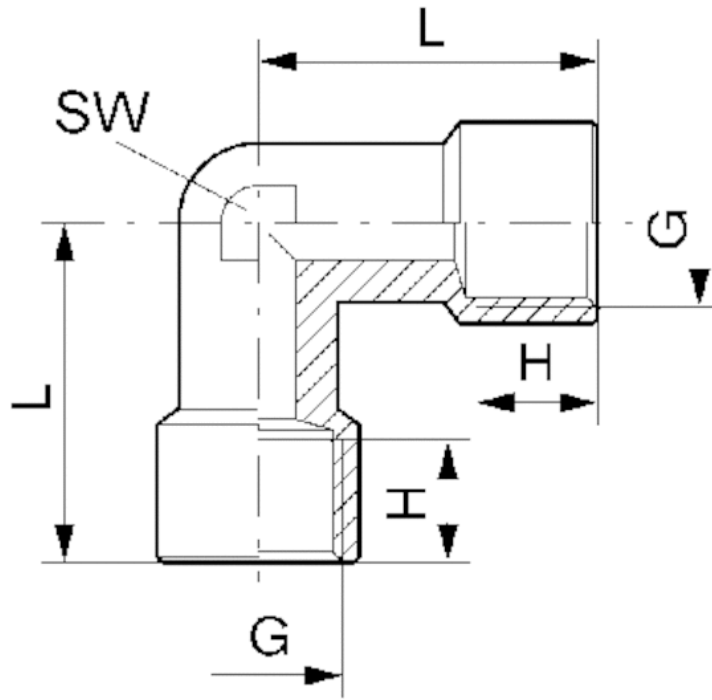
## Technical information

### Material

Material	Brass, nickel-plated
----------	----------------------

## Dimensions

### Dimensions



## Dimensions

Part No.	Port G	H	L	SW
1823391721	G 1/8	8.2	21	10
1823391722	G 1/4	11.4	25.5	13
1823391723	G 3/8	11.3	28	17
1823391724	G 1/2	15	34	21
1823391725	G 3/4	16.5	36	25
1823391726	G 1	19	45	30



# Elbow fitting, tapered

- External thread

- R 1/8 R 1/4 R 3/8 R 1/2 R 3/4 R 1



Working pressure min./max.

0 ... 16 bar

Ambient temperature min./max.

-20 ... 80 °C

## Technical data

Part No.	Type	Port G	Delivery unit
1823391733	FPT-S-RVK	R 1/8	10 piece
1823391734	FPT-S-RVK	R 1/4	10 piece
1823391735	FPT-S-RVK	R 3/8	5 piece
1823391736	FPT-S-RVK	R 1/2	5 piece
1823391737	FPT-S-RVK	R 3/4	2 piece
1823391738	-	R 1	2 piece

## Technical information

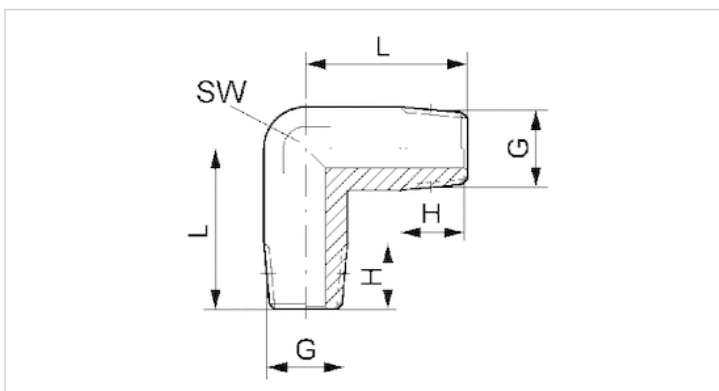
Material

Material

Brass, nickel-plated

## Dimensions

Dimensions



## Dimensions

Part No.	Port G	H	L	SW
1823391733	R 1/8	8,0	19,0	10
1823391734	R 1/4	11,0	24,0	13
1823391735	R 3/8	11.5	26.5	17
1823391736	R 1/2	15,0	30,0	21
1823391737	R 3/4	14.5	32,0	25
1823391738	R 1	16.8	39,0	30

# Elbow fitting

- External thread
- R 1/8 R 1/4 R 3/8 R 1/2 R 3/4 R 1
- Internal thread
- G 1/8 G 1/4 G 3/8 G 1/2 G 3/4 G 1
- FPT-S-RVT



Working pressure min./max.

0 ... 16 bar

Ambient temperature min./max.

-20 ... 80 °C

## Technical data

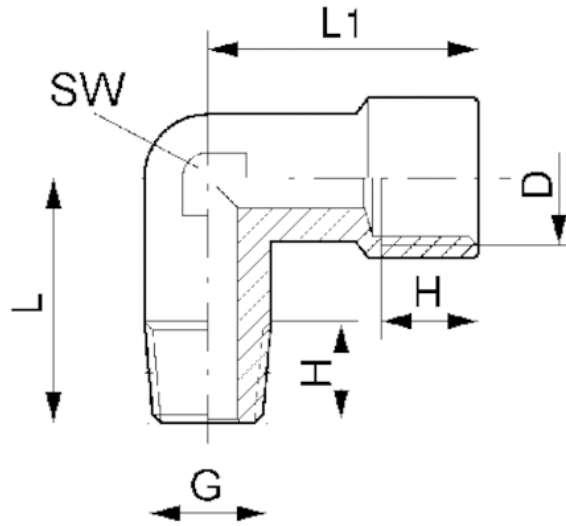
Part No.	Port G	Port D	Delivery unit
1823391727	R 1/8	G 1/8	10 piece
1823391728	R 1/4	G 1/4	10 piece
1823391729	R 3/8	G 3/8	5 piece
1823391730	R 1/2	G 1/2	5 piece
1823391731	R 3/4	G 3/4	2 piece
1823391732	R 1	G 1	2 piece

## Technical information

Material	
Material	Brass, nickel-plated

## Dimensions

### Dimensions



## Dimensions

Part No.	Port D	Port G	H1	H2	L	L1	SW
1823391727	G 1/8	R 1/8	8	7	19	21	10
1823391728	G 1/4	R 1/4	11	9	24	25.5	13
1823391729	G 3/8	R 3/8	11.5	9.5	26.5	28	17
1823391730	G 1/2	R 1/2	13	13	30.5	33	21
1823391731	G 3/4	R 3/4	14	14	32	36	25
1823391732	G 1	R 1	15	15	39	45	30

# Blanking screw, gasket

- M5

- FPT-S-RBI



Working pressure min./max.

0 ... 16 bar

Ambient temperature min./max.

-20 ... 80 °C

The delivered product may vary from that in the illustration.

## Technical data

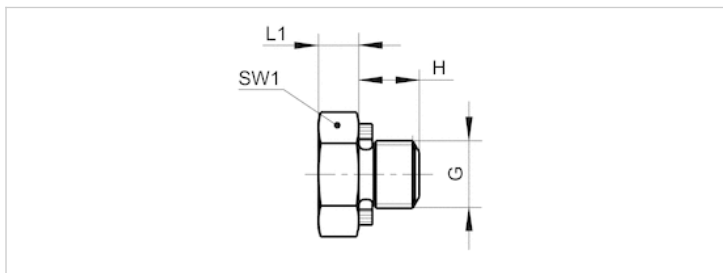
Part No.	Port G	Delivery unit
1823462016	M5	25 piece

## Technical information

Material	
Material	Steel, galvanized
Seal	Polyvinyl chloride, hard

## Dimensions

### Dimensions



### Dimensions

Port G	H	L1	SW1
M5	4.5	3	8

# Blanking screw, gasket

- G 1/8 G 1/4 G 3/8 G 1/2 G 3/4 G 1

- FPT-S-RBI



Working pressure min./max.

0 ... 16 bar

Ambient temperature min./max.

-20 ... 80 °C

The delivered product may vary from that in the illustration.

## Technical data

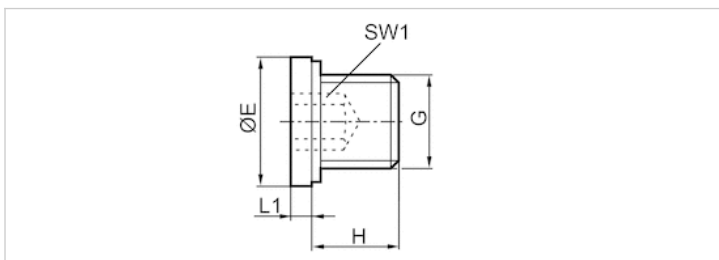
Part No.	Port G	Delivery unit
1823462028	G 1/8	25 piece
1823462029	G 1/4	25 piece
1823462030	G 3/8	25 piece
1823462031	G 1/2	25 piece
1823462032	G 3/4	10 piece
1823462033	G 1	5 piece

## Technical information

Material	
Material	Steel, galvanized
Seal	Polyvinyl chloride, hard

## Dimensions

### Dimensions



## Dimensions

Port G	Ø E	H	L1	SW1
G 1/8	14	8	3	5
G 1/4	18	12	3	6
G 3/8	22	12	3	8
G 1/2	26	14	4	10
G 3/4	32	16	4	12
G 1	39	16	5	17

# plugs

- G 1/8 G 1/4 G 3/8 G 1/2



Working pressure min./max.

0 ... 150 bar

Ambient temperature min./max.

-20 ... 150 °C

## Technical data

Part No.	Port G	Internal wrench size (ISW)
R412026840	G 1/8	5 mm
R412026841	G 1/4	6 mm
R412026842	G 3/8	8 mm
R412026844	G 1/2	10 mm

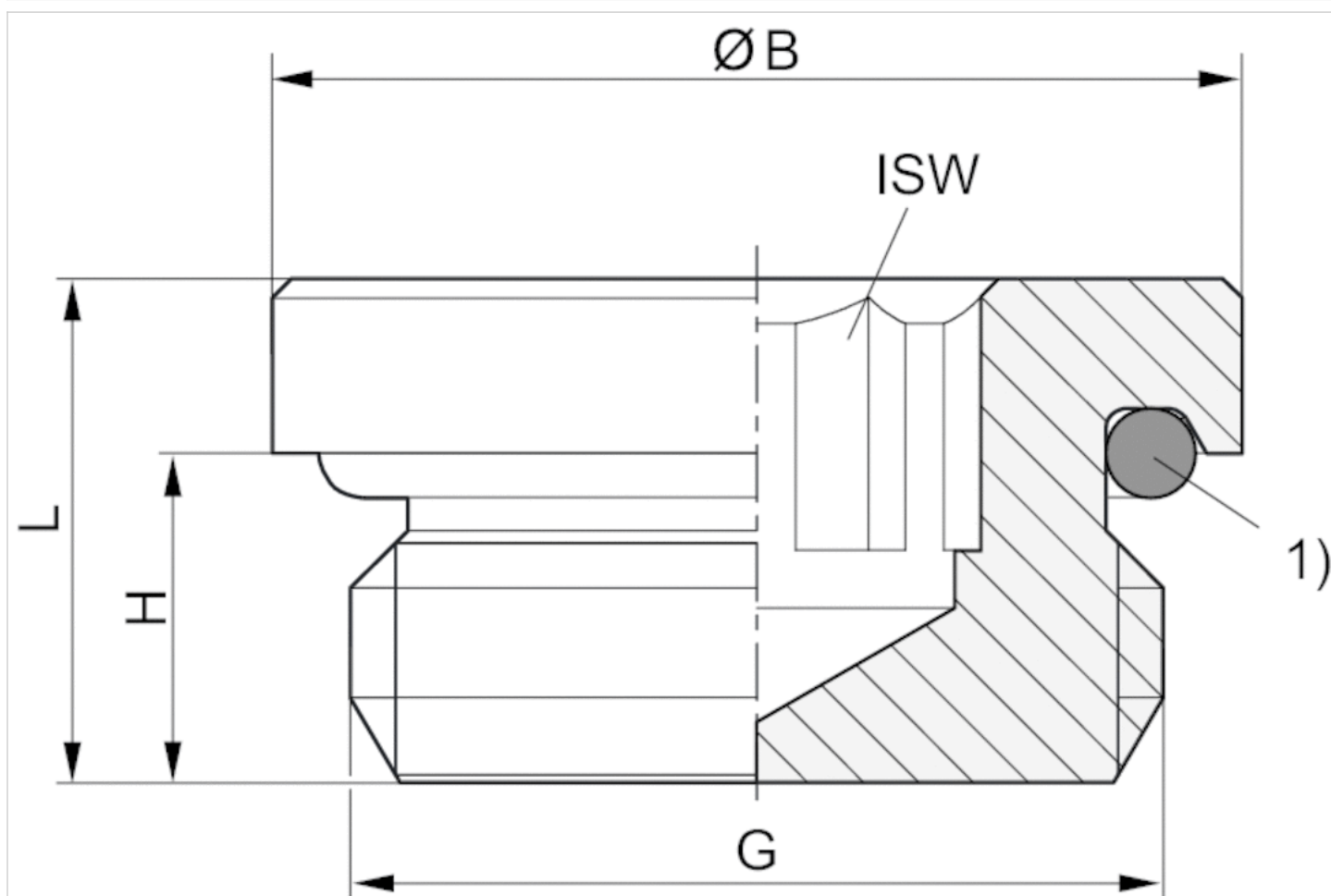
## Technical information

Material	
Material	Stainless steel
Seal	Fluorocaoutchouc



## Dimensions

## Dimensions



1) O-ring, FKM

## Dimensions

Port G	ISW	H	$\varnothing B$	L
G 1/8	5 mm	6	14	9,5
G 1/4	6 mm	8	17	11,5
G 3/8	8 mm	9	20	12,5
G 1/2	10 mm	8,5	25	13

# Sleeve

- Internal thread
- M5 M8 M10x1,25 M12x1,25 G 1/8 G 1/4 G 3/8 G 1/2 G 3/4 G 1
- Internal thread
- M5 G 1/8 M8 G 1/4 G 3/8 G 1/2 G 3/4 G 1
- FPT-S-RSK



Working pressure min./max.

0 ... 16 bar

Ambient temperature min./max.

-20 ... 80 °C

## Technical data

Part No.	Port G	Port D	Delivery unit
1823300012	M5	M5	10 piece
8932403214	M5	G 1/8	10 piece
R412010028	M8	M8	10 piece
1823373084	M10x1,25	G 1/8	10 piece
1823373085	M10x1,25	G 1/4	10 piece
1823373086	M12x1,25	G 1/8	10 piece
1823373087	M12x1,25	G 1/4	10 piece
1823300000	G 1/8	G 1/8	10 piece
1823300001	G 1/4	G 1/4	10 piece
1823300002	G 3/8	G 3/8	10 piece
1823300008	G 1/2	G 1/2	5 piece
1823300035	G 3/4	G 3/4	2 piece
1823300036	G 1	G 1	2 piece

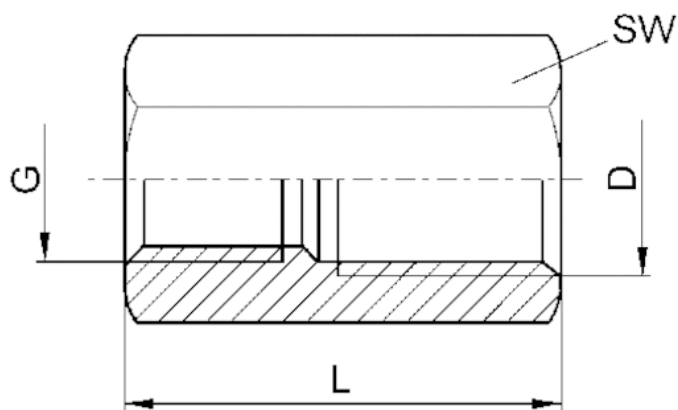
## Technical information

### Material

Material	Brass, nickel-plated
----------	----------------------

## Dimensions

### Dimensions



## Dimensions

Part No.	Port D	Port G	L	SW
1823300012	M5	M5	10	8
8932403214	G 1/8	M5	14	14
R412010028	M8	M8	15	11
1823373084	G 1/8	M10x1,25	31	13
1823373085	G 1/4	M10x1,25	34	17
1823373086	G 1/8	M12x1,25	31	17
1823373087	G 1/4	M12x1,25	34	17
1823300000	G 1/8	G 1/8	15	13
1823300001	G 1/4	G 1/4	22	17
1823300002	G 3/8	G 3/8	22	22
1823300008	G 1/2	G 1/2	26	27
1823300035	G 3/4	G 3/4	34	32
1823300036	G 1	G 1	38	41

# Adapter

- External thread
- M5 G 1/8 G 1/4 G 3/8
- Internal thread
- G 1/8 G 1/4 G 3/8 G 1/2
- FPT-S-REN



Working pressure min./max.

0 ... 16 bar

Ambient temperature min./max.

-20 ... 80 °C

Weight per piece

See table below

## Technical data

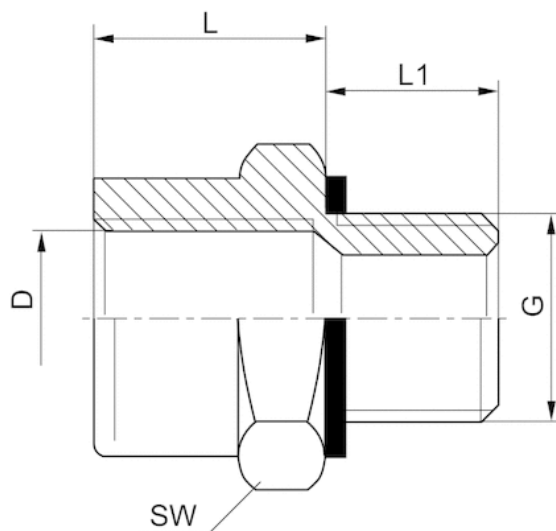
Part No.	Port G	Port D	Delivery unit	Weight per piece
8633051800	M5	G 1/8	10 piece	0.01 kg
2122918140	G 1/8	G 1/4	10 piece	0.02 kg
2122914380	G 1/4	G 3/8	10 piece	0.03 kg
8633141200	G 1/4	G 1/2	10 piece	0.04 kg
2122938120	G 3/8	G 1/2	10 piece	0.04 kg

## Technical information

Material	
Material	Brass, nickel-plated
Seal	Polyvinyl chloride

## Dimensions

### Dimensions



## Dimensions

Part No.	Port D	Port G	L	L1	SW
8633051800	G 1/8	M5	14	4	14
2122918140	G 1/4	G 1/8	13,5	6	17
2122914380	G 3/8	G 1/4	14,5	8	22
8633141200	G 1/2	G 1/4	18	8	24
2122938120	G 1/2	G 3/8	27	9	26

# Crosspiece, tapered

- Internal thread
- G 1/8 G 1/4 G 3/8 G 1/2
- External thread
- R 1/8 R 1/4 R 3/8 R 1/2
- FPT-S-RXS



Working pressure min./max.

0 ... 16 bar

Ambient temperature min./max.

-20 ... 80 °C

## Technical data

Part No.	Port G	Port D	Delivery unit
R412010031	G 1/8	R 1/8	10 piece
R412010032	G 1/4	R 1/4	10 piece
R412010033	G 3/8	R 3/8	5 piece
R412010034	G 1/2	R 1/2	5 piece

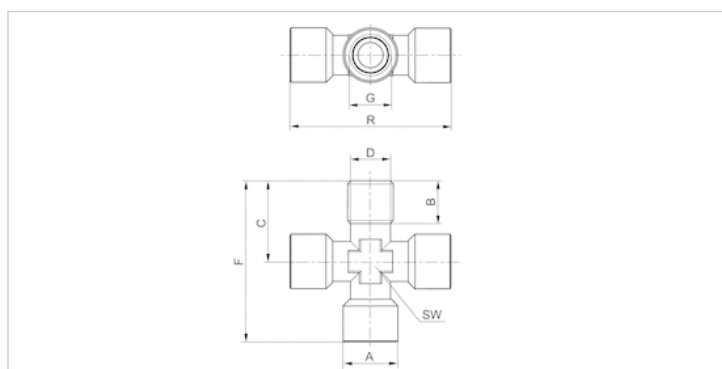
## Technical information

### Material

Material	Brass, nickel-plated
----------	----------------------

## Dimensions

### Dimensions



## Dimensions

Part No.	Port D	Port G	A	B	C	R	E	F	SW
R412010031	R 1/8	G 1/8	13	8	18.5	42	6	39.5	10
R412010032	R 1/4	G 1/4	17	11	23.5	51	8	49.5	13
R412010033	R 3/8	G 3/8	21	11.5	26	56	11	54	17
R412010034	R 1/2	G 1/2	26	14.5	31	67	15	64	21

# Filler neck

- Enables use of bellow actuators for vibration isolation
- G 1/8 G 1/4 1/4 - 18 NPTF



Working pressure min./max.

0 ... 20 bar

Ambient temperature min./max.

-50 ... 130 °C

Medium

Compressed air

## Technical data

Part No.	Port G	Fig.
R412007945	G 1/8	Fig. 1
3900040040	G 1/4	Fig. 2
R412010046	1/4 - 18 NPTF	Fig. 3

## Technical information

Material	
Material	Brass



# Dimensions

Fig. 1

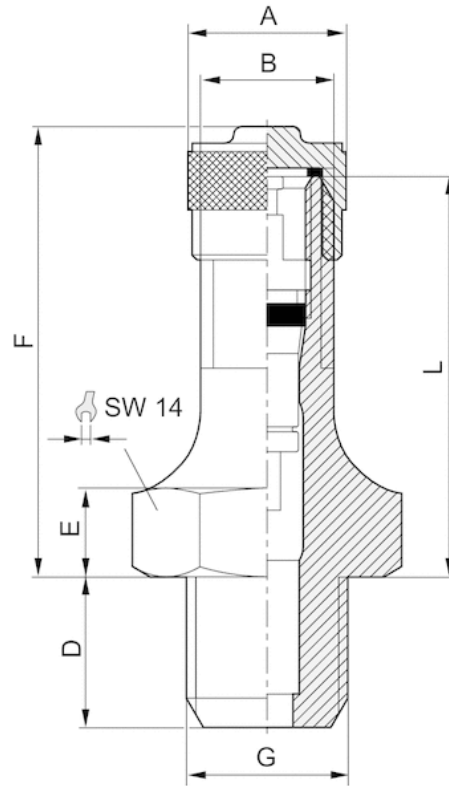


Fig. 2

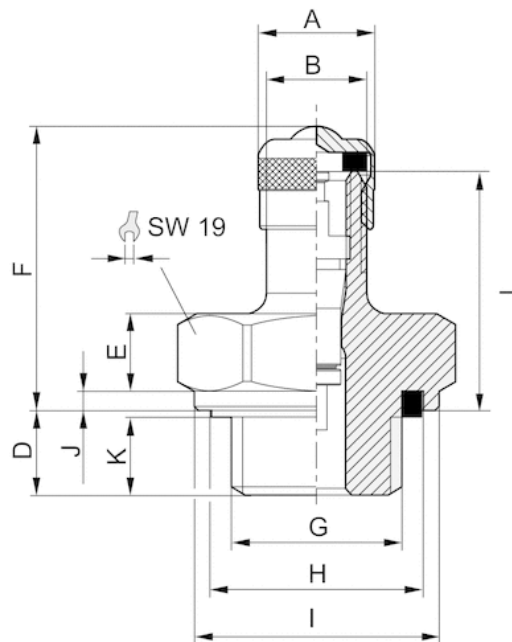
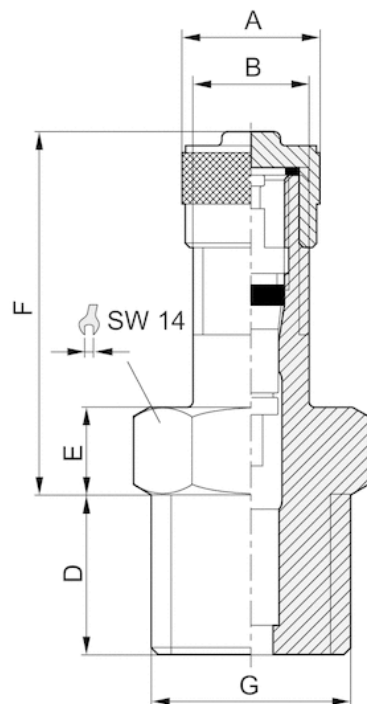


Fig. 3



## Dimensions

Part No.	Port G	ØA	B 1)	D	E	F	H	I	J	K 2)	L	Fig.
R412007945	G 1/8	9.5	8	9	5	27	-	-	-	-	24	Fig. 1
3900040040	G 1/4	9	8	6.5	6	22	16.5	18.9	1.5	5.5	18.5	Fig. 2
R412010046	1/4 - 18 NPTF	9.5	8	11	6	25	-	-	-	-	-	Fig. 3

1) 8V1-1↔ETRTO V0.07.3

2) Min.

# Straight fitting

- G 3/4



Working pressure min./max.

0 ... 10 bar

Ambient temperature min./max.

-20 ... 150 °C

## Technical data

Part No.	Port G
8938028550	G 3/4
8938028560	G 3/4

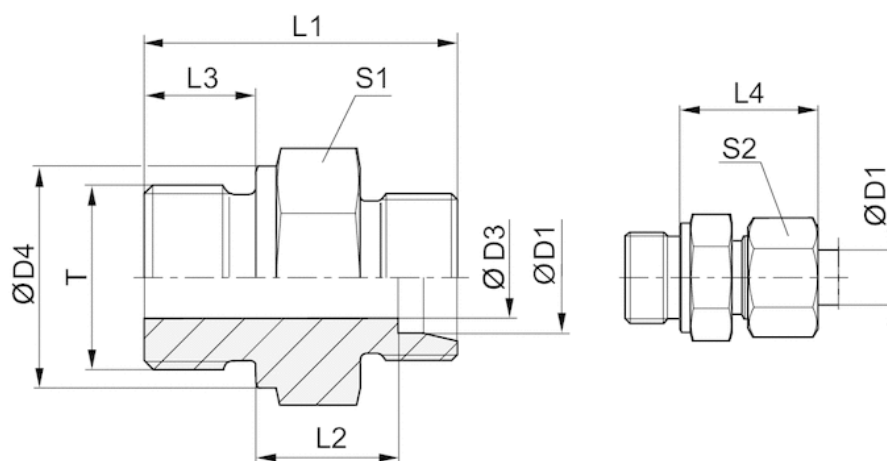
## Technical information

Material

Material	Steel
----------	-------

## Dimensions

Dimensions

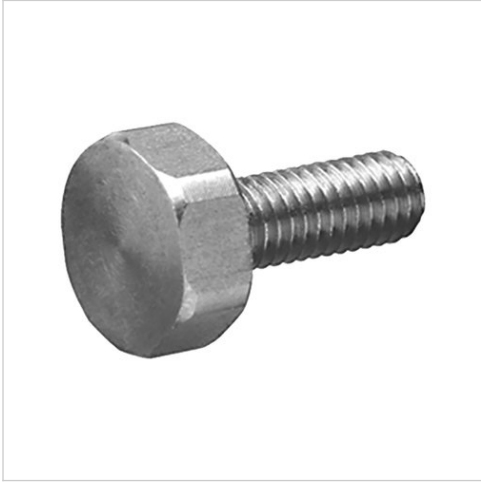


## Dimensions

Part No.	Port G	ØD1	ØD3	ØD4	L1	L2	L3	L4	S1	S2	T
8938028550	G 3/4	18	15	32	38	14,5	16	30	32	32	G3/4
8938028560	G 3/4	22	18	32	40	16,5	16	33	32	36	G3/4

# Blanking screw

- M6, M8, M10, M12



## Technical data

Part No.	Port G	Delivery unit	Fig.
R402003749	M6	4 piece	Fig. 1
R402003750	M8	4 piece	
R402003751	M10	4 piece	Fig. 1
R402003752	M12	4 piece	Fig. 2

## Technical information

Material	
Material	Stainless steel

## Dimensions

Fig. 1

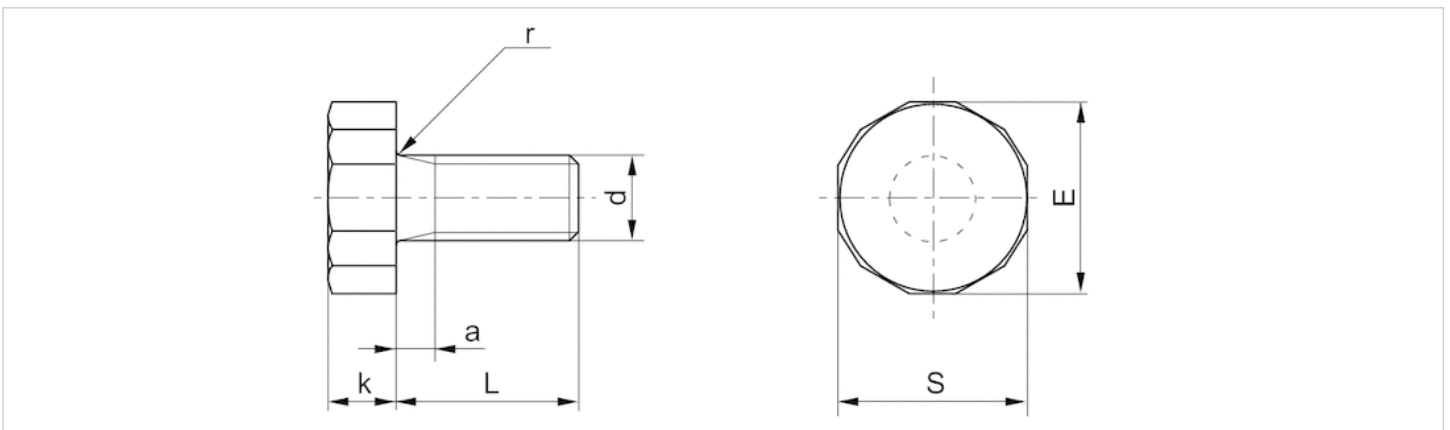
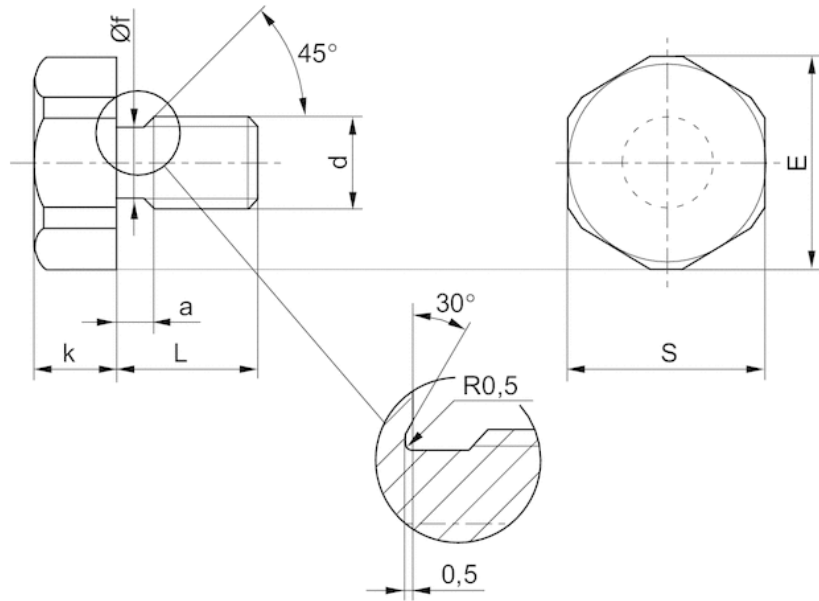


Fig. 2



Dimensions in mm

Part No.	a	d	E	k	L	S	r	
R402003749	3	M6	14	5.3	16	13	0.7	Fig. 1
R402003750	3	M8	18	6.4	17	16	0.7	Fig. 1
R402003751	4	M10	24	7,9	8.8	15	21	Fig. 2
R402003752	4	M12	30	9,5	11.5	18	27	Fig. 2

# Efficient pneumatic solutions, our program: cylinders and drives, valves and valve systems, air supply management



Visit us: [Emerson.com/Aventics](https://www.emerson.com/aventics)

Your local contact: [Emerson.com/contactus](https://www.emerson.com/contactus)



[Emerson.com](https://www.emerson.com)



[Facebook.com/EmersonAutomationSolutions](https://www.facebook.com/EmersonAutomationSolutions)



[LinkedIn.com/company/Emerson-Automation-Solutions](https://www.linkedin.com/company/Emerson-Automation-Solutions)



[Twitter.com/EMR\\_Automation](https://twitter.com/EMR_Automation)

An example configuration is depicted on the title page. The delivered product may thus vary from that in the illustration. Subject to change. This Document, as well as the data, specifications and other information set forth in it, are the exclusive property of AVENTICS GmbH. It may not be reproduced or given to third parties without its consent. Only use the AVENTICS products shown in industrial applications. Read the product documentation completely and carefully before using the product. Observe the applicable regulations and laws of the respective country. When integrating the product into applications, note the system manufacturer's specifications for safe use of the product. The data specified only serve to describe the product. No statements concerning a certain condition or suitability for a certain application can be derived from our information. The information given does not release the user from the obligation of own judgment and verification. It must be remembered that the products are subject to a natural process of wear and aging.

The Emerson logo is a trademark and service mark of Emerson Electric Co. Brand logotype are registered trademarks of one of the Emerson family of companies. All other marks are the property of their respective owners. © 2017 Emerson Electric Co. All rights reserved.  
2023-10-19



**CONSIDER IT SOLVED™**