

**Specifications**

For other materials or modifications, please consult TESCOM.

**OPERATING PARAMETERS**

Pressure rating per criteria of ANSI/ASME B31.3

<p><b>Inlet Pressure Ranges</b> See Part Number Selector</p> <p><b>Design Proof Pressure</b> 150% of maximum pressure</p> <p><b>Operating Temperature<sup>1</sup></b> -15°F to 140°F / -26°C to 60°C</p> <p><b>Flow Capacity</b> C<sub>v</sub> = 0.2</p> <p><b>Internal Leakage</b> Bubble-tight</p>
--

**MEDIA CONTACT MATERIALS**

<p><b>Body</b> Nickel-plated Aluminum or 316 Stainless Steel</p> <p><b>Seat</b> ETFE (Tefzel®), PCTFE, PTFE or Polyimide (Vespel®)</p> <p><b>O-Rings</b> Ethylene Propylene, Nitrile, Buna-N, FKM (Viton®-A) or FFKM, Perfluoroelastomer (Kalrez®)</p> <p><b>Remaining Parts</b> 300 Series Stainless Steel or Aluminum</p>
---

**OTHER**

<p><b>Cleaning</b> CGA 4.1 and ASTM G93</p> <p><b>Connections</b> 1/4" NPTF or SAE inlet and outlet ports</p> <p><b>Weight</b> <b>Aluminum:</b> 0.5 lbs / 0.2 kg <b>Stainless Steel:</b> 1 lbs / 0.5 kg</p>
---

<sup>1</sup> For extended temperatures from -40°F to 204°F / -40°C to 96°C, consult TESCOM.  
Viton®, Vespel®, Kalrez® and Tefzel® are registered trademarks of E.I. du Pont de Nemours and Company.



TESCOM BB-3 is a high pressure, low flow, miniature backpressure regulator. Six control pressure ranges are available up to 1200 psig / 83 bar outlet. This regulator can be used for hydraulic or pneumatic service and is small and compact, weighing approximately 4 oz / 0.11 kg in the standard Aluminum construction (316 Stainless Steel also available).

**Applications**

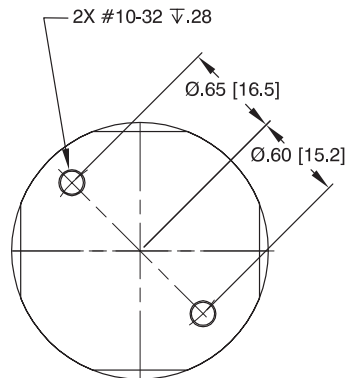
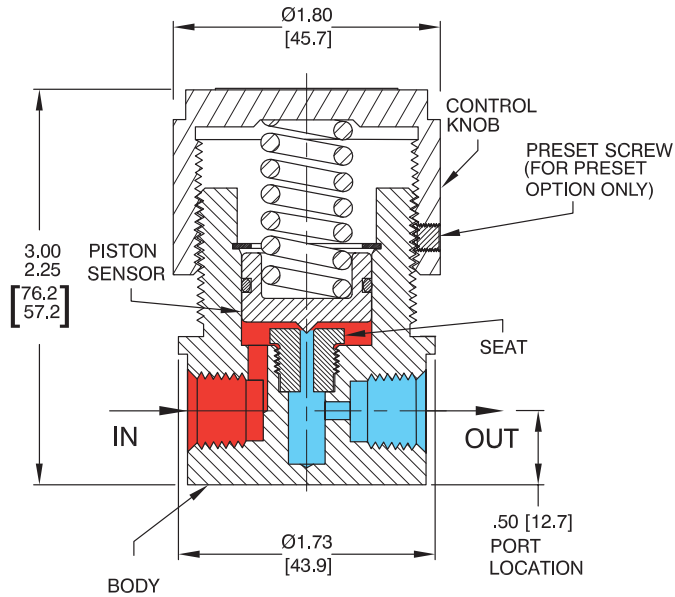
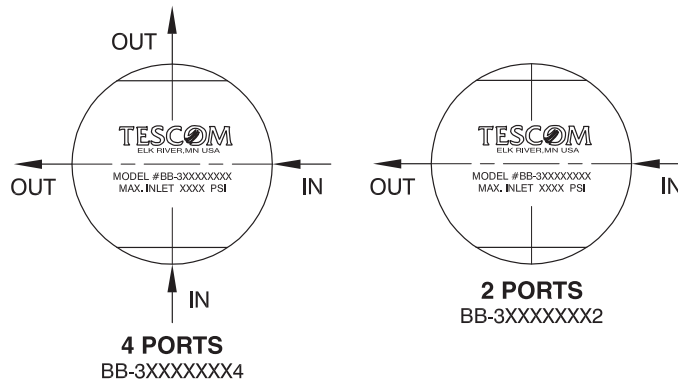
- Portable equipment
- OEM equipment

**Features and Benefits**

- Economical and extremely compact
- Durable piston sensor design
- High flow capacity
- High temperature version (up to 204°F / 96°C)
- Close pressure differential between crack and reseal
- Bubble-tight shutoff at all reseating pressures
- Six control pressure ranges

# BB-3 SERIES

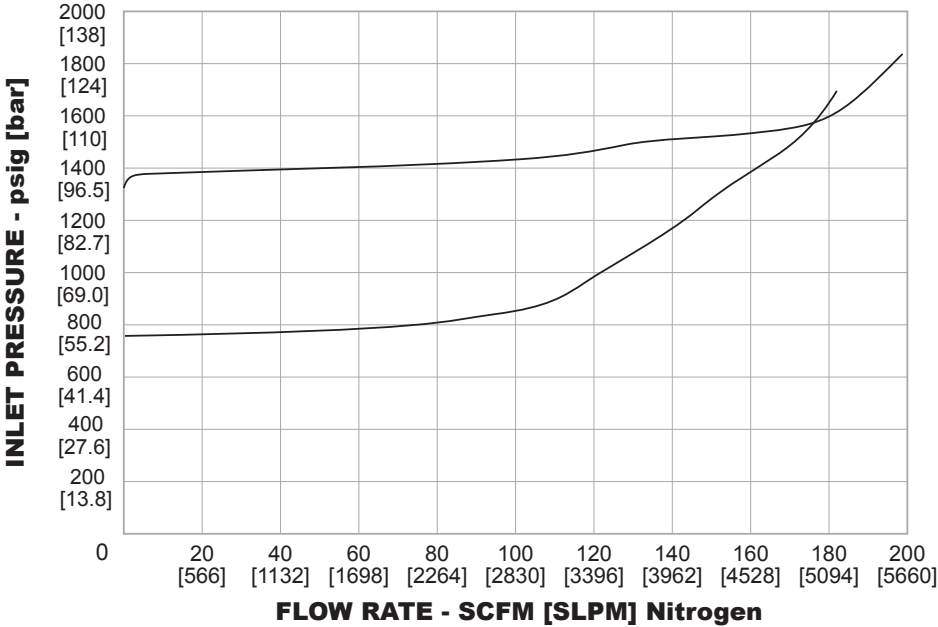
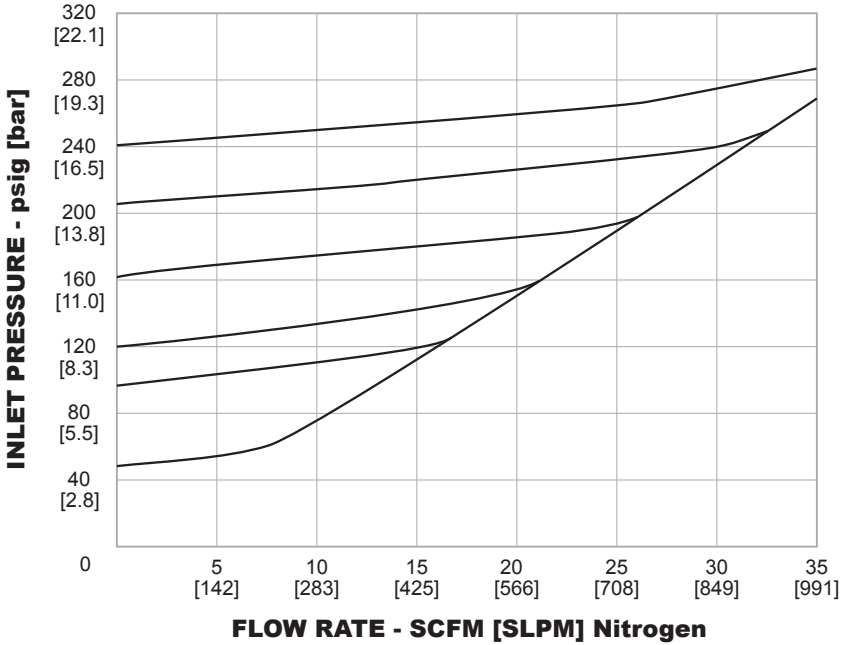
## BB-3 Series Regulator Drawing



All dimensions are reference & nominal  
Metric [millimeter] equivalents are in brackets

BB-3 Series Regulator Flow Charts

For more information on how to read flow curves, please refer to the Flow Curves and Calculations document (debul2007x012) in the TESCO catalog or on www.tescom.com.



# BB-3 SERIES

## BB-3 Series Regulator Part Number Selector



**Learn more about common options.**

For modifications, repair kits and accessories, contact factory.

Example for selecting a part number:

BB -	3	3	A	L1		K	E	A4							
				BASIC SERIES	FUNCTION			BODY MATERIAL	LOAD TYPE	INLET PRESSURE RANGES		SEAT MATERIAL	O-RING SEAL	PORTING	NUMBER OF PORTS
										ADJUSTABLE	PRESET				
BB	3 – Backpressure	3 – Nickel-plated Aluminum (Spring Load only) 6 – 316 Stainless Steel	A – Adjustable P – Preset D – Dome Load (250 psig / 17.2 bar* maximum reference pressure)	L1 – 0-80 psig 0-5.5 bar L2 – 0-140 psig 0-9.7 bar L3 – 0-220 psig 0-15.2 bar H1 – 0-700 psig 0-48.3 bar H2 – 0-1200 psig 0-82.7 bar D1 – 0-250 psig 0-17.2 bar*	0-80 psig 0-5.5 bar 80-140 psig 5.5-9.7 bar 140-220 psig 9.7-15.2 bar 220-700 psig 15.2-48.3 bar 700-1200 psig 48.3-82.7 bar Dome Load Only	A – ETFE (Tefzel®) K – PCTFE V – Polyimide (VespeI®) T – PTFE (250 psig / 17.2 bar maximum inlet pressure)	E – Ethylene Propylene N – Nitrile, Buna-N S – Special V – FKM (Viton®-A) K – FFKM, Perfluoroelastomer (Kalrez®)	A4 – 1/4" NPTF B4 – 1/4" SAE B2 – 1/4" SAE A2 – 1/4" NPTF	4 4 2 2						

\*3000 psig / 207 bar available, please consult factory.