

ASCO™ Biodiesel Oil Shutoff Valves

Brass or Stainless Steel Bodies | Direct Acting | Normally Closed | 1/8" to 3/8" NPT

2/2
SERIES
262
263

Features

- 2-way normally closed operation
- For control of commercial and industrial oil burners
- Rated for Biodiesel blends up to B100
- Direct lift with resilient soft seating for tight shutoff
- Brass and stainless steel constructions
- Mountable in any position

Fluid

No. 2, B20 & B100 Fuel Oil at 60 SSU

No. 4 Fuel Oil at 300 SSU

Construction

| Valve Parts in Contact with Fluids | | |
|------------------------------------|----------------------|-------------------------|
| Body | Brass | 303/304 Stainless Steel |
| Seals and Disc | FKM | |
| Core Tube | 305 Stainless Steel | |
| Core and Plugnut | 430F Stainless Steel | |
| Springs | 302 Stainless Steel | |
| Shading Coil | Copper | Silver |

Electrical

| Standard Coil and Class of Insulation | Watt Rating and Power Consumption | | | Ambient Temp. °F | Spare Coil Family | |
|---------------------------------------|-----------------------------------|------------|-----------|------------------|-------------------|-----------------|
| | AC | | | | General Purpose | Explosion Proof |
| | Watts | VA Holding | VA Inrush | | AC | AC |
| F | 6.1 | 16 | 30 | 5 to 131 | 238210 | 238214 |
| H | 6.1 | 16 | 30 | 5 to 140 | 238410 | 238414 |
| F | 9.1 | 25 | 40 | 5 to 131 | 238210 | 238214 |
| H | 9.1 | 25 | 40 | 5 to 140 | 238410 | - |
| F | 10.1 | 25 | 50 | 5 to 131 | 238610 | 238614 |
| H | 10.1 | 25 | 50 | 5 to 140 | 238810 | - |
| F | 17.1 | 40 | 70 | 5 to 131 | 238610 | 238614 |
| H | 17.1 | 40 | 70 | 5 to 140 | 238810 | 238814 |

Standard Voltages: 24, 120, 240 volts AC, 60 Hz (or 110, 220 volts AC, 50 Hz).

Optional High Ambient Temp: 140 °F Class H coil with prefix HT.

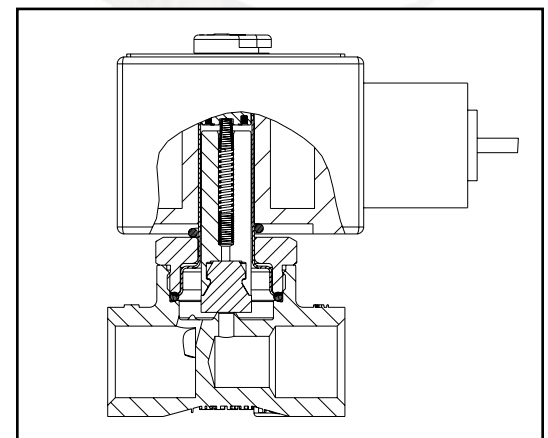
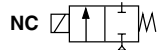
125 °F with explosion proof, prefix EF

Solenoid Enclosures

Standard: Watertight, Types 1, 2, 3, 3S, 4, and 4X with 1/2" conduit hub.

Optional: RedHat II - Explosion proof and Watertight. To order, add Prefix "EF" to catalog numbers. (e.g. EF8262G011V1V)

For UL 428B biodiesel standard use Suffix "V1V" to order



Options

Mounting bracket (suffix MB)

Panel mount (prefix GP for conduit; consult ASCO for other electrical connections)

Approvals

UL certified to:

- Standard 429 "Electrically Operated Valves." Guide YIOZ/YIOZ2, File MP618 Safety Shutoff Valves.
- Standard 428B, "Electrically Operated Valves For Diesel Fuel, Biodiesel Fuel, Diesel/Biodiesel Blends With Nominal Biodiesel Concentrations Up To 20 Percent (B20), Biodiesel (B100), Kerosene, and Fuel Oil
- Additional for Prefix "EF": Standard 1203 "Electrically Operated Valves for Hazardous Locations." Guide YTSX, File E25549.

CSA Certified to:

- Standard C22.2 No. 139 "Electrically Operated Valves," File 010381 Safety Shutoff Valves.
- Additional for Prefix "EF": Standard C22.2 No. 30 and 25 "Electrically Operated Valves for Hazardous Locations", File 13976.

Specifications (English units)

| Pipe Size (in) | Orifice Size (in) | Cv Flow Factor | Operating Pressure Differential (psi) | | | Catalog Number | | Const. Ref. | Agency | | Wattage | Approx. Shipping Weight (lbs) |
|---|-------------------|----------------|---------------------------------------|-----------------------------------|------------------------|----------------|-----------------|-------------|--------|-----|---------|-------------------------------|
| | | | Min. | Max. | | Brass | Stainless Steel | | UL | CSA | | |
| | | | | #2, B20 & B100 Fuel Oil at 60 SSU | #4 Fuel Oil at 300 SSU | | | | | | | |
| COMBUSTION (Fuel Oil) - NORMALLY CLOSED | | | | | | | | | | | | |
| 1/8 | 3/64 | 0.06 | 0 | 750 | 725 | 8262H001V1V | 8262H012V1V | 1 | ○ | ○ | 6.1 | 2.3 |
| 1/8 | 3/32 | 0.21 | 0 | 350 | 325 | 8262H011V1V | 8262H017V1V | 1 | ○ | ○ | 9.1 | 2.3 |
| 1/8 | 1/8 | 0.35 | 0 | 180 | 120 | 8262H002V1V | 8262H006V1V | 1 | ○ | ○ | 6.1 | 2.3 |
| 1/4 | 3/32 | 0.21 | 0 | 350 | 270 | 8262H021V1V | 8262H088V1V | 2 | ○ | ○ | 9.1 | 2.4 |
| 1/4 | 1/8 | 0.35 | 0 | 230 | 150 | 8262H023V1V | 8262H127V1V | 2 | ○ | ○ | 9.1 | 2.4 |
| 1/4 | 7/32 | 0.73 | 0 | 100 | 100 | 8262H208V1V | 8262H226V1V | 3 | ○ | ○ | 10.1 | 2.4 |
| 3/8 | 1/8 | 0.35 | 0 | 230 | 140 | 8263H003V1V | 8263H004V1V | 4 | ○ | ○ | 9.1 | 2.5 |
| 3/8 | 7/32 | 0.73 | 0 | 100 | 100 | 8263H206V1V | 8263H332V1V | 5 | ○ | ○ | 17.1 | 2.5 |

○ = Safety Shutoff Valve.

Specifications (Metric units)

| Pipe Size (in) | Orifice Size (mm) | Kv Flow (m3/hr) | Operating Pressure Differential (bar) | | | Catalog Number | | Const. Ref. | Agency | | Wattage | Approx. Shipping Weight (Kg) |
|---|-------------------|-----------------|---------------------------------------|-----------------------------------|------------------------|----------------|-----------------|-------------|--------|-----|---------|------------------------------|
| | | | Min. | Max. | | Brass | Stainless Steel | | UL | CSA | | |
| | | | | #2, B20 & B100 Fuel Oil at 60 SSU | #4 Fuel Oil at 300 SSU | | | | | | | |
| COMBUSTION (Fuel Oil) - NORMALLY CLOSED | | | | | | | | | | | | |
| 1/8 | 1.2 | 0.05 | 0 | 52 | 50 | 8262H001V1V | 8262H012V1V | 1 | ○ | ○ | 6.1 | 1.0 |
| 1/8 | 2.4 | 0.18 | 0 | 24 | 22 | 8262H011V1V | 8262H017V1V | 1 | ○ | ○ | 9.1 | 1.0 |
| 1/8 | 3.1 | 0.30 | 0 | 12 | 8 | 8262H002V1V | 8262H006V1V | 1 | ○ | ○ | 6.1 | 1.0 |
| 1/4 | 2.4 | 0.50 | 0 | 24 | 19 | 8262H021V1V | 8262H088V1V | 2 | ○ | ○ | 9.1 | 1.1 |
| 1/4 | 3.2 | 0.30 | 0 | 16 | 10 | 8262H023V1V | 8262H127V1V | 2 | ○ | ○ | 9.1 | 1.1 |
| 1/4 | 5.5 | 0.63 | 0 | 7 | 7 | 8262H208V1V | 8262H226V1V | 3 | ○ | ○ | 10.1 | 1.1 |
| 3/8 | 3.1 | 0.30 | 0 | 16 | 10 | 8263H003V1V | 8263H004V1V | 4 | ○ | ○ | 9.1 | 1.1 |
| 3/8 | 5.5 | 0.63 | 0 | 7 | 7 | 8263H206V1V | 8263H332V1V | 5 | ○ | ○ | 17.1 | 1.1 |

○ = Safety Shutoff Valve.

Capabilities Chart

| Solenoid Options | | | Base Catalog Number | | Standard Rebuild Kit | |
|------------------|------------|---------------------------|---------------------|-----------------|----------------------|-----------------|
| NEMA Type 3-9 | High Temp. | Wiring Box Screw Terminal | Brass | Stainless Steel | Brass | Stainless Steel |
| EF | HT | JKF | 8262H001V1V | 8262H012V1V | 323581-V1V | 323583-V1V |
| EF | HB | JKP | 8262H011V1V | 8262H017V1V | 323581-V1V | 323583-V1V |
| EF | HT | JKF | 8262H002V1V | 8262H006V1V | 323581-V1V | 323583-V1V |
| EF | HB | JKP | 8262H021V1V | 8262H088V1V | 323581-V1V | 323583-V1V |
| EF | HB | JKP | 8262H023V1V | 8262H127V1V | 323581-V1V | 323583-V1V |
| EF | HT | JKF | 8262H208V1V | 8262H226V1V | 323593-V1V | 323595-V1V |
| EF | HB | JKP | 8263H003V1V | 8263H004V1V | 323581-V1V | 323583-V1V |
| EF | HB | JKP | 8263H206V1V | 8263H332V1V | 323593-V1V | 323595-V1V |

ASCO™ Biodiesel Oil Shutoff Valves

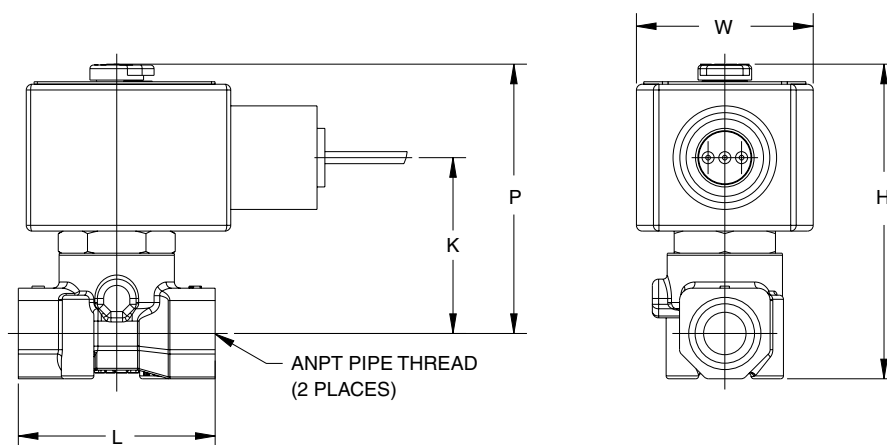
Brass or Stainless Steel Bodies | Direct Acting | Normally Closed | 1/8" to 3/8" NPT

2/2
SERIES
262
263

Dimensions inches (mm)

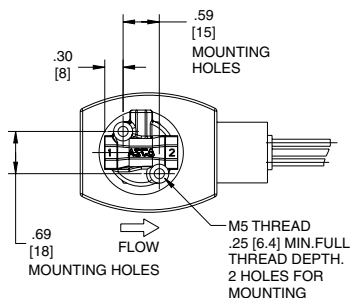
| Const. Ref. | | H | K | L | P | W |
|-------------|----|------|------|------|------|------|
| 1 | in | 2.85 | 1.60 | 1.19 | 2.50 | 1.69 |
| | mm | 72 | 41 | 30 | 63 | 43 |
| 2 | in | 2.96 | 1.72 | 1.56 | 2.60 | 1.69 |
| | mm | 75 | 44 | 40 | 66 | 43 |
| 3 | in | 3.12 | 1.79 | 1.56 | 2.76 | 1.95 |
| | mm | 79 | 45 | 40 | 70 | 50 |
| 4 | in | 3.01 | 1.68 | 1.88 | 2.57 | 1.69 |
| | mm | 76 | 43 | 48 | 65 | 43 |
| 5 | in | 3.20 | 1.79 | 1.88 | 2.77 | 1.95 |
| | mm | 81 | 45 | 48 | 70 | 50 |

Const. Ref. 1-5

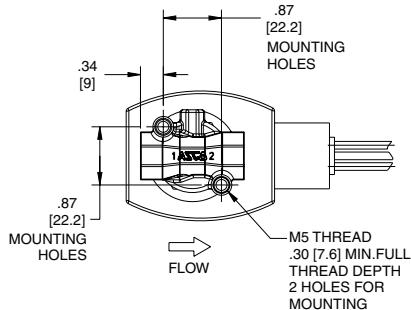


Mounting Dimensions

Const. Ref. 1
(1/8" Pipe)



Const. Ref. 2, 3
(1/4" Pipe)



Const. Ref. 4, 5
(3/8" Pipe)

