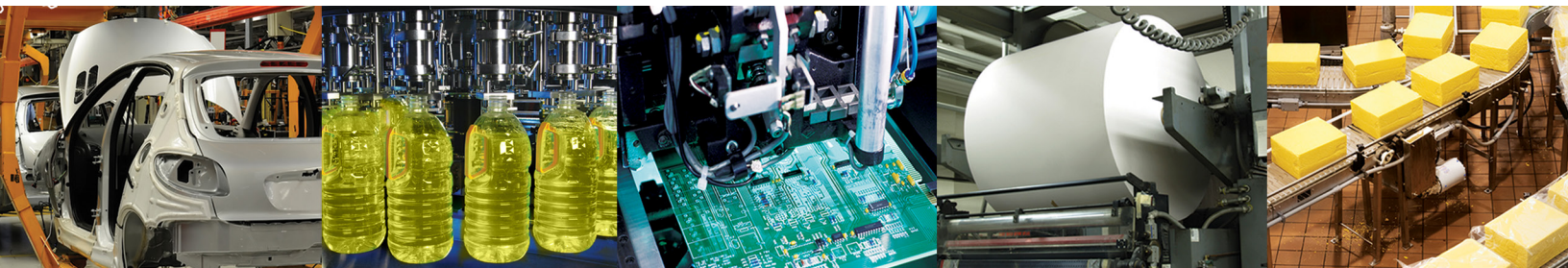


# Sentronic<sup>LP</sup> IO-Link CLASS A | 617 Series

Proportional Technology



**Sentronic<sup>LP</sup> Electronic Pressure Regulator**

**1/4 to 1/2 tapped body or 1/4 subbase mounted body**

Sentronic<sup>LP</sup> is a low power, pilot operated electronic proportional valve.



Fluids	Ambient Temperature	Body	Internal Parts	Seals
Air or neutral gas, filtered at 50 µm condensate-free, lubricated or unlubricated, class 5 according to ISO 8573-1:2010 [7:4:4]	0 °C to 50 °C (32 °F to 122 °F)	Aluminum	POM (polyacetal)	NBR (nitrile)

General Valve Information	
Fluid Temperature	0 °C to 60 °C (32 °F to 140 °F)
Minimum Required Pressure	At least 15 psi above the maximum outlet pressure
Pressure Range	0 – 50 psi, 0 – 100 psi, 0 – 150 psi
Setpoint	<b>PSI Pressure Ranges:</b> PA & PB (50 & 100 psi ranges): in digital steps of 0.01 psi PC (150 psi range): in digital steps of 0.1 psi <b>Bar Pressure Ranges:</b> All: in digital steps of 0.001 bar
Hysteresis	1.5% of span
Linearity	1.5% of span
Repeatability	1.5% of span
Minimum Setpoint	0.5% of span with shut-off function
Minimum Outlet Pressure	1% of span
Failsafe Behavior	Pressure hold on loss of power, without control

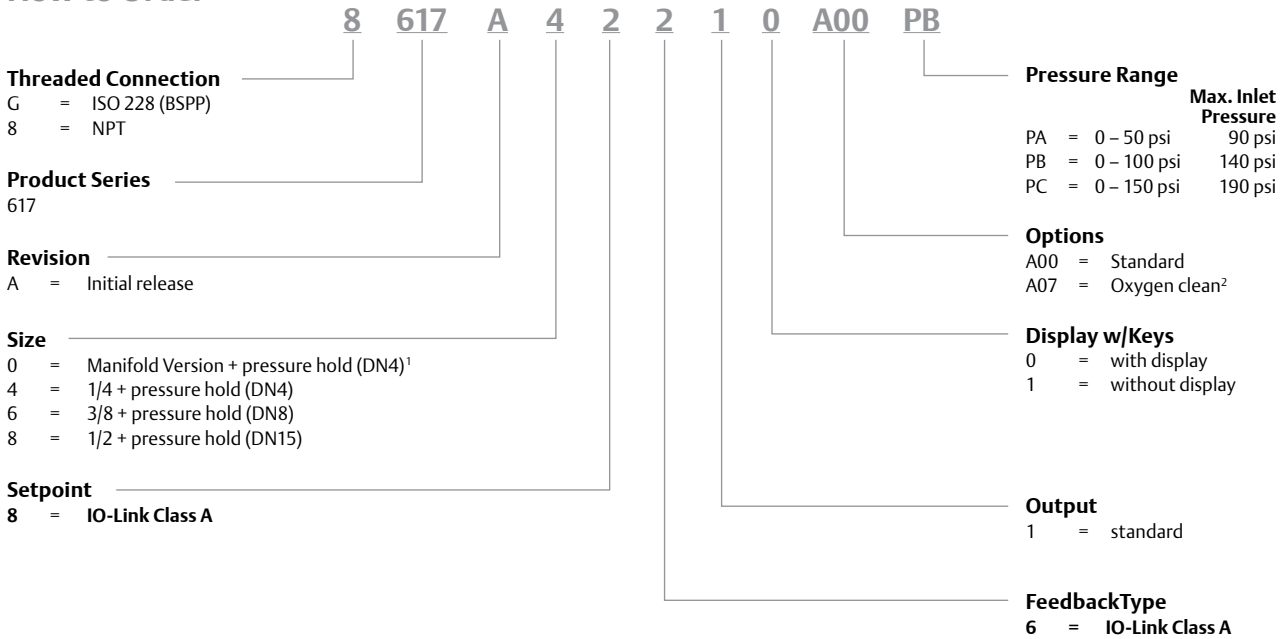
IO-LINK	
Protocol Version	Specification V1.1
Baudrate	COM3 (230.4 kBaud)
Minimum cycle time	0.5 ms
Process data	2 Byte IN, 2 Byte OUT
Port type	Class A

Electrical Characteristics						
Nominal Diameter DN (mm)	Voltage *	Max. Power (W)	Max. Current (mA)	Insulation Class	Degree of Protection	Electrical Connection
4, 8, 15	24 VDC = ± 10%	3.8 W (< 1 W at pressure)	160	H	IP65	5-pin M12 connector (not supplied)

\* Max. ripple: 10%

Specifications			
Ø Ports NPT or BSPP	Ø Orifice DN (mm)	Flow	
		C <sub>v</sub> Flow Factor (K <sub>v</sub> , Nm <sup>3</sup> /h)	at 6 Bar (l/min - ANR)
1/4	4	0.50 (0.43)	470
3/8	8	1.39 (1.20)	1300
1/2	15	5.57 (4.80)	5200

How to Order



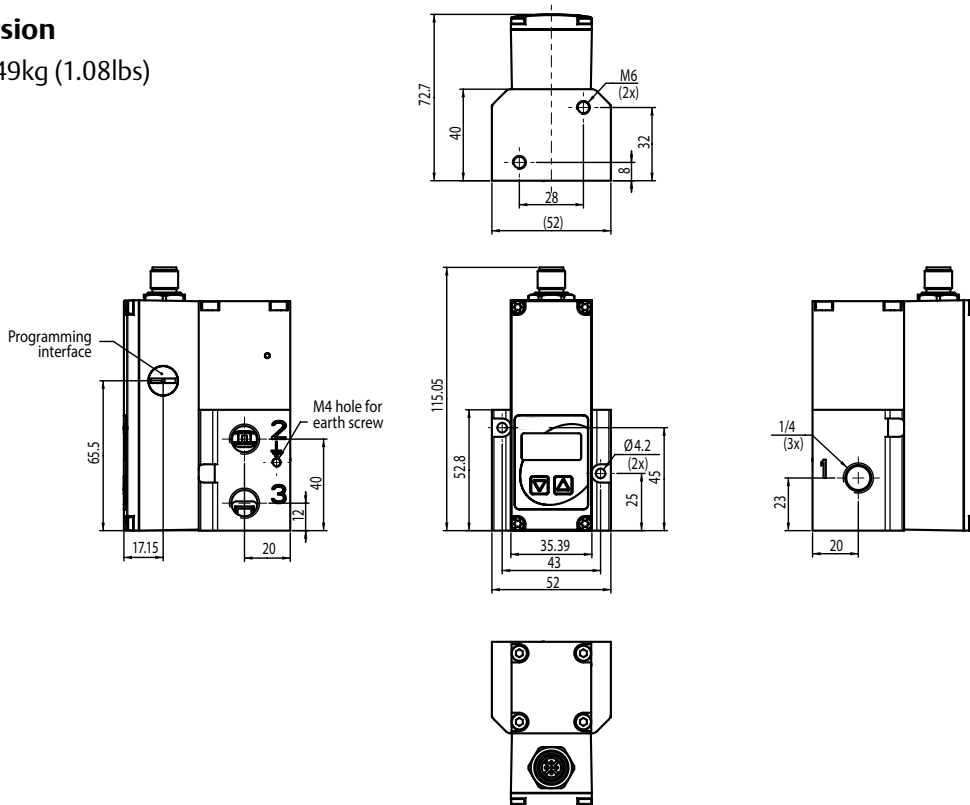
<sup>1</sup> See Accessories for individual subbases for this Manifold Version  
<sup>2</sup> Only possible with size 1/4 (DN4)

Dimensions: mm (inches)

DN 4

Inline version

Weight: 0.49kg (1.08lbs)

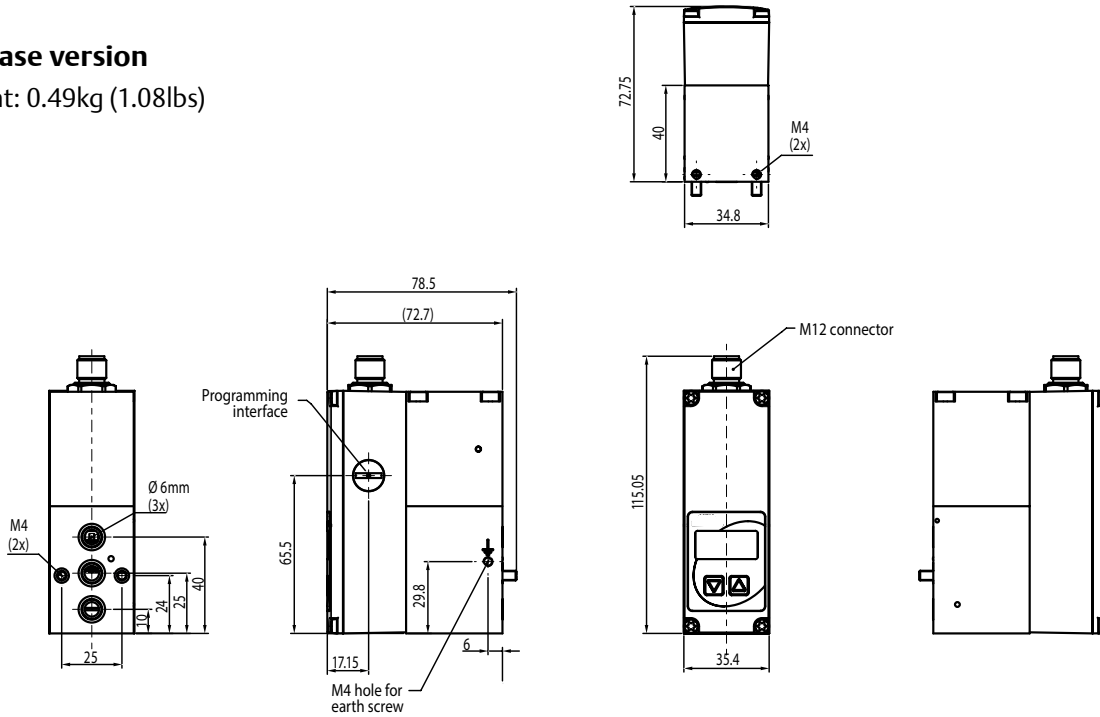


Dimensions: mm

**DN 4**

**Subbase version**

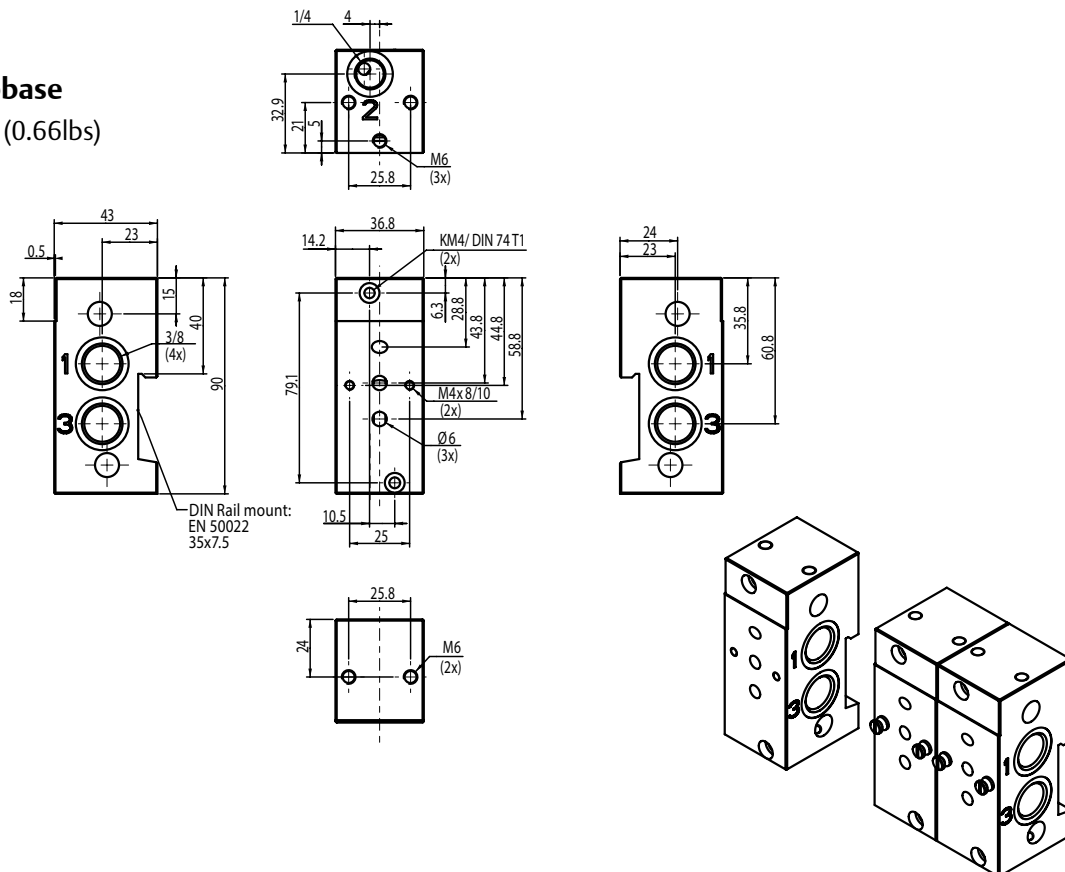
Weight: 0.49kg (1.08lbs)



**DN 4**

**Joinable subbase**

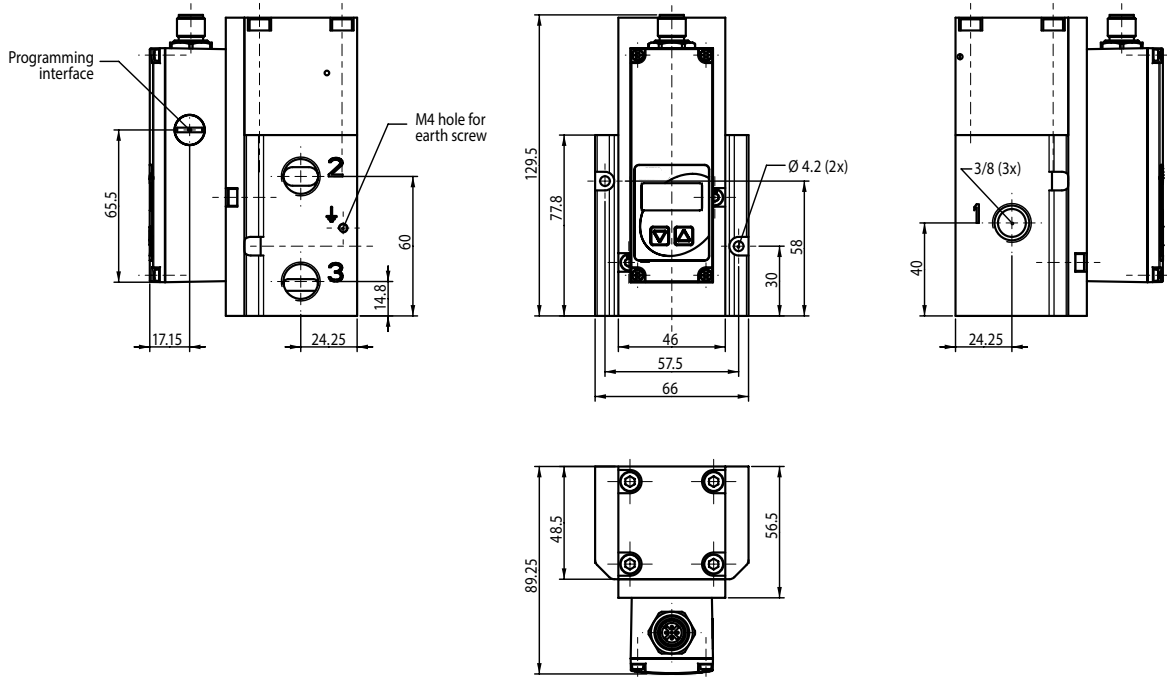
Weight: 0.3kg (0.66lbs)



Dimensions: mm

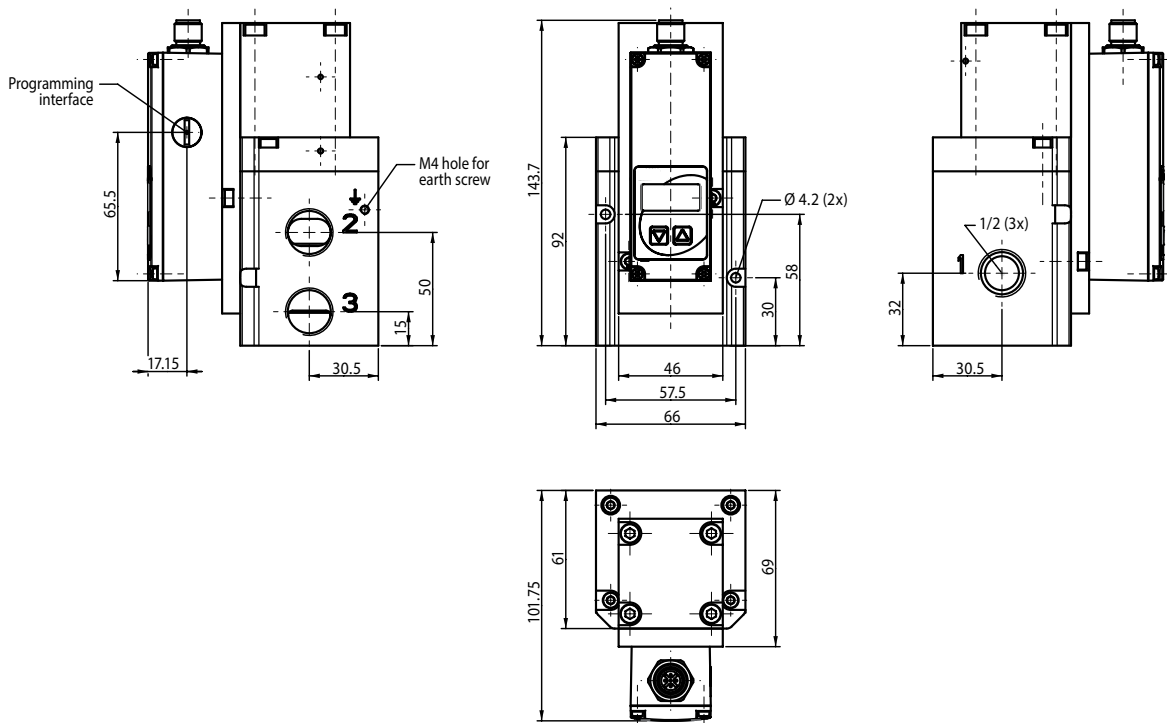
**DN 8**

Weight: 0.93kg (2.05lbs)

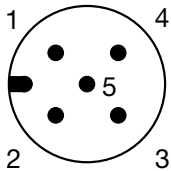


**DN 15**

Weight: 1.33kg (2.93lbs)



Connector Pin Out / Cable Wiring



View from soldering side

Pin	Description
1	24 VDC voltage supply
2	not connected
3	Supply common
4	C/Q
5	not connected
Body	EMC screen

M12 Class A & B Compatible Cables\* and Accessories



M12 Straight 5 Pin Female Single Ended Cable - Unshielded	
TC0505MIE000071P	– 5 Meter
TC0510MIE000071P	– 10 Meter



M12 Straight 5 Pin Female to Male Double Ended Cable - Unshielded	
TC0505MIETA0571P	– 5 Meter
TC0510MIETA0571P	– 10 Meter



M12 90° 5 Pin Female Single Ended Cable - Unshielded	
TD0505MIE000071P	– 5 Meter
TD0510MIE000071P	– 10 Meter



M12 90° 5 Pin Female to Male Double Ended Cable - Unshielded	
TD0505MIETA0571P	– 5 Meter
TD0510MIETA0571P	– 10 Meter

Manifold (individual subbases that join together)	
Manifold for 617 DN4 with pressure supply/exhaust 3/8 NPT & output 1/4 NPT <sup>1</sup>	N50781800200000
Manifold for 617 DN4 with pressure supply/exhaust G3/8 & output G1/4 (BSPP) <sup>1</sup>	N50781800000000

<sup>1</sup> Manifold ships with required hardware and gaskets for connecting manifolds together.

\*Reference our G3 Fieldbus catalog for M12 4 pin cables if the selected IO-Link® Master does not accept 5 pin cables. Maximum IO-Link cable length is 20m.