



YARWAY CONDENSASER™ SERIES STEAM CONDENSATE PUMPS - PACKAGED ASSEMBLIES

TECHNICAL BULLETIN

GENERAL APPLICATION

Yarway CondenSaver™ Series Condensate Return Pumps are designed to return condensate efficiently and economically to the boiler feedwater tank without the use of electrical energy. See FCDS-20103-EN for technical information on the CondenSaver™ Series Steam Condensate Pump.

MATERIAL

- Carbon Steel Receiver Tank
- Carbon Steel Pump Tank
- Stainless Steel Pump Internals
- Stainless Steel Check Valves

RECEIVER OPTIONS

- Level Gauge
- Insulation Jacket
- Safety Valve
- Process Trap for Pressurized Applications

TABLE 1. CONDENSATE RECEIVER TECHNICAL DATA

MODEL NAME	SIZE	MAXIMUM FLASH RATE		RATING
		lb/hr	kg/hr	
Barrel	25 gal (95 L)	900	408	ASME Rated to 125 psi (8.6 bar) at 400°F (204°C)
Hogshead	65 gal (246 L)	1600	726	
Puncheon	80 gal (303 L)	2000	907	
Butt	125 gal (473 L)	3000	1361	
Tun	250 gal (946 L)	6000	2722	

YARWAY CONDENSATER™ SERIES STEAM CONDENSATE PUMPS - PACKAGED ASSEMBLIES

TECHNICAL BULLETIN

FIGURE 1
Packaged Assembly Dimensions

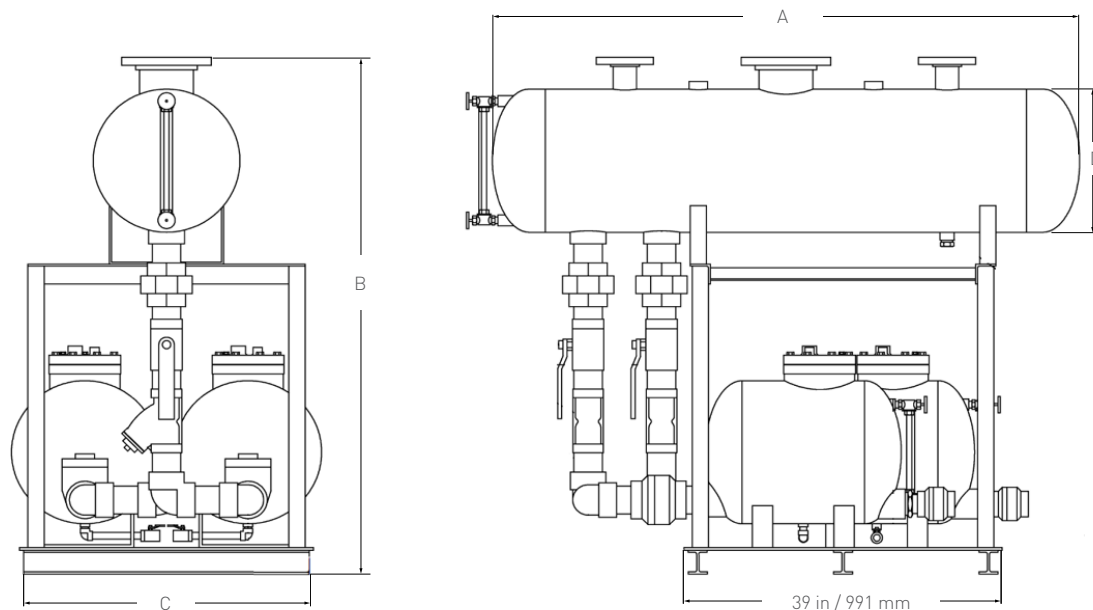


TABLE 2. PACKAGED ASSEMBLY APPROXIMATE DIMENSIONS AND WEIGHT

PUMP	NUMBER OF PUMPS	RECEIVER SIZE	A		B		C		D		APPROXIMATE WEIGHT		SIZING INFORMATION
			In.	mm	In.	mm	In.	mm	In.	mm	lbs	kg	
SCP21	Simplex	Barrel	56	1422	45	1143	27	686	12.8	325	450	204	NPS 1.5 x 1.5 (DN 40 x 40) 6 in. / 152 mm filling head
		Hogshead	66	1676	50	1270	36	914	18	457	700	318	
	Duplex	Barrel	56	1422	58	1473	27	686	12.8	325	600	272	
SCP25 SCP33	Simplex	Hogshead	66	1676	64	1625	27	686	18	457	650	295	NPS 3 x 2 (DN 80 x 50) For SCP25: 20 in. / 508 mm filling head For SCP33: 12 in. / 305 mm filling head
		Puncheon	68	1727	66	1676	36	914	20	508	1150	522	
	Duplex	Puncheon	68	1727	66	1676	----	----	20	508	----	----	
		Butt	72	1829	72	1829	----	----	24	609	----	----	
		Tun	88	2235	78	1981	----	----	30	762	----	----	

FCBL-20125-EN © 2024 Emerson Electric Co. All rights reserved 06/24. Yarway is a mark owned by one of the companies in the Emerson Automation Solutions business unit of Emerson Electric Co. The Emerson logo is a trademark and service mark of Emerson Electric Co. All other marks are the property of their prospective owners.

The contents of this publication are presented for informational purposes only and while every effort has been made to ensure their accuracy, they are not to be construed as warranties or guarantees, express or implied, regarding the products or services described herein or their use or applicability. All sales are governed by our terms and conditions, which are available upon request. We reserve the right to modify or improve the designs or specifications of such products at any time without notice.

Emerson Electric Co. does not assume responsibility for the selection, use or maintenance of any product. Responsibility for proper selection, use and maintenance of any Emerson Electric Co. product remains solely with the purchaser.

Emerson.com