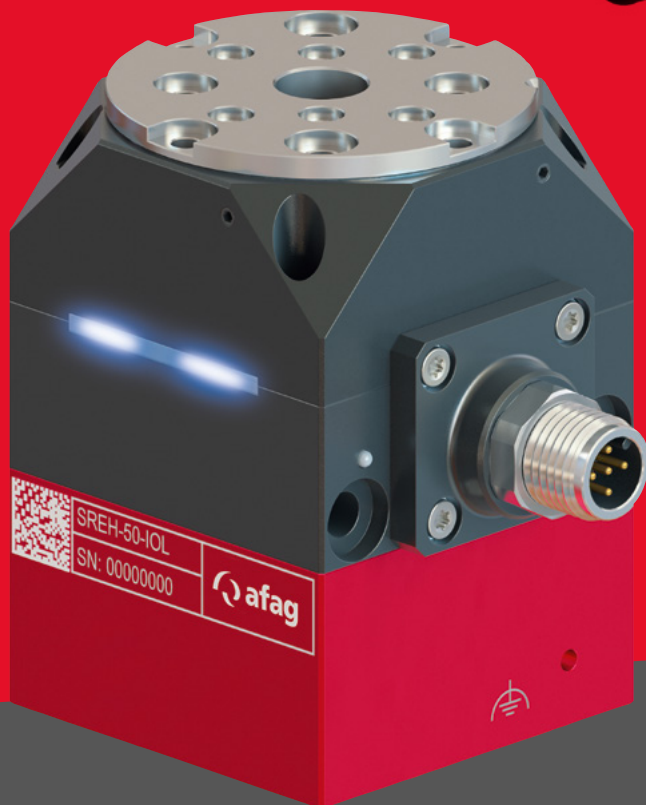




# SREH-50-10L

More than Motion.

Yesterday. Today. Tomorrow.



**A WORLD'S FIRST**  
#smartrotarymodule  
**SREH-50-10L**

# SREH-50-IOL

The new smart rotary module

## ARE YOU READY FOR THE NEXT LEVEL?

### Highly flexible with integrated controller and IO link

The SREH-50-IOL electric smart rotary module features an integrated controller. The simple wiring with just one connecting cable allows the user to easily integrate it into their system. The IO link technology ensures the energy supply of the module and transmits the signals to the customer's PLC.

- › Integrated controller
- › IO link communications interface
- › Simple integration
- › Freely programmable
- › Integrated embedded technology



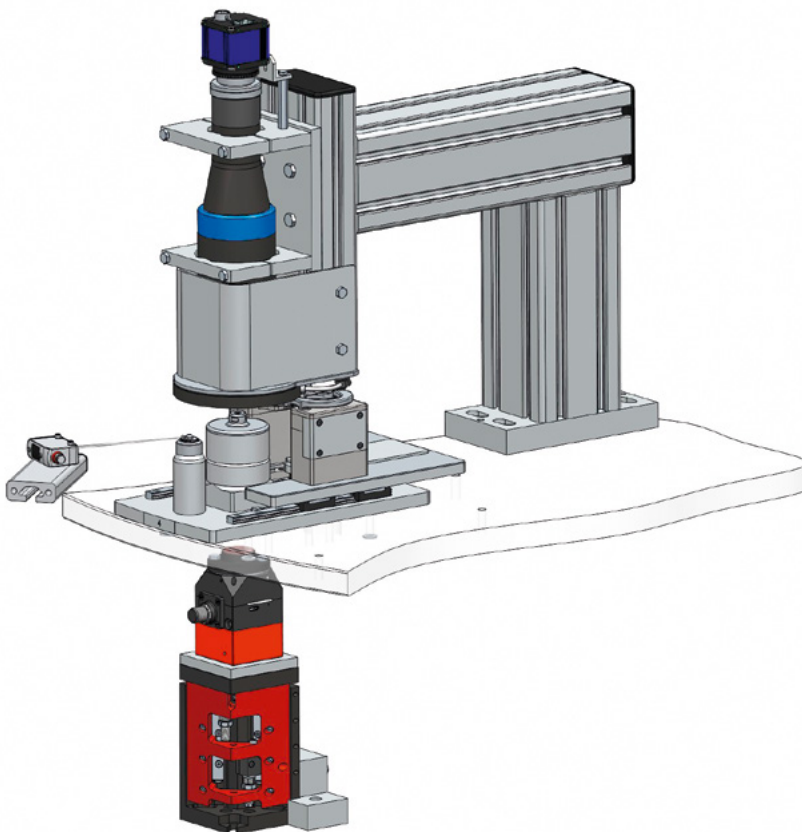
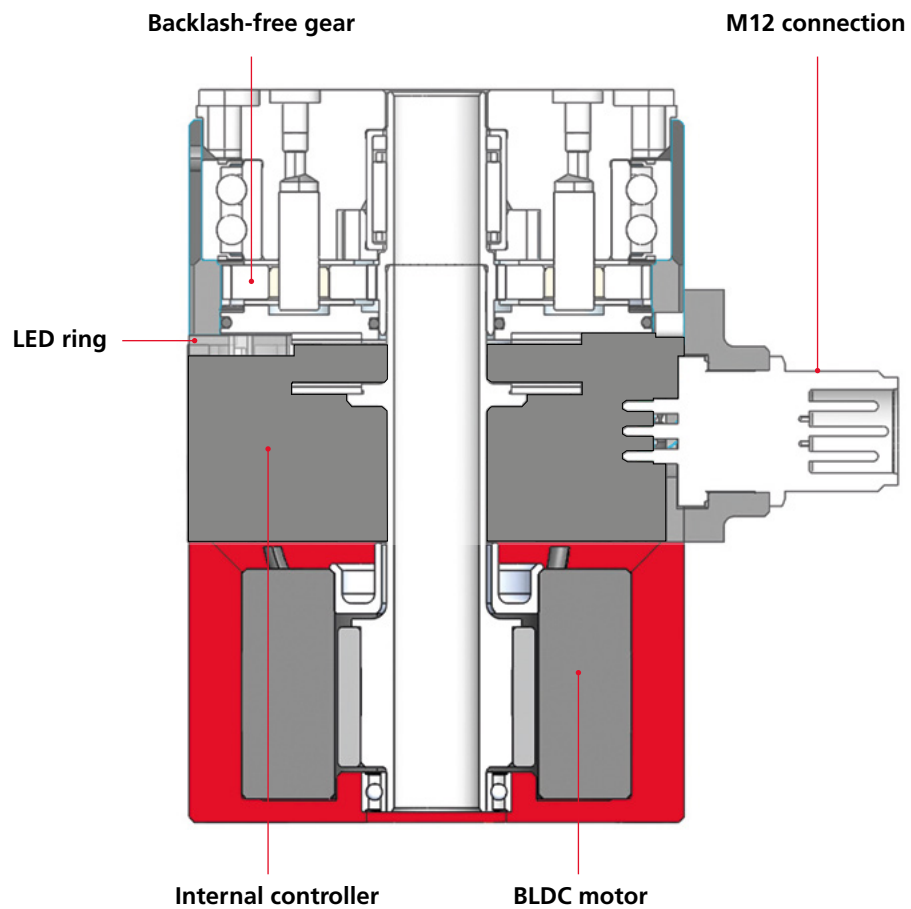
# OUR VISION



## Intelligent ideas for smart applications

In recent years, Afag's research and development department has developed additional knowledge and set up an embedded technologies team. In this case, embedded technology means that a data processor embedded into the application assumes the function of a controller. This technology is known as field programmable gate array (FPGA). It is based on a programmable logic block into which a logic circuit can be loaded. This allows high-precision rotations to be controlled. Thanks to the IO link, the simple wiring makes the integration into the user's system easier and saves space in the control cabinet. This forward-looking investment is now paying: As the industry's impulse provider, Afag is redefining the world of automation with its SREH-50-IOL smart rotary module with integrated controller. The SREH-50-IOL is truly unique on the market and the first member of a new generation of Afag modules that will blaze a trail for many others to follow.

[#smartrotarymodule](#) [#embeddedtechnology](#) [#iolink](#)



| Technical data                | Art. No. 50503985   |
|-------------------------------|---|
| Repeat accuracy               | $\pm 0.015^\circ$   |
| Movement time for $180^\circ$ | 80 ms   |
| Max. idle speed               | $716 \text{ min}^{-1}$  |
| Max. torque                   | 0.9 Nm  |
| Continuous torque             | 0.45 Nm   |
| Max. mass inertia             | $15 \cdot 10^{-4} \text{ kgm}^2$  |
| Max. current                  | 5 A peak  |
| Continuous current standstill | 2.5 A   |
| Hollow shaft                  | $\varnothing 8.5 \text{ mm}$  |
| Dimensions                    | 50 x 50 x 75 mm   |
| Dead weight                   | 0.6 kg  |
| De-energized multiturn        | 4-fold  |
| Status display                | LED ring  |
| Simple assembly option        | Coordinated (Afag hole pitch)   |
| Communication                 | IO link:<br>Communication speeds<br>230.4 kBaud port class B, 24 VDC              |
| Connector cable               | Connector cable with elbow and straight connectors available in different lengths |

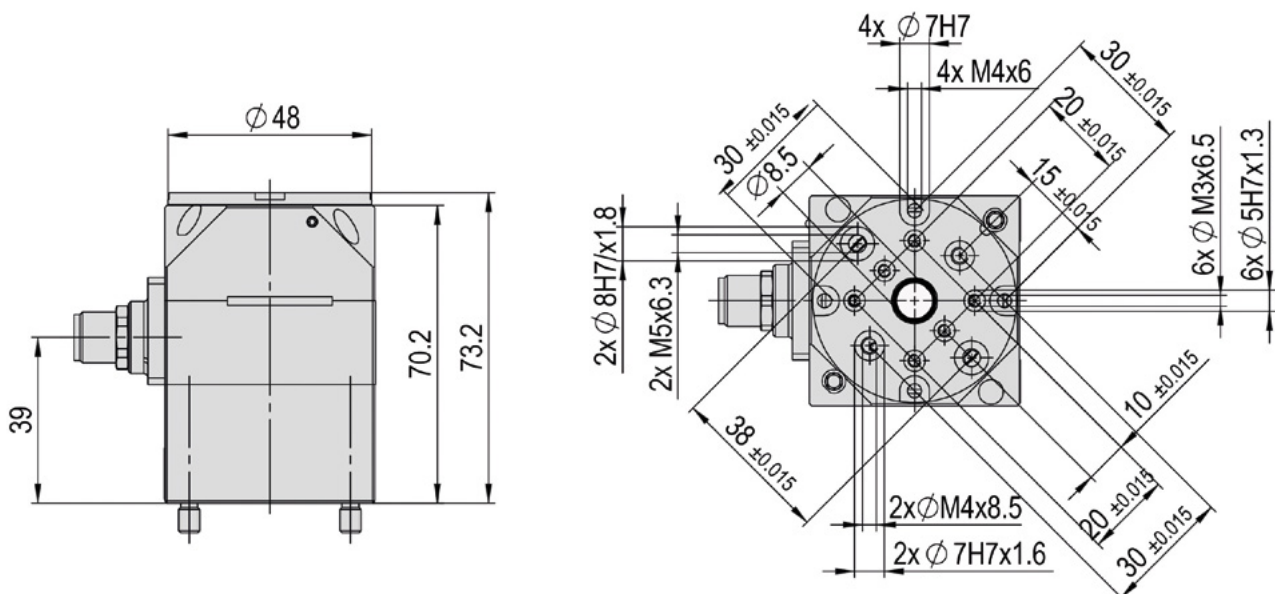


All information and technical details on the SREH-50-IOL smart rotary module

With the specified test parameters\*, the SREH-50-IOL smart rotary module is well-suited for use in clean rooms of the following air cleanliness class in accordance with ISO 14644-1.

\* Installation position: vertical, payload: none, maximum speed:  $v_{\text{max}} = 3000^\circ / \text{s}$ , acceleration factor: 100%

Air cleanliness class 6





**Afag Automation AG**

Luzernstrasse 32  
6144 Zell  
Switzerland

T +41 62 959 86 86  
sales@afag.com

**Afag GmbH**

Wernher-von-Braun-Straße 1  
92224 Amberg  
Germany

T +49 9621 650 27-0  
sales@afag.com

**Afag Engineering GmbH**

Gewerbestraße 11  
78739 Hardt  
Germany

T +49 7422 560 03-0  
sales@afag.com

**Afag Automation North America**

**Schaeff Machinery & Services LLC.**

820 Fessler's Parkway, Suite 210  
Nashville, TN 37210  
USA

T +1 (615) 730-7515  
nashville@afag.com

**Afag Automation APAC**

**Afag Automation Technology (Shanghai) Co., Ltd.**

Room 102, 1/F, Bldg. 56, City Of Elite  
No.1000, Jinhai Road, Pudong New District  
Shanghai, 201206  
China

T +86 021 58958065  
shanghai@afag.com

V01/2022

