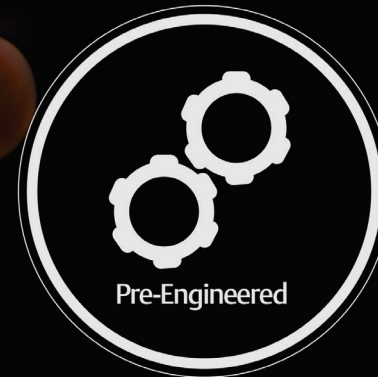




Modular Control



Bettis™ VOS-PAC™

Preset, Pre-Designed, Pre-Engineered Actuation Package



Table of Contents

Section 1	What is Your VOS-PAC Number?.....	3-10
	VOS-PAC Overview	4
	How to Get Your VOS-PAC Number?.....	5
	Torque Selection Guide.....	6
	Control Type Selection Guide.....	9
Section 2	Step by Step to Your Technical Data.....	11-26
	CBx-Series.....	13
	G-Series.....	17
	RPE-Series.....	23
Section 3	Components and Dimensions.....	27-30
	Electrical Control Component Details	28
	Envelope Dimensions and Weights Data.....	29

SECTION 1

What is Your VOS-PAC Number?

What is VOS-PAC™?

Valve Operating Systems (VOS™) are used in almost every energy related industry, including oil and gas transmission, petrochemical and refineries. Other significant markets include chemical, power industry including pulp and paper, food and beverage, pharmaceutical, HVAC and water systems.

Bettis™ VOS-PAC is a pre-engineered and cataloged turnkey solution that includes a pneumatic actuator, air filter regulator, solenoid valve, limit switch, positioner, as well as required hardware.

All related documentation including installation manuals, quick service guides, and drawings are available before you even order.



24/7 Online Databook



www.emerson.com/VOSbyBettis

Instant quotes, pricing and quicker deliveries are made possible with this standardized package.

Everything the end-user needs to **maintain and operate** their actuation package is accessible in any remote location by easily scanning a QR Code with your unique serial number.

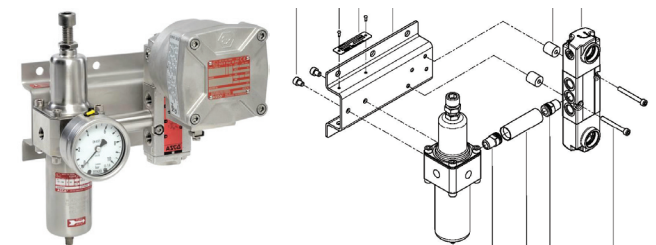
Why Bettis?



Engineered by Bettis
Built and Tested by Bettis
Backed by Bettis

True Modular Control System

- Fully engineered and tested solution for onshore and offshore services
- Fast configuration, installation and commissioning
- Easy to maintain and repair with standardized design
- Every part can be disassembled and replaced easily by taking off for maintenance and repairs.



What is Your VOS-PAC number?

SCOTCH YOKE

- CONTROL TYPE **A** Spring Return - Shutdown for Small Torque Range
- CONTROL TYPE **B** Spring Return - Shutdown for Large Torque Range
- CONTROL TYPE **C** Spring Return - Shutdown with Smart Positioner
- CONTROL TYPE **D** Spring Return - Fast Shutdown through Quick Exhaust Valve
- CONTROL TYPE **E** Double Acting - Shutdown for Small Torque Range
- CONTROL TYPE **F** Double Acting - Shutdown for Large Torque Range

60psig
80psig

Spring Return / Double Acting

- CBx-Series
- G-Series (Size G01 to G10)

1/4"
1/2"
1/2" Pilot Valve
1/2" DVC
1/2" VB
1/2" DVC

3/4" VB
1/2" DVC
1" VB
1/2" 1/4" QEV
1/2" 3/4" QEV
1/2" 1/2" QEV

STEP 1

Choose Supply Pressure

STEP 2

Select Actuator Model

STEP 3

Select Control Type

STEP 4

Select Control System Size

STEP 5

Select Required Certification

Your VOS-PAC Number

60psig
80psig

Spring Return / Double Acting

- RPE-Series (Size 25 to 4000)

1/4"

- CONTROL TYPE **G** Spring Return - Shutdown for Small Torque Range
- CONTROL TYPE **H** Spring Return - Shutdown for Large Torque Range
- CONTROL TYPE **I** Double Acting - Shutdown

ATEX / IECEx
UL/FM/CSA
PED (ATEX / IECEx)

RACK & PINION

Note: Configurations can be subjected to some late customization depending on project needs
Not all options are available in all sizes for cataloged products

QUICK LINKS »

Table of Contents

VOS-PAC Number Guide

CBx-Series

G-Series

RPE-Series

Torque Values at 60 psig, G & CBx-Series Actuators

Double Acting Actuator Models							
SN	Model	Inboard (lbf.in) At Max (60 psig)			Outboard (lbf.in) At Max (60 psig)		
		ABTO (lbf.in)	ARTO (lbf.in)	AETO (lbf.in)	ABTC (lbf.in)	ARTC (lbf.in)	AETC (lbf.in)
1	CBB315	997	533	1013	976	533	1035
2	CBB420	2312	1190	2207	2147	1190	2379
3	CBB525	4388	2350	4537	4427	2350	4497
4	CBB725	8874	4721	9113	8953	4721	9033
5	CBA730	10880	5787	11141	10946	5787	11074
6	G01010	20079	10718	20060	20279	10823	20259
7	G2012	35102	18663	35073	35344	18790	35316
8	G3014	51745	27481	51721	52204	27722	52181
9	G3016	68694	36401	68663	69154	36641	69122
10	G4016	83077	44033	83018	83882	44454	83822
11	G4020	132880	70212	132785	133685	70633	133590
12	G5020	170647	90147	170591	172498	91115	172442
13	G5024	250062	131802	249980	251913	132770	251831
14	G5028	353198	186356	353082	355049	187324	354933
15	G7028	431952	228175	431843	434829	229681	434720
16	G8036	850936	448459	850811	856029	451123	855903
17	G8040	1054329	555210	1054174	1059421	557875	1059266
18	G10040	1378540	726154	1378239	1387883	731043	1387580

Spring Return Actuator Models							
SN	Model	Air Torque Output (lbf.in)			Spring Torque (lbf.in) At Max (60 psig)		
		ABTO (lbf.in)	ARTO (lbf.in)	AETO (lbf.in)	ABTC (lbf.in)	ARTC (lbf.in)	AETC (lbf.in)
1	CBB315-SR60(CW)	521	226	327	520	216	303
2	CBB415-SR60 (CW)	1000	419	601	977	416	605
3	CBB420-SR60 (CW)	1336	505	652	1215	494	667
4	CBB520-SR60 (CW)	2095	812	1085	1921	794	1106
5	CBB525-SR60 (CW)	2458	1036	1494	2389	977	1374
6	CBB725-SR60 (CW)	4967	2041	2899	5078	2062	2918
7	CBA730-SR60 (CW)	6456	2607	3618	6406	2541	3478
8	CBA930-SR60 (CW)	11688	4401	5619	11419	4185	5208
9	G01009-SR4 (CW)	4426	2053	2803	11180	5570	9550
10	G01010-SR4 (CW)	9318	4650	7690	11107	5551	9478
11	G01012-SR4 (CW)	17960	9216	16324	10996	5522	9366
12	G2014-SR4 (CW)	24345	11671	19183	21241	9972	16081
13	G3016-SR2 (CW)	29167	12532	17777	47338	22023	35940
14	G3016-SR4 (CW)	37812	17857	29044	36065	16845	27298
15	G4020-SR2 (CW)	58464	22828	29112	97445	43438	68065
16	G4020-SR4 (CW)	78602	36484	59070	67466	30486	47941
17	G5024-SR4 (CW)	143815	61291	86752	152431	65620	95365
18	G5028-SR2 (CW)	204758	84255	111337	226135	95092	132708
19	G5028-SR4 (CW)	243761	113526	186665	150783	64156	93717
20	G7028-SR4 (CW)	226769	86007	107284	305075	127662	185570
21	G7032-SR4 (CW)	357905	156577	238386	304256	127442	184751
22	G8036-SR3 (CW)	458285	202445	311704	503479	225523	356890
23	G10040-SR4 (CW)	732161	278515	314480	1007498	421555	589757

Torque Values at 80 psig, G & CBx-Series Actuators

Double Acting Actuator Models							
SN	Model	Inboard (lbf.in) At Max (80 psig)			Outboard (lbf.in) At Max (80 psig)		
		ABTO (lbf.in)	ARTO (lbf.in)	AETO (lbf.in)	ABTC (lbf.in)	ARTC (lbf.in)	AETC (lbf.in)
1	CBB315	1357	720	1370	1329	720	1399
2	CBB420	3129	1603	2972	2905	1603	3203
3	CBB525	5929	3161	6103	5981	3161	6049
4	CBB725	11939	6332	12223	12045	6332	12115
5	CBA730	14644	7763	14948	14733	7763	14857
6	G01010	27001	14351	26974	27267	14490	27240
7	G2012	47126	24969	47088	47449	25138	47411
8	G3014	69439	36758	69407	70052	37079	70020
9	G3016	92098	48666	92055	92711	48987	92668
10	G4016	111391	58873	111311	112465	59435	112384
11	G4020	177939	93817	177812	179013	94378	178885
12	G5020	228482	120445	228408	230950	121736	230875
13	G5024	334503	176020	334393	336971	177311	336861
14	G5028	472598	248911	472443	475066	250201	474911
15	G7028	578109	304802	577964	581946	306810	581799
16	G8036	1137870	598806	1137703	1144660	602358	1144492
17	G8040	1409400	741230	1409193	1416190	744782	1415982
18	G10040	1842906	969475	1842503	1855363	975994	1854958

Spring Return Actuator Models							
SN	Model	Air Torque Output (lbf.in)			Spring Torque (lbf.in) At Max (80 psig)		
		ABTO (lbf.in)	ARTO (lbf.in)	AETO (lbf.in)	ABTC (lbf.in)	ARTC (lbf.in)	AETC (lbf.in)
1	CBB315-SR60 (CW)	845	401	662	520	216	303
2	CBB415-SR60 (CW)	1599	733	1192	977	416	605
3	CBB420-SR60 (CW)	2087	893	1355	1215	494	667
4	CBB520-SR60 (CW)	3275	1421	2196	1921	794	1106
6	CBB525-SR60 (CW)	3875	1791	2933	2389	977	1374
8	CBB725-SR60 (CW)	7783	3543	5757	5078	2062	2918
9	CBA730-SR60 (CW)	10017	4509	7219	6406	2541	3478
10	CBA930-SR60 (CW)	17634	7607	11627	11419	4185	5208
11	G01009-SR4 (CW)	9478	4722	7850	11180	5570	9550
12	G01010-SR4 (CW)	16025	8180	14391	11107	5551	9478
13	G01012-SR4 (CW)	27586	14265	25940	10996	5522	9366
14	G2014-SR4 (CW)	38520	19147	33347	21241	9972	16081
15	G3016-SR2 (CW)	51846	24516	40446	47338	22023	35940
16	G3016-SR4 (CW)	60492	29814	51714	36065	16845	27298
17	G4020-SR2 (CW)	102130	46088	72747	97445	43438	68065
18	G4020-SR4 (CW)	122268	59493	102704	67466	30486	47941
19	G5024-SR4 (CW)	225644	104142	168554	152431	65620	95365
20	G5028-SR2 (CW)	320465	144875	227007	226135	95092	132708
21	G5028-SR4 (CW)	359468	174508	302335	150783	64156	93717
22	G7028-SR4 (CW)	368406	161971	248885	305075	127662	185570
23	G7032-SR4 (CW)	543531	254449	423966	304256	127442	184751
24	G8036-SR3 (CW)	736345	349013	589722	503479	225523	356890
25	G10040-SR4 (CW)	1182165	514311	764386	1007498	421555	589757

Torque Values at 60 and 80 psig, RPE-Series Actuators

Double Acting Actuator Models				
Model	Sizing Pressure (psig)	BTO (lbf.in)	Sizing Pressure (psig)	BTO (lbf.in)
RPED0025-NU00CWALTN-L11SKB-00XX	60	165	80	220
RPED0040-NU00CWALTN-L14SKB-00XX	60	309	80	413
RPED0065-NU00CWALTN-L14SKB-00XX	60	471	80	630
RPED0100-NU00CWALTN-L19SKB-00XX	60	696	80	931
RPED0150-NU00CWALTN-L19SKB-00XX	60	1115	80	1492
RPED0200-NU00CWALTN-L22SKB-00XX	60	1527	80	2042
RPED0350-NU00CWALTN-L27SKB-00XX	60	2653	80	3547
RPED0600-NU00CWALTN-L27SKB-00XX	60	4508	80	6028
RPED0950-NU00CWALTN-L36SKB-00XX	60	6832	80	9137
RPED1600-NU00CWALTN-L46SKB-00XX	60	11449	80	15312
RPED2500-NU00CWALTN-L46SKB-00XX	60	17741	80	23727
RPED4000-NU00CWALTN-Q55SKB-00XX	60	28794	80	38510

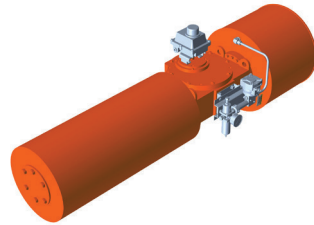
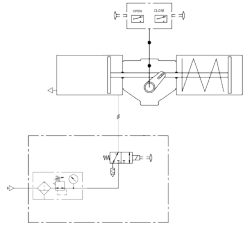
Spring Return Actuator Models										
Model	Sizing Pressure (psig)	BTO (lbf.in)	ETO (lbf.in)	BTC (lbf.in)	ETC (lbf.in)	Sizing Pressure (psig)	BTO (lbf.in)	ETO (lbf.in)	BTC (lbf.in)	ETC (lbf.in)
RPES0025-NU30CWALTN-L11SKB-00XX	60	107	67	94	59	80	166	126	94	59
RPES0040-NU30CWALTN-L14SKB-00XX	60	201	128	174	110	80	312	239	174	110
RPES0065-NU30CWALTN-L14SKB-00XX	60	303	188	271	171	80	471	356	271	171
RPES0100-NU30CWALTN-L19SKB-00XX	60	452	287	392	248	80	701	536	392	248
RPES0150-NU30CWALTN-L19SKB-00XX	60	730	464	625	393	80	1129	862	625	393
RPES0200-NU30CWALTN-L22SKB-00XX	60	989	621	867	547	80	1535	1166	867	547
RPES0350-NU30CWALTN-L27SKB-00XX	60	1735	1104	1485	936	80	2683	2052	1485	936
RPES0600-NU30CWALTN-L27SKB-00XX	60	2935	1853	2543	1601	80	4546	3464	2543	1601
RPES0950-NU30CWALTN-L36SKB-00XX	60	4523	3076	3211	2054	80	6915	5468	3211	2054
RPES1600-NU30CWALTN-L46SKB-00XX	60	7605	4999	5506	3422	80	11614	9008	5506	3422
RPES2500-NU30CWALTN-L46SKB-00XX	60	12424	8635	7822	4791	80	18543	14847	7822	4791
RPES4000-NU30CWALTN-Q55SKB-00XX	60	19967	14197	12550	7934	80	30050	24280	12550	7934

CONTROL TYPE SELECTION GUIDE

Scotch Yoke VOS-PAC Modular Control Configurations

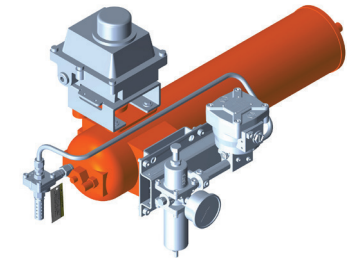
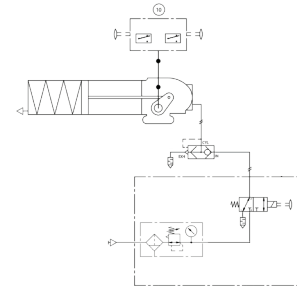
CONTROL TYPE A Spring Return
Shutdown for Small Torque Range

P	SR	M	FR	SV	1oo1	X	X
Pneumatic	Spring Return	Modular	Filter Regulator	Solenoid Valve	1 out of 1	X	X



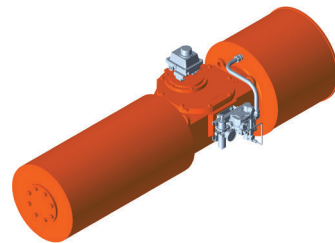
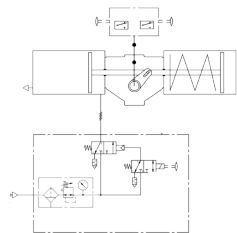
CONTROL TYPE D Spring Return
Fast Shutdown through Quick Exhaust Valve

P	SR	M	FR	SV	1oo1	X	QEV
Pneumatic	Spring Return	Modular	Filter Regulator	Solenoid Valve	1 out of 1	X	Quick Exhaust Valve



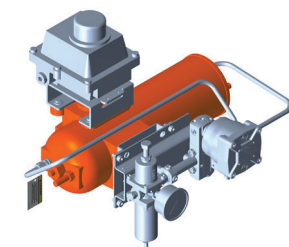
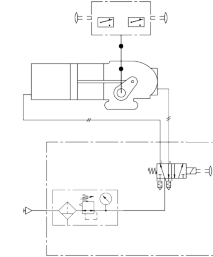
CONTROL TYPE B Spring Return
Shutdown for Large Torque Range

P	SR	M	FR	SV	1oo1	X	PV
Pneumatic	Spring Return	Modular	Filter Regulator	Solenoid Valve	1 out of 1	X	Pilot Valve



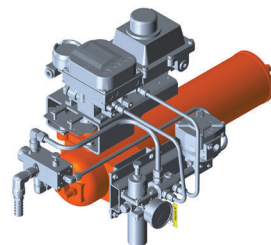
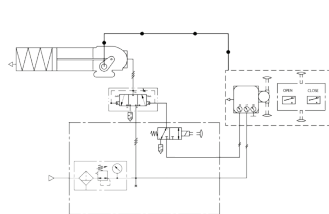
CONTROL TYPE E Double Acting
Shutdown for Small Torque Range

P	DA	M	FR	SV	1oo1	X	X
Pneumatic	Double Acting	Modular	Filter Regulator	Solenoid Valve	1 out of 1	X	X



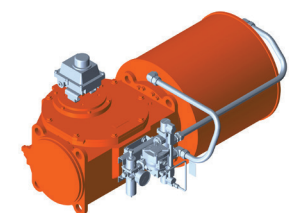
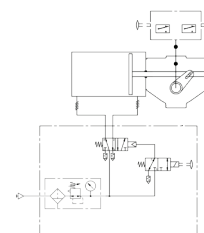
CONTROL TYPE C Spring Return
Shutdown with Smart Positioner

P	SR	M	FR	SV	1oo1	SP	VB
Pneumatic	Spring Return	Modular	Filter Regulator	Solenoid Valve	1 out of 1	Smart Positioner	Volume Booster



CONTROL TYPE F Double Acting
Shutdown for Large Torque Range

P	DA	M	FR	SV	1oo1	X	PV
Pneumatic	Double Acting	Modular	Filter Regulator	Solenoid Valve	1 out of 1	X	Pilot Valve



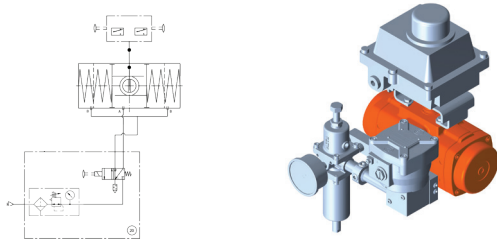
Note: Configurations can be subjected to some late customization depending on project needs

CONTROL TYPE SELECTION GUIDE

Rack and Pinion VOS-PAC Modular Control Configurations

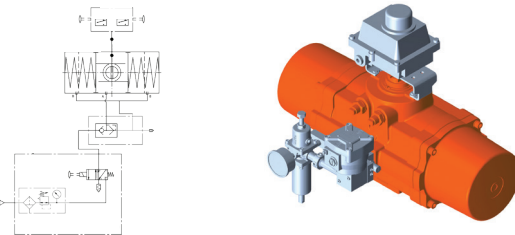
CONTROL TYPE G Spring Return
Shutdown for Small Torque Range

P	SR	M	FR	SV	1oo1	X	X
Pneumatic	Spring Return	Modular	Filter Regulator	Solenoid Valve	1 out of 1	X	X



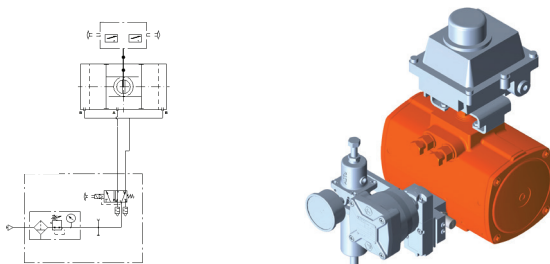
CONTROL TYPE H Spring Return
Shutdown for Large Torque Range

P	SR	M	FR	SV	1oo1	X	BB
Pneumatic	Spring Return	Modular	Filter Regulator	Solenoid Valve	1 out of 1	X	Breather Block



CONTROL TYPE I Double Acting
Shutdown

P	DA	M	FR	SV	1oo1	X	X
Pneumatic	Double Acting	Modular	Filter Regulator	Solenoid Valve	1 out of 1	X	X



Note: Configurations can be subjected to some late customization depending on project needs

SECTION 2

Step by Step to Your Technical Data

Step by Step to Your Technical Data

With the VOS-PAC number, you can reference all assembly and piping drawings from the full catalog.



60 psig	80 psig	Actuator Model	Control Type	Controls Code	Modular Control System Size & Description	Tubing Size	Air Stroke CCW (Sec)	Air Stroke CW (Sec)	VOS-PAC Number Example: VAVOS-PAC-XXXX-XXX			General Assembly Drawing	Page	Piping Schematic	Page
									ATEX /IECEX	UL/FM/CSA	PED				
		G01010	E	P-DA-M-FR-SV-1001-X-X	1/2"	1/2" (.065 WT)	5	4.5	SY118	SY118-NA	SY118-PED	VA-ED-004-8448	126	VA-ED-004-8004	127
		G2012	E	P-DA-M-FR-SV-1001-X-X	1/2"	1/2" (.065 WT)	7.5	6	SY120	SY120-NA	SY120-PED	VA-ED-004-8425	128	VA-ED-004-8012	129
		G3014	E	P-DA-M-FR-SV-1001-X-X	1/2"	1/2" (.065 WT)	10.5	10	SY122	SY122-NA	SY122-PED	VA-ED-004-8384	130	VA-ED-004-8013	131
		G3016	E	P-DA-M-FR-SV-1001-X-X	1/2"	1/2" (.065 WT)	14	12.5	SY124	SY124-NA	SY124-PED	VA-ED-004-8376	132	VA-ED-004-8014	133
		G4016	E	P-DA-M-FR-SV-1001-X-X	1/2"	1/2" (.065 WT)	16.5	16	SY126	SY126-NA	SY126-PED	VA-ED-004-8307	134	VA-ED-004-8015	135
		G4020	E	P-DA-M-FR-SV-1001-X-X	1/2"	1/2" (.065 WT)	26	21	SY128	SY128-NA	SY128-PED	VA-ED-004-8377	136	VA-ED-004-8016	137

Note: Configurations can be subjected to some late customization depending on project needs

CBx-Series Double Acting

Actuator Model	Control Type	Controls Code	Modular Control System Size & Description	Tubing Size	Air Stroke CCW (Sec)	Air Stroke CW (Sec)	VOS-PAC Number Example: VAVOS-PAC-XXXX-XXX			General Assembly Drawing	Page	Piping Schematic	Page
							ATEX /IECEX	UL/FM/CSA	PED				
CBB315	E	P-DA-M-FR-SV-1001-X-X	1/4"	3/8" (.049WT)	1	0.5	SY108	SY108-NA	Not Available	VA-ED-004-8292	32	VA-ED-004-8000	33
CBB420	E	P-DA-M-FR-SV-1001-X-X	1/4"	3/8" (.049WT)	2	1	SY110	SY110-NA		VA-ED-004-8355	34	VA-ED-004-8037	35
CBB525	E	P-DA-M-FR-SV-1001-X-X	1/4"	3/8" (.049WT)	3.5	2	SY112	SY112-NA		VA-ED-004-8433	36	VA-ED-004-8038	37
CBB725	E	P-DA-M-FR-SV-1001-X-X	1/4"	3/8" (.049WT)	5.5	3.5	SY114	SY114-NA		VA-ED-004-8575	38	VA-ED-004-8039	39
CBA730	E	P-DA-M-FR-SV-1001-X-X	1/4"	3/8" (.049WT)	9.5	4	SY116	SY116-NA		VA-ED-004-8580	40	VA-ED-004-8040	41
CBB315	E	P-DA-M-FR-SV-1001-X-X	1/2"	1/2" (.065 WT)	0.5	0.5	SY109	SY109-NA		VA-ED-004-8316	42	VA-ED-004-8003	43
CBB420	E	P-DA-M-FR-SV-1001-X-X	1/2"	1/2" (.065 WT)	1	0.5	SY111	SY111-NA		VA-ED-004-8385	44	VA-ED-004-8025	45
CBB525	E	P-DA-M-FR-SV-1001-X-X	1/2"	1/2" (.065 WT)	2	1	SY113	SY113-NA		VA-ED-004-8388	46	VA-ED-004-8026	47
CBB725	E	P-DA-M-FR-SV-1001-X-X	1/2"	1/2" (.065 WT)	2.5	1.5	SY115	SY115-NA		VA-ED-004-8432	48	VA-ED-004-8027	49
CBA730	E	P-DA-M-FR-SV-1001-X-X	1/2"	1/2" (.065 WT)	4.5	1.5	SY117	SY117-NA		VA-ED-004-8435	50	VA-ED-004-8028	51

CONFIGURATION

CONTROL TYPE	E	Shutdown for Small Torque Range					
P	DA	M	FR	SV	1001	X	X
P	Pneumatic		SV	Solenoid Valve			
DA	Double Acting		1001	1 out of 1			
M	Modular		X	X			
FR	Filter Regulator		X	X			

CBx-Series Double Acting

80
psig

DOUBLE ACTING

Actuator Model	Control Type	Controls Code	Modular Control System Size & Description	Tubing Size	Air Stroke CCW (Sec)	Air Stroke CW (Sec)	VOS-PAC Number Example: VAVOS-PAC-XXXX-XXX			General Assembly Drawing	Page	Piping Schematic	Page
							ATEX /IECEX	UL/FM/CSA	PED				
CBB315	E	P-DA-M-FR-SV-1001-X-X	1/4"	3/8" (.049WT)	1.5	0.5	SY248	SY248-PED	Not Available	VA-ED-004-8292	32	VA-ED-004-8000	33
CBB420	E	P-DA-M-FR-SV-1001-X-X	1/4"	3/8" (.049WT)	2.5	1	SY250	SY250-PED		VA-ED-004-8355	34	VA-ED-004-8037	35
CBB525	E	P-DA-M-FR-SV-1001-X-X	1/4"	3/8" (.049WT)	4	2	SY252	SY252-PED		VA-ED-004-8433	36	VA-ED-004-8038	37
CBB725	E	P-DA-M-FR-SV-1001-X-X	1/4"	3/8" (.049WT)	6.5	3.5	SY254	SY254-PED		VA-ED-004-8575	38	VA-ED-004-8039	39
CBA730	E	P-DA-M-FR-SV-1001-X-X	1/4"	3/8" (.049WT)	11	4.5	SY256	SY256-PED		VA-ED-004-8580	40	VA-ED-004-8040	41
CBB315	E	P-DA-M-FR-SV-1001-X-X	1/2"	1/2" (.065 WT)	0.5	0.5	SY249	SY249-PED		VA-ED-004-8316	42	VA-ED-004-8003	43
CBB420	E	P-DA-M-FR-SV-1001-X-X	1/2"	1/2" (.065 WT)	1	0.5	SY251	SY251-PED		VA-ED-004-8385	44	VA-ED-004-8025	45
CBB525	E	P-DA-M-FR-SV-1001-X-X	1/2"	1/2" (.065 WT)	2	1	SY253	SY253-PED		VA-ED-004-8388	46	VA-ED-004-8026	47
CBB725	E	P-DA-M-FR-SV-1001-X-X	1/2"	1/2" (.065 WT)	3	1.5	SY255	SY255-PED		VA-ED-004-8432	48	VA-ED-004-8027	49
CBA730	E	P-DA-M-FR-SV-1001-X-X	1/2"	1/2" (.065 WT)	5	2	SY257	SY257-PED		VA-ED-004-8435	50	VA-ED-004-8028	51

CONFIGURATION

CONTROL TYPE	E	Shutdown for Small Torque Range	
P	DA	M	FR SV 1001 X X
P	Pneumatic		SV Solenoid Valve
DA	Double Acting		1001 1 out of 1
M	Modular		X X
FR	Filter Regulator		X X

CBx-Series Spring Return

CBx-Series
SPRING RETURN

Actuator Model	Control Type	Controls Code	Modular Control System Size & Description	Tubing Size	Air Stroke CCW (Sec)	Air Stroke CW (Sec)	VOS-PAC Number Example: VAVOS-PAC-XXXX-XXX			General Assembly Drawing	Page	Piping Schematic	Page	
							ATEX /IECEx	UL/FM/CSA	PED					
CBB315-SR60(CW)	A	P-SR-M-FR-SV-1oo1-X-X	1/4"	3/8" (.049WT)	1.5	1	SY001	SY001-NA	Not Applicable	VA-ED-004-7240	52	VA-ED-004-7241	53	
CBB315-SR60(CW)	A	P-SR-M-FR-SV-1oo1-X-X	1/2"	1/2" (.065 WT)	0.5	0.5	SY002	SY002-NA		VA-ED-004-7267	54	VA-ED-004-7268	55	
CBB315-SR60(CW)	C	P-SR-M-FR-SV-1oo1-S-VB	1/2" for DVC with 1/2" VB	1/2" (.065 WT)	0.5	0.5	SY003	SY003-NA		VA-ED-004-8902	56	VA-ED-004-7422	57	
CBB315-SR60(CW)	D	P-SR-M-FR-SV-1oo1-X-QEV	1/4" with 1/4" QEV	3/8" (.049WT)	1.5	0.5	SY004	SY004-NA		VA-ED-004-8566	58	VA-ED-004-7951	59	
CBB415-SR60(CW)	A	P-SR-M-FR-SV-1oo1-X-X	1/4"	3/8" (.049WT)	2	1.5	SY005	SY005-NA		VA-ED-004-7220	60	VA-ED-004-7221	61	
CBB415-SR60(CW)	A	P-SR-M-FR-SV-1oo1-X-X	1/2"	1/2" (.065 WT)	1	1	SY006	SY006-NA		VA-ED-004-7255	62	VA-ED-004-7256	63	
CBB415-SR60(CW)	C	P-SR-M-FR-SV-1oo1-S-VB	1/2" for DVC with 1/2" VB	1/2" (.065 WT)	1	0.5	SY007	SY007-NA		VA-ED-004-8903	64	VA-ED-004-7423	65	
CBB415-SR60(CW)	D	P-SR-M-FR-SV-1oo1-X-QEV	1/4" with 1/4" QEV	3/8" (.049WT)	2	0.5	SY008	SY008-NA		VA-ED-004-8567	66	VA-ED-004-7974	67	
CBB420-SR60(CW)	A	P-SR-M-FR-SV-1oo1-X-X	1/4"	3/8" (.049WT)	3	2.5	SY009	SY009-NA		VA-ED-004-7183	68	VA-ED-004-7184	69	
CBB420-SR60(CW)	A	P-SR-M-FR-SV-1oo1-X-X	1/2"	1/2" (.065 WT)	1	1	SY010	SY010-NA		VA-ED-004-7253	70	VA-ED-004-7254	71	
CBB420-SR60(CW)	C	P-SR-M-FR-SV-1oo1-S-VB	1/2" for DVC with 1/2" VB	1/2" (.065 WT)	1	0.5	SY011	SY011-NA		VA-ED-004-8904	72	VA-ED-004-7425	73	
CBB420-SR60(CW)	D	P-SR-M-FR-SV-1oo1-X-QEV	1/4" with 1/4" QEV	3/8" (.049WT)	3	0.5	SY012	SY012-NA		VA-ED-004-8568	74	VA-ED-004-7975	75	
CBB520-SR60(CW)	A	P-SR-M-FR-SV-1oo1-X-X	1/4"	3/8" (.049WT)	3.5	3	SY013	SY013-NA		VA-ED-004-2230	76	VA-ED-004-2447	77	
CBB520-SR60(CW)	A	P-SR-M-FR-SV-1oo1-X-X	1/2"	1/2" (.065 WT)	1.5	1.5	SY014	SY014-NA		VA-ED-004-7245	78	VA-ED-004-7246	79	
CBB520-SR60(CW)	C	P-SR-M-FR-SV-1oo1-S-VB	1/2" for DVC with 1/2" VB	1/2" (.065 WT)	1.5	1	SY015	SY015-NA		VA-ED-004-8905	80	VA-ED-004-7426	81	
CBB520-SR60(CW)	D	P-SR-M-FR-SV-1oo1-X-QEV	1/4" with 1/4" QEV	3/8" (.049WT)	3.5	0.5	SY016	SY016-NA		VA-ED-004-8569	82	VA-ED-004-7976	83	
CBB520-SR60(CW)	D	P-SR-M-FR-SV-1oo1-X-QEV	1/2" with 1/4" QEV	1/2" (.065 WT)	1.5	0.5	SY017	SY017-NA		VA-ED-004-8165	84	VA-ED-004-7969	85	
CBB525-SR60(CW)	A	P-SR-M-FR-SV-1oo1-X-X	1/4"	3/8" (.049WT)	5	4	SY018	SY018-NA		VA-ED-004-7129	86	VA-ED-004-7130	87	
CBB525-SR60(CW)	A	P-SR-M-FR-SV-1oo1-X-X	1/2"	1/2" (.065 WT)	2	1.5	SY019	SY019-NA		VA-ED-004-7242	88	VA-ED-004-7243	89	
CBB525-SR60(CW)	C	P-SR-M-FR-SV-1oo1-S-VB	1/2" for DVC with 1/2" VB	1/2" (.065 WT)	2	1	SY020	SY020-NA		VA-ED-004-7559	90	VA-ED-004-7427	91	
CBB525-SR60(CW)	D	P-SR-M-FR-SV-1oo1-X-QEV	1/4" with 1/4" QEV	3/8" (.049WT)	5	0.5	SY021	SY021-NA		VA-ED-004-8531	92	VA-ED-004-7977	93	
CBB525-SR60(CW)	D	P-SR-M-FR-SV-1oo1-X-QEV	1/2" with 1/4" QEV	1/2" (.065 WT)	2	0.5	SY022	SY022-NA		VA-ED-004-8437	94	VA-ED-004-7970	95	
CBB725-SR60(CW)	A	P-SR-M-FR-SV-1oo1-X-X	1/4"	3/8" (.049WT)	7.5	6	SY023	SY023-NA		VA-ED-004-7052	96	VA-ED-004-7053	97	
CBB725-SR60(CW)	A	P-SR-M-FR-SV-1oo1-X-X	1/2"	1/2" (.065 WT)	3	2.5	SY024	SY024-NA		VA-ED-004-7234	98	VA-ED-004-7235	99	
CBB725-SR60(CW)	C	P-SR-M-FR-SV-1oo1-S-VB	1/2" for DVC with 1/2" VB	1/2" (.065 WT)	3	1.5	SY025	SY025-NA		VA-ED-004-7630	100	VA-ED-004-7428	101	
CBB725-SR60(CW)	D	P-SR-M-FR-SV-1oo1-X-QEV	1/4" with 1/4" QEV	3/8" (.049WT)	7.5	1	SY026	SY026-NA		VA-ED-004-8541	102	VA-ED-004-7978	103	
CBB725-SR60(CW)	D	P-SR-M-FR-SV-1oo1-X-QEV	1/2" with 1/4" QEV	1/2" (.065 WT)	3	1	SY027	SY027-NA		VA-ED-004-8438	104	VA-ED-004-7971	105	
CBA730-SR60(CW)	A	P-SR-M-FR-SV-1oo1-X-X	1/4"	3/8" (.049WT)	13	10.5	SY028	SY028-NA		SY028-PED	VA-ED-004-7006	106	VA-ED-004-7007	107
CBA730-SR60(CW)	A	P-SR-M-FR-SV-1oo1-X-X	1/2"	1/2" (.065 WT)	5	4	SY029	SY029-NA		SY029-PED	VA-ED-004-7177	108	VA-ED-004-7178	109
CBA730-SR60(CW)	C	P-SR-M-FR-SV-1oo1-S-VB	1/2" for DVC with 1/2" VB	1/2" (.065 WT)	5	2.5	SY030	SY030-NA		SY030-PED	VA-ED-004-8742	110	VA-ED-004-7429	111
CBA730-SR60(CW)	D	P-SR-M-FR-SV-1oo1-X-QEV	1/4" with 1/4" QEV	3/8" (.049WT)	13	1.5	SY031	SY031-NA		SY031-PED	VA-ED-004-8551	112	VA-ED-004-7979	113
CBA730-SR60(CW)	D	P-SR-M-FR-SV-1oo1-X-QEV	1/2" with 1/4" QEV	1/2" (.065 WT)	5	1.5	SY032	SY032-NA		SY032-PED	VA-ED-004-8439	114	VA-ED-004-7972	115
CBA930-SR60(CW)	A	P-SR-M-FR-SV-1oo1-X-X	1/4"	3/8" (.049WT)	16.5	13.5	SY033	SY033-NA		SY033-PED	VA-ED-004-7037	116	VA-ED-004-7038	117
CBA930-SR60(CW)	A	P-SR-M-FR-SV-1oo1-X-X	1/2"	1/2" (.065 WT)	6.5	5	SY034	SY034-NA		SY034-PED	VA-ED-004-8749	118	VA-ED-004-7933	119
CBA930-SR60(CW)	C	P-SR-M-FR-SV-1oo1-S-VB	1/2" for DVC with 1/2" VB	1/2" (.065 WT)	6	3	SY035	SY035-NA		SY035-PED	VA-ED-004-8743	120	VA-ED-004-7430	121
CBA930-SR60(CW)	D	P-SR-M-FR-SV-1oo1-X-QEV	1/4" with 1/4" QEV	3/8" (.049WT)	16.5	2	SY036	SY036-NA		SY036-PED	VA-ED-004-8557	122	VA-ED-004-7980	123
CBA930-SR60(CW)	D	P-SR-M-FR-SV-1oo1-X-QEV	1/2" with 1/4" QEV	1/2" (.065 WT)	6.5	2	SY037	SY037-NA		SY037-PED	VA-ED-004-8440	124	VA-ED-004-7973	125

CONFIGURATION

CONTROL TYPE	A Shutdown for Small Torque Range						
	P	SR	M	FR	SV	1oo1	X X
P	Pneumatic				SV	Solenoid Valve	
SR	Spring Return				1oo1	1 out of 1	
M	Modular			X	X		
FR	Filter Regulator		X	X			

CONTROL TYPE	C Shutdown with Smart Positioner						
	P	SR	M	FR	SV	1oo1	SP VB
P	Pneumatic				SV	Solenoid Valve	
SR	Spring Return				1oo1	1 out of 1	
M	Modular				SP	Smart Positioner	
FR	Filter Regulator				VB	Volume Booster	

CONTROL TYPE	D Fast Shutdown through Quick Exhaust Valve						
	P	SR	M	FR	SV	1oo1	X QEV
P	Pneumatic				SV	Solenoid Valve	
SR	Spring Return				1oo1	1 out of 1	
M	Modular			X	X		
FR	Filter Regulator				QEV	Quick Exhaust Valve	

CBx-Series Spring Return

Actuator Model	Control Type	Controls Code	Modular Control System Size & Description	Tubing Size	Air Stroke CCW (Sec)	Air Stroke CW (Sec)	VOS-PAC Number Example: VAVOS-PAC-XXXX-XXX			General Assembly Drawing	Page	Piping Schematic	Page
							ATEX /IECEx	UL/FM/CSA	PED				
CBB315-SR60(CW)	A	P-SR-M-FR-SV-1oo1-X-X	1/4"	3/8" (.049WT)	1.5	1	SY141	SY141-NA	Not Applicable	VA-ED-004-7240	52	VA-ED-004-7241	53
CBB315-SR60(CW)	A	P-SR-M-FR-SV-1oo1-X-X	1/2"	1/2" (.065 WT)	1	0.5	SY142	SY142-NA		VA-ED-004-7267	54	VA-ED-004-7268	55
CBB315-SR60(CW)	C	P-SR-M-FR-SV-1oo1-S-VB	1/2" for DVC with 1/2" VB	1/2" (.065 WT)	0.5	0.5	SY143	SY143-NA		VA-ED-004-8902	56	VA-ED-004-7422	57
CBB315-SR60(CW)	D	P-SR-M-FR-SV-1oo1-X-QEV	1/4" with 1/4" QEV	3/8" (.049WT)	1.5	0.5	SY144	SY144-NA		VA-ED-004-8566	58	VA-ED-004-7951	59
CBB415-SR60(CW)	A	P-SR-M-FR-SV-1oo1-X-X	1/4"	3/8" (.049WT)	2	1.5	SY145	SY145-NA		VA-ED-004-7220	60	VA-ED-004-7221	61
CBB415-SR60(CW)	A	P-SR-M-FR-SV-1oo1-X-X	1/2"	1/2" (.065 WT)	1	1	SY146	SY146-NA		VA-ED-004-7255	62	VA-ED-004-7256	63
CBB415-SR60(CW)	C	P-SR-M-FR-SV-1oo1-S-VB	1/2" for DVC with 1/2" VB	1/2" (.065 WT)	1	0.5	SY147	SY147-NA		VA-ED-004-8903	64	VA-ED-004-7423	65
CBB415-SR60(CW)	D	P-SR-M-FR-SV-1oo1-X-QEV	1/4" with 1/4" QEV	3/8" (.049WT)	2	0.5	SY148	SY148-NA		VA-ED-004-8567	66	VA-ED-004-7974	67
CBB420-SR60(CW)	A	P-SR-M-FR-SV-1oo1-X-X	1/4"	3/8" (.049WT)	3	2.5	SY149	SY149-NA		VA-ED-004-7183	68	VA-ED-004-7184	69
CBB420-SR60(CW)	A	P-SR-M-FR-SV-1oo1-X-X	1/2"	1/2" (.065 WT)	1.5	1	SY150	SY150-NA		VA-ED-004-7253	70	VA-ED-004-7254	71
CBB420-SR60(CW)	C	P-SR-M-FR-SV-1oo1-S-VB	1/2" for DVC with 1/2" VB	1/2" (.065 WT)	1	0.5	SY151	SY151-NA		VA-ED-004-8904	72	VA-ED-004-7425	73
CBB420-SR60(CW)	D	P-SR-M-FR-SV-1oo1-X-QEV	1/4" with 1/4" QEV	3/8" (.049WT)	3	0.5	SY152	SY152-NA		VA-ED-004-8568	74	VA-ED-004-7975	75
CBB520-SR60(CW)	A	P-SR-M-FR-SV-1oo1-X-X	1/4"	3/8" (.049WT)	4	3	SY153	SY153-NA		VA-ED-004-2230	76	VA-ED-004-2447	77
CBB520-SR60(CW)	A	P-SR-M-FR-SV-1oo1-X-X	1/2"	1/2" (.065 WT)	1.5	1.5	SY154	SY154-NA		VA-ED-004-7245	78	VA-ED-004-7246	79
CBB520-SR60(CW)	C	P-SR-M-FR-SV-1oo1-S-VB	1/2" for DVC with 1/2" VB	1/2" (.065 WT)	1.5	1	SY155	SY155-NA		VA-ED-004-8905	80	VA-ED-004-7426	81
CBB520-SR60(CW)	D	P-SR-M-FR-SV-1oo1-X-QEV	1/4" with 1/4" QEV	3/8" (.049WT)	4	0.5	SY156	SY156-NA		VA-ED-004-8569	82	VA-ED-004-7976	83
CBB520-SR60(CW)	D	P-SR-M-FR-SV-1oo1-X-QEV	1/2" with 1/4" QEV	1/2" (.065 WT)	1.5	0.5	SY157	SY157-NA		VA-ED-004-8165	84	VA-ED-004-7969	85
CBB525-SR60(CW)	A	P-SR-M-FR-SV-1oo1-X-X	1/4"	3/8" (.049WT)	5.5	4	SY158	SY158-NA		VA-ED-004-7129	86	VA-ED-004-7130	87
CBB525-SR60(CW)	A	P-SR-M-FR-SV-1oo1-X-X	1/2"	1/2" (.065 WT)	2	1.5	SY159	SY159-NA		VA-ED-004-7242	88	VA-ED-004-7243	89
CBB525-SR60(CW)	C	P-SR-M-FR-SV-1oo1-S-VB	1/2" for DVC with 1/2" VB	1/2" (.065 WT)	2	1	SY160	SY160-NA		VA-ED-004-7559	90	VA-ED-004-7427	91
CBB525-SR60(CW)	D	P-SR-M-FR-SV-1oo1-X-QEV	1/4" with 1/4" QEV	3/8" (.049WT)	5	0.5	SY161	SY161-NA		VA-ED-004-8531	92	VA-ED-004-7977	93
CBB525-SR60(CW)	D	P-SR-M-FR-SV-1oo1-X-QEV	1/2" with 1/4" QEV	1/2" (.065 WT)	2	0.5	SY162	SY162-NA		VA-ED-004-8437	94	VA-ED-004-7970	95
CBB725-SR60(CW)	A	P-SR-M-FR-SV-1oo1-X-X	1/4"	3/8" (.049WT)	8.5	6	SY163	SY163-NA		VA-ED-004-7052	96	VA-ED-004-7053	97
CBB725-SR60(CW)	A	P-SR-M-FR-SV-1oo1-X-X	1/2"	1/2" (.065 WT)	3.5	2.5	SY164	SY164-NA		VA-ED-004-7234	98	VA-ED-004-7235	99
CBB725-SR60(CW)	C	P-SR-M-FR-SV-1oo1-S-VB	1/2" for DVC with 1/2" VB	1/2" (.065 WT)	3.5	1.5	SY165	SY165-NA		VA-ED-004-7630	100	VA-ED-004-7428	101
CBB725-SR60(CW)	D	P-SR-M-FR-SV-1oo1-X-QEV	1/4" with 1/4" QEV	3/8" (.049WT)	8.5	1	SY166	SY166-NA		VA-ED-004-8541	102	VA-ED-004-7978	103
CBB725-SR60(CW)	D	P-SR-M-FR-SV-1oo1-X-QEV	1/2" with 1/4" QEV	1/2" (.065 WT)	3	1	SY167	SY167-NA		VA-ED-004-8438	104	VA-ED-004-7971	105
CBA730-SR60(CW)	A	P-SR-M-FR-SV-1oo1-X-X	1/4"	3/8" (.049WT)	14.5	10.5	SY168	SY168-NA		VA-ED-004-7006	106	VA-ED-004-7007	107
CBA730-SR60(CW)	A	P-SR-M-FR-SV-1oo1-X-X	1/2"	1/2" (.065 WT)	5.5	4	SY169	SY169-NA		VA-ED-004-7177	108	VA-ED-004-7178	109
CBA730-SR60(CW)	C	P-SR-M-FR-SV-1oo1-S-VB	1/2" for DVC with 1/2" VB	1/2" (.065 WT)	5.5	2.5	SY170	SY170-NA		VA-ED-004-8742	110	VA-ED-004-7429	111
CBA730-SR60(CW)	D	P-SR-M-FR-SV-1oo1-X-QEV	1/4" with 1/4" QEV	3/8" (.049WT)	14.5	1.5	SY171	SY171-NA	VA-ED-004-8551	112	VA-ED-004-7979	113	
CBA730-SR60(CW)	D	P-SR-M-FR-SV-1oo1-X-QEV	1/2" with 1/4" QEV	1/2" (.065 WT)	5	1.5	SY172	SY172-NA	VA-ED-004-8439	114	VA-ED-004-7972	115	
CBA930-SR60(CW)	A	P-SR-M-FR-SV-1oo1-X-X	1/4"	3/8" (.049WT)	18.5	13.5	SY173	SY173-NA	VA-ED-004-7037	116	VA-ED-004-7038	117	
CBA930-SR60(CW)	A	P-SR-M-FR-SV-1oo1-X-X	1/2"	1/2" (.065 WT)	7	5	SY174	SY174-NA	VA-ED-004-8749	118	VA-ED-004-7933	119	
CBA930-SR60(CW)	C	P-SR-M-FR-SV-1oo1-S-VB	1/2" for DVC with 1/2" VB	1/2" (.065 WT)	7	3	SY175	SY175-NA	VA-ED-004-8743	120	VA-ED-004-7430	121	
CBA930-SR60(CW)	D	P-SR-M-FR-SV-1oo1-X-QEV	1/4" with 1/4" QEV	3/8" (.049WT)	18.5	2	SY176	SY176-NA	VA-ED-004-8557	122	VA-ED-004-7980	123	
CBA930-SR60(CW)	D	P-SR-M-FR-SV-1oo1-X-QEV	1/2" with 1/4" QEV	1/2" (.065 WT)	6.5	2	SY177	SY177-NA	VA-ED-004-8440	124	VA-ED-004-7973	125	

CONFIGURATION

CONTROL TYPE	A Shutdown for Small Torque Range							
	P	SR	M	FR	SV	1oo1	X	X
P	Pneumatic				SV			Solenoid Valve
SR	Spring Return				1oo1			1 out of 1
M	Modular			X	X			
FR	Filter Regulator		X	X				

CONTROL TYPE	C Shutdown with Smart Positioner							
	P	SR	M	FR	SV	1oo1	SP	VB
P	Pneumatic				SV			Solenoid Valve
SR	Spring Return				1oo1			1 out of 1
M	Modular				SP			Smart Positioner
FR	Filter Regulator				VB			Volume Booster

CONTROL TYPE	D Fast Shutdown through Quick Exhaust Valve							
	P	SR	M	FR	SV	1oo1	X	QEV
P	Pneumatic				SV			Solenoid Valve
SR	Spring Return				1oo1			1 out of 1
M	Modular			X	X			
FR	Filter Regulator				QEV			Quick Exhaust Valve

G-Series Double Acting

G-SERIES
DOUBLE ACTING

Actuator Model	Control Type	Controls Code	Modular Control System Size & Description	Tubing Size	Air Stroke CCW (Sec)	Air Stroke CW (Sec)	VOS-PAC Number Example: VAVOS-PAC-XXXX-XXX			General Assembly Drawing	Page	Piping Schematic	Page
							ATEX /IECEX	UL/FM/CSA	PED				
G01010	E	P-DA-M-FR-SV-1oo1-X-X	1/2"	1/2" (.065 WT)	5	4.5	SY118	SY118-NA	SY118-PED	VA-ED-004-8448	126	VA-ED-004-8004	127
G2012	E	P-DA-M-FR-SV-1oo1-X-X	1/2"	1/2" (.065 WT)	7.5	6	SY120	SY120-NA	SY120-PED	VA-ED-004-8425	128	VA-ED-004-8012	129
G3014	E	P-DA-M-FR-SV-1oo1-X-X	1/2"	1/2" (.065 WT)	10.5	10	SY122	SY122-NA	SY122-PED	VA-ED-004-8384	130	VA-ED-004-8013	131
G3016	E	P-DA-M-FR-SV-1oo1-X-X	1/2"	1/2" (.065 WT)	14	12.5	SY124	SY124-NA	SY124-PED	VA-ED-004-8376	132	VA-ED-004-8014	133
G4016	E	P-DA-M-FR-SV-1oo1-X-X	1/2"	1/2" (.065 WT)	16.5	16	SY126	SY126-NA	SY126-PED	VA-ED-004-8307	134	VA-ED-004-8015	135
G4020	E	P-DA-M-FR-SV-1oo1-X-X	1/2"	1/2" (.065 WT)	26	21	SY128	SY128-NA	SY128-PED	VA-ED-004-8377	136	VA-ED-004-8016	137
G01010	F	P-DA-M-FR-SV-1oo1-X-PV	1/2" Pilot Valve	3/4" (.065 WT)	2	2	SY119	SY119-NA	SY119-PED	VA-ED-004-8886	138	VA-ED-004-8009	139
G2012	F	P-DA-M-FR-SV-1oo1-X-PV	1/2" Pilot Valve	3/4" (.065 WT)	2.5	2.5	SY121	SY121-NA	SY121-PED	VA-ED-004-8887	140	VA-ED-004-8029	141
G3014	F	P-DA-M-FR-SV-1oo1-X-PV	1/2" Pilot Valve	3/4" (.065 WT)	3.5	4	SY123	SY123-NA	SY123-PED	VA-ED-004-8888	142	VA-ED-004-8030	143
G3016	F	P-DA-M-FR-SV-1oo1-X-PV	1/2" Pilot Valve	3/4" (.065 WT)	4.5	5	SY125	SY125-NA	SY125-PED	VA-ED-004-8889	144	VA-ED-004-8031	145
G4016	F	P-DA-M-FR-SV-1oo1-X-PV	1/2" Pilot Valve	3/4" (.065 WT)	5.5	6	SY127	SY127-NA	SY127-PED	VA-ED-004-8890	146	VA-ED-004-8032	147
G4020	F	P-DA-M-FR-SV-1oo1-X-PV	1/2" Pilot Valve	3/4" (.065 WT)	8	8	SY129	SY129-NA	SY129-PED	VA-ED-004-8891	148	VA-ED-004-8033	149
G5020	E	P-DA-M-FR-SV-1oo1-X-X	1/2"	1/2" (.065 WT)	30	33	SY130	SY130-NA	SY130-PED	VA-ED-004-8387	150	VA-ED-004-8017	151
G5024	E	P-DA-M-FR-SV-1oo1-X-X	1/2"	1/2" (.065 WT)	44	46.5	SY133	SY133-NA	SY133-PED	VA-ED-004-8416	152	VA-ED-004-8018	153
G5020	F	P-DA-M-FR-SV-1oo1-X-PV	1/2" Pilot Valve	3/4" (.065 WT)	10.5	12	SY131	SY131-NA	SY131-PED	VA-ED-004-8892	154	VA-ED-004-8034	155
G5024	F	P-DA-M-FR-SV-1oo1-X-PV	1/2" Pilot Valve	3/4" (.065 WT)	15	17	SY134	SY134-NA	SY134-PED	VA-ED-004-8893	156	VA-ED-004-8035	157
G5020	F	P-DA-M-FR-SV-1oo1-X-PV	1" Pilot Valve	1" (.083WT)	5.5	5	SY132	SY132-NA	SY132-PED	VA-ED-004-8883	158	VA-ED-004-8041	159
G5024	F	P-DA-M-FR-SV-1oo1-X-PV	1" Pilot Valve	1" (.083WT)	7.5	7	SY135	SY135-NA	SY135-PED	VA-ED-004-8866	160	VA-ED-004-8042	161
G5028	F	P-DA-M-FR-SV-1oo1-X-PV	1" Pilot Valve	1" (.083WT)	11	9.5	SY136	SY136-NA	SY136-PED	VA-ED-004-8884	162	VA-ED-004-8043	163
G7028	F	P-DA-M-FR-SV-1oo1-X-PV	1" Pilot Valve	1" (.083WT)	13.5	12	SY137	SY137-NA	Consult Factory	VA-ED-004-8874	164	VA-ED-004-8044	165
G8036	F	P-DA-M-FR-SV-1oo1-X-PV	1" Pilot Valve	1" (.083WT)	25	28	SY138	SY138-NA		VA-ED-004-8885	166	VA-ED-004-8045	167
G8040	F	P-DA-M-FR-SV-1oo1-X-PV	1" Pilot Valve	1" (.083WT)	31	34.5	SY139	SY139-NA		VA-ED-004-8906	168	VA-ED-004-8046	169
G10040	F	P-DA-M-FR-SV-1oo1-X-PV	1" Pilot Valve	1" (.083WT)	39	42.5	SY140	SY140-NA	VA-ED-004-8805	170	VA-ED-004-8047	171	

Note:
PED Actuators are metric

CONFIGURATION

CONTROL TYPE		E Shutdown for Small Torque Range					
P	DA	M	FR	SV	1oo1	X	X
P	Pneumatic		SV	Solenoid Valve			
DA	Double Acting		1oo1	1 out of 1			
M	Modular		X	X			
FR	Filter Regulator		X	X			

CONTROL TYPE		F Shutdown for Large Torque Range					
P	DA	M	FR	SV	1oo1	X	PV
P	Pneumatic		SV	Solenoid Valve			
DA	Double Acting		1oo1	1 out of 1			
M	Modular		X	X			
FR	Filter Regulator		PV	Pilot Valve			

G-Series Double Acting

80 psig

Actuator Model	Control Type	Controls Code	Modular Control System Size & Description	Tubing Size	Air Stroke CCW (Sec)	Air Stroke CW (Sec)	VOS-PAC Number Example: VAVOS-PAC-XXXX-XXX			General Assembly Drawing	Page	Piping Schematic	Page
							ATEX /IECEX	UL/FM/CSA	PED				
G01010	E	P-DA-M-FR-SV-1oo1-X-X	1/2"	1/2" (.065 WT)	5.5	5	SY258	SY258-NA	SY258-PED	VA-ED-004-8448	126	VA-ED-004-8004	127
G2012	E	P-DA-M-FR-SV-1oo1-X-X	1/2"	1/2" (.065 WT)	8	7	SY260	SY260-NA	SY260-PED	VA-ED-004-8425	128	VA-ED-004-8012	129
G3014	E	P-DA-M-FR-SV-1oo1-X-X	1/2"	1/2" (.065 WT)	12	11	SY262	SY262-NA	SY262-PED	VA-ED-004-8384	130	VA-ED-004-8013	131
G3016	E	P-DA-M-FR-SV-1oo1-X-X	1/2"	1/2" (.065 WT)	15.5	14	SY264	SY264-NA	SY264-PED	VA-ED-004-8376	132	VA-ED-004-8014	133
G4016	E	P-DA-M-FR-SV-1oo1-X-X	1/2"	1/2" (.065 WT)	18.5	17.5	SY266	SY266-NA	SY266-PED	VA-ED-004-8307	134	VA-ED-004-8015	135
G4020	E	P-DA-M-FR-SV-1oo1-X-X	1/2"	1/2" (.065 WT)	29	23.5	SY268	SY268-NA	SY268-PED	VA-ED-004-8377	136	VA-ED-004-8016	137
G01010	F	P-DA-M-FR-SV-1oo1-X-PV	1/2" Pilot Valve	3/4" (.065 WT)	2	2	SY259	SY259-NA	SY259-PED	VA-ED-004-8886	138	VA-ED-004-8009	139
G2012	F	P-DA-M-FR-SV-1oo1-X-PV	1/2" Pilot Valve	3/4" (.065 WT)	2.5	3	SY261	SY261-NA	SY261-PED	VA-ED-004-8887	140	VA-ED-004-8029	141
G3014	F	P-DA-M-FR-SV-1oo1-X-PV	1/2" Pilot Valve	3/4" (.065 WT)	4	4.5	SY263	SY263-NA	SY263-PED	VA-ED-004-8888	142	VA-ED-004-8030	143
G3016	F	P-DA-M-FR-SV-1oo1-X-PV	1/2" Pilot Valve	3/4" (.065 WT)	5	5.5	SY265	SY265-NA	SY265-PED	VA-ED-004-8889	144	VA-ED-004-8031	145
G4016	F	P-DA-M-FR-SV-1oo1-X-PV	1/2" Pilot Valve	3/4" (.065 WT)	6	7	SY267	SY267-NA	SY267-PED	VA-ED-004-8890	146	VA-ED-004-8032	147
G4020	F	P-DA-M-FR-SV-1oo1-X-PV	1/2" Pilot Valve	3/4" (.065 WT)	9	9	SY269	SY269-NA	SY269-PED	VA-ED-004-8891	148	VA-ED-004-8033	149
G5020	E	P-DA-M-FR-SV-1oo1-X-X	1/2"	1/2" (.065 WT)	33.5	36.5	SY270	SY270-NA	SY270-PED	VA-ED-004-8387	150	VA-ED-004-8017	151
G5024	E	P-DA-M-FR-SV-1oo1-X-X	1/2"	1/2" (.065 WT)	49	52	SY273	SY273-NA	SY273-PED	VA-ED-004-8416	152	VA-ED-004-8018	153
G5020	F	P-DA-M-FR-SV-1oo1-X-PV	1/2" Pilot Valve	3/4" (.065 WT)	11.5	13.5	SY271	SY271-NA	SY271-PED	VA-ED-004-8892	154	VA-ED-004-8034	155
G5024	F	P-DA-M-FR-SV-1oo1-X-PV	1/2" Pilot Valve	3/4" (.065 WT)	17	19	SY274	SY274-NA	SY274-PED	VA-ED-004-8893	156	VA-ED-004-8035	157
G5020	F	P-DA-M-FR-SV-1oo1-X-PV	1" Pilot Valve	1" (.083WT)	6	5.5	SY272	SY272-NA	SY272-PED	VA-ED-004-8883	158	VA-ED-004-8041	159
G5024	F	P-DA-M-FR-SV-1oo1-X-PV	1" Pilot Valve	1" (.083WT)	8.5	8	SY275	SY275-NA	SY275-PED	VA-ED-004-8866	160	VA-ED-004-8042	161
G5028	F	P-DA-M-FR-SV-1oo1-X-PV	1" Pilot Valve	1" (.083WT)	12	11	SY276	SY276-NA	SY276-PED	VA-ED-004-8884	162	VA-ED-004-8043	163
G7028	F	P-DA-M-FR-SV-1oo1-X-PV	1" Pilot Valve	1" (.083WT)	15	13.5	SY277	SY277-NA	Consult Factory	VA-ED-004-8874	164	VA-ED-004-8044	165
G8036	F	P-DA-M-FR-SV-1oo1-X-PV	1" Pilot Valve	1" (.083WT)	28	31	SY278	SY278-NA		VA-ED-004-8885	166	VA-ED-004-8045	167
G8040	F	P-DA-M-FR-SV-1oo1-X-PV	1" Pilot Valve	1" (.083WT)	34.5	38.5	SY279	SY279-NA		VA-ED-004-8906	168	VA-ED-004-8046	169
G10040	F	P-DA-M-FR-SV-1oo1-X-PV	1" Pilot Valve	1" (.083WT)	43.5	47.5	SY280	SY280-NA		VA-ED-004-8805	170	VA-ED-004-8047	171

Note:
PED Actuators are metric

CONFIGURATION

CONTROL TYPE		E Shutdown for Small Torque Range					
P	DA	M	FR	SV	1oo1	X	X
P	Pneumatic		SV	Solenoid Valve			
DA	Double Acting		1oo1	1 out of 1			
M	Modular		X	X			
FR	Filter Regulator		X	X			

CONTROL TYPE		F Shutdown for Large Torque Range					
P	DA	M	FR	SV	1oo1	X	PV
P	Pneumatic		SV	Solenoid Valve			
DA	Double Acting		1oo1	1 out of 1			
M	Modular		X	X			
FR	Filter Regulator		PV	Pilot Valve			

G-SERIES
DOUBLEACTING

G-Series Spring Return

G-SERIES
SPRING RETURN

Actuator Model	Control Type	Controls Code	Modular Control System Size & Description	Tubing Size	Air Stroke CCW (Sec)	Air Stroke CW (Sec)	VOS-PAC Number Example: VAVOS-PAC-XXXX-XXX			General Assembly Drawing	Page	Piping Schematic	Page
							ATEX /IECEx	UL/FM/CSA	PED				
G01009-SR4(CW)	A	P-SR-M-FR-SV-1oo1-X-X	1/2"	1/2" (.065 WT)	4.5	3.5	SY038	SY038-NA	SY038-PED	VA-ED-004-7228	172	VA-ED-004-7229	173
G01009-SR4(CW)	B	P-SR-M-FR-SV-1oo1-X-PV	1/2" Pilot Valve	3/4" (.065 WT)	1.5	1	SY039	SY039-NA	SY039-PED	VA-ED-004-8056	174	VA-ED-004-7937	175
G01009-SR4(CW)	C	P-SR-M-FR-SV-1oo1-S-VB	1/2" for DVC with 3/4" VB	3/4" (.065 WT)	1.5	1	SY040	SY040-NA	SY040-PED	VA-ED-004-7564	176	VA-ED-004-7473	177
G01009-SR4(CW)	D	P-SR-M-FR-SV-1oo1-X-QEV	1/2" with 1/4" QEV	1/2" (.065 WT)	4.5	1.5	SY041	SY041-NA	SY041-PED	VA-ED-004-8189	178	VA-ED-004-7982	179
G01009-SR4(CW)	D	P-SR-M-FR-SV-1oo1-X-QEV	1/2" with 1/2" QEV	3/4" (.065 WT)	3	0.5	SY042	SY042-NA	SY042-PED	VA-ED-004-8299	180	VA-ED-004-8095	181
G01010-SR4(CW)	A	P-SR-M-FR-SV-1oo1-X-X	1/2"	1/2" (.065 WT)	5.5	4.5	SY043	SY043-NA	SY043-PED	VA-ED-004-7223	182	VA-ED-004-7224	183
G01010-SR4(CW)	B	P-SR-M-FR-SV-1oo1-X-PV	1/2" Pilot Valve	3/4" (.065 WT)	2	1.5	SY044	SY044-NA	SY044-PED	VA-ED-004-8083	184	VA-ED-004-7938	185
G01010-SR4(CW)	C	P-SR-M-FR-SV-1oo1-S-VB	1/2" for DVC with 3/4" VB	3/4" (.065 WT)	2	1.5	SY045	SY045-NA	SY045-PED	VA-ED-004-7614	186	VA-ED-004-7478	187
G01010-SR4(CW)	D	P-SR-M-FR-SV-1oo1-X-QEV	1/2" with 1/4" QEV	1/2" (.065 WT)	6.5	2.5	SY046	SY046-NA	SY046-PED	VA-ED-004-8193	188	VA-ED-004-7983	189
G01010-SR4(CW)	D	P-SR-M-FR-SV-1oo1-X-QEV	1/2" with 1/2" QEV	3/4" (.065 WT)	4	1	SY047	SY047-NA	SY047-PED	VA-ED-004-8298	190	VA-ED-004-8096	191
G01012-SR4(CW)	A	P-SR-M-FR-SV-1oo1-X-X	1/2"	1/2" (.065 WT)	8	6.5	SY048	SY048-NA	SY048-PED	VA-ED-004-7208	192	VA-ED-004-7209	193
G01012-SR4(CW)	B	P-SR-M-FR-SV-1oo1-X-PV	1/2" Pilot Valve	3/4" (.065 WT)	2.5	2	SY049	SY049-NA	SY049-PED	VA-ED-004-8084	194	VA-ED-004-7939	195
G01012-SR4(CW)	C	P-SR-M-FR-SV-1oo1-S-VB	1/2" for DVC with 3/4" VB	3/4" (.065 WT)	3	2	SY050	SY050-NA	SY050-PED	VA-ED-004-7682	196	VA-ED-004-7479	197
G01012-SR4(CW)	D	P-SR-M-FR-SV-1oo1-X-QEV	1/2" with 1/4" QEV	1/2" (.065 WT)	9	3.5	SY051	SY051-NA	SY051-PED	VA-ED-004-8202	198	VA-ED-004-7984	199
G01012-SR4(CW)	D	P-SR-M-FR-SV-1oo1-X-QEV	1/2" with 1/2" QEV	3/4" (.065 WT)	6	1.5	SY052	SY052-NA	SY052-PED	VA-ED-004-8297	200	VA-ED-004-8097	201
G2014-SR4(CW)	A	P-SR-M-FR-SV-1oo1-X-X	1/2"	1/2" (.065 WT)	9.5	8	SY053	SY053-NA	SY053-PED	VA-ED-004-7190	202	VA-ED-004-7191	203
G2014-SR4(CW)	B	P-SR-M-FR-SV-1oo1-X-PV	1/2" Pilot Valve	3/4" (.065 WT)	3	2.5	SY054	SY054-NA	SY054-PED	VA-ED-004-8085	204	VA-ED-004-7940	205
G2014-SR4(CW)	C	P-SR-M-FR-SV-1oo1-S-VB	1/2" for DVC with 3/4" VB	3/4" (.065 WT)	3.5	2.5	SY055	SY055-NA	SY055-PED	VA-ED-004-7340	206	VA-ED-004-7341	207
G2014-SR4(CW)	D	P-SR-M-FR-SV-1oo1-X-QEV	1/2" with 1/4" QEV	1/2" (.065 WT)	11	4.5	SY056	SY056-NA	SY056-PED	VA-ED-004-8238	208	VA-ED-004-7985	209
G2014-SR4(CW)	D	P-SR-M-FR-SV-1oo1-X-QEV	1/2" with 1/2" QEV	3/4" (.065 WT)	7	1.5	SY057	SY057-NA	SY057-PED	VA-ED-004-8296	210	VA-ED-004-8098	211
G3016-SR2(CW)	A	P-SR-M-FR-SV-1oo1-X-X	1/2"	1/2" (.065 WT)	15.5	12.5	SY058	SY058-NA	SY058-PED	VA-ED-004-7143	212	VA-ED-004-7144	213
G3016-SR2(CW)	B	P-SR-M-FR-SV-1oo1-X-PV	1/2" Pilot Valve	3/4" (.065 WT)	5	4	SY059	SY059-NA	SY059-PED	VA-ED-004-8059	214	VA-ED-004-7942	215
G3016-SR2(CW)	C	P-SR-M-FR-SV-1oo1-S-VB	1/2" for DVC with 3/4" VB	3/4" (.065 WT)	5.5	4	SY060	SY060-NA	SY060-PED	VA-ED-004-7694	216	VA-ED-004-7480	217
G3016-SR2(CW)	D	P-SR-M-FR-SV-1oo1-X-QEV	1/2" with 1/4" QEV	1/2" (.065 WT)	17.5	6.5	SY061	SY061-NA	SY061-PED	VA-ED-004-8022	218	VA-ED-004-7986	219
G3016-SR2(CW)	D	P-SR-M-FR-SV-1oo1-X-QEV	1/2" with 1/2" QEV	3/4" (.065 WT)	11	2.5	SY062	SY062-NA	SY062-PED	VA-ED-004-8295	220	VA-ED-004-8099	221
G3016-SR4(CW)	A	P-SR-M-FR-SV-1oo1-X-X	1/2"	1/2" (.065 WT)	15.5	12.5	SY063	SY063-NA	SY063-PED	VA-ED-004-7247	222	VA-ED-004-7248	223
G3016-SR4(CW)	B	P-SR-M-FR-SV-1oo1-X-PV	1/2" Pilot Valve	3/4" (.065 WT)	5	4	SY064	SY064-NA	SY064-PED	VA-ED-004-8086	224	VA-ED-004-7943	225
G3016-SR4(CW)	C	P-SR-M-FR-SV-1oo1-S-VB	1/2" for DVC with 3/4" VB	3/4" (.065 WT)	5.5	4	SY065	SY065-NA	SY065-PED	VA-ED-004-7716	226	VA-ED-004-7481	227
G3016-SR4(CW)	D	P-SR-M-FR-SV-1oo1-X-QEV	1/2" with 1/4" QEV	1/2" (.065 WT)	17.5	6.5	SY066	SY066-NA	SY066-PED	VA-ED-004-8266	228	VA-ED-004-7987	229
G3016-SR4(CW)	D	P-SR-M-FR-SV-1oo1-X-QEV	1/2" with 1/2" QEV	3/4" (.065 WT)	11	2.5	SY067	SY067-NA	SY067-PED	VA-ED-004-8201	230	VA-ED-004-8100	231
G4020-SR2(CW)	A	P-SR-M-FR-SV-1oo1-X-X	1/2"	1/2" (.065 WT)	27.5	22	SY068	SY068-NA	SY068-PED	VA-ED-004-7205	232	VA-ED-004-7206	233
G4020-SR2(CW)	B	P-SR-M-FR-SV-1oo1-X-PV	1/2" Pilot Valve	3/4" (.065 WT)	9	7.5	SY069	SY069-NA	SY069-PED	VA-ED-004-8087	234	VA-ED-004-7944	235
G4020-SR2(CW)	C	P-SR-M-FR-SV-1oo1-S-VB	1/2" for DVC with 3/4" VB	3/4" (.065 WT)	10	7	SY070	SY070-NA	SY070-PED	VA-ED-004-7713	236	VA-ED-004-7482	237
G4020-SR2(CW)	D	P-SR-M-FR-SV-1oo1-X-QEV	1/2" with 1/4" QEV	1/2" (.065 WT)	32.5	12.5	SY071	SY071-NA	SY071-PED	VA-ED-004-8270	238	VA-ED-004-7988	239
G4020-SR2(CW)	D	P-SR-M-FR-SV-1oo1-X-QEV	1/2" with 1/2" QEV	3/4" (.065 WT)	20.5	4	SY072	SY072-NA	SY072-PED	VA-ED-004-8248	240	VA-ED-004-8101	241

Note:
PED Actuators are metric

CONFIGURATION

CONTROL TYPE	A Shutdown for Small Torque Range						
P	SR	M	FR	SV	1oo1	X	X
P	Pneumatic	SV	Solenoid Valve				
SR	Spring Return	1oo1	1 out of 1				
M	Modular	X	X				
FR	Filter Regulator	X	X				

CONTROL TYPE	B Shutdown for Large Torque Range						
P	SR	M	FR	SV	1oo1	X	PV
P	Pneumatic	SV	Solenoid Valve				
SR	Spring Return	1oo1	1 out of 1				
M	Modular	X	X				
FR	Filter Regulator	PV	Pilot Valve				

CONTROL TYPE	C Shutdown with Smart Positioner						
P	SR	M	FR	SV	1oo1	SP	VB
P	Pneumatic	SV	Solenoid Valve				
SR	Spring Return	1oo1	1 out of 1				
M	Modular	SP	Smart Positioner				
FR	Filter Regulator	VB	Volume Booster				

CONTROL TYPE	D Fast Shutdown through Quick Exhaust Valve						
P	SR	M	FR	SV	1oo1	X	QEV
P	Pneumatic	SV	Solenoid Valve				
SR	Spring Return	1oo1	1 out of 1				
M	Modular	X	X				
FR	Filter Regulator	QEV	Quick Exhaust Valve				

G-Series Spring Return (continued)

G-SERIES
SPRING RETURN

Actuator Model	Control Type	Controls Code	Modular Control System Size & Description	Tubing Size	Air Stroke CCW (Sec)	Air Stroke CW (Sec)	VOS-PAC Number Example: VAVOS-PAC-XXXX-XXX			General Assembly Drawing	Page	Piping Schematic	Page
							ATEX /IECEx	UL/FM/CSA	PED				
G4020-SR4(CW)	A	P-SR-M-FR-SV-1oo1-X-X	1/2"	1/2" (.065 WT)	27.5	22	SY073	SY073-NA	SY073-PED	VA-ED-004-7931	242	VA-ED-004-7932	243
G4020-SR4(CW)	B	P-SR-M-FR-SV-1oo1-X-PV	1/2" Pilot Valve	3/4" (.065 WT)	9	7.5	SY074	SY074-NA	SY074-PED	VA-ED-004-8088	244	VA-ED-004-7945	245
G4020-SR4(CW)	C	P-SR-M-FR-SV-1oo1-S-VB	1/2" for DVC with 3/4" VB	3/4" (.065 WT)	10	7	SY075	SY075-NA	SY075-PED	VA-ED-004-7712	246	VA-ED-004-7483	247
G4020-SR4(CW)	D	P-SR-M-FR-SV-1oo1-X-QEV	1/2" with 1/4" QEV	1/2" (.065 WT)	32.5	12.5	SY076	SY076-NA	SY076-PED	VA-ED-004-8284	248	VA-ED-004-7989	249
G4020-SR4(CW)	D	P-SR-M-FR-SV-1oo1-X-QEV	1/2" with 1/2" QEV	3/4" (.065 WT)	20.5	4	SY077	SY077-NA	SY077-PED	VA-ED-004-8262	250	VA-ED-004-8102	251
G5024-SR4(CW)	B	P-SR-M-FR-SV-1oo1-X-PV	1/2" Pilot Valve	3/4" (.065 WT)	17	13.5	SY078	SY078-NA	SY078-PED	VA-ED-004-8089	252	VA-ED-004-7946	253
G5024-SR4(CW)	B	P-SR-M-FR-SV-1oo1-X-PV	1" Pilot Valve	1" (.083WT)	7	5.5	SY079	SY079-NA	SY079-PED	VA-ED-004-8894	254	VA-ED-004-8129	255
G5024-SR4(CW)	C	P-SR-M-FR-SV-1oo1-S-VB	1/2" for DVC with 3/4" VB	3/4" (.065 WT)	19	11.5	SY080	SY080-NA	SY080-PED	VA-ED-004-7711	256	VA-ED-004-7484	257
G5024-SR4(CW)	C	P-SR-M-FR-SV-1oo1-S-VB	1/2" for DVC with 1" VB	1" (.083WT)	12.5	7	SY081	SY081-NA	SY081-PED	VA-ED-004-7651	258	VA-ED-004-7490	259
G5024-SR4(CW)	D	P-SR-M-FR-SV-1oo1-X-QEV	1/2" with 1/2" QEV	3/4" (.065 WT)	38	7.5	SY082	SY082-NA	SY082-PED	VA-ED-004-8264	260	VA-ED-004-8103	261
G5024-SR4(CW)	D	P-SR-M-FR-SV-1oo1-X-QEV	1/2" with 3/4" QEV	1" (.083WT)	36	4.5	SY083	SY083-NA	SY083-PED	VA-ED-004-8237	262	VA-ED-004-8107	263
G5028-SR2(CW)	B	P-SR-M-FR-SV-1oo1-X-PV	1/2" Pilot Valve	3/4" (.065 WT)	24	19	SY084	SY084-NA	SY084-PED	VA-ED-004-8090	264	VA-ED-004-7947	265
G5028-SR2(CW)	B	P-SR-M-FR-SV-1oo1-X-PV	1" Pilot Valve	1" (.083WT)	9.5	8	SY085	SY085-NA	SY085-PED	VA-ED-004-8895	266	VA-ED-004-8130	267
G5028-SR2(CW)	C	P-SR-M-FR-SV-1oo1-S-VB	1/2" for DVC with 3/4" VB	3/4" (.065 WT)	26.5	16.5	SY086	SY086-NA	SY086-PED	VA-ED-004-7708	268	VA-ED-004-7485	269
G5028-SR2(CW)	C	P-SR-M-FR-SV-1oo1-S-VB	1/2" for DVC with 1" VB	1" (.083WT)	17.5	9.5	SY087	SY087-NA	SY087-PED	VA-ED-004-7650	270	VA-ED-004-7491	271
G5028-SR2(CW)	D	P-SR-M-FR-SV-1oo1-X-QEV	1/2" with 1/2" QEV	3/4" (.065 WT)	54	10.5	SY088	SY088-NA	SY088-PED	VA-ED-004-8268	272	VA-ED-004-8104	273
G5028-SR2(CW)	D	P-SR-M-FR-SV-1oo1-X-QEV	1/2" with 3/4" QEV	1" (.083WT)	50.5	6	SY089	SY089-NA	SY089-PED	VA-ED-004-8246	274	VA-ED-004-8108	275
G5028-SR4(CW)	B	P-SR-M-FR-SV-1oo1-X-PV	1/2" Pilot Valve	3/4" (.065 WT)	24	19	SY090	SY090-NA	SY090-PED	VA-ED-004-8074	276	VA-ED-004-7948	277
G5028-SR4(CW)	B	P-SR-M-FR-SV-1oo1-X-PV	1" Pilot Valve	1" (.083WT)	9.5	8	SY091	SY091-NA	SY091-PED	VA-ED-004-8896	278	VA-ED-004-8132	279
G5028-SR4(CW)	C	P-SR-M-FR-SV-1oo1-S-VB	1/2" for DVC with 3/4" VB	3/4" (.065 WT)	26.5	16.5	SY092	SY092-NA	SY092-PED	VA-ED-004-7707	280	VA-ED-004-7486	281
G5028-SR4(CW)	C	P-SR-M-FR-SV-1oo1-S-VB	1/2" for DVC with 1" VB	1" (.083WT)	17.5	9.5	SY093	SY093-NA	SY093-PED	VA-ED-004-7637	282	VA-ED-004-7492	283
G5028-SR4(CW)	D	P-SR-M-FR-SV-1oo1-X-QEV	1/2" with 1/2" QEV	3/4" (.065 WT)	54	10.5	SY094	SY094-NA	SY094-PED	VA-ED-004-8273	284	VA-ED-004-8105	285
G5028-SR4(CW)	D	P-SR-M-FR-SV-1oo1-X-QEV	1/2" with 3/4" QEV	1" (.083WT)	50.5	6	SY095	SY095-NA	SY095-PED	VA-ED-004-8250	286	VA-ED-004-8109	287
G7028-SR4(CW)	B	P-SR-M-FR-SV-1oo1-X-PV	1" Pilot Valve	1" (.083WT)	12	10	SY096	SY096-NA		VA-ED-004-8897	288	VA-ED-004-8133	289
G7028-SR4(CW)	C	P-SR-M-FR-SV-1oo1-S-VB	1/2" for DVC with 1" VB	1" (.083WT)	21.5	14.5	SY097	SY097-NA		VA-ED-004-7574	290	VA-ED-004-7493	291
G7028-SR4(CW)	D	P-SR-M-FR-SV-1oo1-X-QEV	1/2" with 3/4" QEV	1" (.083WT)	63	7.5	SY098	SY098-NA		VA-ED-004-8256	292	VA-ED-004-8110	293
G7032-SR4(CW)	B	P-SR-M-FR-SV-1oo1-X-PV	1" Pilot Valve	1" (.083WT)	15	12	SY099	SY099-NA		VA-ED-004-8899	294	VA-ED-004-8134	295
G7032-SR4(CW)	C	P-SR-M-FR-SV-1oo1-S-VB	1/2" for DVC with 1" VB	1" (.083WT)	27	14.5	SY100	SY100-NA		VA-ED-004-7635	296	VA-ED-004-7494	297
G7032-SR4(CW)	D	P-SR-M-FR-SV-1oo1-X-QEV	1/2" with 3/4" QEV	1" (.083WT)	78.5	9.5	SY101	SY101-NA		VA-ED-004-8258	298	VA-ED-004-8111	299
G8036-SR3(CW)	B	P-SR-M-FR-SV-1oo1-X-PV	1" Pilot Valve	1" (.083WT)	22.5	18.5	SY102	SY102-NA		VA-ED-004-8900	300	VA-ED-004-8135	301
G8036-SR3(CW)	C	P-SR-M-FR-SV-1oo1-S-VB	1/2" for DVC with 1" VB	1" (.083WT)	38.5	19.5	SY103	SY103-NA		VA-ED-004-7684	302	VA-ED-004-7495	303
G8036-SR3(CW)	D	P-SR-M-FR-SV-1oo1-X-QEV	1/2" with 3/4" QEV	1" (.083WT)	117.5	13.5	SY104	SY104-NA		VA-ED-004-8289	304	VA-ED-004-8112	305
G10040-SR4(CW)	B	P-SR-M-FR-SV-1oo1-X-PV	1" Pilot Valve	1" (.083WT)	36.5	29.5	SY105	SY105-NA		VA-ED-004-8901	306	VA-ED-004-8136	307
G10040-SR4(CW)	C	P-SR-M-FR-SV-1oo1-S-VB	1/2" for DVC with 1" VB	1" (.083WT)	60.5	31	SY106	SY106-NA		VA-ED-004-7691	308	VA-ED-004-7496	309
G10040-SR4(CW)	D	P-SR-M-FR-SV-1oo1-X-QEV	1/2" with 3/4" QEV	1" (.083WT)	185	21.5	SY107	SY107-NA		VA-ED-004-8294	310	VA-ED-004-8113	311

Note:
PED Actuators are metric

CONFIGURATION

CONTROL TYPE	A Shutdown for Small Torque Range						
P	SR	M	FR	SV	1oo1	X	X
P	Pneumatic	SV	Solenoid Valve				
SR	Spring Return	1oo1	1 out of 1				
M	Modular	X	X				
FR	Filter Regulator	X	X				

CONTROL TYPE	B Shutdown for Large Torque Range						
P	SR	M	FR	SV	1oo1	X	PV
P	Pneumatic	SV	Solenoid Valve				
SR	Spring Return	1oo1	1 out of 1				
M	Modular	X	X				
FR	Filter Regulator	PV	Pilot Valve				

CONTROL TYPE	C Shutdown with Smart Positioner						
P	SR	M	FR	SV	1oo1	SP	VB
P	Pneumatic	SV	Solenoid Valve				
SR	Spring Return	1oo1	1 out of 1				
M	Modular	SP	Smart Positioner				
FR	Filter Regulator	VB	Volume Booster				

CONTROL TYPE	D Fast Shutdown through Quick Exhaust Valve						
P	SR	M	FR	SV	1oo1	X	QEV
P	Pneumatic	SV	Solenoid Valve				
SR	Spring Return	1oo1	1 out of 1				
M	Modular	X	X				
FR	Filter Regulator	QEV	Quick Exhaust Valve				

G-Series Spring Return

Actuator Model	Control Type	Controls Code	Modular Control System Size & Description	Tubing Size	Air Stroke CCW (Sec)	Air Stroke CW (Sec)	VOS-PAC Number Example: VAVOS-PAC-XXXX-XXX			General Assembly Drawing	Page	Piping Schematic	Page
							ATEX /IECEx	UL/FM/CSA	PED				
G01009-SR4(CW)	A	P-SR-M-FR-SV-1oo1-X-X	1/2"	1/2" (.065 WT)	4.5	3.5	SY178	SY178-NA	SY178-PED	VA-ED-004-7228	172	VA-ED-004-7229	173
G01009-SR4(CW)	B	P-SR-M-FR-SV-1oo1-X-PV	1/2" Pilot Valve	3/4" (.065 WT)	1.5	1	SY179	SY179-NA	SY179-PED	VA-ED-004-8056	174	VA-ED-004-7937	175
G01009-SR4(CW)	C	P-SR-M-FR-SV-1oo1-S-VB	1/2" for DVC with 3/4" VB	3/4" (.065 WT)	1.5	1	SY180	SY180-NA	SY180-PED	VA-ED-004-7564	176	VA-ED-004-7473	177
G01009-SR4(CW)	D	P-SR-M-FR-SV-1oo1-X-QEV	1/2" with 1/4" QEV	1/2" (.065 WT)	5	1	SY181	SY181-NA	SY181-PED	VA-ED-004-8189	178	VA-ED-004-7982	179
G01009-SR4(CW)	D	P-SR-M-FR-SV-1oo1-X-QEV	1/2" with 1/2" QEV	3/4" (.065 WT)	3.5	0.5	SY182	SY182-NA	SY182-PED	VA-ED-004-8299	180	VA-ED-004-8095	181
G01010-SR4(CW)	A	P-SR-M-FR-SV-1oo1-X-X	1/2"	1/2" (.065 WT)	6	4.5	SY183	SY183-NA	SY183-PED	VA-ED-004-7223	182	VA-ED-004-7224	183
G01010-SR4(CW)	B	P-SR-M-FR-SV-1oo1-X-PV	1/2" Pilot Valve	3/4" (.065 WT)	2	1.5	SY184	SY184-NA	SY184-PED	VA-ED-004-8083	184	VA-ED-004-7938	185
G01010-SR4(CW)	C	P-SR-M-FR-SV-1oo1-S-VB	1/2" for DVC with 3/4" VB	3/4" (.065 WT)	2.5	1.5	SY185	SY185-NA	SY185-PED	VA-ED-004-7614	186	VA-ED-004-7478	187
G01010-SR4(CW)	D	P-SR-M-FR-SV-1oo1-X-QEV	1/2" with 1/4" QEV	1/2" (.065 WT)	7	1.5	SY186	SY186-NA	SY186-PED	VA-ED-004-8193	188	VA-ED-004-7983	189
G01010-SR4(CW)	D	P-SR-M-FR-SV-1oo1-X-QEV	1/2" with 1/2" QEV	3/4" (.065 WT)	4.5	1	SY187	SY187-NA	SY187-PED	VA-ED-004-8298	190	VA-ED-004-8096	191
G01012-SR4(CW)	A	P-SR-M-FR-SV-1oo1-X-X	1/2"	1/2" (.065 WT)	9	6.5	SY188	SY188-NA	SY188-PED	VA-ED-004-7208	192	VA-ED-004-7209	193
G01012-SR4(CW)	B	P-SR-M-FR-SV-1oo1-X-PV	1/2" Pilot Valve	3/4" (.065 WT)	3	2	SY189	SY189-NA	SY189-PED	VA-ED-004-8084	194	VA-ED-004-7939	195
G01012-SR4(CW)	C	P-SR-M-FR-SV-1oo1-S-VB	1/2" for DVC with 3/4" VB	3/4" (.065 WT)	3	2	SY190	SY190-NA	SY190-PED	VA-ED-004-7682	196	VA-ED-004-7479	197
G01012-SR4(CW)	D	P-SR-M-FR-SV-1oo1-X-QEV	1/2" with 1/4" QEV	1/2" (.065 WT)	10	2	SY191	SY191-NA	SY191-PED	VA-ED-004-8202	198	VA-ED-004-7984	199
G01012-SR4(CW)	D	P-SR-M-FR-SV-1oo1-X-QEV	1/2" with 1/2" QEV	3/4" (.065 WT)	6.5	1.5	SY192	SY192-NA	SY192-PED	VA-ED-004-8297	200	VA-ED-004-8097	201
G2014-SR4(CW)	A	P-SR-M-FR-SV-1oo1-X-X	1/2"	1/2" (.065 WT)	11	8	SY193	SY193-NA	SY193-PED	VA-ED-004-7190	202	VA-ED-004-7191	203
G2014-SR4(CW)	B	P-SR-M-FR-SV-1oo1-X-PV	1/2" Pilot Valve	3/4" (.065 WT)	3.5	2.5	SY194	SY194-NA	SY194-PED	VA-ED-004-8085	204	VA-ED-004-7940	205
G2014-SR4(CW)	C	P-SR-M-FR-SV-1oo1-S-VB	1/2" for DVC with 3/4" VB	3/4" (.065 WT)	4	2.5	SY195	SY195-NA	SY195-PED	VA-ED-004-7340	206	VA-ED-004-7341	207
G2014-SR4(CW)	D	P-SR-M-FR-SV-1oo1-X-QEV	1/2" with 1/4" QEV	1/2" (.065 WT)	12.5	3	SY196	SY196-NA	SY196-PED	VA-ED-004-8238	208	VA-ED-004-7985	209
G2014-SR4(CW)	D	P-SR-M-FR-SV-1oo1-X-QEV	1/2" with 1/2" QEV	3/4" (.065 WT)	8	1.5	SY197	SY197-NA	SY197-PED	VA-ED-004-8296	210	VA-ED-004-8098	211
G3016-SR2(CW)	A	P-SR-M-FR-SV-1oo1-X-X	1/2"	1/2" (.065 WT)	17	12.5	SY198	SY198-NA	SY198-PED	VA-ED-004-7143	212	VA-ED-004-7144	213
G3016-SR2(CW)	B	P-SR-M-FR-SV-1oo1-X-PV	1/2" Pilot Valve	3/4" (.065 WT)	5.5	4	SY199	SY199-NA	SY199-PED	VA-ED-004-8059	214	VA-ED-004-7942	215
G3016-SR2(CW)	C	P-SR-M-FR-SV-1oo1-S-VB	1/2" for DVC with 3/4" VB	3/4" (.065 WT)	6	4	SY200	SY200-NA	SY200-PED	VA-ED-004-7694	216	VA-ED-004-7480	217
G3016-SR2(CW)	D	P-SR-M-FR-SV-1oo1-X-QEV	1/2" with 1/4" QEV	1/2" (.065 WT)	19.5	5	SY201	SY201-NA	SY201-PED	VA-ED-004-8022	218	VA-ED-004-7986	219
G3016-SR2(CW)	D	P-SR-M-FR-SV-1oo1-X-QEV	1/2" with 1/2" QEV	3/4" (.065 WT)	12.5	2.5	SY202	SY202-NA	SY202-PED	VA-ED-004-8295	220	VA-ED-004-8099	221
G3016-SR4(CW)	A	P-SR-M-FR-SV-1oo1-X-X	1/2"	1/2" (.065 WT)	17	12.5	SY203	SY203-NA	SY203-PED	VA-ED-004-7247	222	VA-ED-004-7248	223
G3016-SR4(CW)	B	P-SR-M-FR-SV-1oo1-X-PV	1/2" Pilot Valve	3/4" (.065 WT)	5.5	4	SY204	SY204-NA	SY204-PED	VA-ED-004-8086	224	VA-ED-004-7943	225
G3016-SR4(CW)	C	P-SR-M-FR-SV-1oo1-S-VB	1/2" for DVC with 3/4" VB	3/4" (.065 WT)	6	4	SY205	SY205-NA	SY205-PED	VA-ED-004-7716	226	VA-ED-004-7481	227
G3016-SR4(CW)	D	P-SR-M-FR-SV-1oo1-X-QEV	1/2" with 1/4" QEV	1/2" (.065 WT)	19.5	5	SY206	SY206-NA	SY206-PED	VA-ED-004-8266	228	VA-ED-004-7987	229
G3016-SR4(CW)	D	P-SR-M-FR-SV-1oo1-X-QEV	1/2" with 1/2" QEV	3/4" (.065 WT)	12.5	2.5	SY207	SY207-NA	SY207-PED	VA-ED-004-8201	230	VA-ED-004-8100	231
G4020-SR2(CW)	A	P-SR-M-FR-SV-1oo1-X-X	1/2"	1/2" (.065 WT)	30.5	22	SY208	SY208-NA	SY208-PED	VA-ED-004-7205	232	VA-ED-004-7206	233
G4020-SR2(CW)	B	P-SR-M-FR-SV-1oo1-X-PV	1/2" Pilot Valve	3/4" (.065 WT)	10	7.5	SY209	SY209-NA	SY209-PED	VA-ED-004-8087	234	VA-ED-004-7944	235
G4020-SR2(CW)	C	P-SR-M-FR-SV-1oo1-S-VB	1/2" for DVC with 3/4" VB	3/4" (.065 WT)	11	7	SY210	SY210-NA	SY210-PED	VA-ED-004-7713	236	VA-ED-004-7482	237
G4020-SR2(CW)	D	P-SR-M-FR-SV-1oo1-X-QEV	1/2" with 1/4" QEV	1/2" (.065 WT)	36	8	SY211	SY211-NA	SY211-PED	VA-ED-004-8270	238	VA-ED-004-7988	239
G4020-SR2(CW)	D	P-SR-M-FR-SV-1oo1-X-QEV	1/2" with 1/2" QEV	3/4" (.065 WT)	23	4	SY212	SY212-NA	SY212-PED	VA-ED-004-8248	240	VA-ED-004-8101	241

Note:
PED Actuators are metric

CONFIGURATION

CONTROL TYPE	A Shutdown for Small Torque Range						
P	SR	M	FR	SV	1oo1	X	X
P	Pneumatic	SV	Solenoid Valve				
SR	Spring Return	1oo1	1 out of 1				
M	Modular	X	X				
FR	Filter Regulator	X	X				

CONTROL TYPE	B Shutdown for Large Torque Range						
P	SR	M	FR	SV	1oo1	X	PV
P	Pneumatic	SV	Solenoid Valve				
SR	Spring Return	1oo1	1 out of 1				
M	Modular	X	X				
FR	Filter Regulator	PV	Pilot Valve				

CONTROL TYPE	C Shutdown with Smart Positioner						
P	SR	M	FR	SV	1oo1	SP	VB
P	Pneumatic	SV	Solenoid Valve				
SR	Spring Return	1oo1	1 out of 1				
M	Modular	SP	Smart Positioner				
FR	Filter Regulator	VB	Volume Booster				

CONTROL TYPE	D Fast Shutdown through Quick Exhaust Valve						
P	SR	M	FR	SV	1oo1	X	QEV
P	Pneumatic	SV	Solenoid Valve				
SR	Spring Return	1oo1	1 out of 1				
M	Modular	X	X				
FR	Filter Regulator	QEV	Quick Exhaust Valve				

G-SERIES
SPRING RETURN

G-Series Spring Return (continued)

Actuator Model	Control Type	Controls Code	Modular Control System Size & Description	Tubing Size	Air Stroke CCW (Sec)	Air Stroke CW (Sec)	VOS-PAC Number Example: VAVOS-PAC-XXXX-XXX			General Assembly Drawing	Page	Piping Schematic	Page
							ATEX /IECEx	UL/FM/CSA	PED				
G4020-SR4(CW)	A	P-SR-M-FR-SV-1oo1-X-X	1/2"	1/2" (.065 WT)	30.5	22	SY213	SY213-NA	SY213-PED	VA-ED-004-7931	242	VA-ED-004-7932	243
G4020-SR4(CW)	B	P-SR-M-FR-SV-1oo1-X-PV	1/2" Pilot Valve	3/4" (.065 WT)	10	7.5	SY214	SY214-NA	SY214-PED	VA-ED-004-8088	244	VA-ED-004-7945	245
G4020-SR4(CW)	C	P-SR-M-FR-SV-1oo1-S-VB	1/2" for DVC with 3/4" VB	3/4" (.065 WT)	11	7	SY215	SY215-NA	SY215-PED	VA-ED-004-7712	246	VA-ED-004-7483	247
G4020-SR4(CW)	D	P-SR-M-FR-SV-1oo1-X-QEV	1/2" WITH 1/4" QEV	1/2" (.065 WT)	36	8	SY216	SY216-NA	SY216-PED	VA-ED-004-8284	248	VA-ED-004-7989	249
G4020-SR4(CW)	D	P-SR-M-FR-SV-1oo1-X-QEV	1/2" WITH 1/2" QEV	3/4" (.065 WT)	23	4	SY217	SY217-NA	SY217-PED	VA-ED-004-8262	250	VA-ED-004-8102	251
G5024-SR4(CW)	B	P-SR-M-FR-SV-1oo1-X-PV	1/2" Pilot Valve	3/4" (.065 WT)	19	13.5	SY218	SY218-NA	SY218-PED	VA-ED-004-8089	252	VA-ED-004-7946	253
G5024-SR4(CW)	B	P-SR-M-FR-SV-1oo1-X-PV	1" Pilot Valve	1" (.083WT)	7.5	5.5	SY219	SY219-NA	SY219-PED	VA-ED-004-8894	254	VA-ED-004-8129	255
G5024-SR4(CW)	C	P-SR-M-FR-SV-1oo1-S-VB	1/2" for DVC with 3/4" VB	3/4" (.065 WT)	21	11.5	SY220	SY220-NA	SY220-PED	VA-ED-004-7711	256	VA-ED-004-7484	257
G5024-SR4(CW)	C	P-SR-M-FR-SV-1oo1-S-VB	1/2" for DVC with 1" VB	1" (.083WT)	14	7	SY221	SY221-NA	SY221-PED	VA-ED-004-7651	258	VA-ED-004-7490	259
G5024-SR4(CW)	D	P-SR-M-FR-SV-1oo1-X-QEV	1/2" WITH 1/2" QEV	3/4" (.065 WT)	42.5	7.5	SY222	SY222-NA	SY222-PED	VA-ED-004-8264	260	VA-ED-004-8103	261
G5024-SR4(CW)	D	P-SR-M-FR-SV-1oo1-X-QEV	1/2" WITH 3/4" QEV	1" (.083WT)	40	4.5	SY223	SY223-NA	SY223-PED	VA-ED-004-8237	262	VA-ED-004-8107	263
G5028-SR2(CW)	B	P-SR-M-FR-SV-1oo1-X-PV	1/2" Pilot Valve	3/4" (.065 WT)	27	19	SY224	SY224-NA	SY224-PED	VA-ED-004-8090	264	VA-ED-004-7947	265
G5028-SR2(CW)	B	P-SR-M-FR-SV-1oo1-X-PV	1" Pilot Valve	1" (.083WT)	11	8	SY225	SY225-NA	SY225-PED	VA-ED-004-8895	266	VA-ED-004-8130	267
G5028-SR2(CW)	C	P-SR-M-FR-SV-1oo1-S-VB	1/2" for DVC with 3/4" VB	3/4" (.065 WT)	29.5	16.5	SY226	SY226-NA	SY226-PED	VA-ED-004-7708	268	VA-ED-004-7485	269
G5028-SR2(CW)	C	P-SR-M-FR-SV-1oo1-S-VB	1/2" for DVC with 1" VB	1" (.083WT)	19.5	9.5	SY227	SY227-NA	SY227-PED	VA-ED-004-7650	270	VA-ED-004-7491	271
G5028-SR2(CW)	D	P-SR-M-FR-SV-1oo1-X-QEV	1/2" WITH 1/2" QEV	3/4" (.065 WT)	60	10.5	SY228	SY228-NA	SY228-PED	VA-ED-004-8268	272	VA-ED-004-8104	273
G5028-SR2(CW)	D	P-SR-M-FR-SV-1oo1-X-QEV	1/2" WITH 3/4" QEV	1" (.083WT)	56.5	6	SY229	SY229-NA	SY229-PED	VA-ED-004-8246	274	VA-ED-004-8108	275
G5028-SR4(CW)	B	P-SR-M-FR-SV-1oo1-X-PV	1/2" Pilot Valve	3/4" (.065 WT)	27	19	SY230	SY230-NA	SY230-PED	VA-ED-004-8074	276	VA-ED-004-7948	277
G5028-SR4(CW)	B	P-SR-M-FR-SV-1oo1-X-PV	1" Pilot Valve	1" (.083WT)	11	8	SY231	SY231-NA	SY231-PED	VA-ED-004-8896	278	VA-ED-004-8132	279
G5028-SR4(CW)	C	P-SR-M-FR-SV-1oo1-S-VB	1/2" for DVC with 3/4" VB	3/4" (.065 WT)	29.5	16.5	SY232	SY232-NA	SY232-PED	VA-ED-004-7707	280	VA-ED-004-7486	281
G5028-SR4(CW)	C	P-SR-M-FR-SV-1oo1-S-VB	1/2" for DVC with 1" VB	1" (.083WT)	19.5	9.5	SY233	SY233-NA	SY233-PED	VA-ED-004-7637	282	VA-ED-004-7492	283
G5028-SR4(CW)	D	P-SR-M-FR-SV-1oo1-X-QEV	1/2" WITH 1/2" QEV	3/4" (.065 WT)	60	10.5	SY234	SY234-NA	SY234-PED	VA-ED-004-8273	284	VA-ED-004-8105	285
G5028-SR4(CW)	D	P-SR-M-FR-SV-1oo1-X-QEV	1/2" WITH 3/4" QEV	1" (.083WT)	56.5	6	SY235	SY235-NA	SY235-PED	VA-ED-004-8250	286	VA-ED-004-8109	287
G7028-SR4(CW)	B	P-SR-M-FR-SV-1oo1-X-PV	1" Pilot Valve	1" (.083WT)	13.5	10	SY236	SY236-NA		VA-ED-004-8897	288	VA-ED-004-8133	289
G7028-SR4(CW)	C	P-SR-M-FR-SV-1oo1-S-VB	1/2" for DVC with 1" VB	1" (.083WT)	24	14.5	SY237	SY237-NA		VA-ED-004-7574	290	VA-ED-004-7493	291
G7028-SR4(CW)	D	P-SR-M-FR-SV-1oo1-X-QEV	1/2" WITH 3/4" QEV	1" (.083WT)	70.5	7.5	SY238	SY238-NA		VA-ED-004-8256	292	VA-ED-004-8110	293
G7032-SR4(CW)	B	P-SR-M-FR-SV-1oo1-X-PV	1" Pilot Valve	1" (.083WT)	16.5	12	SY239	SY239-NA		VA-ED-004-8899	294	VA-ED-004-8134	295
G7032-SR4(CW)	C	P-SR-M-FR-SV-1oo1-S-VB	1/2" for DVC with 1" VB	1" (.083WT)	30	14.5	SY240	SY240-NA		VA-ED-004-7635	296	VA-ED-004-7494	297
G7032-SR4(CW)	D	P-SR-M-FR-SV-1oo1-X-QEV	1/2" WITH 3/4" QEV	1" (.083WT)	87.5	9.5	SY241	SY241-NA		VA-ED-004-8258	298	VA-ED-004-8111	299
G8036-SR3(CW)	B	P-SR-M-FR-SV-1oo1-X-PV	1" Pilot Valve	1" (.083WT)	25.5	18.5	SY242	SY242-NA		VA-ED-004-8900	300	VA-ED-004-8135	301
G8036-SR3(CW)	C	P-SR-M-FR-SV-1oo1-S-VB	1/2" for DVC with 1" VB	1" (.083WT)	43	19.5	SY243	SY243-NA		VA-ED-004-7684	302	VA-ED-004-7495	303
G8036-SR3(CW)	D	P-SR-M-FR-SV-1oo1-X-QEV	1/2" WITH 3/4" QEV	1" (.083WT)	131	13.5	SY244	SY244-NA		VA-ED-004-8289	304	VA-ED-004-8112	305
G10040-SR4(CW)	B	P-SR-M-FR-SV-1oo1-X-PV	1" Pilot Valve	1" (.083WT)	40.5	29.5	SY245	SY245-NA		VA-ED-004-8901	306	VA-ED-004-8136	307
G10040-SR4(CW)	C	P-SR-M-FR-SV-1oo1-S-VB	1/2" for DVC with 1" VB	1" (.083WT)	67.5	31	SY246	SY246-NA		VA-ED-004-7691	308	VA-ED-004-7496	309
G10040-SR4(CW)	D	P-SR-M-FR-SV-1oo1-X-QEV	1/2" WITH 3/4" QEV	1" (.083WT)	206.5	21.5	SY247	SY247-NA		VA-ED-004-8294	310	VA-ED-004-8113	311

Note:
PED Actuators are metric

CONFIGURATION

CONTROL TYPE	A Shutdown for Small Torque Range						
	P	SR	M	FR	SV	1oo1	X X
P	Pneumatic				SV	Solenoid Valve	
SR	Spring Return				1oo1	1 out of 1	
M	Modular		X	X			
FR	Filter Regulator		X	X			

CONTROL TYPE	B Shutdown for Large Torque Range						
	P	SR	M	FR	SV	1oo1	X PV
P	Pneumatic				SV	Solenoid Valve	
SR	Spring Return				1oo1	1 out of 1	
M	Modular		X	X			
FR	Filter Regulator				PV	Pilot Valve	

CONTROL TYPE	C Shutdown with Smart Positioner						
	P	SR	M	FR	SV	1oo1	SP VB
P	Pneumatic				SV	Solenoid Valve	
SR	Spring Return				1oo1	1 out of 1	
M	Modular				SP	Smart Positioner	
FR	Filter Regulator				VB	Volume Booster	

CONTROL TYPE	D Fast Shutdown through Quick Exhaust Valve						
	P	SR	M	FR	SV	1oo1	X QEV
P	Pneumatic				SV	Solenoid Valve	
SR	Spring Return				1oo1	1 out of 1	
M	Modular		X	X			
FR	Filter Regulator				QEV	Quick Exhaust Valve	

G-SERIES
SPRING RETURN

RPE-Series Double Acting

Actuator Model	Control Type	Controls Code	Modular Control System Size & Description	Tubing Size	Air Stroke CCW (Sec)	Air Stroke CW (Sec)	VOS-PAC Number Example: VAVOS-PAC-XXXX-XXX			General Assembly Drawing	Page	Piping Schematic	Page
							ATEX /IECEx	UL/FM/CSA	PED				
RPED0025-NU00CWALTN-L11SKB-00XX	I	P-DA-M-FR-SV-1oo1-X-X	1/4" F/R with SOL 4/2 WAY	NA	0.5	0.5	RP013	RP013-NA	RP013-PED	VA-ED-004-9598	312	VA-ED-004-9593	313
RPED0040-NU00CWALTN-L14SKB-00XX	I	P-DA-M-FR-SV-1oo1-X-X	1/4" F/R with SOL 4/2 WAY	NA	1	1	RP014	RP014-NA	RP014-PED	VA-ED-004-9599	314	VA-ED-004-9594	315
RPED0065-NU00CWALTN-L14SKB-00XX	I	P-DA-M-FR-SV-1oo1-X-X	1/4" F/R with SOL 4/2 WAY	NA	1	1	RP015	RP015-NA	RP015-PED	VA-ED-004-9600	316	VA-ED-004-9595	317
RPED0100-NU00CWALTN-L19SKB-00XX	I	P-DA-M-FR-SV-1oo1-X-X	1/4" F/R with SOL 4/2 WAY	NA	1	1	RP016	RP016-NA	RP016-PED	VA-ED-004-9601	318	VA-ED-004-9596	319
RPED0150-NU00CWALTN-L19SKB-00XX	I	P-DA-M-FR-SV-1oo1-X-X	1/4" F/R with SOL 4/2 WAY	NA	1.5	1	RP017	RP017-NA	RP017-PED	VA-ED-004-9602	320	VA-ED-004-9597	321
RPED0200-NU00CWALTN-L22SKB-00XX	I	P-DA-M-FR-SV-1oo1-X-X	1/4" F/R with SOL 4/2 WAY	NA	1.5	1.5	RP018	RP018-NA	RP018-PED	VA-ED-004-9604	322	VA-ED-004-9603	323
RPED0350-NU00CWALTN-L27SKB-00XX	I	P-DA-M-FR-SV-1oo1-X-X	1/4" F/R with SOL 4/2 WAY	NA	2	2	RP019	RP019-NA	RP019-PED	VA-ED-004-9700	324	VA-ED-004-9701	325
RPED0600-NU00CWALTN-L27SKB-00XX	I	P-DA-M-FR-SV-1oo1-X-X	1/4" F/R with SOL 4/2 WAY	NA	3.5	3	RP020	RP020-NA	RP020-PED	VA-ED-004-9702	326	VA-ED-004-9703	327
RPED0950-NU00CWALTN-L36SKB-00XX	I	P-DA-M-FR-SV-1oo1-X-X	1/4" F/R with SOL 4/2 WAY	NA	4.5	4	RP021	RP021-NA	RP021-PED	VA-ED-004-9704	328	VA-ED-004-9705	329
RPED1600-NU00CWALTN-L46SKB-00XX	I	P-DA-M-FR-SV-1oo1-X-X	1/4" F/R with SOL 4/2 WAY	NA	7	6	RP022	RP022-NA	RP022-PED	VA-ED-004-9706	330	VA-ED-004-9707	331
RPED2500-NU00CWALTN-L46SKB-00XX	I	P-DA-M-FR-SV-1oo1-X-X	1/4" F/R with SOL 4/2 WAY	NA	9	9.5	RP023	RP023-NA	RP023-PED	VA-ED-004-9708	332	VA-ED-004-9709	333
RPED4000-NU00CWALTN-Q55SKB-00XX	I	P-DA-M-FR-SV-1oo1-X-X	1/4" F/R with SOL 4/2 WAY	NA	16	16	RP024	RP024-NA	RP024-PED	VA-ED-004-9710	334	VA-ED-004-9711	335

Note:
PED Actuators are metric

CONFIGURATION

CONTROL TYPE	I	Shutdown					
P	DA	M	FR	SV	1oo1	X	X
P	Pneumatic			SV	Solenoid Valve		
SR	Double Acting			1oo1	1 out of 1		
M	Modular			X	X		
FR	Filter Regulator			X	X		

Actuator Model	Control Type	Controls Code	Modular Control System Size & Description	Tubing Size	Air Stroke CCW (Sec)	Air Stroke CW (Sec)	VOS-PAC Number Example: VAVOS-PAC-XXXX-XXX			General Assembly Drawing	Page	Piping Schematic	Page
							ATEX /IECEx	UL/FM/CSA	PED				
RPED0025-NU00CWALTN-L11SKB-00XX	I	P-DA-M-FR-SV-1oo1-X-X	1/4" F/R with SOL 4/2 WAY	NA	0.5	0.5	RP037	RP037-NA	RP037-PED	VA-ED-004-9598	312	VA-ED-004-9593	313
RPED0040-NU00CWALTN-L14SKB-00XX	I	P-DA-M-FR-SV-1oo1-X-X	1/4" F/R with SOL 4/2 WAY	NA	1	1	RP038	RP038-NA	RP038-PED	VA-ED-004-9599	314	VA-ED-004-9594	315
RPED0065-NU00CWALTN-L14SKB-00XX	I	P-DA-M-FR-SV-1oo1-X-X	1/4" F/R with SOL 4/2 WAY	NA	1	1	RP039	RP039-NA	RP039-PED	VA-ED-004-9600	316	VA-ED-004-9595	317
RPED0100-NU00CWALTN-L19SKB-00XX	I	P-DA-M-FR-SV-1oo1-X-X	1/4" F/R with SOL 4/2 WAY	NA	1	1	RP040	RP040-NA	RP040-PED	VA-ED-004-9601	318	VA-ED-004-9596	319
RPED0150-NU00CWALTN-L19SKB-00XX	I	P-DA-M-FR-SV-1oo1-X-X	1/4" F/R with SOL 4/2 WAY	NA	1.5	1	RP041	RP041-NA	RP041-PED	VA-ED-004-9602	320	VA-ED-004-9597	321
RPED0200-NU00CWALTN-L22SKB-00XX	I	P-DA-M-FR-SV-1oo1-X-X	1/4" F/R with SOL 4/2 WAY	NA	1.5	1.5	RP042	RP042-NA	RP042-PED	VA-ED-004-9604	322	VA-ED-004-9603	323
RPED0350-NU00CWALTN-L27SKB-00XX	I	P-DA-M-FR-SV-1oo1-X-X	1/4" F/R with SOL 4/2 WAY	NA	2	2	RP043	RP043-NA	RP043-PED	VA-ED-004-9700	324	VA-ED-004-9701	325
RPED0600-NU00CWALTN-L27SKB-00XX	I	P-DA-M-FR-SV-1oo1-X-X	1/4" F/R with SOL 4/2 WAY	NA	3.5	3.5	RP044	RP044-NA	RP044-PED	VA-ED-004-9702	326	VA-ED-004-9703	327
RPED0950-NU00CWALTN-L36SKB-00XX	I	P-DA-M-FR-SV-1oo1-X-X	1/4" F/R with SOL 4/2 WAY	NA	5	4.5	RP045	RP045-NA	RP045-PED	VA-ED-004-9704	328	VA-ED-004-9705	329
RPED1600-NU00CWALTN-L46SKB-00XX	I	P-DA-M-FR-SV-1oo1-X-X	1/4" F/R with SOL 4/2 WAY	NA	7.5	7	RP046	RP046-NA	RP046-PED	VA-ED-004-9706	330	VA-ED-004-9707	331
RPED2500-NU00CWALTN-L46SKB-00XX	I	P-DA-M-FR-SV-1oo1-X-X	1/4" F/R with SOL 4/2 WAY	NA	10	10.5	RP047	RP047-NA	RP047-PED	VA-ED-004-9708	332	VA-ED-004-9709	333
RPED4000-NU00CWALTN-Q55SKB-00XX	I	P-DA-M-FR-SV-1oo1-X-X	1/4" F/R with SOL 4/2 WAY	NA	17.5	18	RP048	RP048-NA	RP048-PED	VA-ED-004-9710	334	VA-ED-004-9711	335

Note:
PED Actuators are metric

CONFIGURATION

CONTROL TYPE	I	Shutdown											
P	DA	M	FR	SV	1oo1	X	X						
P	Pneumatic			SV	Solenoid Valve								
SR	Double Acting			1oo1	1 out of 1								
M	Modular			X	X								
FR	Filter Regulator			X	X								

RPE-Series Spring Return

Actuator Model	Control Type	Controls Code	Modular Control System Size & Description	Tubing Size	Air Stroke CCW (Sec)	Air Stroke CW (Sec)	VOS-PAC Number Example: VAVOS-PAC-XXXX-XXX			General Assembly Drawing	Page	Piping Schematic	Page
							ATEX /IECEX	UL/FM/CSA	PED				
RPES0025-NU30CWALTN-L11SKB-00XX	G	P-SR-M-FR-SV-1001-X-X	1/4" F/R with SOL 3/2 WAY	NA	0.5	0.5	RP001	RP001-NA	RP001-PED	VA-ED-004-9423	336	VA-ED-004-9409	337
RPES0040-NU30CWALTN-L14SKB-00XX	G	P-SR-M-FR-SV-1001-X-X	1/4" F/R with SOL 3/2 WAY	NA	1	1	RP002	RP002-NA	RP002-PED	VA-ED-004-9424	338	VA-ED-004-9410	339
RPES0065-NU30CWALTN-L14SKB-00XX	G	P-SR-M-FR-SV-1001-X-X	1/4" F/R with SOL 3/2 WAY	NA	1	1	RP003	RP003-NA	RP003-PED	VA-ED-004-9425	340	VA-ED-004-9411	341
RPES0100-NU30CWALTN-L19SKB-00XX	G	P-SR-M-FR-SV-1001-X-X	1/4" F/R with SOL 3/2 WAY	NA	1	1	RP004	RP004-NA	RP004-PED	VA-ED-004-9426	342	VA-ED-004-9412	343
RPES0150-NU30CWALTN-L19SKB-00XX	G	P-SR-M-FR-SV-1001-X-X	1/4" F/R with SOL 3/2 WAY	NA	1	1	RP005	RP005-NA	RP005-PED	VA-ED-004-9427	344	VA-ED-004-9415	345
RPES0200-NU30CWALTN-L22SKB-00XX	G	P-SR-M-FR-SV-1001-X-X	1/4" F/R with SOL 3/2 WAY	NA	2	1.5	RP006	RP006-NA	RP006-PED	VA-ED-004-9428	346	VA-ED-004-9416	347
RPES0350-NU30CWALTN-L27SKB-00XX	H	P-SR-M-FR-SV-1001-X-BB	1/4" F/R with SOL 3/2 WAY	NA	2.5	2	RP007	RP007-NA	RP007-PED	VA-ED-004-9429	348	VA-ED-004-9417	349
RPES0600-NU30CWALTN-L27SKB-00XX	H	P-SR-M-FR-SV-1001-X-BB	1/4" F/R with SOL 3/2 WAY	NA	4.5	1.5	RP008	RP008-NA	RP008-PED	VA-ED-004-9430	350	VA-ED-004-9418	351
RPES0950-NU30CWALTN-L36SKB-00XX	H	P-SR-M-FR-SV-1001-X-BB	1/4" F/R with SOL 3/2 WAY	NA	7.5	2	RP009	RP009-NA	RP009-PED	VA-ED-004-9431	352	VA-ED-004-9419	353
RPES1600-NU30CWALTN-L46SKB-00XX	H	P-SR-M-FR-SV-1001-X-BB	1/4" F/R with SOL 3/2 WAY	NA	12.5	3	RP010	RP010-NA	RP010-PED	VA-ED-004-9432	354	VA-ED-004-9420	355
RPES2500-NU30CWALTN-L46SKB-00XX	H	P-SR-M-FR-SV-1001-X-BB	1/4" F/R with SOL 3/2 WAY	NA	20	3.5	RP011	RP011-NA	RP011-PED	VA-ED-004-9434	356	VA-ED-004-9421	357
RPES4000-NU30CWALTN-Q55SKB-00XX	H	P-SR-M-FR-SV-1001-X-BB	1/4" F/R with SOL 3/2 WAY	NA	32	6	RP012	RP012-NA	RP012-PED	VA-ED-004-9435	358	VA-ED-004-9422	359

Note:
PED Actuators are metric

CONFIGURATION

CONTROL TYPE	G	Shutdown for Small Torque Range					
P	SR	M	FR	SV	1oo1	X	X
P	Pneumatic		SV	Solenoid Valve			
SR	Spring Return		1oo1	1 out of 1			
M	Modular		X	X			
FR	Filter Regulator		X	X			

CONTROL TYPE	H	Shutdown for Large Torque Range					
P	SR	M	FR	SV	1oo1	X	BB
P	Pneumatic		SV	Solenoid Valve			
SR	Spring Return		1oo1	1 out of 1			
M	Modular		X	X			
FR	Filter Regulator		BB	Breather Block			

Actuator Model	Control Type	Controls Code	Modular Control System Size & Description	Tubing Size	Air Stroke CCW (Sec)	Air Stroke CW (Sec)	VOS-PAC Number Example: VAVOS-PAC-XXXX-XXX			General Assembly Drawing	Page	Piping Schematic	Page
							ATEX/IECEX	UL/FM/CSA	PED				
RPES0025-NU30CWALTN-L11SKB-00XX	G	P-SR-M-FR-SV-1001-X-X	1/4" F/R with SOL 3/2 WAY	NA	0.5	0.5	RP025	RP025-NA	RP025-PED	VA-ED-004-9423	336	VA-ED-004-9409	337
RPES0040-NU30CWALTN-L14SKB-00XX	G	P-SR-M-FR-SV-1001-X-X	1/4" F/R with SOL 3/2 WAY	NA	1	1	RP026	RP026-NA	RP026-PED	VA-ED-004-9424	338	VA-ED-004-9410	339
RPES0065-NU30CWALTN-L14SKB-00XX	G	P-SR-M-FR-SV-1001-X-X	1/4" F/R with SOL 3/2 WAY	NA	1	1	RP027	RP027-NA	RP027-PED	VA-ED-004-9425	340	VA-ED-004-9411	341
RPES0100-NU30CWALTN-L19SKB-00XX	G	P-SR-M-FR-SV-1001-X-X	1/4" F/R with SOL 3/2 WAY	NA	1	1	RP028	RP028-NA	RP028-PED	VA-ED-004-9426	342	VA-ED-004-9412	343
RPES0150-NU30CWALTN-L19SKB-00XX	G	P-SR-M-FR-SV-1001-X-X	1/4" F/R with SOL 3/2 WAY	NA	1.5	1	RP029	RP029-NA	RP029-PED	VA-ED-004-9427	344	VA-ED-004-9415	345
RPES0200-NU30CWALTN-L22SKB-00XX	G	P-SR-M-FR-SV-1001-X-X	1/4" F/R with SOL 3/2 WAY	NA	2	1.5	RP030	RP030-NA	RP030-PED	VA-ED-004-9428	346	VA-ED-004-9416	347
RPES0350-NU30CWALTN-L27SKB-00XX	H	P-SR-M-FR-SV-1001-X-BB	1/4" F/R with SOL 3/2 WAY	NA	2.5	2	RP031	RP031-NA	RP031-PED	VA-ED-004-9429	348	VA-ED-004-9417	349
RPES0600-NU30CWALTN-L27SKB-00XX	H	P-SR-M-FR-SV-1001-X-BB	1/4" F/R with SOL 3/2 WAY	NA	5	1.5	RP032	RP032-NA	RP032-PED	VA-ED-004-9430	350	VA-ED-004-9418	351
RPES0950-NU30CWALTN-L36SKB-00XX	H	P-SR-M-FR-SV-1001-X-BB	1/4" F/R with SOL 3/2 WAY	NA	7.5	2	RP033	RP033-NA	RP033-PED	VA-ED-004-9431	352	VA-ED-004-9419	353
RPES1600-NU30CWALTN-L46SKB-00XX	H	P-SR-M-FR-SV-1001-X-BB	1/4" F/R with SOL 3/2 WAY	NA	12.5	3	RP034	RP034-NA	RP034-PED	VA-ED-004-9432	354	VA-ED-004-9420	355
RPES2500-NU30CWALTN-L46SKB-00XX	H	P-SR-M-FR-SV-1001-X-BB	1/4" F/R with SOL 3/2 WAY	NA	20	3.5	RP035	RP035-NA	RP035-PED	VA-ED-004-9434	356	VA-ED-004-9421	357
RPES4000-NU30CWALTN-Q55SKB-00XX	H	P-SR-M-FR-SV-1001-X-BB	1/4" F/R with SOL 3/2 WAY	NA	32	6	RP036	RP036-NA	RP036-PED	VA-ED-004-9435	358	VA-ED-004-9422	359

Note:
PED Actuators are metric

CONFIGURATION

CONTROL TYPE	G	Shutdown for Small Torque Range					
P	SR	M	FR	SV	1oo1	X	X
P	Pneumatic		SV	Solenoid Valve			
SR	Spring Return		1oo1	1 out of 1			
M	Modular		X	X			
FR	Filter Regulator		X	X			

CONTROL TYPE	H	Shutdown for Large Torque Range					
P	SR	M	FR	SV	1oo1	X	BB
P	Pneumatic		SV	Solenoid Valve			
SR	Spring Return		1oo1	1 out of 1			
M	Modular		X	X			
FR	Filter Regulator		BB	Breather Block			

SECTION 3

Components and Dimensions

Complete Emerson Solution

All components are designed, engineered and guaranteed by Emerson.

VOS-PAC Electrical Control Component Details:

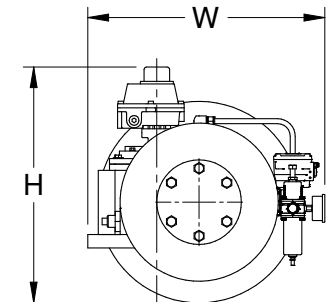
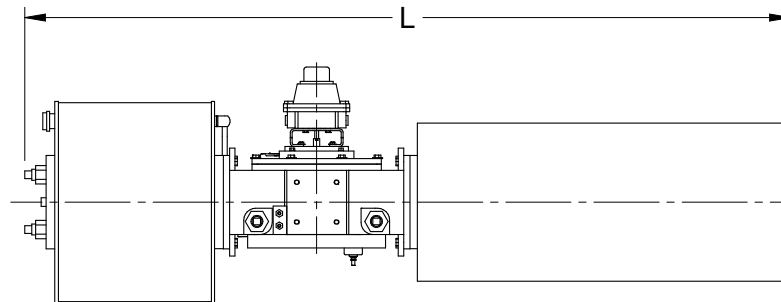
Valve Type	Model	Operator Ambient Temp.	Material	Conduit Connection	Area Code	Power	Voltage	Approval
Solenoid Valve	ASCO, WSNFET8327B102	-60 °C to +60 °C	316SS	M20	II 2G Ex d IIC Gb T6, II 2D Ex tb IIIC Db IP66/67	3.6W	24 V DC	ATEX / IECEx
Solenoid Valve	ASCO, WSNFET8327A608	-60 °C to +60 °C	316SS	M20	II 2G Ex d IIC Gb T6/T5, II 2D Ex tb IIIC Db IP66/67	10W	24 V DC	ATEX / IECEx
Solenoid Valve	ASCO, WSNFET8551A321	-60 °C to +80 °C	316SS	M20	II2G Ex db IIC Gb T6/T5, II2D Ex tb IIIC Db IP66/67	1.85W	24 V DC	ATEX / IECEx
Solenoid Valve	ASCO, WSNFET8553A321	-60 °C to +80 °C	316SS	M20	II2G Ex db IIC Gb T6/T5, II2D Ex tb IIIC Db IP66/67	1.85W	24 V DC	ATEX / IECEx
Solenoid Valve Namur	ASCO, WSNFET8327B105	-60 °C to +60 °C	316SS	M20	II2G Ex db IIC Gb T6, II2D Ex tb IIIC Db IP66/67	3.6W	24 VDC	ATEX / IECEx
Solenoid Valve Namur	ASCO, WSNFET8551A309	-60 °C to +80 °C	316SS	M20	II2G Ex db IIC Gb T6/T5, II2D Ex tb IIIC Db IP66/67	1.85W	24 VDC	ATEX / IECEx
Limit Switch	TOPWORX, DXP-L21GSMB/DXP-L21GNMB	-60 °C to 105 °C	TROPICALIZED ALUMINUM	2-off M20	Ex d IIB + H2 T6/T5/T4/T3 Gb, IP66/67	3A	24 VDC	ATEX / IECEx
Valve Positioner	FISHER DVC6200, HART-SIS	-40 °C to +85 °C	ALUMINUM	2-off M20	Ex d IIC T5/T6 Gb; Ex ia IIC/IIB T5/T6 Ga, IP66	4-20mA	24 VDC	IECEx
Solenoid Valve	ASCO, EVHTL8327H302	-20°C to 90°C	316SS	1/2" NPT(F) with 72" Lead wire	"Class I, Division 1, Groups A, B, C, D NEMA 7 Class II, Division 1, Groups E, F, G NEMA 9"	2.7W	24 VDC	UL & CSA
Solenoid Valve	ASCO, EVHTL8316G384V	-29°C to 60°C	316SS	1/2" NPT(F) with 72" Lead wire	"Class I, Division 1, Groups A, B, C, D NEMA 7 Class II, Division 1, Groups E, F, G NEMA 9"	1.8W	24 VDC	UL & CSA
Solenoid Valve	ASCO, EVHTL8551G321	-40°C to 60°C	316SS	1/2" NPT(F) with 72" Lead wire	"Class I, Division 1, Groups A, B, C, D NEMA 7 Class II, Division 1, Groups E, F, G NEMA 9"	1.8W	24 VDC	UL & CSA
Solenoid Valve	ASCO, EVHTL8553G321	-40°C to 60°C	316SS	1/2" NPT(F) with 72" Lead wire	"Class I, Division 1, Groups A, B, C, D NEMA 7 Class II, Division 1, Groups E, F, G NEMA 9"	1.8W	24 VDC	UL & CSA
Solenoid valve	ASCO, EVHTL8551G309	-40°C to 60°C	316SS	1/2" NPT(F) with 72" Lead wire	"Class I, Division 1, Groups A, B, C, D NEMA 7 Class II, Division 1, Groups E, F, G NEMA 9"	1.8W	24 VDC	UL & CSA
Solenoid valve	ASCO, EVHTL8327H305	-40°C to 60°C	316SS	1/2" NPT(F) with 72" Lead wire	"Class I, Division 1, Groups A, B, C, D NEMA 7 Class II, Division 1, Groups E, F, G NEMA 9"	2.7W	24 VDC	UL & CSA
Limit Switch	TOPWORX, DXP-L21GS4B/DXP-L21GN4B	-60 °C to 105 °C	TROPICALIZED ALUMINUM	2-off 3/4" NPT(F) & 2-off 1/2" NPT(F)	Class 1 Division 1, Groups C-D; Class 1 Division 2, Groups A, B, C, D; NEMA 4X	3A	24 VDC	UL & CSA
Valve Positioner	FISHER DVC6200, HART-SIS	-40 °C to +85 °C	ALUMINUM	2-off 1/2" NPT(F)	Class 1 Division 1, Groups B, C, D; Class 1 Division 2, Groups A, B, C, D; NEMA 4X	4-20mA	24 VDC	FM

Note: Configurations can be subjected to some late customization depending on project needs

Envelope Dimensions and Weights - Scotch Yoke VOS-PAC

Spring Return Actuator Model	Maximum Dimensions in (mm)			Weight lbs (kgs)
	L	W	H	
CBB315-SR60 (CW)	26(661)	17.5(445)	17.5(445)	76(35)
CBB415-SR60 (CW)	26(661)	17.5(445)	17.5(445)	82(37)
CBB420-SR60 (CW)	30.5(775)	17.5(445)	17.5(445)	86(39)
CBB520-SR60 (CW)	30.5(775)	17.5(445)	17.5(445)	100(45)
CBB525-SR60 (CW)	33.5(851)	17.5(445)	18.5(470)	115(52)
CBB725-SR60 (CW)	33.5(851)	17.5(445)	18.5(470)	147(67)
CBA730-SR60 (CW)	36(915)	19.5(496)	20(508)	192(87)
CBA930-SR60 (CW)	36(915)	19.5(496)	20(508)	229(104)
G01009-SR4 (CW)	54.5(1385)	19(483)	19(483)	353(160)
G01010-SR4 (CW)	54.5(1385)	19(483)	19.5(496)	365(166)
G01012-SR4 (CW)	54.5(1385)	19(483)	20.5(521)	370(168)
G2014-SR4 (CW)	60(1524)	21(534)	22.5(572)	490(222)
G3016-SR2 (CW)	66.5(1690)	23.5(597)	24(610)	696(316)
G3016-SR4 (CW)	66.5(1690)	23.5(597)	24(610)	700(318)
G4020-SR2 (CW)	77(1956)	26(661)	28(712)	1150(522)
G4020-SR4 (CW)	77(1956)	26(661)	28(712)	1075(488)
G5024-SR4 (CW)	90(2286)	31(788)	32.5(826)	1895(860)
G5028-SR2 (CW)	90(2286)	31.5(801)	37.5(953)	2189(993)
G5028-SR4 (CW)	90(2286)	31.5(801)	37.5(953)	2150(975)
G7028-SR4 (CW)	107(2718)	35(889)	35(889)	3489(1583)
G7032-SR4 (CW)	107(2718)	35.5(902)	37(940)	3780(1715)
G8036-SR3 (CW)	141.5(3595)	39.5(1004)	41(1042)	6210(2817)
G10040-SR4 (CW)	171(4344)	47(1194)	44(1118)	8400(3810)

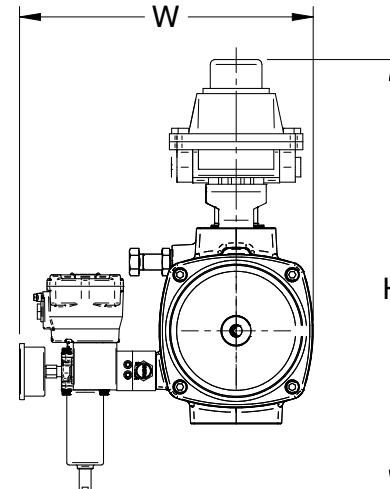
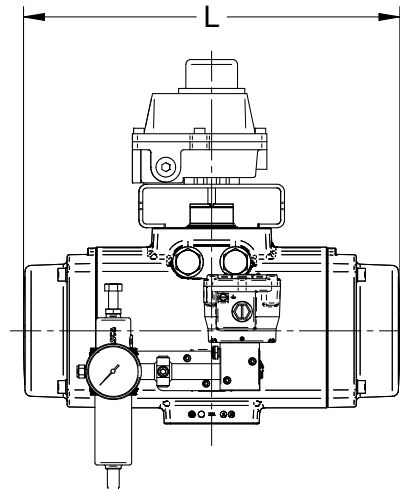
Double Acting Actuator Model	Maximum Dimensions in (mm)			Weight lbs (kgs)
	L	W	H	
CBB315	19.5(496)	15.5(394)	16(407)	58(26)
CBB420	21.5(547)	16.5(420)	16.5(420)	70(32)
CBB525	23.5(597)	17.5(445)	17(432)	95(43)
CBB725	24(610)	17.5(445)	17(432)	110(50)
CBA730	28(712)	19.5(496)	18.5(470)	160(73)
G01010	26(661)	19(483)	18(458)	203(92)
G2012	28(712)	20.5(521)	19(483)	241(109)
G3014	32.5(826)	23.5(597)	20(508)	321(146)
G3016	32.5(826)	23.5(597)	21(534)	374(170)
G4016	39.5(1004)	26(661)	22(559)	500(227)
G4020	39.5(1004)	26(661)	24.5(623)	600(272)
G5020	48(1220)	32(813)	25.5(648)	933(423)
G5024	48.5(1232)	32(813)	27.5(699)	1043(473)
G5028	48(1220)	32(813)	30(762)	1217(552)
G7028	60(1524)	36(915)	31(788)	1900(862)
G8036	69(1753)	39.5(1004)	37.5(953)	3341(1516)
G8040	68.5(1740)	41.5(1055)	41.5(1055)	3604(1635)
G10040	85(2159)	47(1194)	41.5(1055)	4824(2188)



Envelope Dimensions and Weights - Rack and Pinion VOS-PAC

Double Acting Actuator Model	Maximum Dimensions in (mm)			Weight lbs (kgs)
	L	W	H	
RPED0025-NU00CWALTN-L11SKB-00XX	10(254)	12.5(318)	16.5(420)	42(19)
RPED0040-NU00CWALTN-L14SKB-00XX	10(254)	13(331)	17(432)	43(20)
RPED0065-NU00CWALTN-L14SKB-00XX	10.5(267)	13(331)	17.5(445)	45(21)
RPED0100-NU00CWALTN-L19SKB-00XX	10(254)	13.5(343)	18(458)	46(21)
RPED0150-NU00CWALTN-L19SKB-00XX	10.5(267)	13.5(343)	18.5(470)	49(22)
RPED0200-NU00CWALTN-L22SKB-00XX	11(280)	13.5(343)	18.5(470)	52(24)
RPED0350-NU00CWALTN-L27SKB-00XX	12(305)	15.5(394)	20(508)	67(30)
RPED0600-NU00CWALTN-L27SKB-00XX	14.5(369)	16(407)	22(559)	89(40)
RPED0950-NU00CWALTN-L36SKB-00XX	16(407)	18(458)	20.5(521)	105(48)
RPED1600-NU00CWALTN-L46SKB-00XX	18.5(470)	20(508)	21(534)	140(64)
RPED2500-NU00CWALTN-L46SKB-00XX	22(559)	21.5(547)	22.5(572)	171(78)
RPED4000-NU00CWALTN-Q55SKB-00XX	26(661)	23.5(597)	24(610)	237(108)

Spring Return Actuator Model	Maximum Dimensions in (mm)			Weight lbs (kgs)
	L	W	H	
RPES0025-NU30CWALTN-L11SKB-00XX	10.5(267)	11(280)	16.5(420)	42(19)
RPES0040-NU30CWALTN-L14SKB-00XX	10.5(267)	11.5(293)	17.5(445)	43(20)
RPES0065-NU30CWALTN-L14SKB-00XX	10.5(267)	11.5(293)	17.5(445)	45(21)
RPES0100-NU30CWALTN-L19SKB-00XX	10.5(267)	11.5(293)	18(458)	48(22)
RPES0150-NU30CWALTN-L19SKB-00XX	12(305)	12(305)	18.5(470)	53(24)
RPES0200-NU30CWALTN-L22SKB-00XX	14.5(369)	12(305)	18.5(470)	56(26)
RPES0350-NU30CWALTN-L27SKB-00XX	15.5(394)	13.5(343)	20(508)	70(32)
RPES0600-NU30CWALTN-L27SKB-00XX	19(483)	15(381)	22(559)	95(43)
RPES0950-NU30CWALTN-L36SKB-00XX	26(661)	17(432)	20.5(521)	124(56)
RPES1600-NU30CWALTN-L46SKB-00XX	29(737)	19(483)	21(534)	184(84)
RPES2500-NU30CWALTN-L46SKB-00XX	34.5(877)	20.5(521)	2.5(64)	232(105)
RPES4000-NU30CWALTN-Q55SKB-00XX	38(966)	22.5(572)	24(610)	329(149)



World Area Configuration Centers (WACC) offer sales support, service, inventory and commissioning to our global customers. Choose the WACC or sales office nearest you:

NORTH & SOUTH AMERICA

19200 Northwest Freeway
Houston TX 77065
USA
T +1 281 477 4100

Av. Hollingsworth
325 Iporanga Sorocaba
SP 18087-105
Brazil
T +55 15 3413 8888

ASIA PACIFIC

No. 9 Gul Road
#01-02 Singapore 629361
T +65 6777 8211

No. 1 Lai Yuan Road
Wuqing Development Area
Tianjin 301700
P. R. China
T +86 22 8212 3300

MIDDLE EAST & AFRICA

P. O. Box 17033
Jebel Ali Free Zone
Dubai
T +971 4 811 8100

P. O. Box 10305
Jubail 31961
Saudi Arabia
T +966 3 340 8650

24 Angus Crescent
Longmeadow Business Estate East
P.O. Box 6908 Greenstone
1616 Modderfontein Extension 5
South Africa
T +27 11 451 3700

EUROPE

Holland Fasor 6
Székesfehérvár 8000
Hungary
T +36 22 53 09 50

Strada Biffi 165
29017 Fiorenzuola d'Arda (PC)
Italy
T +39 0523 944 411

www.emerson.com/VOSbyBettis

For complete list of sales and manufacturing sites, please visit www.emerson.com/actuationtechnologieslocations or contact us at info.actuationtechnologies@emerson.com

©2019 Emerson. All rights reserved.

The Emerson logo is a trademark and service mark of Emerson Electric Co. Bettis™ is a mark of the Emerson family of companies. All other marks are property of their respective owners.

