

Montageanleitung | Assembly instructions | Instructions de montage
 Istruzioni di montaggio | Instrucciones de montaje | Monteringsanvisning

Fußbefestigung für Serie SSI
 Foot mounting for Series SSI
 Fixation par patte d'équerre pour série SSI
 Fissaggio a piedini per serie SSI
 Fijación por pie para serie SSI
 Fotfäste för serie SSI

MS9

R412021771/09.2016

Replaces: 07.2014, DE/EN/FR/IT/ES/SV

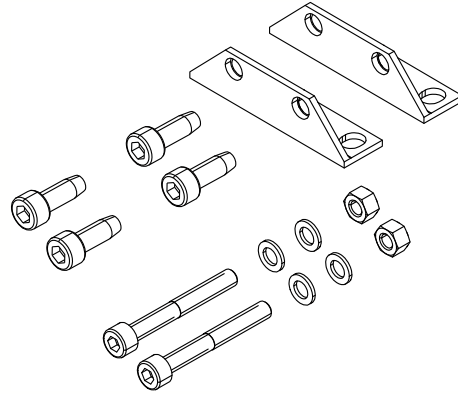
The data specified above only serve to describe the product. No statements concerning a certain condition or suitability for a certain application can be derived from our information. The given information does not release the user from the obligation of own judgement and verification. It must be remembered that our products are subject to a natural process of wear and aging.

An example configuration is depicted on the title page. The delivered product may thus vary from that in the illustration.

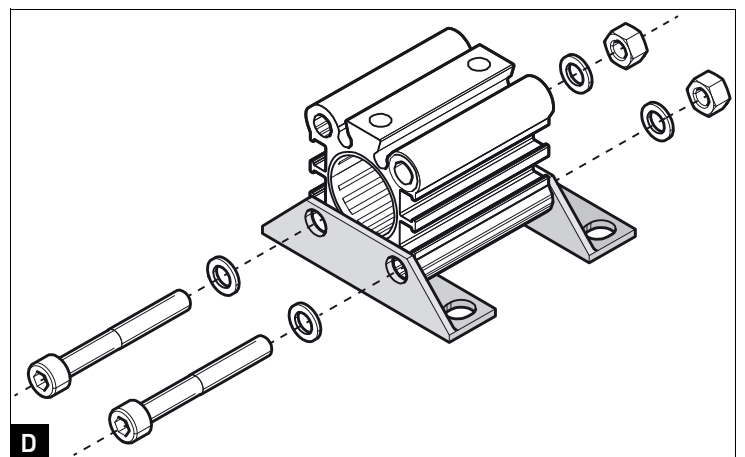
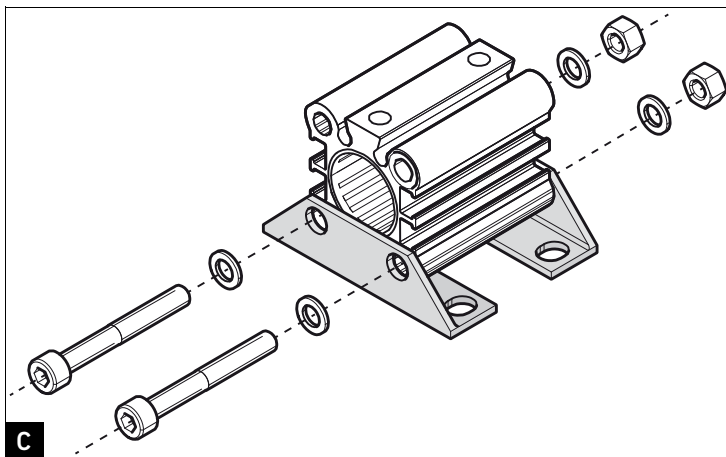
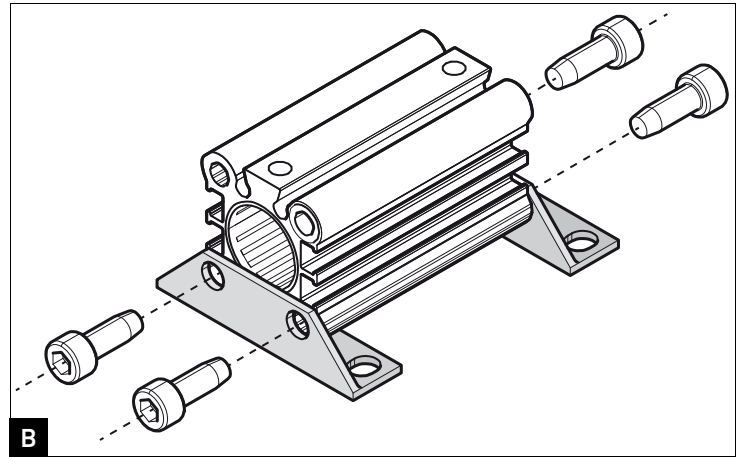
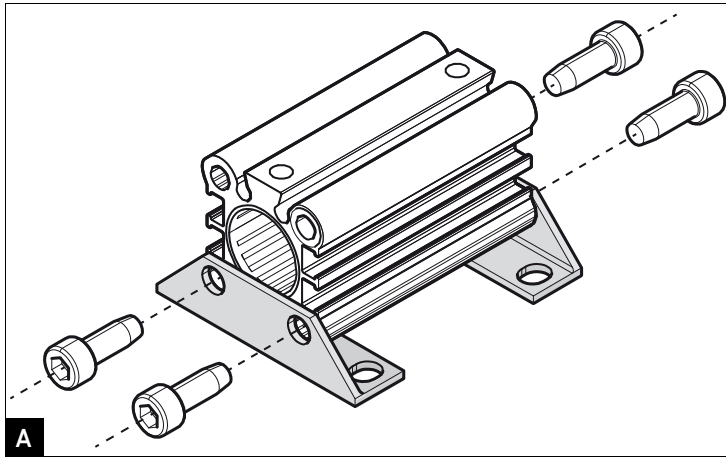
Translation of the original operating instructions. The original operating instructions were created in the German language.

R412021771-BAL-001-AC/09.2016
 Subject to modifications. © All rights reserved by AVENTICS GmbH, even and especially in cases of proprietary rights applications. It may not be reproduced or given to third parties without its consent.

Lieferumfang | Delivery contents | Fourniture
 Fornitura | Volumen de suministro | Leveransomfattning



Einbauoption | Installation option | Option de pose | Opzione di montaggio | Opción de montaje | Monteringsalternativ



Kolben-Ø Piston Ø Ø de piston Ø pistone Ø del émbolo Kolv-Ø [mm]	Einbauoptionen Installation options Options de pose Opzioni di montaggio Opciones de montaje Monteringsalternativ				Zylinderlänge Cylinder length Longueur de vérin Lunghezza cilindro Longitud de cilindro Cylinderlängd [mm] ¹⁾	Hub min. Min. stroke Course min. Corsa min. Carrera mín. Slag min. [mm] ²⁾ [mm] ³⁾		Befestigungsschraube Mounting screw Vis de fixation Vite di fissaggio Tornillo de fijación Fästskruv	Anzugsmoment Tightening torque Couple de serrage Coppia di serraggio Par de apriete Åtdragningsmoment [Nm]
	A	B	C	D					
12		•			21	2	4	M4	2,7 ± 5%
	•	•			22	2	5	M4	2,7 ± 5%
16		•			21	2	4	M4	2,7 ± 5%
	•	•			22	2	4	M4	2,7 ± 5%
20				•	23,5	2	4	M5	5,0 ± 5%
			•	•	26,5	2	7	M5	5,0 ± 5%
	•	•			29,5	2	10	M6	9,2 ± 5%
25				•	26,5	2	4	M5	5,0 ± 5%
	•	•			29,5	2	7	M6	9,2 ± 5%
32				•	27	2	4	M5	5,0 ± 5%
			•	•	29	2	6	M5	5,0 ± 5%
	•	•			35	2	12	M6	9,2 ± 5%
40			•	•	33,5	2	4	M5	5,0 ± 5%
	•	•			33,5	2	6	M6	9,2 ± 5%
50				•	34,5	2	4	M6	9,2 ± 5%
			•	•	39,5	2	9	M6	9,2 ± 5%
	•	•			45,5	5	15	M8	16 ± 5%
63				•	40	2	4	M8	20 ± 5%
			•	•	43	3	7	M8	20 ± 5%
	•	•			53	7	17	M10	24 ± 5%
80				•	47,5	2	4	M10	40 ± 5%
			•	•	51,5	2	8	M10	40 ± 5%
	•	•			61,5	8	18	M12	40 ± 5%
100				•	57	2	4	M10	40 ± 5%
			•	•	58	2	5	M10	40 ± 5%
	•	•			61	2	8	M12	40 ± 5%

1) inkl. Hub min. | including min. stroke | course min. include | incl. corsa min. | incl. carrera mín. | inkl. slag min.

2) mit Magnetkolben | with magnetic piston | Avec piston magnétique | con pistone magnetico | con émbolo magnético | med magnetkolv

3) ohne Magnetkolben | without magnetic piston | Sans piston magnétique | senza pistone magnetico | sin émbolo magnético | utan magnetkolv