

The ASCO ARCS are specially designed redundant solution for emergency shut down valves (ON/OFF valves)<sup>(1)</sup> and various redundant configurations (1oo2, 2oo2 & 2oo3) to meet both safety & availability.

ASCO ARCS 2oo3 redundant solenoid valve piloting system combines the advantages of both 1oo2 & 2oo2 systems to achieve a high level of process safety and reliability.

<sup>(1)</sup> For fail safe application of control valves, please contact ASCO representative

## Redundant Configurations

1oo2 - Redundancy built to achieve a high level of process safety

Hardware fault tolerant = 1 SIL3

2oo2 - Redundancy built to achieve high availability and prevent nuisance trips

Hardware fault tolerant = 0 SIL2

2oo3 - Redundancy built to achieve a high level of process safety and availability

Hardware fault tolerant = 1 SIL3

\*\* 2oo3 configuration with 3 channels and 3oo4 configuration with 4 channels wiring

## Solenoid Valves are Based on ASCO 327-Series, 3 Way

- Direct-acting solenoid valve technology
- Low friction = Low power = High reliability
- Reduced total cost of ownership (TCO)

## Options Available

- Aluminum or stainless steel solenoid operator option including Flameproof or Intrinsically safe
- Manual operator or manual reset function
- Pressure gauge, visual indicator (stainless steel)
- Solenoid valve diagnostics (pressure or go switch options)
- Options with Ex proof and intrinsically safe wiring for pressure switches
- High flow and low temperature available

## Full Range of Certifications and Approvals

327 certified for SIL applications (Exida)

Up to SIL 3 accreditation from Exida for redundant configuration

## Online Maintenance

Common by pass - allows online replacement of solenoid valve

Individual isolation - 2oo2 & 2oo3 - Hot swapping that allow on-line replacement of solenoid valve while maintaining the system capability to bring the process to safe mode in the event of an emergency.

## Features & Benefits

- Complete redundant solenoid valve configuration (1oo2/2oo2/2oo3)
- Compact and fully integrated module
- Direct valve-to-valve design
- Status indication & feedback
- Online maintenance-individual isolation / common bypass
- Safe & proven technology



## General

**Differential pressure** 1 - 10 bar [1 bar = 100kPa]  
**Maximum viscosity** 65 cSt (mm<sup>2</sup>/s)  
**Response times** 75 - 100 ms

Fluid	Temperature Range (TS)	Seal Materials
Dry & Non Lubricated Air	-20°C to +80°C	FPM <sup>(1)</sup>
	-40°C to +40°C	(F)VMQ

<sup>(1)</sup> Highflow limited to -10°C

## Specifications

Pipe Size	Operating Pressure		Power Level	Prefix Solenoid Options													Operation	Fluid Temperature Ts <sup>(3)</sup> (°C)	Material of Construction	Basic Solenoid Valve	Basic Ordering Code for Solenoid Valve						
				Exd			Ex e mb		Ex d m		Exi			Type 7/9								IP67	IP65				
				NF/WSNF	WSCR	JE	EM/WSCREM	VCEF/VCEV	NFIS/WSNFIS/WSCRIS	WSTIS	EV	EVHT	EVMF	EVMH	JBEF	WP/WS								SC			
1/4"	0/1 <sup>(2)</sup>	10	BP					*							*					Auto Reset	-20 to +120	SS316L	327G042	536408			
								*								*					Auto Reset	-40 to +55	SS316L	327G052	545554		
								*								*						Manual Reset	-20 to +120	SS316L	327G032	536407	
			MP	*	*		*									*	*					Auto Reset	-20 to +120	SS316L	327B202	536398	
				*			*									*	*					Auto Reset	-50 to +60	SS316L	327B212	545550	
				*			*									*	*					Manual Reset	-20 to +120	SS316L	327B232	536401	
			RP	*	*	*	*									*	*					Auto Reset	-20 to +120	SS316L	327B102	536397	
				*	*	*	*									*	*					Auto Reset	-50 to +60	SS316L	327B112	545549	
				*		*	*									*	*					Manual Reset	-20 to +120	SS316L	327B132	536400	
				*		*	*									*	*					Manual Reset	-50 to +60	SS316L	327B182	545552	
								*															Auto Reset	-20 to +120	SS316L	327H102	536404
								*															Manual Reset	-20 to +120	SS316L	327H132	536409
LP					*														Auto Reset	-50 to +60	SS316L	327H112	545555				
					*														Manual Reset	-50 to +60	SS316L	327H182	545556				
	*	*	*	*									*	*					Auto Reset	-20 to +120	Aluminium	327B103	536402				
	*	*	*	*							*									Auto Reset	-20 to +120	SS316L	327B302	536399			
	*	*	*	*							*									Auto Reset	-50 to +60	SS316L	327B312	545551			
	*	*	*	*																Manual Reset	-20 to +120	SS316L	327B332	536406			
1/2"			BP													*	*			Auto Reset	-50 to +60	SS316L	327B382	545553			
																	*	*			Auto Reset	-20 to +120	Aluminium	327B303	536405		
														*	*	*	*	*				Auto Reset	-20 to +60	SS316L	327H302	548533	
			MP														*	*				Auto Reset	-50 to +60	SS316L	327H312	548534	
																	*	*				Auto Reset	-10 to +90	SS316L	307B005 <sup>(1)</sup>	503838	
																	*	*				Auto Reset	-20 to +60	SS316L	327A610	543587	
			RP	*	*	*	*										*	*				Auto Reset	-50 to +60	SS316L	327A606	543588	
				*	*	*	*										*	*				Auto Reset	-10 to +90	SS316L	327A620	543589	
				*	*	*	*										*	*				Manual Reset	-40 to +40	SS316L	327A616	543590	

<sup>(1)</sup> For detail specification and dimensions, please refer to ASCO representative  
<sup>(2)</sup> Zero bar applicable for redundant configuration without online maintenance and diagnostic feature options only  
<sup>(3)</sup> Can be limited by the operator ambient temperature range for explosion proof solenoids

## Flow Rate

Size	Function	Flow Coefficient Kv	
		(m <sup>3</sup> /h)	(l/m)
1/4"	1o02	0.19	3.2
	2o02	0.39	6.5
	2o03	0.29	4.8
1/2"	1o02	0.39	6.5
	2o02	0.76	13
	2o03	0.64	11

## Explanation of Temperature Ranges of Solenoid Valves

**Valve temperature range** The valve temperature range (TS) is determined by the selected seal material, the temperature range for proper operation of the valve and sometimes by the fluid (e.g. steam)

**Operator ambient temperature range** The operator ambient temperature range is determined by the selected power level and the safety code

**Total temperature range** The temperature range of the complete solenoid valve is determined by the limitations of both temperature range above

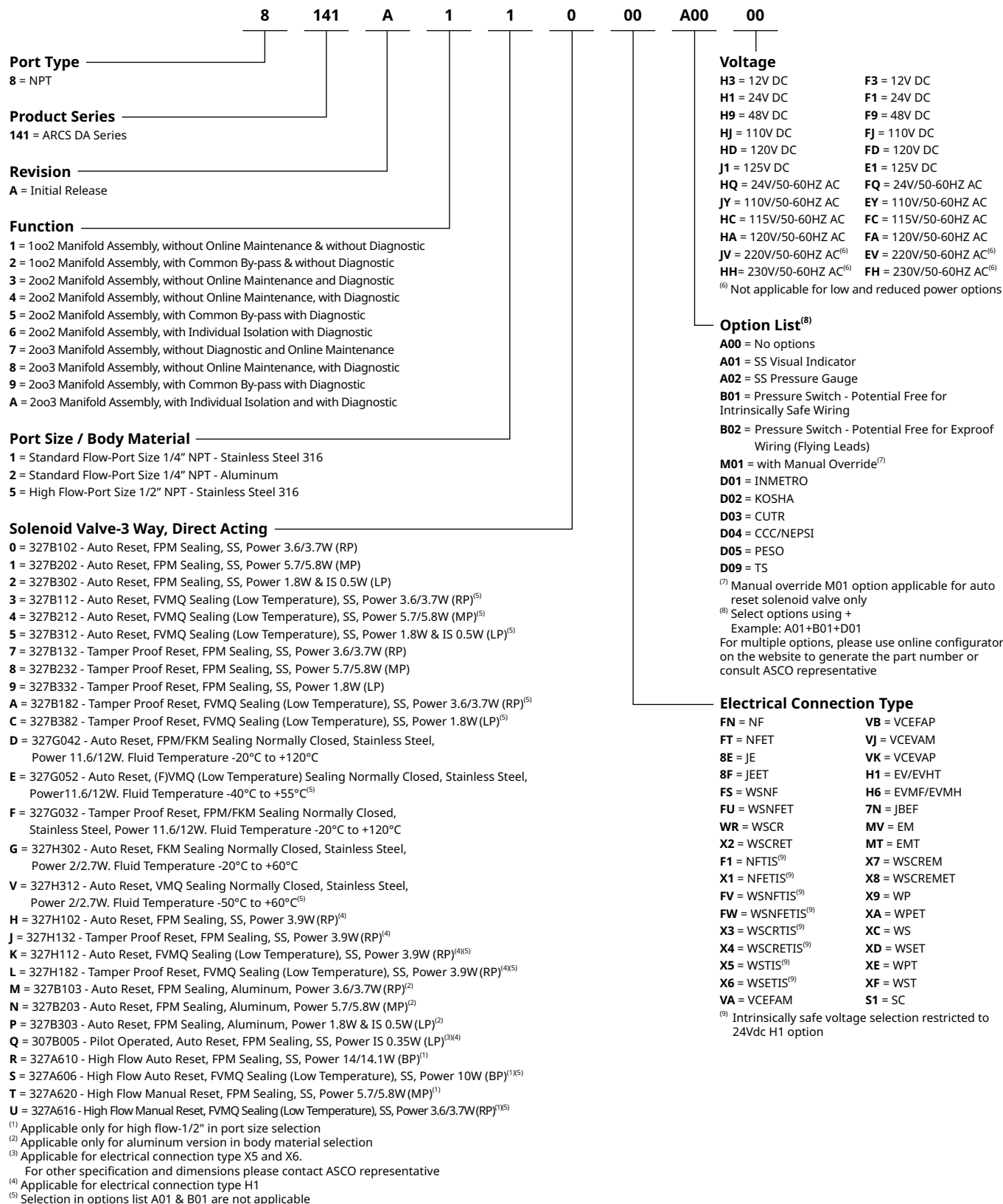
Electrical Characteristics

Prefix	Inrush (~)	Holding (~)	Power Rating		Operator Ambient Temperature Range (°C)	Safety Code	Coil Insulation Class	Electrical Enclosure Protection (EN60529)
	VA	VA	(~) W	Hot/Cold = W				
<b>Basic Power (BP)</b>								
VCEF/VCEV	12	12	12	11.6	-40 to +52/60	II 2GD Ex db mb IIC T6/T5 Gb Ex mb tb IIIC Db	F	IP66/67, Alu, SS
EV	12	12	12	11.6	-40 to +60	Class I, Division 1, Groups A, B, C, D, Class II, Division 1, Groups E, F, G	F	Type 7/9, moulded
JBEF	12	12	12	11.6	-40 to +60	Class I, Division 1, Groups B, C, D, Class II, Division 1, Groups E, F, G	F	"Type 7/9, moulded, Alu junction box"
JE	11.2	11.2	11.2	10	-40 to +60	Ex db IIC T4 Gb, Ex tb IIIC Db	H	IP66/67, Alu
NF/WSNF	14.1	14.1	14.1	11/14	-60 to +40/60/90	II2G Ex db IIC Gb T6/T5, II2D Ex tb IIIC Db	H	IP66/67, Alu/SS
WSCR	10	10	10	9/10	-60 to +25/60/90	II2G Ex db IIC Gb T5/T4/T3, II2D Ex t IIIC Db	H	IP66/67, SS
EM	14.1	14.1	14.1	11/14	-40 to +40	II2G Ex eb mb IIC Gb T3, II2D Ex tb IIIC Db	H	IP66/67, steel
WSCREM	10	10	10	9/10	-60 to +25/60/90	II2G Ex eb mb IIC Gb T5/T4/T3, II2D Ex tb IIIC Db	H	IP66/67, SS
WP/WS	14.1	14.1	14.1	11/14	-40 to +90	EN 60730	H	IP67, steel/SS
SC	14.1	14.1	14.1	11/14	-40 to +90	EN 60730	F	IP65, moulded
<b>Medium Power (MP)</b>								
JE	5.8	5.8	5.8	5.7	-10 to +60	Ex db IIC T5 Gb, Ex tb IIIC Db	H	IP66/67, Alu
NF/WSNF	5.8	5.8	5.8	5.2/5.7	-60 to +60/75/90	II2G Ex db IIC Gb T6/T5/T4, II2D Ex tb IIIC Db	H	IP66/67, Alu/SS
WSCR	5.8	5.8	5.8	5.2/5.7	-60 to +40/60/90	II2G Ex db IIC Gb T6/T4/T3, II2D Ex t IIIC Db	H	IP66/67, SS
EM	5.8	5.8	5.8	5.2/5.7	-40 to +40/75/90	II2G Ex eb mb IIC Gb T5/T4, II2D Ex tb IIIC Db	H	IP66/67, steel
WSCREM	5.8	5.8	5.8	5.2/5.7	-60 to +40/60/90	II2G Ex eb mb IIC Gb T6/T4, II2D Ex tb IIIC Db	H	IP66/67, SS
WP/WS	5.8	5.8	5.8	5.2/5.7	-40 to +90	EN 60730	H	IP67, steel/SS
SC	5.8	5.8	5.8	5.2/5.7	-40 to +90	EN 60730	F	IP65, moulded
<b>Reduced Power (RP)</b>								
VCEF	-	-	-	3.9	-40 to +52/60	II 2GD Ex db mb IIC T6/T5 Gb Ex mb tb IIIC Db	H	IP67, Alu
JE	3.7	3.7	3.7	3.6	-40 to +60	Ex db IIC T6 Gb, Ex tb IIIC Db	H	IP66/67, Alu
NF/WSNF	3.7	3.7	3.7	3.2/3.6	-60 to +60	II2G Ex db IIC Gb T6, II2D Ex tb IIIC Db	H	IP66/67, Alu/SS
WSCR	3.7	3.7	3.7	3.2/3.6	-60 to +40/60/90	II2G Ex db IIC Gb T6/T5/T4, II2D Ex t IIIC Db	H	IP66/67, SS
EM	3.7	3.7	3.7	3.2/3.6	-40 to +40/55	II2G Ex eb mb IIC Gb T6/T5 II2D Ex tb IIIC Db	H	IP66/67, steel
WSCREM	3.7	3.7	3.7	3.2/3.6	-60 to +40/60/90	II2G Ex eb mb IIC Gb T6/T5/T4, II2D Ex tb IIIC Db	H	IP66/67, SS
WP/WS	3.7	3.7	3.7	3.2/3.6	-40 to +55	EN 60730	H	IP67, steel/SS
SC	3.7	3.7	3.7	3.2/3.6	-40 to +55	EN 60730	F	IP65, moulded
<b>Low Power (LP)</b>								
JE	2	2	2	1.8	-40 to +60	Ex db IIC T6 Gb, Ex tb IIIC Db	H	IP66/67, Alu
(NF/WSNF/WSCR)	1.85	1.85	1.85	1.5/1.8	-60 to +55	II2G Ex db IIC Gb T6, II2D Ex tb IIIC Db	H	IP66/67, Alu/SS
WSCREM	1.85	1.85	1.85	1.5/1.8	-60 to +55	II2G Ex eb mb IIC Gb T6, II2D Ex tb IIIC Db	H	IP66/67, SS
EV	-	-	-	2	-20 to +60	Class I, Division 1, Groups A, B, C, D, Class II, Division 1, Groups E, F, G	F	Type 7/9, moulded
EVHT	-	-	-	2.7	-20 to +90	Class I, Division 1, Groups A, B, C, D, Class II, Division 1, Groups E, F, G	H	Type 7/9, moulded
EVMF	-	-	-	2.4	-50 to +60	Class I, Division 1, Groups A, B, C, D, Class II, Division 1, Groups E, F, G	F	Type 7/9, moulded, surge suppression
EVMH	-	-	-	2.9	-20 to +90	Class I, Division 1, Groups A, B, C, D, Class II, Division 1, Groups E, F, G	H	Type 7/9, moulded, surge suppression, High Ambient
JBEF	-	-	-	2	-40 to +60	Class I, Division 1, Groups B, C, D, Class II, Division 1, Groups E, F, G	F	Type 7/9, moulded, Alu junction box
<b>Intrinsically Safe (IS)</b>								
(NFIS/WSNFIS/ WSCRIS)	-	-	-	0.5	-40 to +60	II2G Ex ia IIC T6 Gb, II2D Ex tb IIIC Db	H	IP66/67, Alu/SS
WSTIS	-	-	-	0.4	-20 to +60	Ex ia IIC T6 Gb, Ex t IIIC Db	H	IP66/67, SS

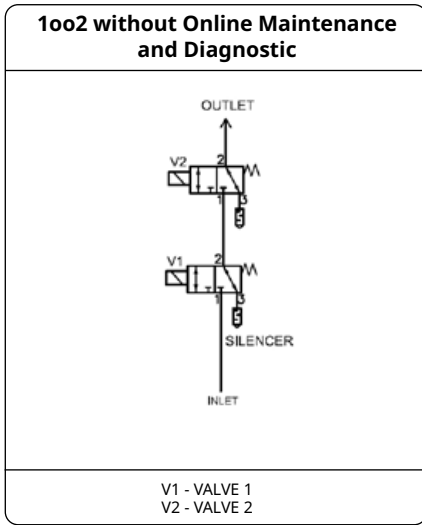
## Electrical Connections

Code	Connection	Prefix
FN	Solenoid Housing, Die Cast Aluminum, Explosion Proof with 1/2 NPT Cable Entry, Safety Code II2G Ex db IIC Gb T6/T5/T4, II2D Ex tb IIIC Db, ATEX/IEC Ex Certified	NF
FT	Solenoid Housing, Die Cast Aluminum, Explosion Proof with M20*1.5 Cable Entry, Safety Code II2G Ex db IIC Gb T6/T5/T4, II2D Ex tb IIIC Db, ATEX/IEC Ex Certified	NFET
8E	Dual Chamber Solenoid Housing, Die Cast Aluminum, Explosion Proof with 1/2 NPT Cable Entry, Safety Code: Ex db IIC T6/T5/T4 Gb, Ex tb IIIC Db, ATEX/IEC Ex Certified	JE
8F	Dual Chamber Solenoid Housing, Die Cast Aluminum, Explosion Proof with M20 * 1.5 Cable Entry, Safety Code: Ex db IIC T6/T5/T4 Gb, Ex tb IIIC Db, ATEX/IEC Ex Certified	JEET
F5	Solenoid Housing, Stainless Steel, Explosion Proof with 1/2 NPT Cable Entry, Safety Code II2G Ex db IIC Gb T6/T5/T4, II2D Ex tb IIIC Db (WSNF-IECEx) ATEX/IEC Ex Certified	WSNF
FU	Solenoid Housing, Stainless Steel, Explosion Proof with M20 * 1.5 Cable Entry, Safety Code II2G Ex db IIC Gb T6/T5/T4, II2D Ex tb IIIC Db, (WSNF-IEC Ex) ATEX/IEC Ex Certified	WSNFET
WR	Solenoid Housing, Stainless Steel, Explosion Proof with 1/2 NPT Cable Entry, Safety Code II2G Ex db IIC Gb T6/T5/T4/T3, II2D Ex t IIIC Db, (WSCR-IEC Ex) ATEX/IEC Ex Certified	WSCR
X2	Solenoid Housing, Stainless Steel, Explosion Proof with M20 * 1.5 Cable Entry, Safety Code II2G Ex db IIC Gb T6/T5/T4/T3, II2D Ex t IIIC Db, (WSCR-IEC Ex) ATEX/IEC Ex Certified	WSCRET
F1	Solenoid Housing, Die Cast Aluminum, Intrinsically Safe with 1/2 NPT Cable Entry, Safety Code II2G Ex ia IIC Gb T6, II2D Ex tb IIIC Db (Standard Flow Only), ATEX/IEC Ex Certified	NFTIS
X1	Solenoid Housing, Die Cast Aluminum, Intrinsically Safe with M20 * 1.5 Cable Entry, Safety Code II2G Ex ia IIC Gb T6, II2D Ex tb IIIC Db (Standard Flow Only), ATEX/IEC Ex Certified	NFETIS
FV	Solenoid Housing, Stainless Steel, Intrinsically Safe with 1/2 NPT Cable Entry, Safety Code II2G Ex ia IIC Gb T6, II2D Ex tb IIIC Db (Standard Flow Only), ATEX/IEC Ex Certified	WSNFETIS
FW	Solenoid Housing, Stainless Steel, Intrinsically Safe with M20*1.5 Cable Entry, Safety Code II2G Ex ia IIC Gb T6, II2D Ex tb IIIC Db (Standard Flow Only), ATEX/IEC Ex Certified	WSNFETIS
X3	Solenoid Housing, Stainless Steel, Intrinsically Safe with 1/2 NPT Cable Entry, Safety Code: II2G Ex ia IIC Gb T6, II2D Ex tb IIIC Db (Standard Flow Only), ATEX/IEC Ex Certified	WSCRITIS
X4	Solenoid Housing, Stainless Steel, Intrinsically Safe with M20 * 1.5 Cable Entry, Safety Code: II2G Ex ia IIC Gb T6, II2D Ex tb IIIC Db (Standard Flow Only), ATEX/IEC Ex Certified	WSCRETIS
X5	Solenoid Housing, Stainless Steel, Intrinsically Safe with 1/2 NPT Cable Entry, Safety Code: Ex ia IIC Gb T6, Ex t IIIC Db (Standard Flow Only), CCOE	WSTIS
X6	Solenoid Housing, Stainless Steel, Intrinsically Safe with M20 * 1.5 Cable Entry, Safety Code: Ex ia IIC Gb T6, Ex t IIIC Db (Standard Flow Only), CCOE	WSETIS
VA	Solenoid Housing, Die Cast Aluminum, Explosion Proof with 1/2 NPT Cable Entry, Safety Code II2G Ex db mb IIC Gb T6/T5, II2D Ex mb tb IIIC Db (Standard Flow Only), Top Cable Entry, ATEX/IEC Ex Certified	VCEFAM
VB	Solenoid Housing, Die Cast Aluminum, Explosion Proof with M20*1.5 Cable Entry, Safety Code II2G Ex db mb IIC Gb T6/T5, II2D Ex mb tb IIIC Db (Standard Flow Only), Top Cable Entry, ATEX/IEC Ex Certified	VCEFAP
VJ	Solenoid Housing, Stainless Steel, Explosion Proof with 1/2 NPT Cable Entry, Safety Code II2G Ex db mb IIC Gb T6/T5, II2D Ex mb tb IIIC Db (Standard Flow Only), Top Cable Entry, ATEX/IEC Ex Certified	VCEVAM
VK	Solenoid Housing, Stainless Steel, Explosion Proof with M20*1.5 Cable Entry, Safety Code II2G Ex db mb IIC Gb T6/T5, II2D Ex mb tb IIIC Db (Standard Flow Only), Top Cable Entry, ATEX/IEC Ex Certified	VCEVAP
MV	Solenoid Housing, Steel, Increased Safety with 1/2"NPT Cable Entry, Safety Code: II2G Ex eb mb IIC Gb T6/T5/T4/T3, II2D Ex tb IIIC Db, ATEX/IEC Ex Certified	EM
MT	Solenoid Housing, Steel, Increased Safety with M20 *1.5 Cable Entry, Safety Code: II2G Ex eb mb IIC Gb T6/T5/T4/T3, II2D Ex tb IIIC Db, ATEX/IEC Ex Certified	EMT
X7	Solenoid Housing, Stainless Steel, Increased Safety with 1/2"NPT Cable Entry, Safety Code: II2G Ex eb mb IIC Gb T6/T5/T4/T3, II2D Ex tb IIIC Db, ATEX/IEC Ex Certified	WSCREM
X8	Solenoid Housing, Stainless Steel, Increased Safety with M20 *1.5 Cable Entry, Safety Code: II2G Ex eb mb IIC Gb T6/T5/T4/T3, II2D Ex tb IIIC Db, ATEX/IEC Ex Certified	WSCREMET
X9	Waterproof IP67 - with M20*1.5 Cable Gland, Metal Enclosure	WP
XA	Waterproof IP67 - M20*1.5 Cable Entry, Metal Enclosure	WPET
XC	Waterproof IP67 - with M20*1.5 Cable Gland, Stainless Steel Enclosure	WS
XD	Waterproof IP67 - M20*1.5 Cable Entry, Stainless Steel Enclosure	WSET
XE	Waterproof IP67 - 1/2"NPT Cable Entry, Metal Enclosure	WPT
XF	Waterproof IP67 - 1/2"NPT Cable Entry, Stainless Steel Enclosure	WST
S1	Spade Plug Connector (EN/IEC 60730), IP65	SC
H1	Explosionproof, Epoxy molded solenoid housing with integral ½" NPT stainless steel conduit hub and 18" leads, UL/CSA approvals, Class I Div 1 Groups A, B, C, D; Class II Div 1 Group E, F, G (UL/CSA -Solenoid only)	EV/EVHT
H6	Surge Suppression, Explosionproof, Epoxy Molded Solenoid Housing with Integral ½" NPT Stainless Steel Conduit Hub and 18" Leads, UL/CSA Approvals, Class I Div 1 Groups A, B, C, D; Class II Div 1 Group E, F, G, (UL/CSA -Solenoid Only)	EVMF/ EVMH
7N	Explosionproof Junction Box Enclosure, Die Cast Aluminum, ½" NPT Conduit Connection, UL/CSA Approvals, Class I, Div 1 Groups B, C, D; Class II, Div. 1, Groups E, F, G, (UL/CSA -Solenoid Only)	JBEF

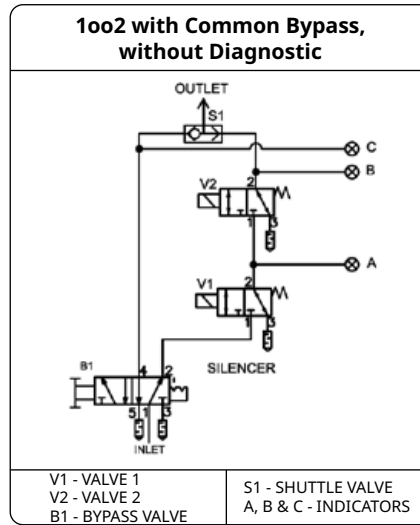
## How to Order



Disclaimer: Selection chart shown for reference. For detailed configuration/available options/other explosion proof operators, please use ARCS configurator in [www.asco.com](http://www.asco.com) or contact local ASCO sales office.



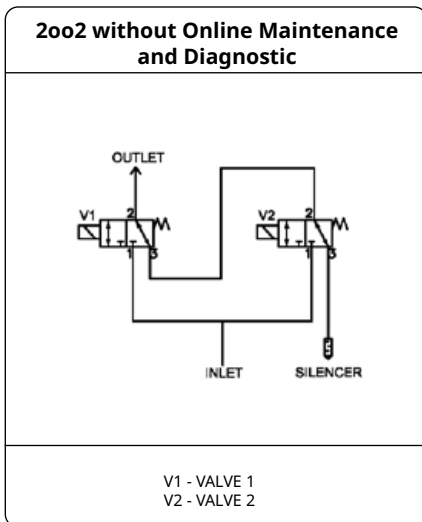
**Schematic 1**



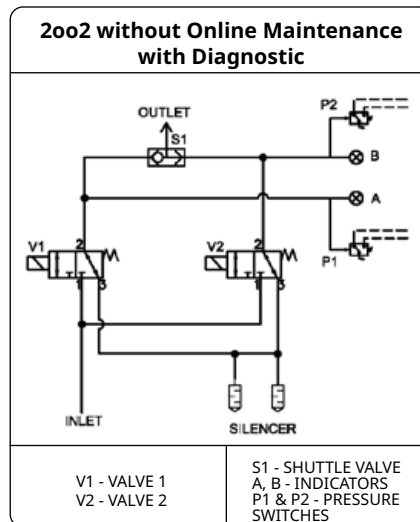
**Schematic 2**

1oo2 Logic Table		
CH 1	CH 2	Outlet
V1	V2	
1	1	1
1	0	0
0	1	0
0	0	0

CH 1 - CHANNEL 1  
CH 2 - CHANNEL 2  
0 - VALVE DE-ENERGIZED  
1 - VALVE ENERGIZED



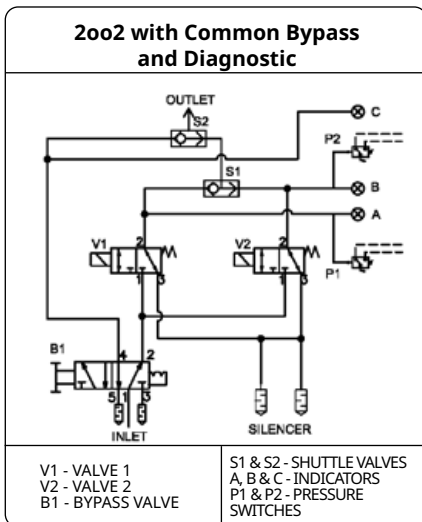
**Schematic 3**



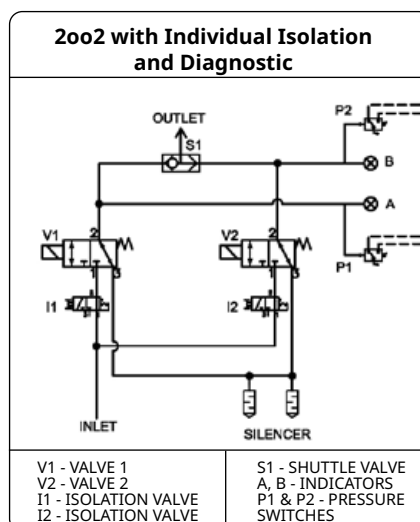
**Schematic 4**

2oo2 Logic Table		
CH 1	CH 2	Outlet
V1	V2	
1	1	1
1	0	1
0	1	1
0	0	0

CH 1 - CHANNEL 1  
CH 2 - CHANNEL 2  
0 - VALVE DE-ENERGIZED  
1 - VALVE ENERGIZED

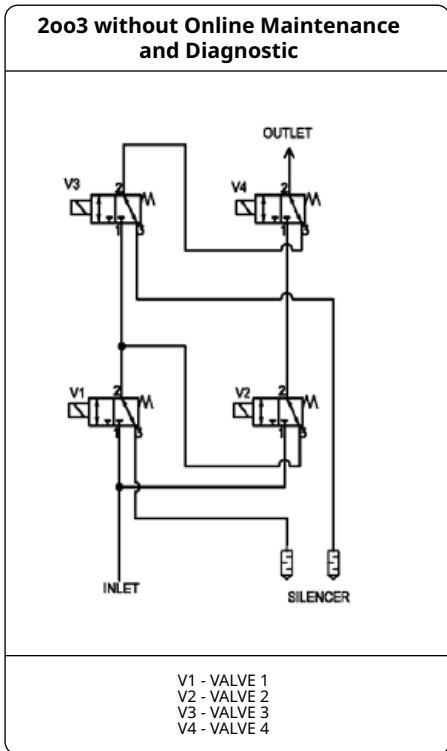


**Schematic 5**

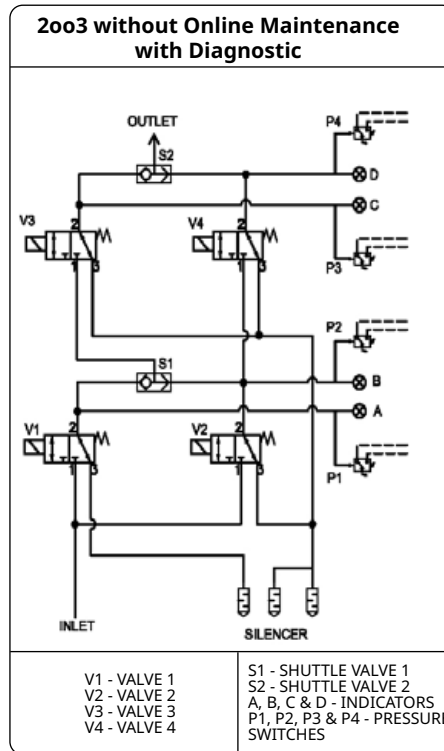


**Schematic 6**





**Schematic 7**

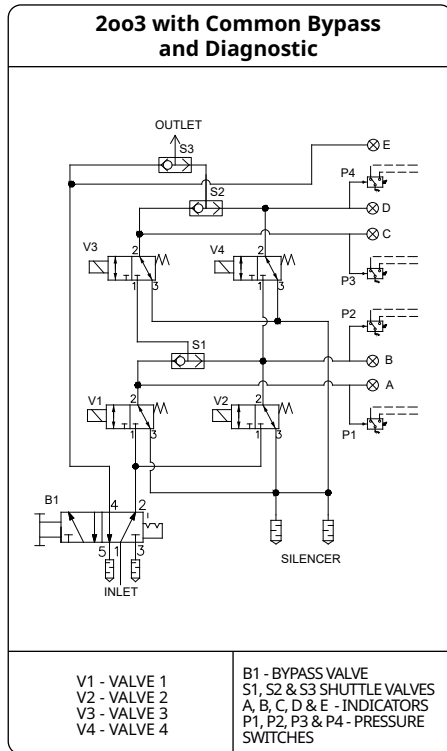


**Schematic 8**

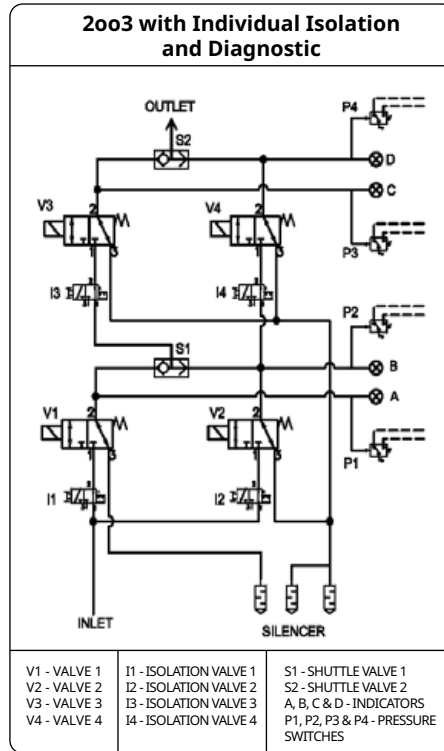
**2oo3 Logic Table\***

CH 1	CH 2	CH 3	Outlet	
V1	V2	V3	V4	
1	0	0	0	0
1	1	0	0	0
1	1	1	0	1
1	1	1	1	1
0	1	0	0	0
0	1	1	0	0
0	1	1	1	1
0	1	0	1	1
0	0	1	0	0
0	0	1	1	0
1	0	1	1	1
1	0	1	0	1
0	0	0	1	0
1	0	0	1	1
1	1	0	1	1
0	0	0	0	0

CH 1 - CHANNEL 1  
CH 2 - CHANNEL 2  
CH 3 - CHANNEL 3  
0 - VALVE DE-ENERGIZED  
1 - VALVE ENERGIZED  
\* FOR SCHEMATIC - 7



**Schematic 9**



**Schematic A**

**2oo3 Logic Table\***

CH 1	CH 2	CH 3	Outlet	
V1	V4	V2	V3	
1	0	0	0	0
1	0	1	0	0
1	0	1	1	1
1	1	1	1	1
0	0	1	0	0
0	0	1	1	1
0	1	1	1	1
0	1	1	0	1
0	0	0	1	0
0	1	0	1	0
1	1	0	1	1
1	0	0	1	1
0	1	0	0	0
1	1	0	0	0
1	1	1	0	1
0	0	0	0	0

CH 1 - CHANNEL 1  
CH 2 - CHANNEL 2  
CH 3 - CHANNEL 3  
0 - VALVE DE-ENERGIZED  
1 - VALVE ENERGIZED  
\* FOR SCHEMATIC - 8, 9, A

**Dimensions: mm Weight: kg**



**TYPE 01:**  
Epoxy moulded  
SC : IEC 335 / ISO 4400

**327B102/202/103/203/132/232/112/212/182  
327A610/606/616/620**



**TYPE 02:**  
Metal, epoxy coated / AISI 316 SS  
WP / WS : IEC 335  
EM / WSEM : EN/IEC 60079-7, 60079-18  
EN/IEC 60079-31

**327B102/202/103/203/132/232/112/212/182  
327A610/606/616/620**



**TYPE 03:**  
Aluminum, epoxy coated / AISI 316L SS  
NF / WSNF : EN/IEC 60079-1, 60079-31  
NFIS / WSNFIS : EN/IEC 60079-11,  
60079-31

**327B102/202/302/103/203/303/132/232/112/212/182/312  
327A610/606/616/620**



**TYPE 04:**  
AISI 316L SS  
WSCR : EN/IEC 60079-0, 60079-1, 60079-31  
WSCREM : EN/IEC 60079-0, 60079-7, 60079-18  
EN/IEC 60079-31  
WSCRIS : EN/IEC 60079-0, 60079-11, 60079-31

**327B102/202/302/332/112/312/382  
327A610/606/616/620**



**TYPE 05:**  
Epoxy painted die cast aluminum/316L SS  
VCEF : EN/IEC 60079-0, 60079-1,  
60079-18, 60079-31  
EN/ISO 80079-36  
VCEV : EN/IEC 60079-1, 60079-18,  
60079-31, 13463-1

**327H102/132/112/182  
327G032/042/052**



**TYPE 06:**  
Epoxy painted die cast aluminum  
JE : EN/IEC 60079-0, 60079-1, 60079-31

**327B102/B112/B302/B312/B132/B182  
327A610/606/616/620**



**TYPE 07:**  
Epoxy moulded, Type 7/9  
EV/EVHT : Class I, Division 1, Groups A, B, C, D,  
Class II, Division 1, Groups E, F, G  
EVMF/EVMH : Surge Suppression,  
Class I, Division 1, Groups A, B, C, D,  
Class II, Division 1, Groups E, F, G

**327G032/G042/G052/H302/H312**



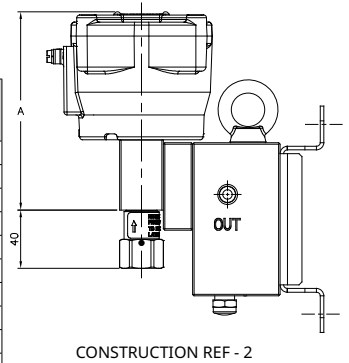
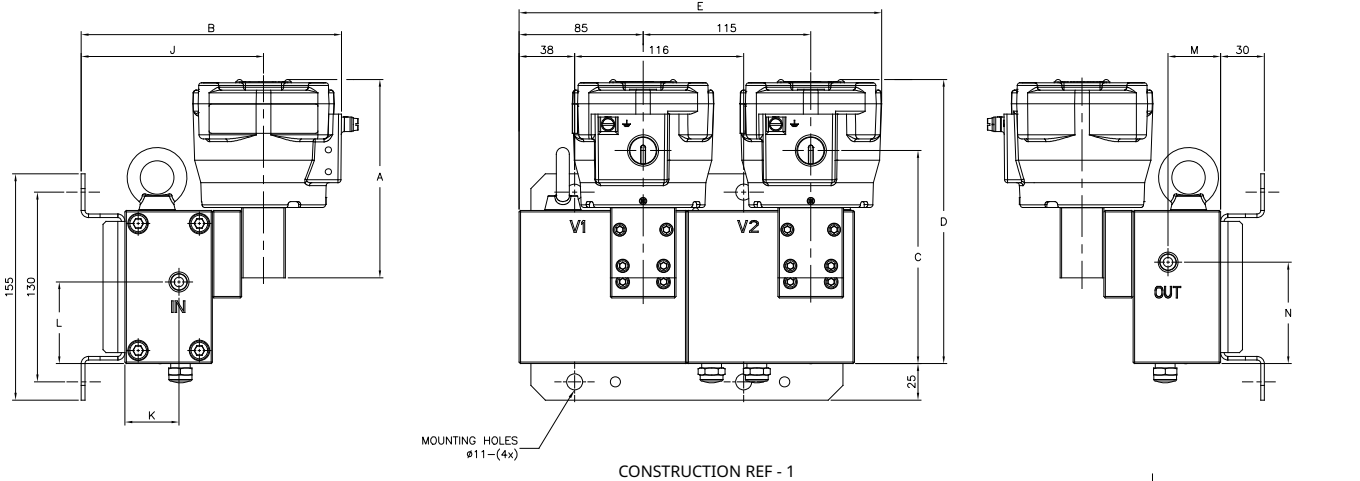
**TYPE 08:**  
Epoxy moulded, aluminum junction box, Type 7/9  
JBFEF : Class I, Division 1, Groups B, C, D,  
Class II, Division 1, Groups E, F, G

**327G032/G042/G052/H302/H312**



Dimensions: mm Weight: kg

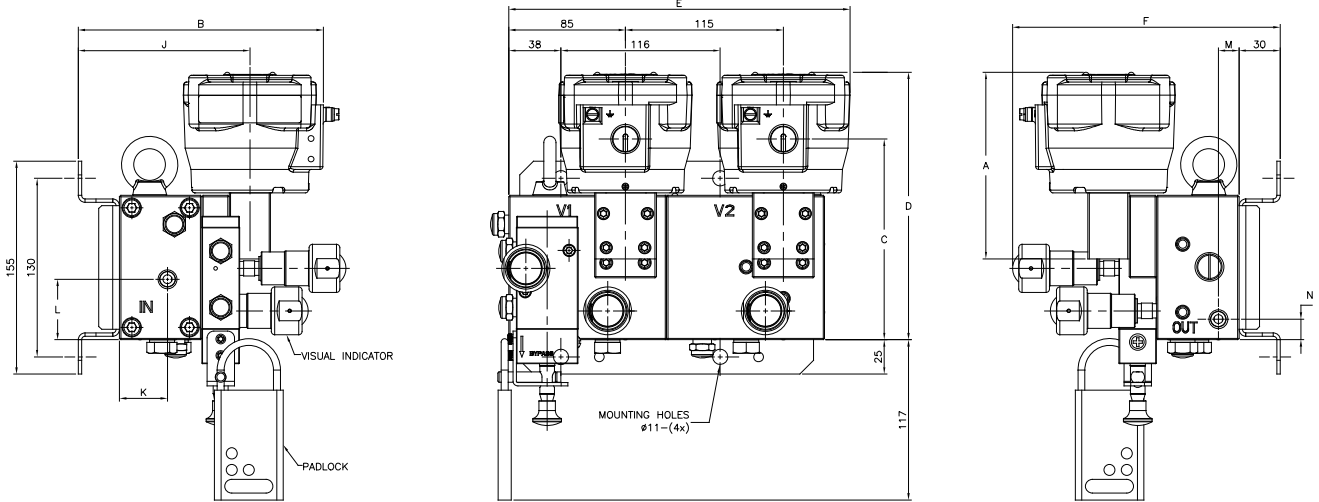
## 1002 Configuration without Online Maintenance and Diagnostic



Construction Ref	Basic Catalog No.	Type	Enclosure	A	B	C	D	E	J	K	L	M	N	Approx. Weight (Kg)
1 (AUTO RESET)	327B102/112/ 202/212	01	SC	109	190	-	168	230	125	37	56	36	70	16
		02	WP/WS/EM	112	205	-	171	239						17
		03	NF/WSNF	136	180	146	195	249						19/21
		04	WSCR/WSCREM	140	200	160	199	246						20
	327B102/112	06	JE	130	239	-	189	240						18
		03	NF/WSNF/NFIS/WSNFIS	146	180	156	205	249						19/21
	327B302/312	04	WSCR/WSCREM/WSCRIS	140	200	160	199	246						20
		06	JE	130	239	-	189	240						18
	327B103/203	01	SC	109	190	-	168	230						8
		02	WP/EM	112	205	-	171	239						8
		03	NF	136	180	146	195	249						11
	327B303	03	NF/NFIS	146	180	156	205	249						11
	327H102/112	05	VCEFAM/VCEFAP	109	230	-	168	233						17
		05	VCEFAM/VCEFAP/ VCEVAM/VCEVAP	109	230	-	168	233						17/18
	327G042/052	07	EV	99	177	133	158	230						17
		08	JBEF	118	281	134	177	244						19
		07	EV/EVHT/EVME/EVMH	102	183	134	161	231						17
	327H312/302	08	JBEF	118	281	134	177	244						19
		327A610/606	01	SC	134	175	-	166						230
	02		WP/WS/EM	140	185	126	171	239						17
03	NF/WSNF		163	160	145	194	249	18/21						
04	WSCR/WSCREM		167	180	159	198	246	20						
2 (MO/MANUAL RESET)	327B132/182/232	06	JE	147	219	-	178	240	18					
		01	SC	109	190	-	168	230	16					
		02	WP/WS/EM	112	205	-	171	239	17					
	327B132/182	03	NF/WSNF	136	180	146	195	249	20/22					
		06	JE	130	239	-	189	240	18					
	327B332/382	04	WSCR/WSCREM	140	200	160	199	246	21					
		05	VCEFAM/VCEFAP/ VCEVAM/VCEVAP	109	230	-	168	233	17/18					
	327G032	07	EV	99	177	133	158	230	17					
		08	JBEF	118	281	134	177	244	21					
		05	VCEFAM/VCEFAP	109	230	-	168	233	17					
	327H132/182	05	VCEFAM/VCEFAP	109	230	-	168	233	17					
		01	SC	134	175	-	166	230	16					
327A620/616	03	NF/WSNF	163	160	145	194	249	19/21						
	04	WSCR/WSCREM	167	180	159	198	246	20						
	06	JE	147	219	-	178	240	19						
	02	WP/WS/EM	140	185	126	171	239	17						

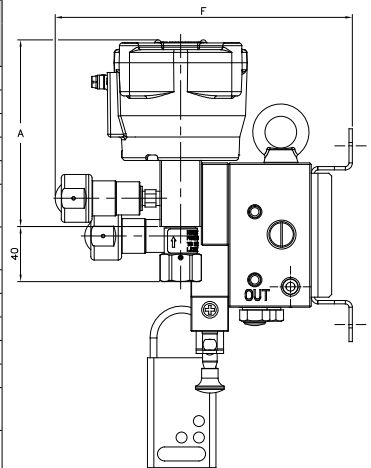
**Dimensions: mm Weight: kg**

**1002 Configuration with Common Bypass, without Diagnostic**



CONSTRUCTION REF - 1

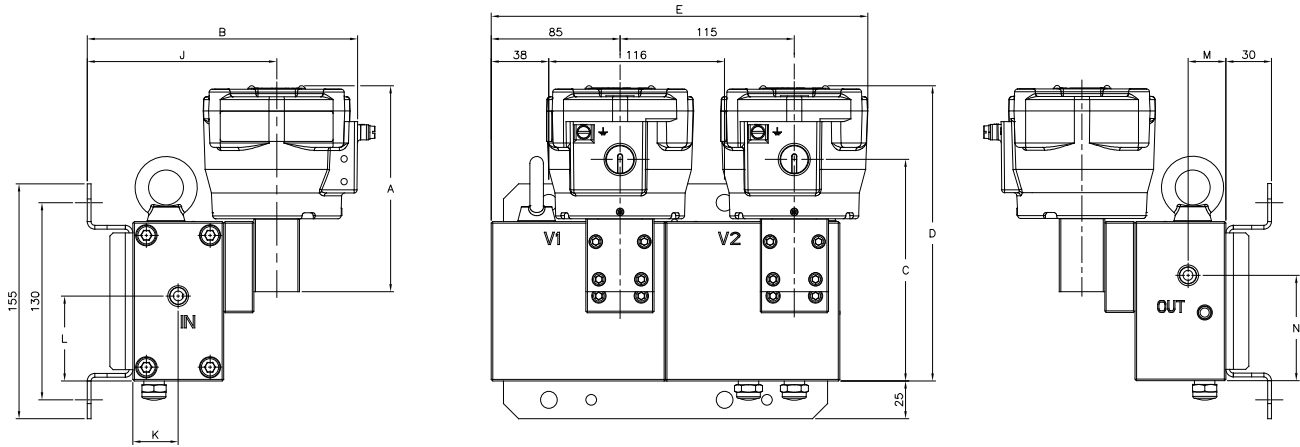
Construction Ref	Basic Catalog No.	Type	Enclosure	A	B	C	D	E	J	K	L	M	N	F		Approx. Weight (Kg)		
														Visual Indicator	Pressure Gauge			
1 (AUTO RESET)	327B102/112/ 202/212	01	SC	109	190	-	168	230									18	
		02	WP/WS/EM	112	205	-	171	239									19	
		03	NF/WSNF	136	180	146	195	249									21/23	
		04	WSCR/WSCREM	140	200	160	199	246									22	
	327B102/112	06	JE	130	239	-	189	240									20	
	327B302/312	03	NF/WSNF/NFIS/ WSNFIS	146	180	156	205	249										21/23
		04	WSCR/WSCREM/ WSCRIS	140	200	160	199	246										22
		06	JE	130	239	-	189	240										20
	327B103/203	01	SC	109	190	-	168	230										10
		02	WP/EM	112	205	-	171	239										10
		03	NF	136	180	146	195	249	125	35	44	15	15	195	202		13	
	327B303	03	NF/NFIS	146	180	156	205	249										13
	327H102/112	05	VCEFAM/ VCEFAP	109	230	-	168	233										19
	327G042/052	05	VCEFAM/ VCEFAP/ VCEVAM/ VCEVAP	109	230	-	168	233										19/20
		07	EV	99	177	133	158	230										19
		08	JBEF	118	281	134	177	244										21
	327H312/302	07	EV/EVHT/EVMF/ EVMH	102	183	134	161	231										19
		08	JBEF	118	281	134	177	244										21
	327A610/606	01	SC	134	175	-	166	230										19
		02	WP/WS/EM	140	185	126	171	239										19
03		NF/WSNF	163	160	145	194	249	105	33	34	20	50	202	181		20/23		
04		WSCR/WSCREM	167	180	159	198	246										22	
06		JE	147	219	-	178	240										20	
01		SC	109	190	-	168	230										18	
2 (MO/MANUAL RESET)	327B132/182/232	02	WP/WS/EM	112	205	-	171	239									19	
		03	NF/WSNF	136	180	146	195	249									22/23	
		06	JE	130	239	-	189	240									20	
	327B332/382	04	WSCR/WSCREM	140	200	160	199	246									23	
	327G032	05	VCEFAM/ VCEFAP/ VCEVAM/ VCEVAP	109	230	-	168	233		125	35	44	15	15	217	224		19/20
		07	EV	99	177	133	158	230										19
		08	JBEF	118	281	134	177	244										21
	327H132/182	05	VCEFAM/ VCEFAP	109	230	-	168	233										19
	327A620/616	01	SC	134	175	-	166	230										19
		03	NF/WSNF	163	160	145	194	249										21/23
		04	WSCR/WSCREM	167	180	159	198	246	105	33	34	20	50	202	181		22	
		06	JE	147	219	-	178	240										21
	327A616	02	WP/WS/EM	140	185	126	171	239										19



CONSTRUCTION REF - 2

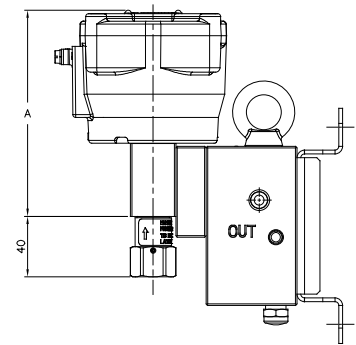
Dimensions: mm Weight: kg

2oo2 Configuration without Online Maintenance and Diagnostic



CONSTRUCTION REF - 1

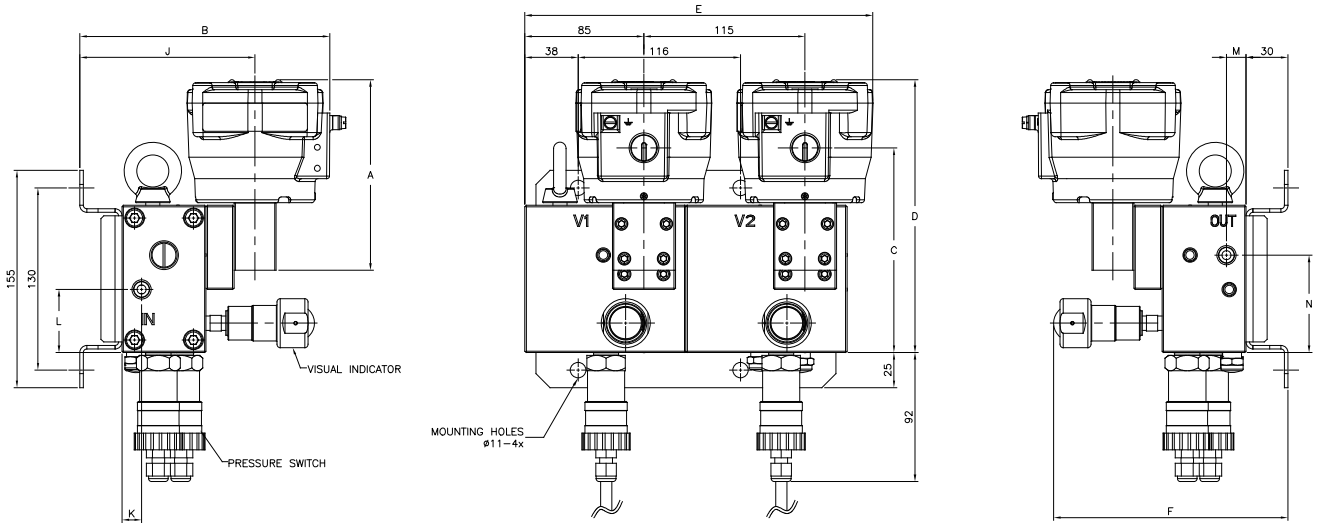
Construction Ref	Basic Catalog No.	Type	Enclosure	A	B	C	D	E	J	K	L	M	N	Approx. Weight (Kg)
1 (AUTO RESET)	327B102/112/ 202/212	01	SC	109	190	-	168	230	125	30	56	25	70	16
		02	WP/WS/EM	112	205	-	171	239						17
		03	NF/WSNF	136	180	146	195	249						19/21
		04	WSCR/WSCREM	140	200	160	199	246						20
	327B102/112	06	JE	130	239	-	189	240						18
	327B302/312	03	NF/WSNF/NFIS/ WSNFIS	146	180	156	205	249						19/21
		04	WSCR/WSCREM/ WSCRIS	140	200	160	199	246						20
		06	JE	130	239	-	189	240						18
	327B103/203	01	SC	109	190	-	168	230						8
		02	WP/EM	112	205	-	171	239						8
		03	NF	136	180	146	195	249						11
	327B303	03	NF/NFIS	146	180	156	205	249						11
	327H102/112	05	VCEFAM/ VCEFAP	109	230	-	168	233						17
	327G042/052	05	VCEFAM/ VCEFAP/ VCEVAM/ VCEVAP	109	230	-	168	233						17/18
		07	EV	99	177	133	158	230						17
		08	JBEF	118	281	134	177	244						19
	327H312/302	07	EV/EVHT/EVMF/ EVMH	102	183	134	161	231						17
		08	JBEF	118	281	134	177	244						19
	327A610/606	01	SC	134	175	-	166	230						17
		02	WP/WS/EM	140	185	126	171	239						17
03		NF/WSNF	163	160	145	194	249	18/21						
04		WSCR/WSCREM	167	180	159	198	246	20						
06		JE	147	219	-	178	240	18						
2 (MO/MANUAL RESET)	327B132/182/232	01	SC	109	190	-	168	230	16					
		02	WP/WS/EM	112	205	-	171	239	17					
		03	NF/WSNF	136	180	146	195	249	20/22					
	327B132/182	06	JE	130	239	-	189	240	18					
	327B332/382	04	WSCR/WSCREM	140	200	160	199	246	21					
	327G032	05	VCEFAM/ VCEFAP/ VCEVAM/ VCEVAP	109	230	-	168	233	17/18					
		07	EV	99	177	133	158	230	17					
		08	JBEF	118	281	134	177	244	19					
	327H132/182	05	VCEFAM/ VCEFAP	109	230	-	168	233	17					
	327A620/616	01	SC	134	175	-	166	230	16					
		03	NF/WSNF	163	160	145	194	249	19/21					
		04	WSCR/WSCREM	167	180	159	198	246	20					
		06	JE	147	219	-	178	240	19					
	327A616	02	WP/WS/EM	140	185	126	171	239	17					



CONSTRUCTION REF - 2

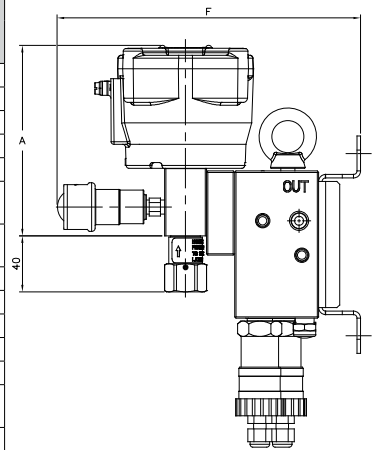
Dimensions: mm Weight: kg

2oo2 Configuration without Online Maintenance, with Diagnostic



CONSTRUCTION REF - 1

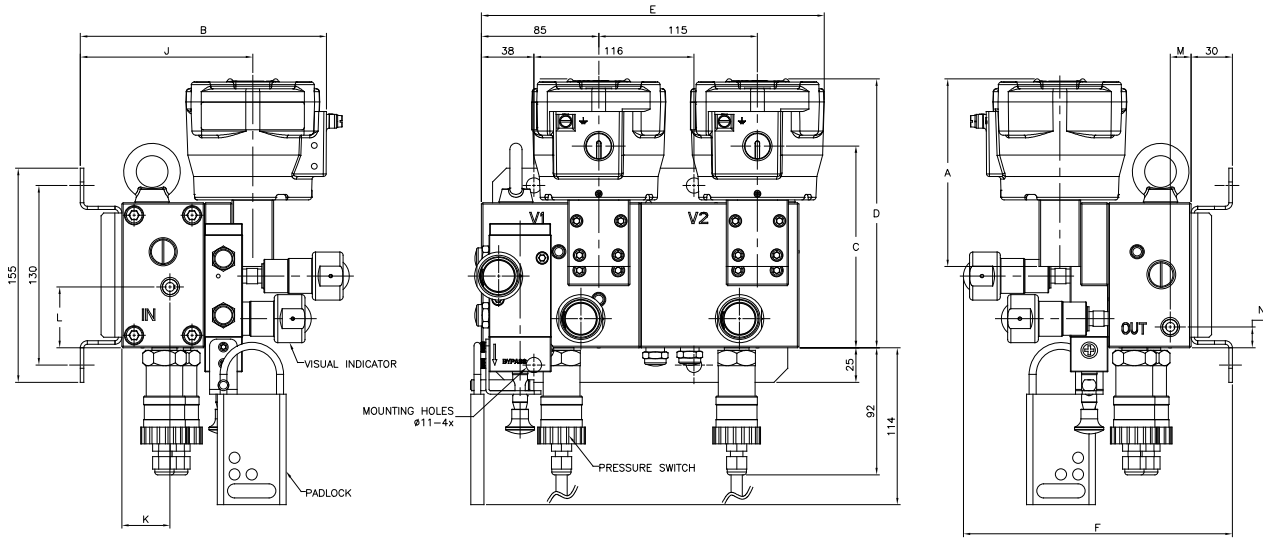
Construction Ref	Basic Catalog No.	Type	Enclosure	A	B	C	D	E	J	K	L	M	N	F		Approx. Weight (Kg)		
														Visual Indicator	Pressure Gauge			
1 (AUTO RESET)	327B102/112/ 202/212	01	SC	109	190	-	168	230									17	
		02	WP/WS/EM	112	205	-	171	239									18	
		03	NF/WSNF	136	180	146	195	249									20/22	
		04	WSCR/WSCREM	140	200	160	199	246									21	
	327B102/112	06	JE	130	239	-	189	240									19	
		03	NF/WSNF/NFIS/ WSNFIS	146	180	156	205	249									20/22	
	327B302/312	04	WSCR/WSCREM/ WSCRIS	140	200	160	199	246									21	
		06	JE	130	239	-	189	240									19	
		01	SC	109	190	-	168	230									9	
	327B103/203	02	WP/EM	112	205	-	171	239									9	
		03	NF	136	180	146	195	249	125	14	45	14	70	167		174	12	
	327B303	03	NF/NFIS	146	180	156	205	249									12	
	327H102/112	05	VCEFAM/ VCEFAP	109	230	-	168	233									18	
		05	VCEFAM/ VCEFAP/ VCEVAM/ VCEVAP	109	230	-	168	233									18/19	
	327G042/052	07	EV	99	177	133	158	230									18	
		08	JBEF	118	281	134	177	244									20	
		07	EV/EVHT/EVMF/ EVMH	102	183	134	161	231									18	
	327H312/302	08	JBEF	118	281	134	177	244									20	
01		SC	134	175	-	166	230									18		
327A610/606	02	WP/WS/EM	140	185	126	171	239									18		
	03	NF/WSNF	163	160	145	194	249	105	14	51	14	68	202		181	19/22		
	04	WSCR/WSCREM	167	180	159	198	246									21		
	06	JE	147	219	-	178	240									19		
	01	SC	109	190	-	168	230									18		
2 (MO/MANUAL RESET)	327B132/182/232	02	WP/WS/EM	112	205	-	171	239									18	
		03	NF/WSNF	136	180	146	195	249									21/23	
		06	JE	130	239	-	189	240									20	
	327B332/382	04	WSCR/WSCREM	140	200	160	199	246									22	
	327G032	05	VCEFAM/ VCEFAP/ VCEVAM/ VCEVAP	109	230	-	168	233									217	224
		07	EV	99	177	133	158	230									18	
		08	JBEF	118	281	134	177	244									20	
	327H132/182	05	VCEFAM/ VCEFAP	109	230	-	168	233									18/19	
	327A620/616	01	SC	134	175	-	166	230									18	
		03	NF/WSNF	163	160	145	194	249	105	14	51	14	68	202		181	20/22	
		04	WSCR/WSCREM	167	180	159	198	246									21	
		06	JE	147	219	-	178	240									20	
327A616	02	WP/WS/EM	140	185	126	171	239									18		



CONSTRUCTION REF - 2

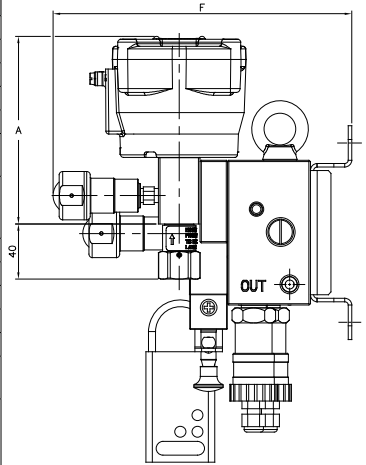
Dimensions: mm Weight: kg

## 2oo2 Configuration with Common Bypass. with Diagnostic



CONSTRUCTION REF - 1

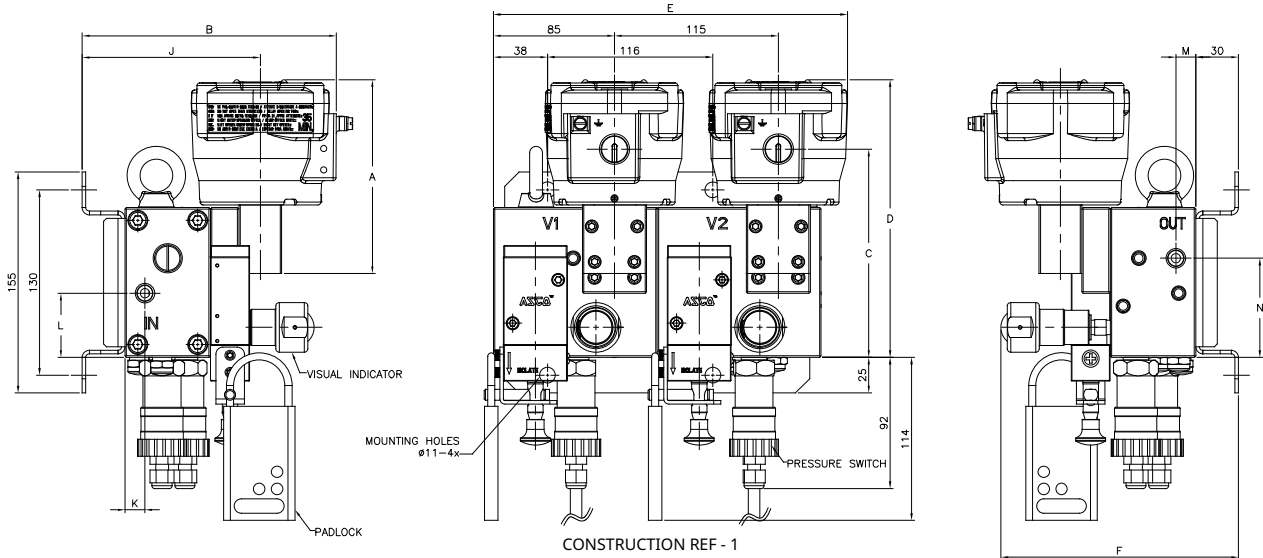
Construction Ref	Basic Catalog No.	Type	Enclosure	A	B	C	D	E	J	K	L	M	N	F		Approx. Weight (Kg)
														Visual Indicator	Pressure Gauge	
1 (AUTO RESET)	327B102/112/ 202/212	01	SC	109	190	-	168	230	125	35	44	15	15	195	202	18
		02	WP/WS/EM	112	205	-	171	239								19
		03	NF/WSNF	136	180	146	195	249								21/23
		04	WSCR/WSCREM	140	200	160	199	246								22
	327B102/112	06	JE	130	239	-	189	240								20
	327B302/312	03	NF/WSNF/NFIS/ WSNFIS	146	180	156	205	249								21/23
		04	WSCR/ WSCREM/ WSCRIS	140	200	160	199	246								22
		06	JE	130	239	-	189	240								20
	327B103/203	01	SC	109	190	-	168	230								10
		02	WP/EM	112	205	-	171	239								10
		03	NF	136	180	146	195	249								13
	327B303	03	NF/NFIS	146	180	156	205	249								13
	327H102/112	05	VCEFAM/ VCEFAP	109	230	-	168	233								19
			VCEFAM/ VCEFAP/ VCEVAM/ VCEVAP	109	230	-	168	233								19/20
		07	EV	99	177	133	158	230								19
		08	JBEF	118	281	134	177	244								21
327H312/302	07	EV/EVHT/EVMF/ EVMH	102	183	134	161	231	19								
	08	JBEF	118	281	134	177	244	21								
327A610/606	01	SC	134	175	-	166	230	19								
		WP/WS/EM	140	185	126	171	239	19								
	03	NF/WSNF	163	160	145	194	249	20/23								
	04	WSCR/WSCREM	167	180	159	198	246	22								
	06	JE	147	219	-	178	240	20								
	02	WP/WS/EM	140	185	126	171	239	20								
2 (MO/MANUAL RESET)	327B132/182/232	01	SC	109	190	-	168	230	125	35	44	15	15	217	224	18
		02	WP/WS/EM	112	205	-	171	239								19
		03	NF/WSNF	136	180	146	195	249								22/24
		06	JE	130	239	-	189	240								20
	327B332/382	04	WSCR/WSCREM	140	200	160	199	246								23
	327G032	05	VCEFAM/ VCEFAP/ VCEVAM/ VCEVAP	109	230	-	168	233								19/20
		07	EV	99	177	133	158	230								19
		08	JBEF	118	281	134	177	244								21
	327H132/182	05	VCEFAM/ VCEFAP	109	230	-	168	233								19
			01	SC	134	175	-	166								230
	327A620/616	03	NF/WSNF	163	160	145	194	249								21/23
			WSCR/WSCREM	167	180	159	198	246								22
		06	JE	147	219	-	178	240								21
		02	WP/WS/EM	140	185	126	171	239								19



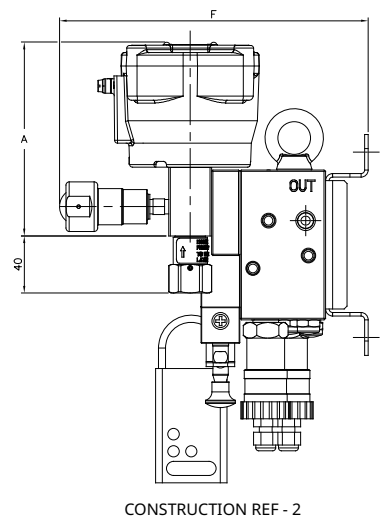
CONSTRUCTION REF - 2

Dimensions: mm Weight: kg

## 2oo2 Configuration with Individual Isolation, with Diagnostic



Construction Ref	Basic Catalog No.	Type	Enclosure	A	B	C	D	E	J	K	L	M	N	F		Approx. Weight (Kg)	
														Visual Indicator	Pressure Gauge		
1 (AUTO RESET)	327B102/112/ 202/212	01	SC	109	190	-	168	230									19
		02	WP/WS/EM	112	205	-	171	239									20
		03	NF/WSNF	136	180	146	195	249									22/25
		04	WSCR/WSCREM	140	200	160	199	246									23
	327B102/112	06	JE	130	239	-	189	240									21
		03	NF/WSNF/NFIS/ WSNFIS	146	180	156	205	249									22/24
	327B302/312	04	WSCR/ WSCREM/ WSCRIS	140	200	160	199	246									23
		06	JE	130	239	-	189	240									21
		01	SC	109	190	-	168	230									11
	327B103/203	02	WP/EM	112	205	-	171	239		125	14	45	14	70	167	174	11
		03	NF	136	180	146	195	249									14
		03	NF/NFIS	146	180	156	205	249									14
	327B303	03	NF/NFIS	146	180	156	205	249									14
	327H102/112	05	VCEFAM/ VCEFAP	109	230	-	168	233									20
		05	VCEFAM/ VCEFAP/ VCEVAM/ VCEVAP	109	230	-	168	233									20/21
	327G042/052	07	EV	99	177	133	158	230									20
		08	JBEF	118	281	134	177	244									22
		07	EV/EVHT/EVMF/ EVMH	102	183	134	161	231									20
		08	JBEF	118	281	134	177	244									22
	327A610/606	01	SC	134	175	-	166	230									20
02		WP/WS/EM	140	185	126	171	239									20	
03		NF/WSNF	163	160	145	194	249		105	14	45	14	68	202	181	21/24	
04		WSCR/WSCREM	167	180	159	198	246									23	
06		JE	147	219	-	178	240									21	
01		SC	109	190	-	168	230										20
2 (MO/MANUAL RESET)	327B132/182/232	02	WP/WS/EM	112	205	-	171	239									20
		03	NF/WSNF	136	180	146	195	249									23/25
		06	JE	130	239	-	189	240									21
	327B332/382	04	WSCR/WSCREM	140	200	160	199	246									24
	327G032	05	VCEFAM/ VCEFAP/ VCEVAM/ VCEVAP	109	230	-	168	233		125	14	45	14	70	217	224	20/21
		07	EV	99	177	133	158	230									20
		08	JBEF	118	281	134	177	244									22
	327H132/182	05	VCEFAM/ VCEFAP	109	230	-	168	233									20
		01	SC	134	175	-	166	230									20
	327A620/616	03	NF/WSNF	163	160	145	194	249									21/24
		04	WSCR/WSCREM	167	180	159	198	246		105	14	45	14	68	202	181	23
		06	JE	147	219	-	178	240									22
02		WP/WS/EM	140	185	126	171	239									20	

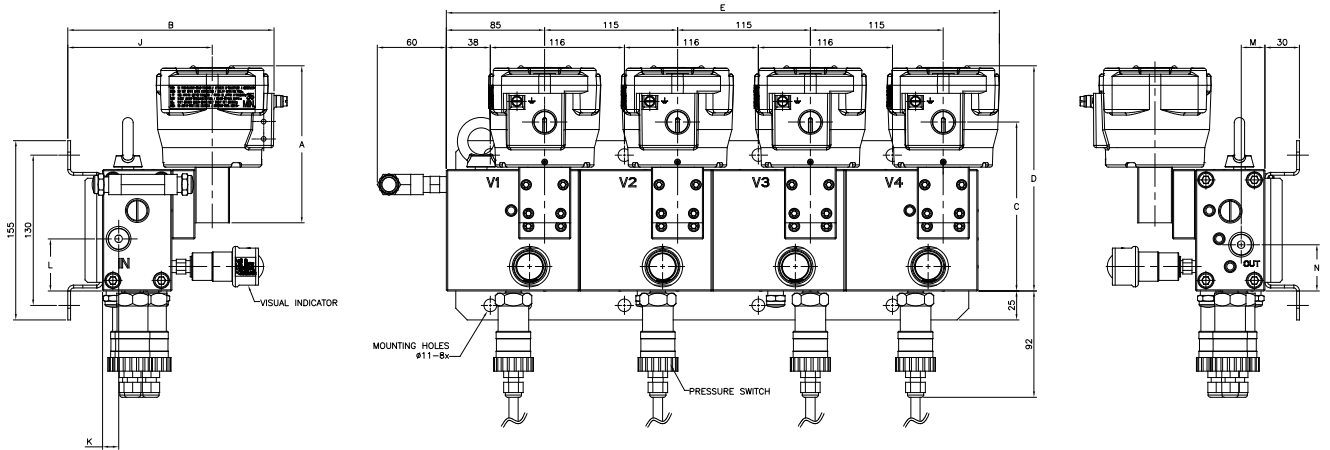






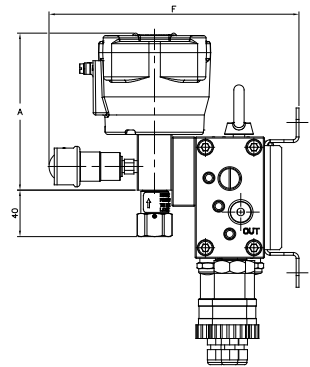
Dimensions: mm Weight: kg

## 2003 Configuration without Online Maintenance, with Diagnostic



CONSTRUCTION REF - 1

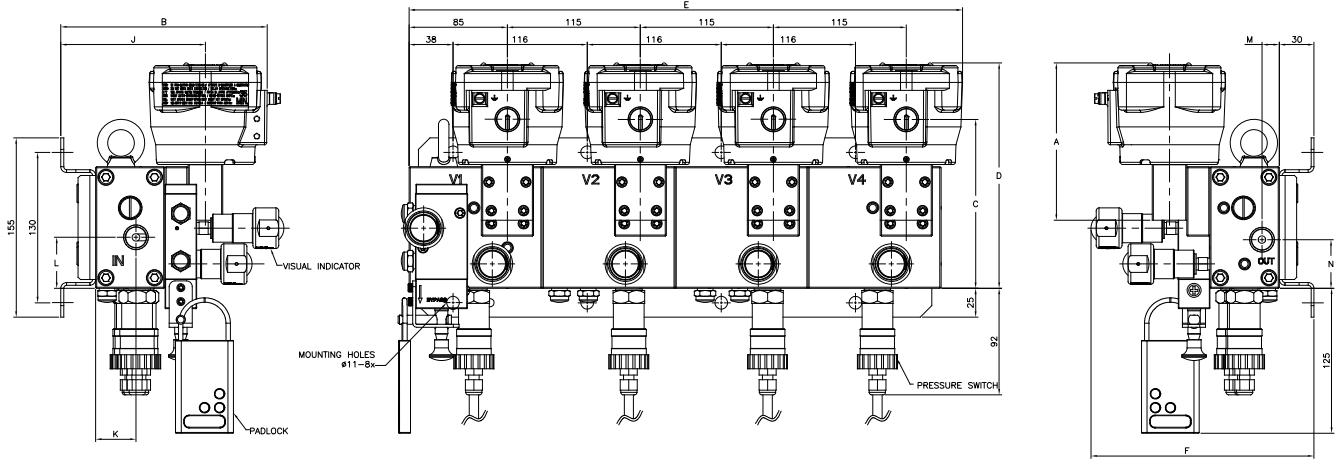
Construction Ref	Basic Catalog No.	Type	Enclosure	A	B	C	D	E	J	K	L	M	N	F		Approx. Weight (Kg)		
														Visual Indicator	Pressure Gauge			
1 (AUTO RESET)	327B102/112/ 202/212	01	SC	109	190	-	168	460									33	
		02	WP/WS/EM	112	205	-	171	469									34	
		03	NF/WSNF	136	180	146	195	479									39/44	
		04	WSCR/WSCREM	140	200	160	199	476									41	
	327B102/112	06	JE	130	239	-	189	470									37	
	327B302/312	03	NF/WSNF/NFIS/ WSNFIS	146	180	156	205	479										39/44
		04	WSCR/ WSCREM/ WSCRIS	140	200	160	199	476										41
		06	JE	130	239	-	189	470									37	
	327B103/203	01	SC	109	190	-	168	460										17
		02	WP/EM	112	205	-	171	469										18
		03	NF	136	180	146	195	479	125	14	45	21	40	167	174		24	
	327B303	03	NF/NFIS	146	180	156	205	479									24	
	327H102/112	05	VCEFAM/ VCEFAP	109	230	-	168	463										35
	327G042/052	05	VCEFAM/ VCEFAP/ VCEVAM/ VCEVAP	109	230	-	168	463										35/37
		07	EV	99	177	133	158	230										33
		08	JBEF	118	281	134	177	244										38
	327H312/302	07	EV/EVHT/EVMF/ EVMH	102	183	134	161	231										35
		08	JBEF	118	281	134	177	244										38
	327A610/606	01	SC	134	175	-	166	460										34
		02	WP/WS/EM	140	185	126	171	469										34
03		NF/WSNF	163	160	145	194	479	105	14	51	15	68	202	181		37/43		
04		WSCR/WSCREM	167	180	159	198	476										40	
06		JE	147	219	-	178	470										37	
01		SC	109	190	-	168	460										34	
2 (MO/MANUAL RESET)	327B132/182/232	02	WP/WS/EM	112	205	-	171	469									35	
		03	NF/WSNF	136	180	146	195	479									40/45	
		06	JE	130	239	-	189	470									38	
	327B332/382	04	WSCR/WSCREM	140	200	160	199	476									42	
	327G032	05	VCEFAM/ VCEFAP/ VCEVAM/ VCEVAP	109	230	-	168	463		125	14	45	21	40	217	224		35/37
		07	EV	99	177	133	158	230										34
		08	JBEF	118	281	134	177	244										39
	327H132/182	05	VCEFAM/ VCEFAP	109	230	-	168	463										35
	327A620/616	01	SC	134	175	-	166	460										35
		03	NF/WSNF	163	160	145	194	479										38/44
		04	WSCR/WSCREM	167	180	159	198	476	105	14	51	15	68	202	181		41	
		06	JE	147	219	-	178	470										38
327A616	02	WP/WS/EM	140	185	126	171	469										35	



CONSTRUCTION REF - 2

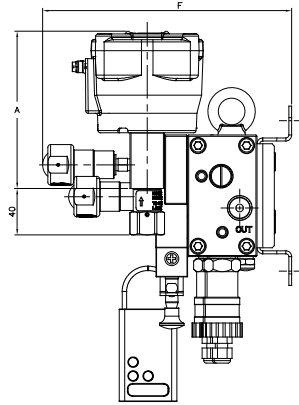
Dimensions: mm Weight: kg

## 2003 Configuration with Common Bypass, with Diagnostic



CONSTRUCTION REF - 1

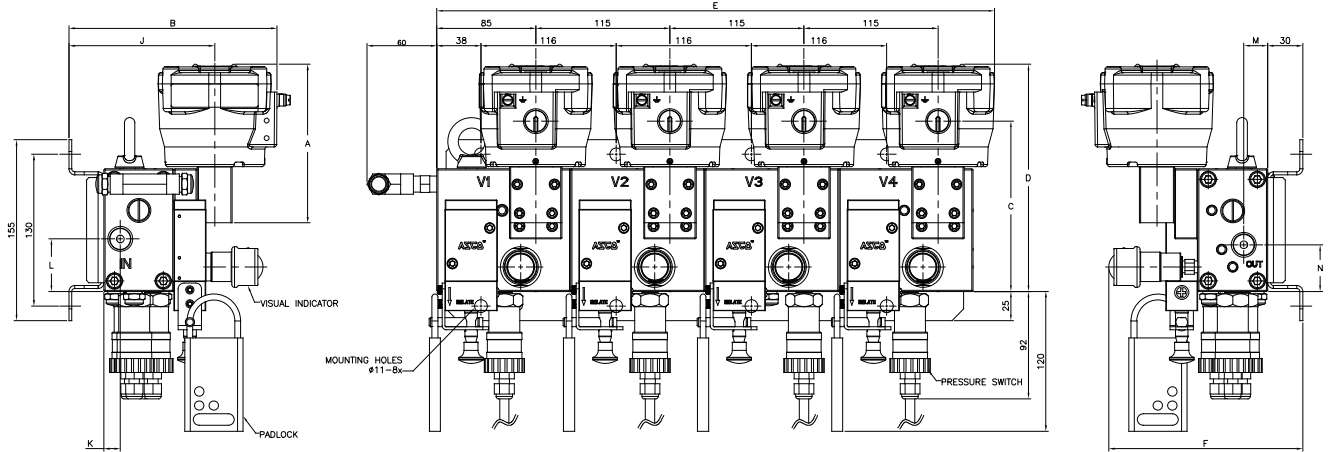
Construction Ref	Basic Catalog No.	Type	Enclosure	A	B	C	D	E	J	K	L	M	N	F		Approx. Weight (Kg)
														Visual Indicator	Pressure Gauge	
1 (AUTO RESET)	327B102/112/ 202/212	01	SC	109	190	-	168	460	125	35	44	14	43	195	202	34
		02	WP/WS/EM	112	205	-	171	469								35
		03	NF/WSNF	136	180	146	195	479								40/45
		04	WSCR/WSCREM	140	200	160	199	476								42
	327B102/112	06	JE	130	239	-	189	470								38
	327B302/312	03	NF/WSNF/NFIS/ WSNFIS	146	180	156	205	479								40/45
		04	WSCR/WSCREM/ WSCRIS	140	200	160	199	476								42
		06	JE	130	239	-	189	470								40
		01	SC	109	190	-	168	460								18
	327B103/203	02	WP/EM	112	205	-	171	469								19
	327B303	03	NF	136	180	146	195	479								25
	327H102/112	03	NF/NFIS	146	180	156	205	479								25
	327G042/052	05	VCEFAM/ VCEFAP/ VCEVAM/ VCEVAP	109	230	-	168	463								36
			07	EV	99	177	133	158								230
		08	JBEF	118	281	134	177	244								39
		327H312/302	07	EV/EVHT/EVMF/ EVMH	102	183	134	161								231
327A610/606	08	JBEF	118	281	134	177	244	39								
		01	SC	134	175	-	166	460	35							
	02	WP/WS/EM	140	185	126	171	469	35								
	03	NF/WSNF	163	160	145	194	479	38/44								
	04	WSCR/WSCREM	167	180	159	198	476	41								
	06	JE	147	219	-	178	470	38								
2 (MO/MANUAL RESET)	327B132/182/232	01	SC	109	190	-	168	460	125	35	44	14	43	217	224	35
		02	WP/WS/EM	112	205	-	171	469								36
		03	NF/WSNF	136	180	146	195	479								41/46
	327B132/182	06	JE	130	239	-	189	470								39
	327B332/382	04	WSCR/WSCREM	140	200	160	199	476								43
	327G032	05	VCEFAM/ VCEFAP/ VCEVAM/ VCEVAP	109	230	-	168	463								36/38
			07	EV	99	177	133	158								230
		08	JBEF	118	281	134	177	244								40
	327H132/182	05	VCEFAM/VCEFAP	109	230	-	168	463								36
	327A620/616	01	SC	134	175	-	166	460								36
			03	NF/WSNF	163	160	145	194								479
		04	WSCR/WSCREM	167	180	159	198	476								42
		06	JE	147	219	-	178	470								39
	327A616	02	WP/WS/EM	140	185	126	171	469								36



CONSTRUCTION REF - 2

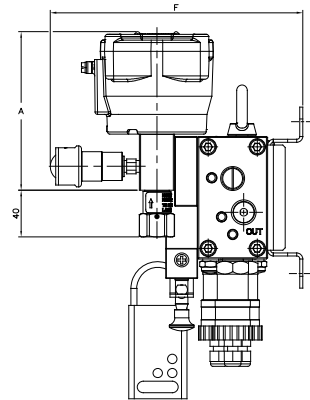
Dimensions: mm Weight: kg

## 2003 Configuration with Individual Isolation, with Diagnostic



CONSTRUCTION REF - 1

Construction Ref	Basic Catalog No.	Type	Enclosure	A	B	C	D	E	J	K	L	M	N	F		Approx. Weight (Kg)			
														Visual Indicator	Pressure Gauge				
1 (AUTO RESET)	327B102/112/ 202/212	01	SC	109	190	-	168	460									36		
		02	WP/WS/EM	112	205	-	171	469										37	
		03	NF/WSNF	136	180	146	195	479										42/47	
		04	WSCR/WSCREM	140	200	160	199	476										44	
	327B102/112	06	JE	130	239	-	189	470										40	
	327B302/312	03	NF/WSNF/NFIS/ WSNFIS	146	180	156	205	479										42/47	
		04	WSCR/ WSCREM/ WSCRIS	140	200	160	199	476										44	
		06	JE	130	239	-	189	470										42	
	327B103/203	01	SC	109	190	-	168	460										20	
		02	WP/EM	112	205	-	171	469										21	
		03	NF	136	180	146	195	479	125	14	45	21	40	167	174			27	
	327B303	03	NF/NFIS	146	180	156	205	479										27	
	327H102/112	05	VCEFAM/ VCEFAP	109	230	-	168	463										38	
	327G042/052	05	VCEFAM/ VCEFAP/ VCEVAM/ VCEVAP	109	230	-	168	463										38/40	
		07	EV	99	177	133	158	230										36	
		08	JBEF	118	281	134	177	244										41	
	327H312/302	07	EV/EVHT/EVMF/ EVMH	102	183	134	161	231										38	
		08	JBEF	118	281	134	177	244										41	
327A610/606	01	SC	134	175	-	166	460										37		
	02	WP/WS/EM	140	185	126	171	469										37		
	03	NF/WSNF	163	160	145	194	479	105	14	45	15	68	202	181			40/46		
	04	WSCR/WSCREM	167	180	159	198	476										43		
	06	JE	147	219	-	178	470										40		
2 (MO/MANUAL RESET)	327B132/182/232	01	SC	109	190	-	168	460										37	
		02	WP/WS/EM	112	205	-	171	469										38	
		03	NF/WSNF	136	180	146	195	479										43/48	
	327B132/182	06	JE	130	239	-	189	470										41	
	327B332/382	04	WSCR/WSCREM	140	200	160	199	476										45	
	327G032	05	VCEFAM/ VCEFAP/ VCEVAM/ VCEVAP	109	230	-	168	463		125	14	45	21	40	217	224		38/40	
		07	EV	99	177	133	158	230										37	
		08	JBEF	118	281	134	177	244										42	
	327H132/182	05	VCEFAM/ VCEFAP	109	230	-	168	463										38	
	327A620/616	01	SC	134	175	-	166	460											38
		03	NF/WSNF	163	160	145	194	479											41/47
		04	WSCR/WSCREM	167	180	159	198	476	105	14	45	15	68	202	181			44	
		06	JE	147	219	-	178	470											41
	327A616	02	WP/WS/EM	140	185	126	171	469										38	

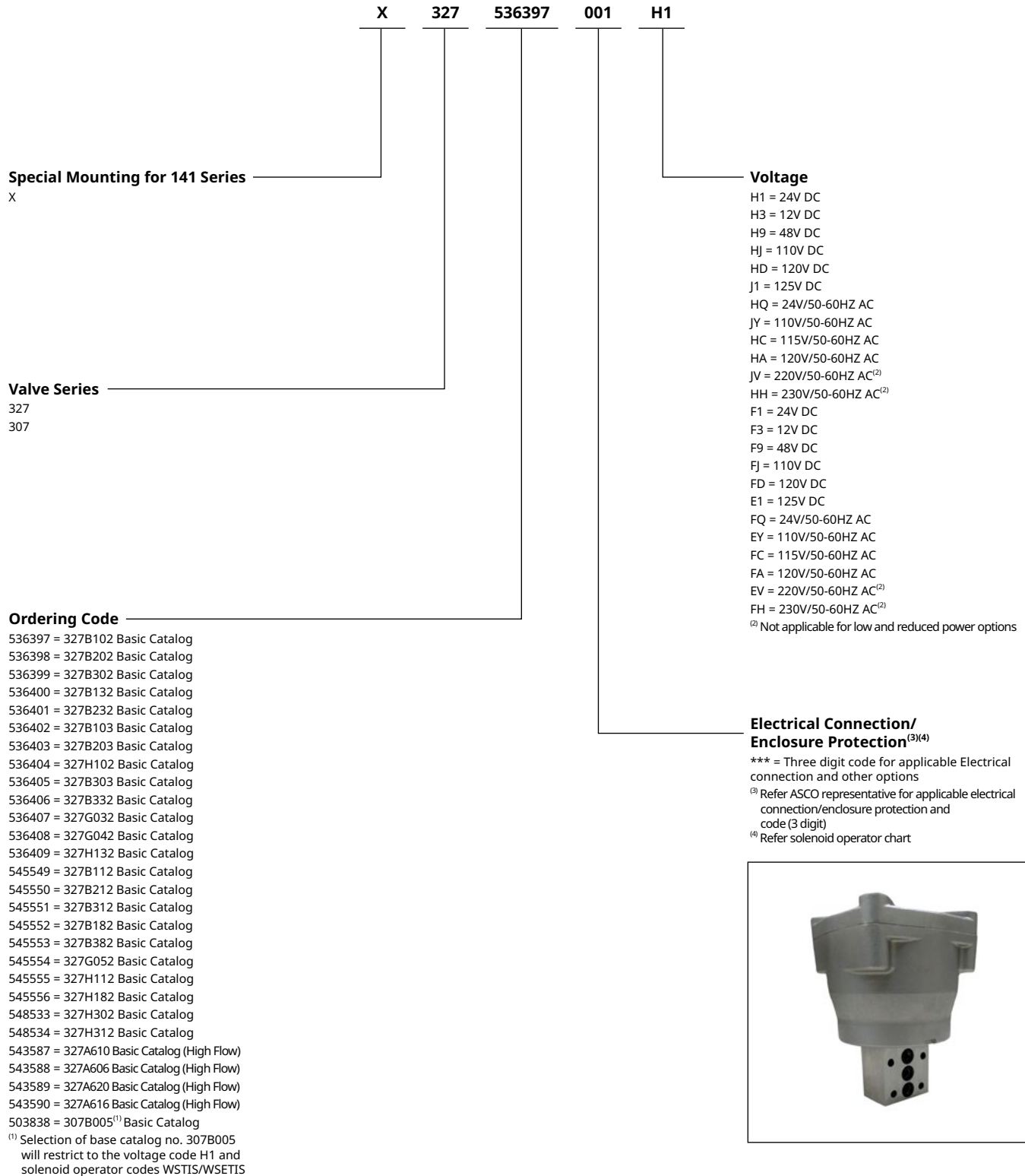


CONSTRUCTION REF - 2

## Spares Code

### Solenoid Valve

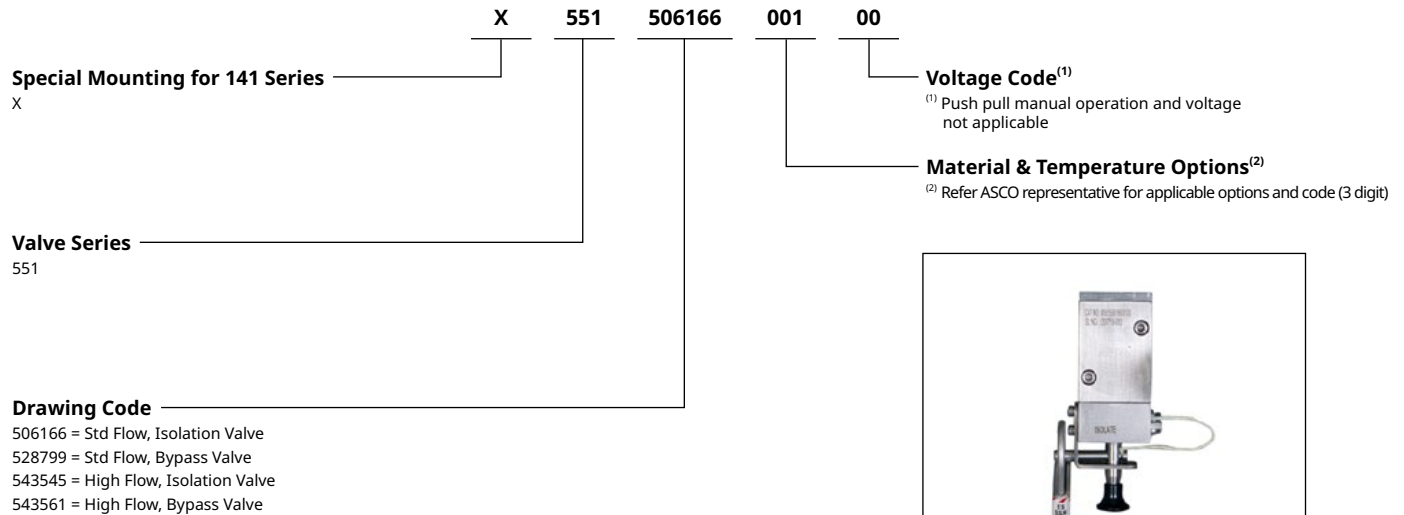
Description: ASCO 327 series, 3/2 way, direct acting, normally closed, 5.7mm/12mm orifice, stainless steel 316/aluminum



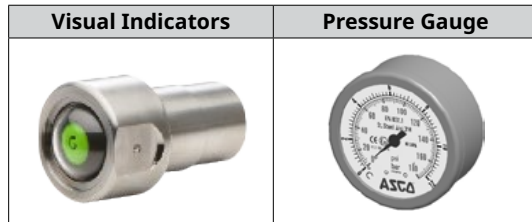
## Spares Code

### 3 Way Push-Pull Manual Valve with LOTO

Description: ASCO 551 series, 3/2 way, manual push button operated, normally closed, with 6 & 8mm orifice, stainless steel 316 and lock out tag out for tamper proof lock arrangement. Used for common by pass in 1oo2, 2oo2 & 2oo3 and individual isolation in 2oo2 & 2oo3



## Accessories



## Accessories - Spares Code

Ordering Code	Item Description	Temperature Range
C325937	Pressure gauge (full stainless steel)	-40°C to +90°C
508133-010	Visual indicator (full stainless steel)	-23°C to +95°C
508133-005*	Visual indicator (full stainless steel)	-23°C to +95°C
509123-003	Pressure switch (weatherproof & intrinsically safe wiring)	-20°C to +80°C
509123-004	Pressure switch (explosion proof wiring: flying leads)	-40°C to +90°C

\*Only applicable for solenoid valve "Q" selection. (Refer to pg.5 for details)

## ARCS - Customised Solutions



ASCO is also able to offer customised solutions to meet specific redundancy requirements, complete with options to integrate valve automation accessories like filter regulators, pilot operated valves, junction boxes for switches (feedback wiring), visual indicators, gauges and more. Available in open frame or explosion proof enclosures (Exia, Exe and Exd protection).