

July 2018

66 Series Direct-Operated Regulators and Vacuum Service Equipment

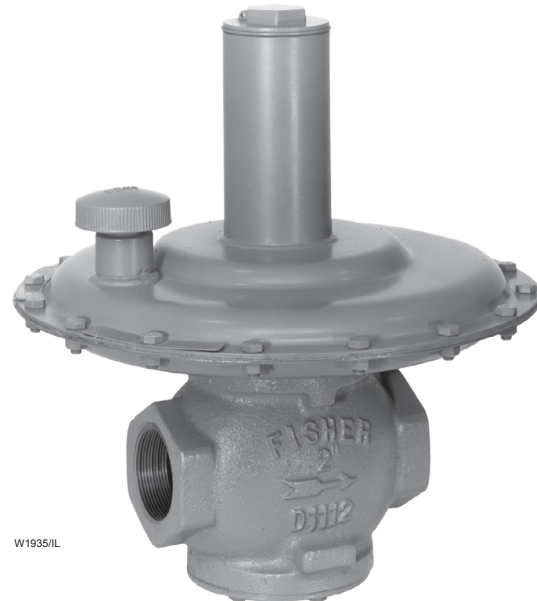


Figure 1. Exterior of Type 66 or 66Z Regulator

Introduction

Fisher™ 66 Series direct-operated pressure-reducing regulators are widely used in burner control, tank blanketing systems and other applications where precise control of low-pressure industrial gases is needed, while 66 Series direct-operated vacuum service equipment comes in both vacuum regulator and vacuum breaker constructions. These products differ in pressure capabilities and construction (Figures 1 through 4).

Features

- **Sensitive Response to Pressure Changes**—Minimum lockup at high as well as low inlet pressures is provided on all regulators by a balancing diaphragm that reduces unbalanced forces acting on valve plug.
- **Seat Protection without Sacrifice in Shutoff Capability**—Retainer (Figure 2) of standard Type 66, 66Z or 66ZZ valve plug assembly

closes against the orifice before assembly can over travel and thus over-compress O-ring.

- **Tank Blanketing Capability**—Maximum sensitivity and low outlet pressure accuracy make this an ideal regulator for tank blanketing (padding) applications.
- **Accuracy**—Pitot tube of Type 66, 66Z, or 66ZZ standard cast iron regulator registers body outlet pressure from point of highest velocity, creating a dynamic boost (Figure 5 or 6) that helps provide a more nearly constant downstream pressure and rapid adjustment to small demand changes.
- **Application Flexibility**—Steel and stainless steel bodies are available for increased resistance to piping stresses or whenever dictated by local codes. External registration is standard or optional depending on construction for wherever a remote control line is required.

66 Series

Specifications

Body Sizes and End Connection Styles

| CONSTRUCTION | NOMINAL BODY SIZE | | END CONNECTION STYLES AND RATINGS ⁽¹⁾ | |
|--|-------------------|---------|--|---|
| | IN. | DN | Standard Cast Iron Body | Optional Steel Body |
| | | | | |
| Type 66, 66Z, 66ZZ or 66 vacuum regulators or breakers | 2 | 50 | NPT or CL125 FF | NPT (all types), CL150 RF (all types), CL150 FF, CL300 RF |
| | 3, 4 | 80, 100 | CL125 FF | CL150 RF |

Maximum Allowable Inlet Pressures⁽¹⁾

Emergency Inlet Pressure:

Type 66, 66Z, 66ZZ or 66 Series Vacuum Breakers: 25 psig / 1.72 bar positive pressure
66 Series vacuum regulators: 8 psig or 16.3 in. of mercury / 0.55 bar d vacuum

Maximum Safe Pressure to Avoid Internal Parts Damage:

Type 66: 10 psig / 0.69 bar
Type 66Z: 5 psig / 0.34 bar
Type 66ZZ: 2 psig / 0.14 bar
66 Series Vacuum Regulators or Breakers: no more than 1 psig / 0.07 bar d change from spring setting

Maximum Operating Inlet Pressure Recommended for Good Performance:

Type 66, 66Z or 66 Series Vacuum Breakers: 5 psig / 0.34 bar positive pressure
Type 66ZZ: 2 psig / 0.14 bar
66 Series Vacuum Regulator: 6 in. w.c. or 0.4 in. of mercury / 15 mbar d vacuum

Outlet (Control) Pressure Ranges

See Tables 1a to 1c

Maximum Allowable Outlet Pressures⁽¹⁾

Emergency Outlet (Casing) Pressure:

Type 66, 66Z or 66ZZ: 8 psig / 0.55 bar positive pressure
66 Series Vacuum Regulator: 14.7 psi or 29.9 in. of mercury / 1.01 bar d vacuum
66 Series Vacuum Breakers: 8 psi or 16.3 in. of mercury / 0.55 bar d vacuum

Maximum Safe Pressure to Avoid Internal Parts Damage:

Type 66, 66Z or 66ZZ: 1 psig / 0.07 bar d above outlet pressure setting
66 Series Vacuum Regulator: no more than 1 psig / 0.07 bar d change from spring setting

Maximum Operating Pressure Recommended for Good Performance (66 Series Vacuum Regulators or Breakers Only):

Vacuum Regulators: 10 psig or 20.4 in. of mercury / 0.69 bar d vacuum
Vacuum Breakers: 6 in. w.c. or 0.4 in. of mercury / 15 mbar d vacuum

Typical Flow Capacities and Performance Curves

Type 66: See Table 4, Figure 5 and "Capacity Information" section

Type 66Z: See Table 5, Figure 6 and "Capacity Information" section

66 Series Vacuum Regulators: See Figure 7 and "Capacity Information" section

Types 66ZZ and 66 Series Vacuum Breakers: Consult your local Sales Office

Flow and Sizing Coefficients

See Tables 2 and 3

Construction Materials

Body, Body Plug, and Bottom Flange Plug when Used: Cast Iron (**standard**), Steel or 316 Stainless steel (optional)

Spring Case, and Spring Case Extension when Used: Steel or 304 Stainless steel (optional)

Disk Plate Assembly Seating Surface when Used: Nitrile (NBR), Fluorocarbon (FKM) or Ethylenepropylene (EPDM)

Diaphragm Case, Diaphragm Plates, Bottom Flange, Spring(s), and Bolting: Plated steel

Diaphragm Spacer: Zinc-plated steel or 316 Stainless steel (optional)

Diaphragms, and Valve Plug O-ring and Spring Case Gasket when Used: Nitrile (NBR) (**standard**), Fluorocarbon (FKM) (high-temperature), Ethylenepropylene (EPDM) or PTFE O-ring and diaphragm protectors

Bottom Flange and Stem Gaskets: Composition

Diaphragm Case and Closing Cap Gaskets: Neoprene (CR)

Pitot Tube when Used: Copper (**standard**) or 304 Stainless steel

Sealing Washer: Carbon steel or 316 Stainless steel

Standard Type Y602-10 Vent Assembly: Zinc/ Stainless steel

1. The pressure/temperature limits in this Bulletin and any applicable standard or code limitation for valve should not be exceeded.

- continued -

Specifications (continued)

Construction Materials (continued)

Snap Ring: Bronze

Closing Cap, and Type 66 or 66Z Adjusting Screw and Spring Seats: Zinc

Flapper Valve, and Type 66ZZ or 66 Series Vacuum Regulator or Breaker Adjusting Screw, Spring Retainer and Spring Case Coupling: Brass

Orifice, Metal Seat Parts: Brass (standard) or 316 Stainless steel

NACE Construction

Body: Steel

Upper and Lower Diaphragm Case, Sealing Diaphragm Plate, Adjusting Screw and Closing Cap: Steel

Disk Retainer, Disk Nut, Orifice and Miscellaneous Trim Parts: 316 Stainless steel

Diaphragm, O-ring and Common Parts: PTFE, Nitrile (NBR), Ethylenepropylene (EPDM) or Fluorocarbon (FKM)

Elastomer Temperature Capabilities⁽¹⁾

Nitrile (NBR) (Standard): -40 to 180°F / -40 to 82°C

Fluorocarbon (FKM): 0 to 350°F / -18 to 177°C

Ethylenepropylene (EPDM): -40 to 275°F / -40 to 135°C

Pressure Setting Adjustment

Adjusting Screw

Pressure Registration

Type 66, 66Z or 66ZZ:

Cast Iron Body: Internal (standard) or external
Steel Body: External (standard) or internal

66 Series Vacuum Regulators or Breakers: External

Control Line when Used: 3/4 NPT (standard)

Bottom Flange Line when Used: 1/4 NPT standard with removable plug

Spring Case Vent: 3/4 NPT standard with removable Type Y602-10 vent assembly

Approximate Weights

2 in. / DN 50 Body:

NPT Ends: 50 lbs / 22.7 kg

Flanged Ends: 55 lbs / 25.0 kg

3 in. / DN 80 Body: 100 lbs / 45.4 kg

4 in. / DN 100 Body: 155 lbs / 70.3 kg

Options

- Special springs, diaphragm plates, and other internal parts required for higher Type 66 outlet pressure ranges than shown in Table 1.
- Control line connection for cast iron Type 66, 66Z or 66ZZ.
- Tapped and plugged bottom flange for cast iron or steel Type 66, 66Z or 66ZZ.
- Adjustable travel stops for 2 in. / DN 50 and 4 in. / DN 100 cast iron Type 66.
- All-metal seats

1. The pressure/temperature limits in this Bulletin and any applicable standard or code limitation for valve should not be exceeded.

- **Severe Service Capability**—Fluorocarbon (FKM), Ethylenepropylene (EPDM) and Polytetrafluoroethylene (PTFE) O-rings and stainless steel metal trim parts are available for high temperatures and/or corrosive flowing media. Optional all-metal seats eliminate O-ring seat erosion problems with coke gas or other corrosive applications. Metal valve plug also has knife-edged guides on the valve plug skirts to help prevent particle accumulation with dirty service.

- **Positive Guiding**—Valve plug coupling on 66 Series vacuum regulators and breakers prevent incorrect seating due to cocking or improper guiding of valve plug assembly.
- **Sour Gas Service Capability**—Optional materials are available for applications handling sour gases. These constructions comply with the recommendations of NACE International Standards MR0175 and MR0103.

66 Series

Table 1a. Outlet (Control) Pressure Ranges, 2 in. / DN 50 Body

| CONSTRUCTION | OUTLET (CONTROL) PRESSURE RANGE | | CONTROL SPRING INFORMATION | | | | | |
|---|---|--|--|--|------------------------------|--------------------------|----------------------------------|------------------------------|
| | In. w.c. Unless Otherwise Designated | mbar | 2 In. / DN 50 Body | | | | | |
| | | | Part Number | Color Code | Free Length | | Wire Diameter | |
| | | | | | In. | mm | In. | mm |
| Type 66 | 4 to 11 ⁽¹⁾ 8 to 28 ⁽¹⁾ | 10 to 27 ⁽¹⁾ 20 to 70 ⁽¹⁾ | 0B019727052 1E611427022 | Purple Stripe Orange Stripe | 6.00 6.00 | 152 152 | 0.148 0.200 | 3.76 5.08 |
| | 2 to 5 4 to 8 | 5 to 12 10 to 20 | 1D892527022 1D892627022 | Brown Stripe Red Stripe | 6.12 7.53 | 155 191 | 0.109 0.112 | 2.77 2.85 |
| | 7 to 12 10 to 17 14 to 28 | 17 to 30 25 to 42 35 to 70 | 1D892727012 1D892827032 1D892927032 | Black Stripe Orange Stripe Purple Stripe | 7.88 7.75 7.53 | 200 197 191 | 0.130 0.148 0.162 | 3.30 3.76 4.12 |
| | 0.75 to 1.5 psig 1 to 2 psig 1.5 to 3 psig 3 to 5 psig | 0.05 to 0.10 bar 0.07 to 0.14 bar 0.10 to 0.21 bar 0.21 to 0.34 bar | 1D765727032 ⁽²⁾ 1D765827032 ⁽²⁾ 1D962627032 ⁽²⁾ 1N506427142 ⁽³⁾ | Red Stripe Unpainted Unpainted Black Stripe | 6.09 6.00 6.25 6.31 | 155 152 159 160 | 0.207 0.225 0.262 0.283 | 5.26 5.72 6.66 7.19 |
| | Type 66Z | -1 to 2 | -2 to 5 | 1D892527022 | Brown Stripe | 6.12 | 155 | 0.109 |
| Type 66ZZ | -0.25 to 0.25 | -0.62 to 0.62 | 1E991427012 | Red Stripe | 5.62 | 143 | 0.085 | 2.16 |
| 66 Series Vacuum Regulators or Breakers | 0 to -2 -0.2 to -0.8 -2 to -6 | 0 to -5 -0.74 to -2 -5 to -15 | 1J196527012 1H387327012 1N152427012 | Blue Stripe Green Stripe Black Stripe | 5.62 5.62 5.62 | 143 143 143 | 0.102 0.095 0.112 | 2.59 2.41 2.85 |

1. 1 psig / 0.07 bar minimum differential pressure required with this range.
2. Heavy head construction required.
3. Extra heavy head construction required.

Table 1b. Outlet (Control) Pressure Ranges, 3 in. / DN 80 Body

| CONSTRUCTION | OUTLET (CONTROL) PRESSURE RANGE | | CONTROL SPRING INFORMATION | | | | | |
|---|---|--|--|---|------------------------------|--------------------------|----------------------------------|------------------------------|
| | In. w.c. Unless Otherwise Designated | mbar | 3 In. / DN 80 Body | | | | | |
| | | | Part Number | Color Code | Free Length | | Wire Diameter | |
| | | | | | In. | mm | In. | mm |
| Type 66 | 4 to 11 ⁽¹⁾ 8 to 28 ⁽¹⁾ | 10 to 27 ⁽¹⁾ 20 to 70 ⁽¹⁾ | 1D479927032 1D527327022 | Yellow Stripe White Stripe | 6.00 6.00 | 152 152 | 0.162 0.207 | 4.12 5.26 |
| | 2 to 5 4 to 8 | 5 to 12 10 to 20 | 1D893027022 1D893127012 | Brown Stripe Unpainted | 6.12 7.12 | 155 181 | 0.112 0.125 | 2.85 3.18 |
| | 7 to 12 10 to 17 14 to 28 | 17 to 30 25 to 42 35 to 70 | 1D892827032 1D893227032 1D893327032 | Orange Stripe White Stripe Green Stripe | 7.75 7.50 7.25 | 197 191 184 | 0.148 0.156 0.182 | 3.76 3.96 4.62 |
| | 0.75 to 1.5 psig 1 to 2 psig 1.5 to 3 psig 3 to 5 psig | 0.05 to 0.10 bar 0.07 to 0.14 bar 0.10 to 0.21 bar 0.21 to 0.34 bar | 1D765827032 ⁽²⁾ 1D962627032 ⁽²⁾ 1E204427032 ⁽²⁾ 1N506527142 ⁽³⁾ | Unpainted Unpainted White and Red Stripe Brown and Purple Stripe | 6.00 6.25 6.38 6.38 | 152 159 162 162 | 0.225 0.262 0.306 0.362 | 5.72 6.66 7.77 9.20 |
| | Type 66Z | -1 to 2 | -2 to 5 | 1D893027022 | Brown Stripe | 6.12 | 155 | 0.112 |
| Type 66ZZ | -0.25 to 0.25 | -0.62 to 0.62 | 1E991527012 | Purple Stripe | 8.62 | 219 | 0.100 | 2.54 |
| 66 Series Vacuum Regulators or Breakers | 0 to -2 -2 to -6 | 0 to -5 -5 to -15 | 1J196627012 1K384427012 | Gray Stripe Pink Stripe | 5.62 5.62 | 143 143 | 0.114 0.120 | 2.90 3.05 |

1. 1 psig / 0.07 bar minimum differential pressure required with this range.
2. Heavy head construction required.
3. Extra heavy head construction required.

Table 1c. Outlet (Control) Pressure Ranges, 4 in. / DN 100 Body

| CONSTRUCTION | OUTLET (CONTROL) PRESSURE RANGE | | CONTROL SPRING INFORMATION | | | | | |
|---|---|--|---|---|----------------------------------|----------------------------|----------------------------------|-------------------------------|
| | In. w.c. Unless Otherwise Designated | mbar | 4 In. / DN 100 Body | | | | | |
| | | | Part Number | Color Code | Free Length | | Wire Diameter | |
| | | | | | In. | mm | In. | mm |
| Type 66 | 4 to 11 ⁽¹⁾ 8 to 28 ⁽¹⁾ | 10 to 27 ⁽¹⁾ 20 to 70 ⁽¹⁾ | 1D527527022 1D527627032 | Gray Stripe Gray and White Stripe | 7.75 7.75 | 197 197 | 0.170 0.225 | 4.32 5.72 |
| | 2 to 5 4 to 8 | 5 to 12 10 to 20 | 1D892627022 1D893427022 | Red Stripe Green Stripe | 7.53 7.75 | 191 197 | 0.112 0.135 | 2.85 3.43 |
| | 7 to 12 10 to 17 14 to 28 | 17 to 30 25 to 42 35 to 70 | 1D893227032 1D893527032 1D893627032 | White Stripe Yellow Stripe Light Blue Stripe | 7.50 7.75 7.81 | 191 197 198 | 0.156 0.170 0.207 | 3.96 4.32 5.26 |
| | 0.75 to 1.5 psig 1 to 2 psig 1.5 to 3 psig 3 to 5 psig | 0.05 to 0.10 bar 0.07 to 0.14 bar 0.10 to 0.21 bar 0.21 to 0.34 bar | 1D771227032 ⁽²⁾ 1D771327032 ⁽²⁾ 1E204527032 ⁽³⁾ ----- | Pink and Blue Stripe Silver Stripe Pink Stripe ----- | 7.75 7.75 7.53 ----- | 197 197 191 ----- | 0.262 0.283 0.331 ----- | 6.66 7.19 8.41 ----- |
| Type 66Z | -1 to 2 | -2 to 5 | 1D892627022 | Red Stripe | 7.53 | 191 | 0.112 | 2.85 |
| Type 66ZZ | -0.25 to 0.25 | -0.62 to 0.62 | 1E937227012 | White Stripe | 11.06 | 281 | 0.112 | 2.85 |
| 66 Series Vacuum Regulators or Breakers | 0 to -2 -0.2 to -0.8 -2 to -6 0 to 1.5 | 0 to -5 -0.74 to -2 -5 to -15 0 to 4 | 1J196727012 1E937227012 1K418127012 1J823827012 | Black Stripe White Stripe Yellow Stripe Brown Stripe | 11.06 11.06 11.50 11.56 | 281 281 292 294 | 0.154 0.112 0.162 0.135 | 3.91 2.85 4.12 3.43 |

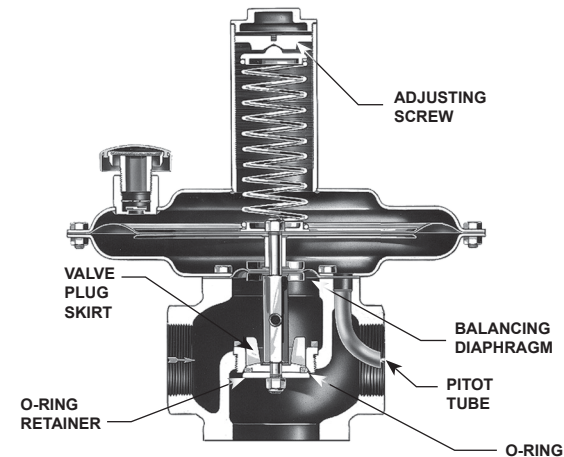
1. 1 psig / 0.07 bar minimum differential pressure required with this range.
 2. Heavy head construction required.
 3. Extra heavy head construction required.

Table 2. Flow Coefficients

| OUTLET PRESSURE RANGE, psig / bar | DROOP, psig / bar | REGULATING C _g | | | REGULATING C _v | | | WIDE-OPEN C _g | | | WIDE-OPEN C _v | | | C ₁ |
|-----------------------------------|--|---------------------------|--------------------|----------------|---------------------------|----------------------|----------------|--------------------------|---------------|----------------|--------------------------|---------------|----------------|----------------|
| | | 2 in. / DN 50 | 3 in. / DN 80 | 4 in. / DN 100 | 2 in. / DN 50 | 3 in. / DN 80 | 4 in. / DN 100 | 2 in. / DN 50 | 3 in. / DN 80 | 4 in. / DN 100 | 2 in. / DN 50 | 3 in. / DN 80 | 4 in. / DN 100 | |
| 0.75 to 1.5 / 0.05 to 0.10 | 0.2 / 0.01 0.3 / 0.02 | 765 1150 | 1865 2800 | 3330 5000 | 21.9 32.9 | 53.3 80 | 95.1 143 | 1260 | 3400 | 5250 | 36 | 97.1 | 150 | 35 |
| 1 to 2 / 0.07 to 0.14 | 0.3 / 0.02 0.4 / 0.03 | 825 1100 | 1650 2200 | 3150 4200 | 23.6 31.4 | 47.1 62.9 | 90 120 | | | | | | | |
| 1.5 to 3 / 0.10 to 0.21 | 0.4 / 0.03 0.6 / 0.04 | 665 1000 | 1165 1750 | 2500 3750 | 19 28.6 | 33.3 50 | 71.4 107 | | | | | | | |
| 3 to 5 / 0.21 to 0.34 | 0.6 / 0.04 0.8 / 0.06 1.0 / 0.07 | 540 720 900 | 725 970 1210 | ----- | 15.4 20.6 25.7 | 20.7 27.7 34.6 | ----- | | | | | | | |

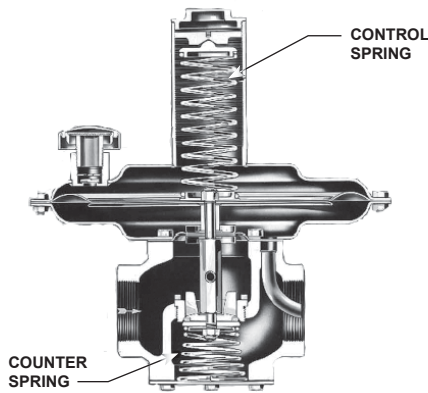
Table 3. IEC Sizing Coefficients

| BODY SIZE | | X _T | F _D | F _L |
|-----------|-----|----------------|----------------|----------------|
| In. | DN | | | |
| 2 | 50 | 0.775 | 0.35 | 0.89 |
| 3 | 80 | | 0.34 | |
| 4 | 100 | | 0.30 | |



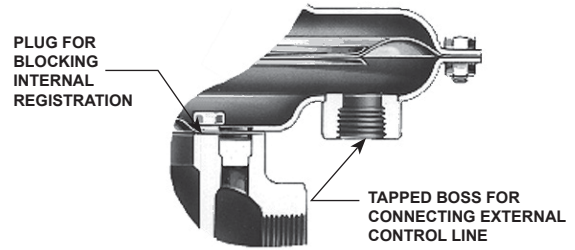
W0037_17/IL

STANDARD TYPE 66 REGULATOR WITH INTERNAL REGISTRATION



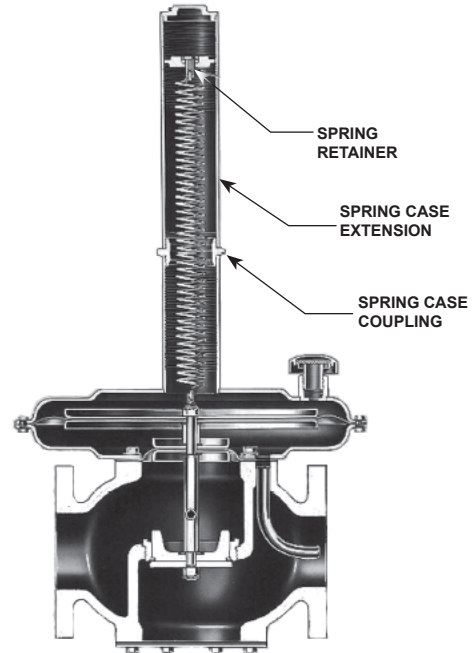
W0036_17/IL

STANDARD TYPE 66Z REGULATOR WITH INTERNAL REGISTRATION



W0037_17/IL

DETAIL OF EXTERNAL REGISTRATION CONSTRUCTION



W0041_17/IL

STANDARD TYPE 66ZZ REGULATOR WITH INTERNAL REGISTRATION

Figure 2. Types 66, 66Z and 66ZZ Construction Details

Available Configurations

Constructions come standard with cast iron bodies and pitot tube style internal registration that eliminates the need for control line piping. Steel-body regulators also are available and come standard with a tapped connection boss on the diaphragm case for external registration that requires a separate control line.

Vacuum regulators and breakers in this series come standard with a tapped connection boss on the diaphragm case for external registration that requires a separate control line.

The vacuum regulators are used to prevent a decrease in vacuum (increase in absolute pressure). A decrease in the controlled vacuum opens the regulator, allowing higher vacuum at the outlet to restore the controlled vacuum to setpoint.

The vacuum breakers are used in applications where a vacuum must be limited. An increase in vacuum (decrease in absolute pressure) opens the breaker, allowing atmospheric pressure or lower vacuum to restore the controlled vacuum to setpoint.

Types 66 and 66ZZ regulators both use a single control spring, but the Type 66ZZ regulator's spring has a low rate of tension and can be stretched between the adjusting screw and valve plug stem to enable outlet settings slightly below atmospheric pressure and even more sensitive regulation than is available with the Type 66 regulator. The Type 66Z regulator uses an additional spring under the valve plug and disk assembly to counter the control spring effect and balance the weight of the internal parts, thus permitting below-atmospheric settings with a more compact construction than is available with the Type 66ZZ regulator.

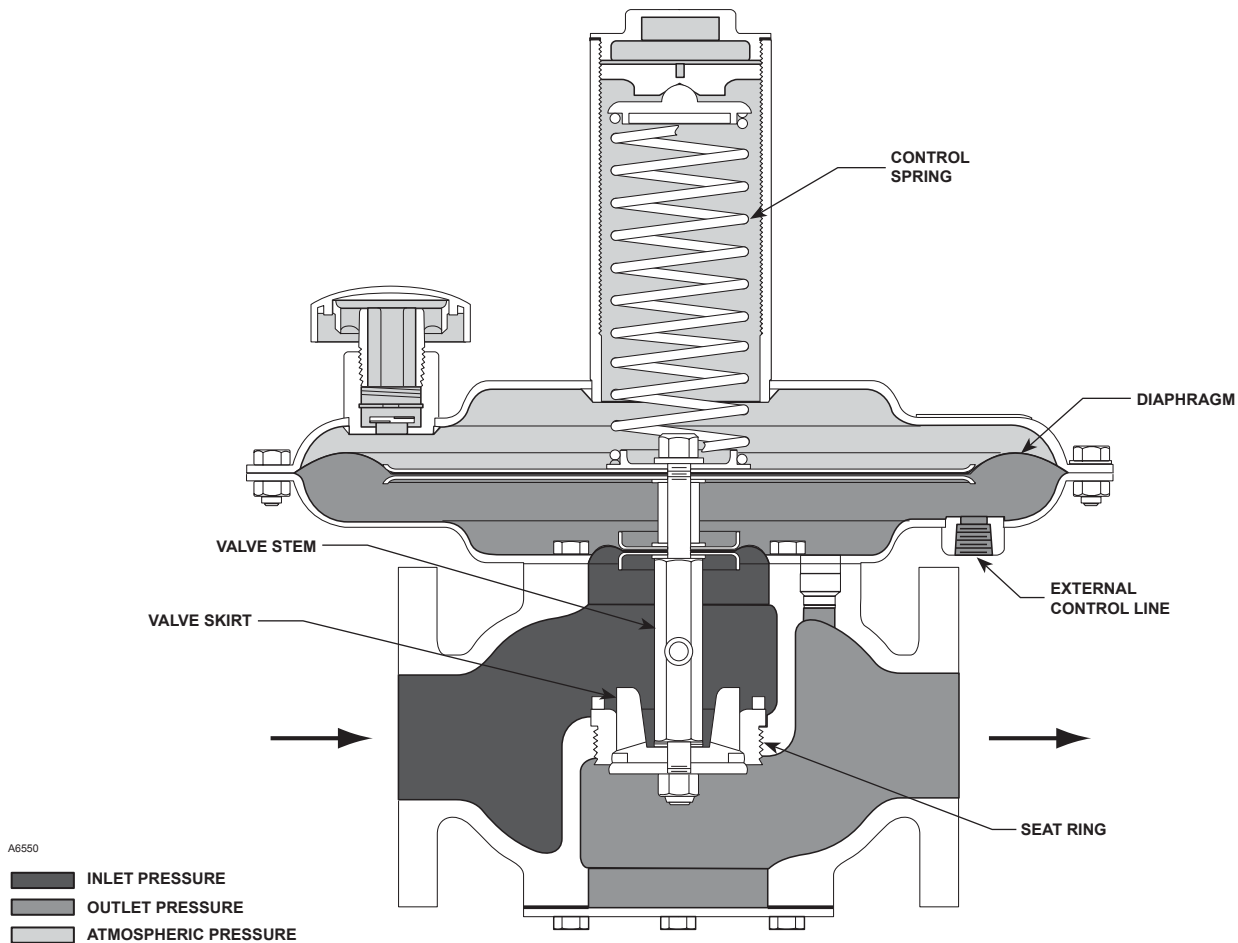


Figure 3. Standard Steel Body Operational Schematic

Principle of Operation

In the cast iron Type 66 regulator, a pitot tube senses outlet pressure. In a steel Type 66 regulator, an external control line senses outlet pressure. Both pressure-sensing methods register the outlet pressure under the main diaphragm. When increased downstream demand lowers the outlet pressure, the lower pressure under the main diaphragm causes the regulator main spring and valve plug and stem assembly to open the regulator orifice and to supply more gas to the downstream system.

When decreased downstream demand raises the outlet pressure, the higher pressure under the main diaphragm opposes the regulator main spring causing the valve plug and stem assembly to close

the regulator orifice and to supply less gas to the downstream system.

The Types 66Z and 66ZZ regulators are identical to the Type 66 regulator in operation but different in construction. The Type 66Z regulator has a counter spring under the valve plug and disk assembly which counters the main spring force to allow settings below atmospheric pressures. The Type 66ZZ regulator has a longer spring case where the main spring, a low rate tension spring, is stretched between the adjusting screw and the valve plug stem, also providing below atmospheric settings and more sensitive pressure regulation than the Types 66 and 66Z regulators.

66 Series

Installation

A 66 Series regulator or breaker should be installed horizontally with the diaphragm casings vertical above the body. Other orientations will change the setpoint and outlet pressure range due to the weight of the internal parts. Typical installations are shown in Figures 8 through 10.

To obtain the maximum flow capacities in some instances, outlet piping will have to be swaged up above the body sizes.

Connection locations and dimensions are both shown in Figure 11.

Overpressure Protection

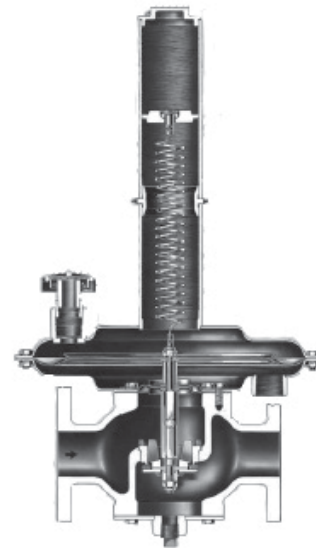
66 Series pressure-reducing regulators, vacuum regulators and vacuum breakers have different inlet and outlet pressure ratings. Complete downstream overpressure protection is needed whenever the maximum allowable inlet pressure can exceed the outlet pressure rating and upstream protection for a 66 Series vacuum regulator additionally is needed if there is any chance of a vacuum greater than 8 psi or 16.3 in. of mercury / 0.55 bar d occurring at the inlet of this kind of regulator.

Overpressuring any portion of a regulator, breaker, or associated equipment may cause leakage, part damage, or personal injury due to bursting of pressure-containing parts, explosion of accumulated gas, or implosion due to excessive vacuum. Regulator or breaker operation within ratings does not preclude the possibility of damage from external sources or from debris in the pipeline. A regulator or breaker should be inspected for damage periodically and after any overpressure condition.

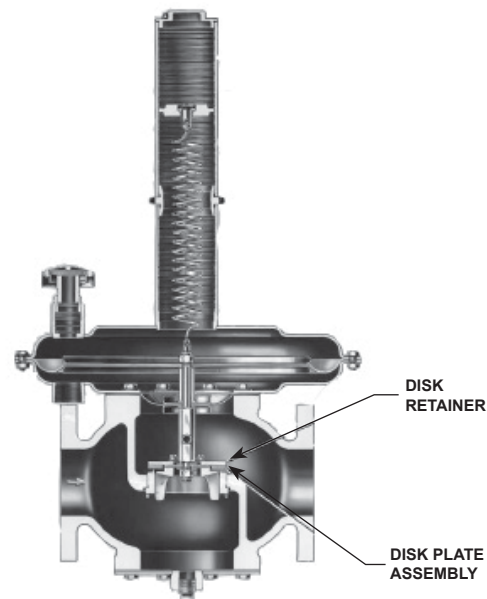
Capacity Information

Table 4 gives Type 66 and Table 5 gives Type 66Z natural gas regulating capacities at selected inlet pressures and outlet pressure settings. Flows are in SCFH at 60°F and 14.7 psia (and in Nm³/h at 0°C and 1.01325 bar) of 0.6 specific gravity natural gas.

To determine equivalent capacities for air, propane, butane or nitrogen, multiply Table 4 or 5 capacity by the following appropriate conversion factor: 0.775 for air, 0.628 for propane, 0.548 for butane or 0.789 for nitrogen. For gases of other specific gravities, multiply the given capacity by 0.775 and divide by the square root of the appropriate specific gravity. Then,



VACUUM BREAKER



VACUUM REGULATOR

Figure 4. 66 Series Vacuum Regulator and Breaker Construction Details

if capacity is desired in normal cubic meters per hour (Nm³/h) at 0°C and 1.01325 bar absolute, multiply SCFH by 0.0268.

For service conditions where the pressure drop across the regulator is less than the critical pressure drop, (absolute outlet pressure greater than one-half the absolute inlet pressure), use the sizing nomographs in Fisher™ Catalog 10, or the Fisher sizing program. (Use C₁ = 35)

Table 4. Selected Type 66 Regulating Capacities in SCFH / Nm³/h of 0.6 Specific Gravity Natural Gas⁽¹⁾

| BODY SIZE. IN. / DN | SPRING RANGE AND PART NUMBER, IN. W.C. / mbar | OUTLET PRESSURE SETTING, IN. W.C. / mbar | PROPORTIONAL BAND / FROM SETPOINT, IN. W.C. / mbar | INLET PRESSURE, SCFH / Nm ³ /h | | | | | | | |
|------------------------------------|---|--|--|---|---------------------------|----------------------|---------------------|---------------------|---------------------|---------------------|---------------------------------|
| | | | | 0.3 psig / 0.02 bar | 0.5 psig / 0.03 bar | 0.75 psig / 0.05 bar | 1.0 psig / 0.07 bar | 1.5 psig / 0.10 bar | 2.0 psig / 0.14 bar | 3.0 psig / 0.21 bar | 5 to 10 psig / 0.34 to 0.69 bar |
| 2 / 50 | 2 to 5 / 5 to 12 1D892527022 | 2.0 / 5 | -1/2 to 3/4 / -1 to 2 | 4900 / 131 D(2) | 6700 / 180 D(2) | 8250 / 221 D(2) | 10,000 / 268 D(2) | 9300 / 249 B(2) | 9150 / 245 B(2) | 8500 / 228 B(2) | 8500 / 228 B(2) |
| | | 4.0 / 10 | | 3900 / 105 D(2) | 6200 / 166 D(2) | 7850 / 210 D(2) | 9550 / 256 D(2) | 11,750 / 315 B(2) | 10,800 / 289 B(2) | 10,800 / 289 B(2) | 10,300 / 276 B(2) |
| | 4 to 8 / 10 to 20 1D892627022 | 6.0 / 15 | -3/4 to 1-1/8 / -2 to 3 | 2840 / 76.1 D(1) | 5800 / 155 D(2) | 7600 / 204 D(2) | 9550 / 256 D(2) | 12,100 / 324 D(2) | 13,500 / 362 B(2) | 10,800 / 289 B(2) | 10,300 / 276 B(2) |
| | | 7 to 12 / 17 to 30 1D892727012 | | 9.0 / 22 | -1-1/4 to 1-7/8 / -3 to 5 | ---- | 3200 / 85.8 D(2) | 6450 / 173 D(2) | 8700 / 233 D(2) | 11,100 / 297 D(2) | 13,400 / 359 B(2) |
| | 12 / 30 | | ---- | ---- | | 4500 / 121 D(2) | 6450 / 173 D(2) | 10,600 / 284 D(2) | 13,300 / 356 D(2) | 15,500 / 415 D(2) | 13,900 / 373 B(2) |
| | 10 to 17 / 25 to 42 1D892827032 | 16 / 40 | ---- | ---- | ---- | 4650 / 125 D(2) | 9000 / 241 D(2) | 12,900 / 346 D(2) | 16,750 / 449 D(2) | 16,450 / 441 B(2) | |
| | 14 to 28 / 35 to 70 1D892927032 | 20 / 50 | -2 to 3 / -5 to 7 | ---- | ---- | ---- | ---- | 8400 / 225 D(2) | 12,250 / 328 D(2) | 16,100 / 431 D(2) | 18,000 / 482 B(2) |
| | | 24 / 60 | | ---- | ---- | ---- | ---- | 7750 / 208 D(2) | 11,600 / 311 D(2) | 15,500 / 415 D(2) | 20,000 / 536 B(2) |
| | | 28 / 70 | | ---- | ---- | ---- | ---- | ---- | ---- | 12,900 / 346 D(2) | 20,000 / 536 B(2) |
| | 3 / 80 | 2 to 5 / 5 to 12 1D893027022 | 2.0 / 5 | -1/2 to 3/4 / -1 to 2 | 9000 / 241 D(2) | 12,900 / 346 D(2) | 15,500 / 415 D(2) | 21,300 / 571 D(2) | 26,400 / 708 D(2) | 29,600 / 793 B(2) | 25,100 / 673 B(2) |
| 4.0 / 10 | | | 8700 / 233 D(2) | | 12,900 / 346 D(2) | 15,500 / 415 D(2) | 21,300 / 571 D(2) | 26,400 / 708 D(2) | 29,600 / 793 B(2) | 25,100 / 673 B(2) | 23,200 / 622 B(2) |
| 4 to 8 / 10 to 20 1D893127012 | | 6.0 / 15 | -3/4 to 1-1/8 / -2 to 3 | 6125 / 164 D(1) | 12,250 / 328 D(2) | 16,750 / 449 D(2) | 18,000 / 482 D(2) | 23,200 / 622 D(2) | 30,000 / 804 B(2) | 36,100 / 967 B(2) | 31,000 / 831 B(2) |
| | | 7 to 12 / 17 to 30 1D892827032 | | 9.0 / 22 | -1-1/4 to 1-7/8 / -3 to 5 | ---- | 8250 / 221 D(2) | 12,900 / 346 D(2) | 18,000 / 482 D(2) | 23,200 / 622 D(2) | 33,500 / 898 D(2) |
| 12 / 30 | | | ---- | ---- | | 8400 / 225 D(2) | 14,200 / 381 D(2) | 20,600 / 552 D(2) | 28,400 / 761 D(2) | 36,750 / 985 D(2) | 46,400 / 1244 D(2) |
| 10 to 17 / 25 to 42 1D893227032 | | 16 / 40 | ---- | ---- | ---- | 7750 / 208 D(2) | 18,000 / 482 D(2) | 23,200 / 622 D(2) | 36,100 / 967 D(2) | 49,000 / 1313 D(2) | |
| 14 to 28 / 35 to 70 1D893327032 | | 20 / 50 | -2 to 3 / -5 to 7 | ---- | ---- | ---- | ---- | 12,900 / 346 D(2) | 20,600 / 552 D(2) | 32,200 / 863 D(2) | 46,400 / 1244 D(2) |
| | | 24 / 60 | | ---- | ---- | ---- | ---- | 11,600 / 311 D(2) | 19,300 / 517 D(2) | 25,800 / 691 D(2) | 46,400 / 1244 D(2) |
| | | 28 / 70 | | ---- | ---- | ---- | ---- | ---- | ---- | 23,200 / 622 D(2) | 46,400 / 1244 D(2) |

1. See "Capacity Information" section for conversion to other gases and/or normal cubic meters per hour.
 2. Values based on D (droop) or B (boost)

- continued -

66 Series

Table 4. Selected Type 66 Regulating Capacities in SCFH / Nm³/h of 0.6 Specific Gravity Natural Gas⁽¹⁾ (continued)

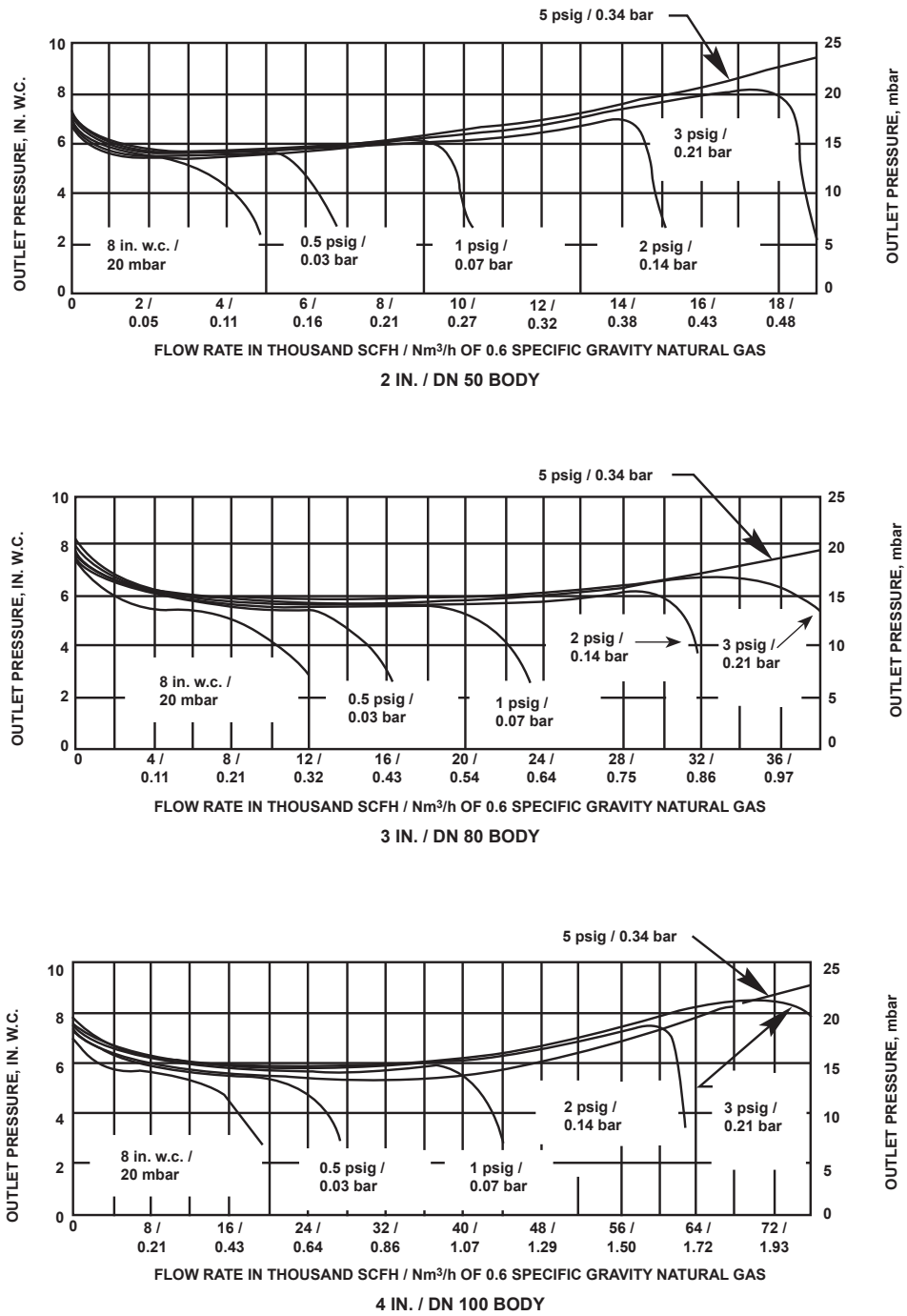
| BODY SIZE, IN. / DN | SPRING RANGE AND PART NUMBER, IN. W.C. / mbar | OUTLET PRESSURE SETTING, IN. W.C. / mbar | PROPORTIONAL BAND / FROM SETPOINT, IN. W.C. / mbar | INLET PRESSURE, SCFH / Nm ³ /h | | | | | | | |
|---------------------|---|--|--|---|-------------------------------|-------------------------------|-------------------------------|--------------------------------|--------------------------------|--------------------------------|---------------------------------|
| | | | | 0.3 psig / 0.02 bar | 0.5 psig / 0.03 bar | 0.75 psig / 0.05 bar | 1.0 psig / 0.07 bar | 1.5 psig / 0.10 bar | 2.0 psig / 0.14 bar | 3.0 psig / 0.21 bar | 5 to 10 psig / 0.34 to 0.69 bar |
| 4 / 100 | 2 to 5 / 5 to 12 1D892627022 | 2.0 / 5 | -1/2 to 3/4 / -1 to 2 | 15,500 / 415 D ⁽²⁾ | 23,200 / 622 D ⁽²⁾ | 28,400 / 761 B ⁽²⁾ | 36,100 / 967 B ⁽²⁾ | 36,100 / 967 B ⁽²⁾ | 36,100 / 967 B ⁽²⁾ | 36,100 / 967 B ⁽²⁾ | 36,100 / 967 B ⁽²⁾ |
| | | 4.0 / 10 | | 15,500 / 415 D ⁽²⁾ | 23,200 / 622 D ⁽²⁾ | 28,400 / 761 B ⁽²⁾ | 36,100 / 967 B ⁽²⁾ | 36,100 / 967 B ⁽²⁾ | 36,100 / 967 B ⁽²⁾ | 36,100 / 967 B ⁽²⁾ | 36,100 / 967 B ⁽²⁾ |
| | 4 to 8 / 10 to 20 1D893427022 | 6.0 / 15 | -3/4 to 1-1/8 / -2 to 3 | 11,600 / 311 D ⁽²⁾ | 18,000 / 482 D ⁽²⁾ | 24,500 / 657 D ⁽²⁾ | 34,800 / 933 D ⁽²⁾ | 38,700 / 1037 B ⁽²⁾ | 43,800 / 1174 B ⁽²⁾ | 43,000 / 1152 B ⁽²⁾ | 43,800 / 1174 B ⁽²⁾ |
| | 7 to 12 / 17 to 30 1D893227032 | 9.0 / 22 | -1-1/4 to 1-7/8 / -3 to 5 | ---- | 12,900 / 346 D ⁽²⁾ | 20,600 / 552 D ⁽²⁾ | 33,500 / 898 D ⁽²⁾ | 41,300 / 1107 D ⁽²⁾ | 51,500 / 1380 B ⁽²⁾ | 51,500 / 1380 B ⁽²⁾ | 51,500 / 1380 B ⁽²⁾ |
| | | 12 / 30 | | ---- | ---- | 12,900 / 346 D ⁽²⁾ | 22,600 / 606 D ⁽²⁾ | 38,700 / 1037 D ⁽²⁾ | 51,500 / 1380 D ⁽²⁾ | 58,000 / 1554 D ⁽²⁾ | 56,700 / 1520 D ⁽²⁾ |
| | 10 to 17 / 25 to 42 1D893527032 | 16 / 40 | | ---- | ---- | ---- | 20,600 / 552 D ⁽²⁾ | 36,100 / 967 D ⁽²⁾ | 51,500 / 1380 D ⁽²⁾ | 64,500 / 1729 D ⁽²⁾ | 61,800 / 1656 D ⁽²⁾ |
| | 14 to 28 / 35 to 70 1D893627032 | 20 / 50 | -2 to 3 / -5 to 7 | ---- | ---- | ---- | ---- | 27,000 / 724 D ⁽²⁾ | 46,400 / 1244 D ⁽²⁾ | 61,800 / 1656 D ⁽²⁾ | 71,000 / 1903 D ⁽²⁾ |
| | | 24 / 60 | | ---- | ---- | ---- | ---- | ---- | 41,300 / 1107 D ⁽²⁾ | 61,800 / 1656 D ⁽²⁾ | 77,500 / 2077 D ⁽²⁾ |
| | | 28 / 70 | | ---- | ---- | ---- | ---- | ---- | 58,000 / 1554 D ⁽²⁾ | 77,500 / 2077 D ⁽²⁾ | |

1. See "Capacity Information" section for conversion to other gases and/or normal cubic meters per hour.
2. Values based on D (droop) or B (boost)

Table 5. Selected Type 66Z Regulating Capacities in SCFH / Nm³/h of 0.6 Specific Gravity Natural Gas⁽¹⁾

| INLET PRESSURE | | 2 IN. W.C. / 5 mbar OUTLET PRESSURE SETTING | | | | | |
|----------------|----------|---|--------------------|--------------------|--------------------|---------------------|--------------------|
| | | 2 in. / DN 50 Body | | 3 in. / DN 80 Body | | 4 in. / DN 100 Body | |
| In. w.c. | mbar | SCFH | Nm ³ /h | SCFH | Nm ³ /h | SCFH | Nm ³ /h |
| 3 | 7 | 1930 | 51.7 | 3870 | 104 | 7750 | 208 |
| 4 | 10 | 2320 | 62.2 | 5160 | 138 | 9000 | 241 |
| 8 | 20 | 4900 | 131 | 9000 | 241 | 15,500 | 415 |
| 14 | 35 | 6700 | 180 | 12,900 | 346 | 23,200 | 622 |
| 1 psig | 0.07 bar | 10 000 | 268 | 21,300 | 571 | 36,100 | 967 |
| 2 psig | 0.14 bar | 9150 | 245 | 26,400 | 708 | 36,100 | 967 |
| 3 psig | 0.21 bar | 8500 | 228 | 33,500 | 898 | 50,000 | 1340 |
| 5 psig | 0.34 bar | 8500 | 228 | 36,100 | 967 | 50,000 | 1340 |

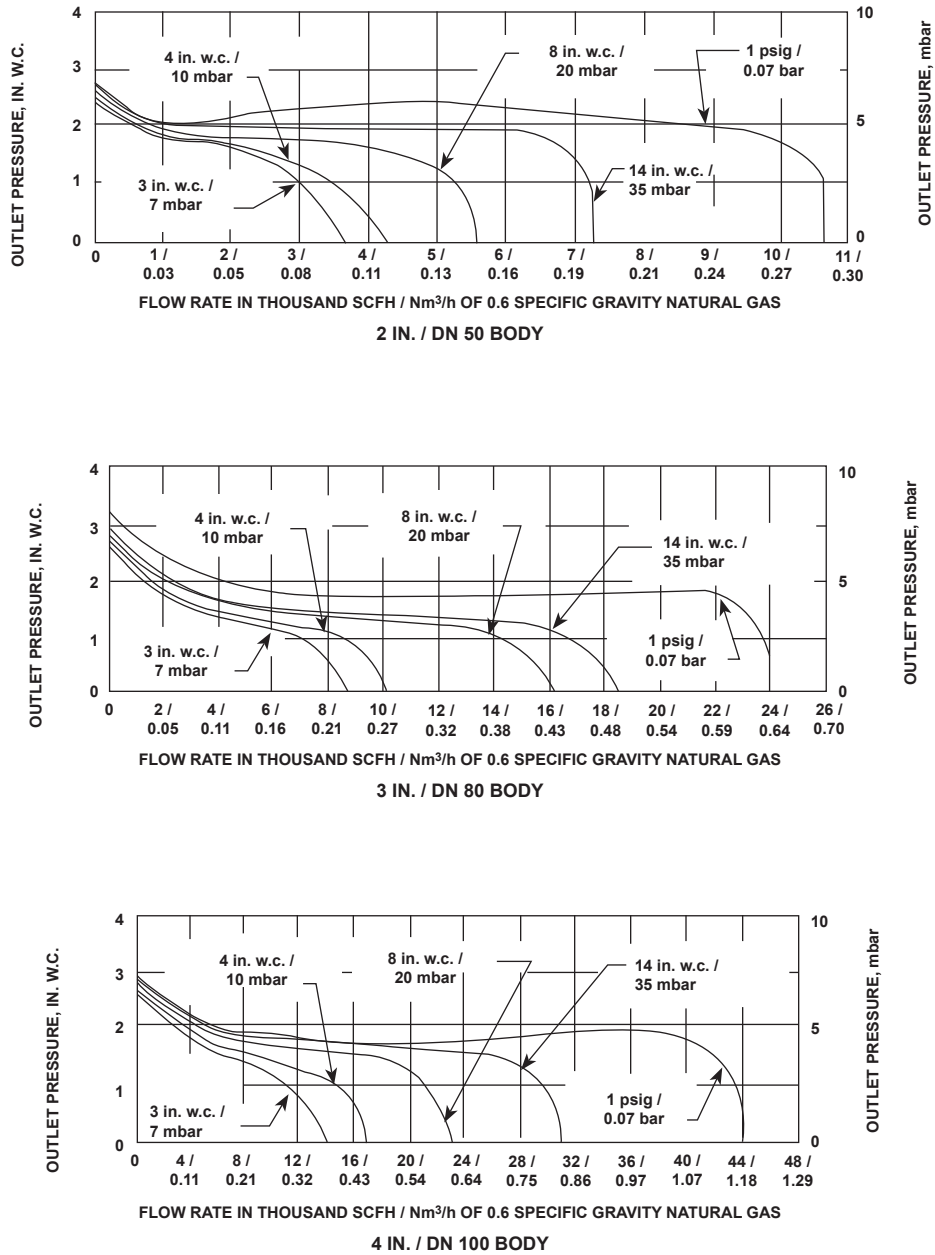
1. See "Capacity Information" section for conversion to equivalent capacities of other gases and/or normal cubic meters per hour.



NOTE:
 SEE "CAPACITY INFORMATION" SECTION FOR CONVERSION TO EQUIVALENT CAPACITIES OF OTHER GASES AND/OR NORMAL CUBIC METERS PER HOUR. EACH CURVE REPRESENTS A DIFFERENT INLET PRESSURE AS MARKED. ALL MEASUREMENTS MADE AT 6 IN. W.C. / 15 mbar OUTLET PRESSURE SETTING AND TAKEN AT OUTLET END OF REGULATOR IN PIPE SWAGED UP 12 PIPE DIAMETERS FROM REGULATOR OUTLET AS FOLLOWS:
 2 IN. / DN 50 BODY: IN 2 IN. / 50.8 mm OUTLET PIPE SWAGED UP TO 4 IN. / 102 mm
 3 IN. / DN 80 BODY: IN 3 IN. / 76.2 mm OUTLET PIPE SWAGED UP TO 8 IN. / 203 mm
 4 IN. / DN 100 BODY: IN 4 IN. / 102 mm OUTLET PIPE SWAGED UP TO 8 IN. / 203 mm

A2567/IL

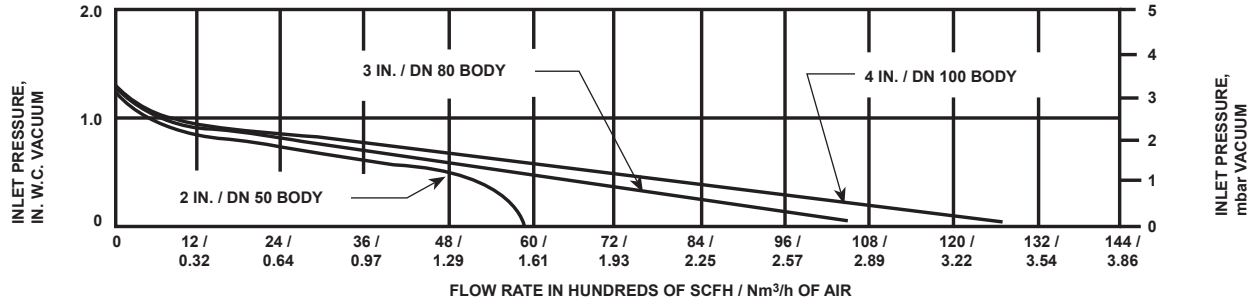
Figure 5. Typical Performance Curves for Standard Type 66 Regulator with Internal Registration



NOTE:
 SEE "CAPACITY INFORMATION" SECTION FOR CONVERSION TO EQUIVALENT CAPACITIES OF OTHER GASES AND/OR NORMAL CUBIC METERS PER HOUR. EACH CURVE REPRESENTS A DIFFERENT INLET PRESSURE AS MARKED. ALL MEASUREMENTS MADE AT 2 IN. W.C. / 5 mbar OUTLET PRESSURE SETTING AND TAKEN AT OUTLET END OF REGULATOR IN PIPE SWAGED UP 12 PIPE DIAMETERS FROM REGULATOR OUTLET AS FOLLOWS:
 2 IN. / DN 50 BODY: IN 2 IN. / 50.8 mm OUTLET PIPE SWAGED UP TO 4 IN. / 102 mm
 3 IN. / DN 80 BODY: IN 3 IN. / 76.2 mm OUTLET PIPE SWAGED UP TO 8 IN. / 203 mm
 4 IN. / DN 100 BODY: IN 4 IN. / 102 mm OUTLET PIPE SWAGED UP TO 8 IN. / 203 mm

A2569JL

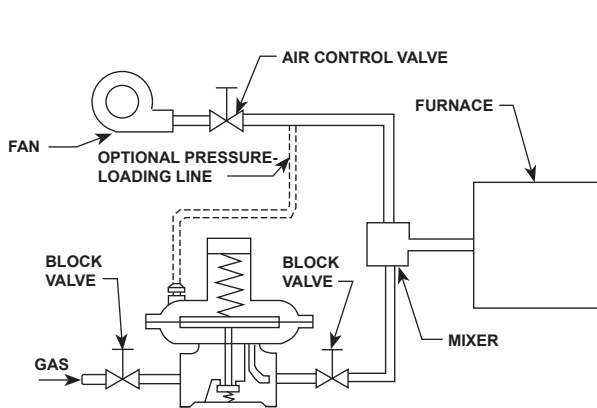
Figure 6. Typical Performance Curves for Standard Type 66Z Regulator with Internal Registration



NOTE:
 FLOWS ARE IN SCFH AT 60°F AND 14.7 psia (AND IN THOUSANDS OF Nm³/h AT 0°C AND 1.01325 bar) OF AIR. FOR EQUIVALENT FLOWS OF OTHER GASES, DIVIDE BY THE SQUARE ROOT OF THE APPROPRIATE SPECIFIC GRAVITY. THEN, IF CAPACITY IS DESIRED IN NORMAL CUBIC METERS PER HOUR (Nm³/h) AT 0°C AND 1.01325 bar ABSOLUTE, MULTIPLY SCFH BY 0.0268. EACH CURVE REPRESENTS SETTING POINT OF 1 IN. W.C. / 2.50 mbar VACUUM MADE AT 8 IN. W.C. / 20 mbar VACUUM OUTLET PRESSURE AND 300 SCFH / 8.04 Nm³/h AIR FLOW.

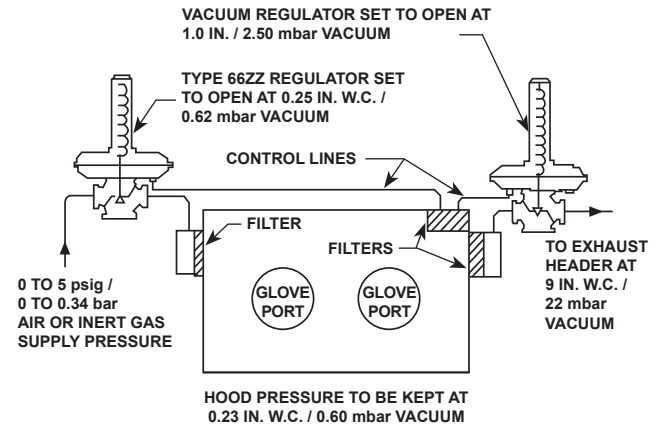
BJ9126_A

Figure 7. Typical 66 Series Vacuum Regulator Capacity Performance Curves



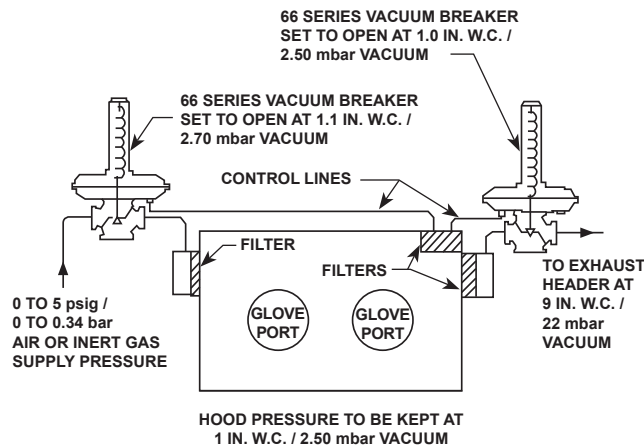
AD6808

Figure 8. Type 66Z Regulator Installation in Furnace Mixing System



BJ9005-B

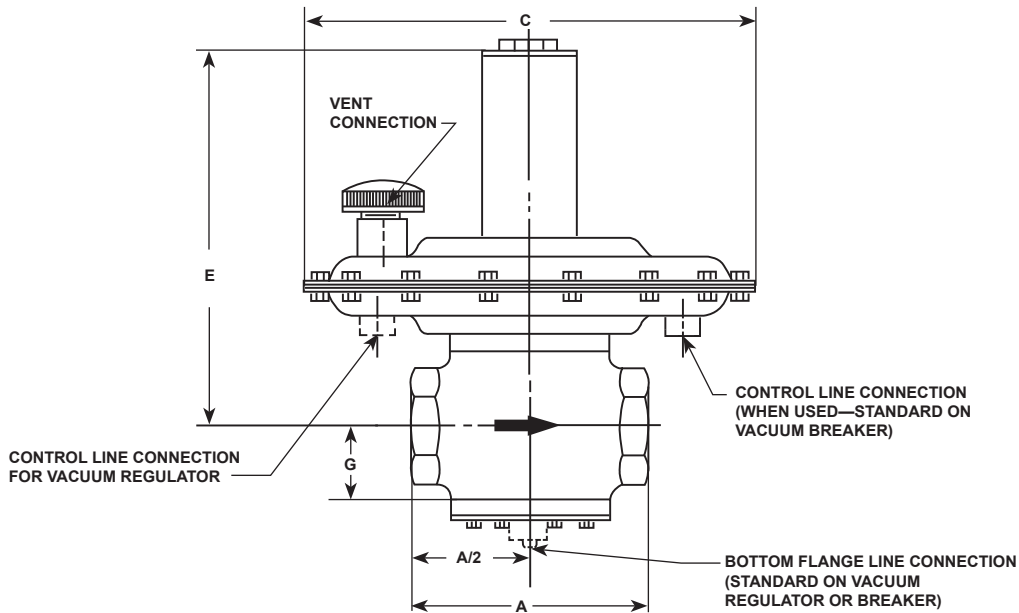
Figure 9. Type 66ZZ Regulator Installation in Hood Control System



BJ9005_B

Figure 10. 66 Series Vacuum Breaker and Regulator Installation in Hood Control System

66 Series



AD6045_F

Figure 11. 66 Series Dimensions

Table 6. 66 Series Dimensions

| NOMINAL BODY SIZE, IN. / DN | A | | | | | | | | C | | E | | | | G | | | |
|-----------------------------|--------------------|------|----------------|------|--|-----|---------------------|------|-------|-----|----------------|--|-------|----------------|------|------------|------|------|
| | NPT Cast Iron Body | | NPT Steel Body | | CL125 FF Cast Iron or CL150 RF ⁽¹⁾ Steel Body | | CL300 RF Steel Body | | | | Type 66 or 66Z | Type 66ZZ or 66 Series Vacuum Regulator or Breaker | | NPT Steel Body | | All Others | | |
| | In. | mm | In. | mm | In. | mm | In. | mm | In. | mm | In. | mm | In. | mm | In. | mm | In. | mm |
| 2 / 50 | 7.25 | 184 | 9.25 | 235 | 10.00 | 254 | 10.50 | 267 | 13.88 | 353 | 15.00 | 381 | 21.38 | 543 | 3.31 | 84.1 | 3.25 | 82.6 |
| 3 / 80 | ---- | ---- | ---- | ---- | 11.75 | 298 | ---- | ---- | 16.00 | 406 | 17.62 | 448 | 24.00 | 610 | ---- | ---- | 4.62 | 117 |
| 4 / 100 | ---- | ---- | ---- | ---- | 13.88 | 353 | ---- | ---- | 18.00 | 457 | 21.25 | 540 | 27.63 | 702 | ---- | ---- | 5.38 | 137 |

1. Dimension also is same for 2 in. / DN 50 CL150 FF steel body.

Ordering Information

When ordering, specify:

Application

1. Composition and specific gravity of gas (including chemical analysis if possible).
2. Range of temperatures, flowing inlet pressures (maximum, minimum, nominal) and pressure drops.
3. Desired outlet (control) pressure setting or range.

4. Range of flow rates (minimum controlled, maximum, normal).
5. Piping size(s).

Construction

Refer to the Specifications section on page 2 and to each referenced table; specify the desired selection whenever there is a choice to be made. Always be sure to specify the regulator type number.

Ordering Guide

Body, Body Size, and End Connection Styles (Select One)

Cast Iron Body (Select One)

- 2 in. NPT**
- 2 in. / DN 50 CL125 FF**
- 3 in. / DN 80 CL125 FF**
- 4 in. / DN 100 CL125 FF**

Steel Body (External Pressure Registration Only)

- 2 in. / NPT**
- 2 in. / DN 50 CL150 FF**
- 2 in. / DN 50 CL150 RF**
- 2 in. / DN 50 CL300 RF**
- 3 in. / DN 80 CL150 RF**
- 4 in. / DN 100 CL150 RF**

Outlet (Control) Pressure Range

66 Series Pressure Reducing Regulators

Type 66

- 2 to 5 in. w.c. / 5 to 12 mbar**
- 4 to 8 in. w.c. / 10 to 20 mbar**
- 4 to 11 in. w.c. / 10 to 27 mbar**
- 7 to 12 in. w.c. / 17 to 30 mbar**
- 8 to 28 in. w.c. / 20 to 70 mbar**
- 10 to 17 in. w.c. / 25 to 42 mbar**
- 14 to 28 in. w.c. / 35 to 70 mbar**
- 0.75 to 1.5 psig / 52 to 103 mbar**
- 1 to 2 psig / 69 to 138 mbar**
- 1.5 to 3 psig / 103 to 207 mbar**
- 3 to 5 psig / 207 to 345 mbar
(not available for 4 in. / DN 100 body)**

Type 66Z

- 1 to 2 in. w.c. / -2 to 5 mbar

Type 66ZZ

- 0.25 to 0.25 in. w.c. / -0.62 to 0.62 mbar

66 Series Vacuum Regulator or Breakers

- 0 to 1.5 in. w.c. / 0 to 4 mbar
(not available for 2 and 3 in. / DN 50 and 80 body size)
- 0 to -2 in. w.c. / 0 to -5 mbar
- 0.2 to -0.8 in. w.c. / -0.74 to -2 mbar
(not available for 3 in. / DN 80 body size)
- 2 to -6 in. w.c. / -0.5 to -15 mbar

Trim Material (Select One)

- Brass**
- 316 Stainless steel**

Pressure Registration (Select One)

- Internal (cast iron standard)**
- External (required for steel, optional for cast iron)**

Replacement Parts Kit (Optional)

- Yes, send one replacement parts kit to match this order.

| Regulators Quick Order Guide | |
|---|--|
| *** | Standard - Readily Available for Shipment |
| ** | Non-Standard - Allow Additional Time for Shipment |
| * | Special Order, Constructed from Non-Stocked Parts. Consult your local Sales Office for Availability. |
| Availability of the product being ordered is determined by the component with the longest shipping time for the requested construction. | |

| Specification Worksheet | |
|--|--|
| Application: | |
| Specific Use | _____ |
| Line Size | _____ |
| Gas Type and Specific Gravity | _____ |
| Gas Temperature | _____ |
| Does the Application Require Overpressure Protection? | |
| <input type="checkbox"/> Yes | <input type="checkbox"/> No If yes, which is preferred: |
| <input type="checkbox"/> Relief Valve | <input type="checkbox"/> Monitor Regulator <input type="checkbox"/> Shutoff Device |
| Is overpressure protection equipment selection assistance desired? _____ | |
| Pressure: | |
| Maximum Inlet Pressure (P _{1max}) | _____ |
| Minimum Inlet Pressure (P _{1min}) | _____ |
| Downstream Pressure Setting(s) (P ₂) | _____ |
| Maximum Flow (Q _{max}) | _____ |
| Performance Required: | |
| Accuracy Requirements? | _____ |
| Need for Extremely Fast Response? | _____ |
| Other Requirements: _____ | |

✉ Webadmin.Regulators@emerson.com

🔍 Fisher.com

📘 Facebook.com/EmersonAutomationSolutions

🌐 LinkedIn.com/company/emerson-automation-solutions

🐦 Twitter.com/emr_automation

Emerson Automation Solutions

Americas

McKinney, Texas 75070 USA
T +1 800 558 5853
+1 972 548 3574

Europe

Bologna 40013, Italy
T +39 051 419 0611

Asia Pacific

Singapore 128461, Singapore
T +65 6777 8211

Middle East and Africa

Dubai, United Arab Emirates
T +971 4 811 8100

D100114X012 © 1971, 2018 Emerson Process Management Regulator Technologies, Inc. All rights reserved. 07/18.

The Emerson logo is a trademark and service mark of Emerson Electric Co. All other marks are the property of their prospective owners. Fisher™ is a mark owned by Fisher Controls International LLC, a business of Emerson Automation Solutions.

The contents of this publication are presented for information purposes only, and while effort has been made to ensure their accuracy, they are not to be construed as warranties or guarantees, express or implied, regarding the products or services described herein or their use or applicability. All sales are governed by our terms and conditions, which are available on request. We reserve the right to modify or improve the designs or specifications of our products at any time without notice.

Emerson Process Management Regulator Technologies, Inc. does not assume responsibility for the selection, use or maintenance of any product. Responsibility for proper selection, use and maintenance of any Emerson Process Management Regulator Technologies, Inc. product remains solely with the purchaser.

