

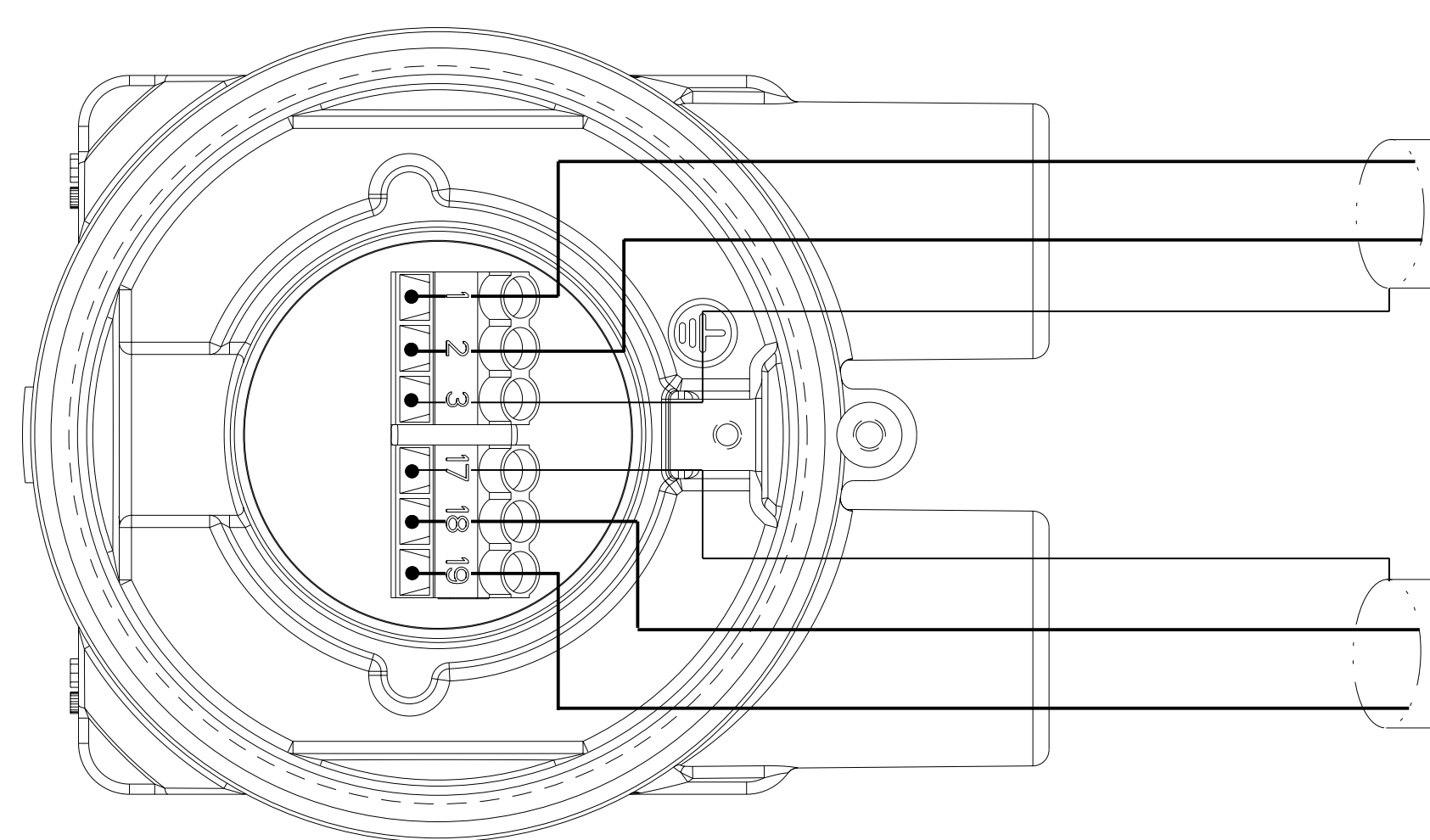
TABULATION	
DASH NO.	DESCRIPTION
-0001	AS SHOWN

THIS SHEET
FOR 8732E TRANSMITTER +
2411C AND 2442C COMPONENT CABLES

MODEL 8732E REMOTE
MOUNT TRANSMITTER

REVISION TABLE			
REVISION	ECO NO.	APP'D	DATE
AB	RTF1056076	E.M.	2/19/13
DESCRIPTION			
UPDATE WIRING VIEWS			

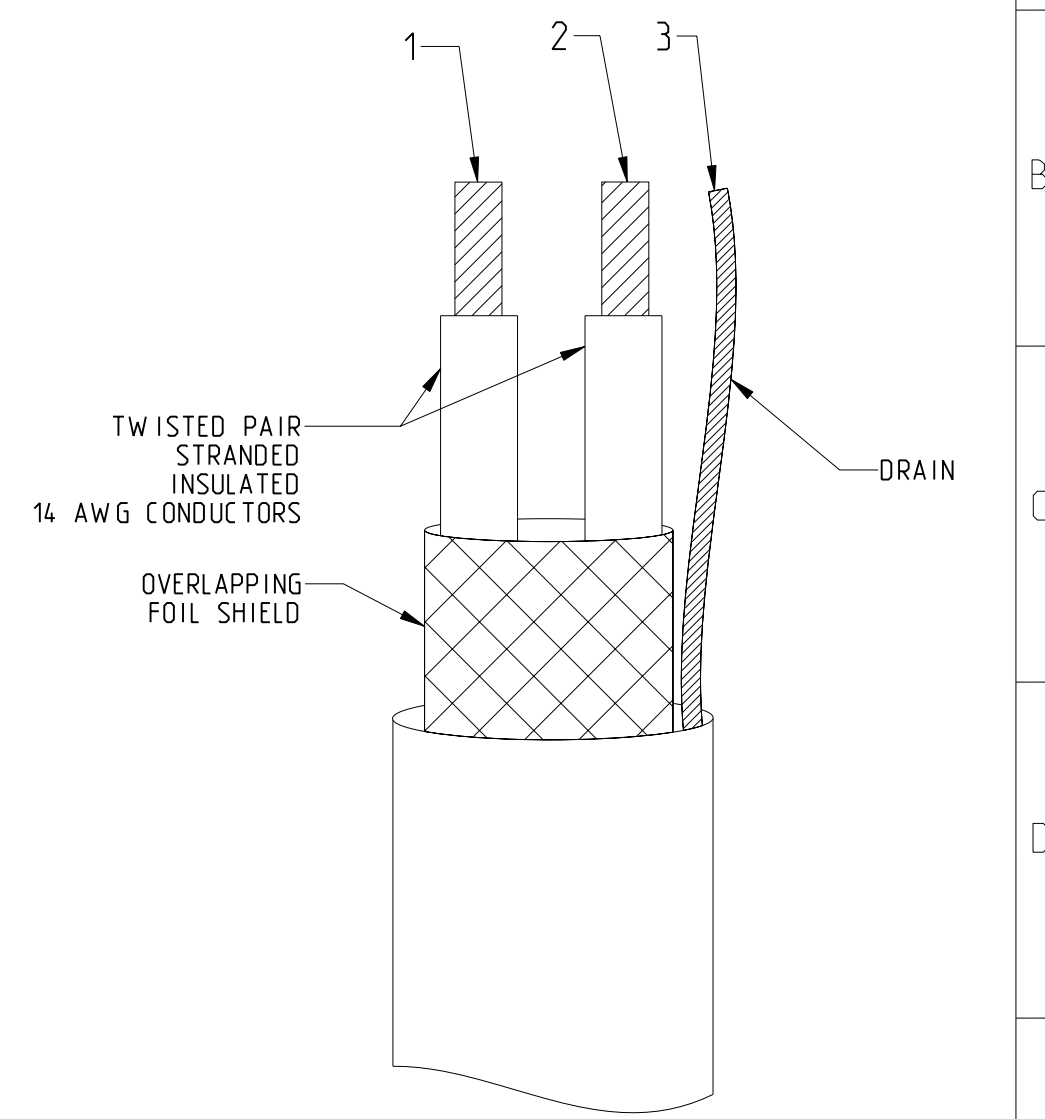
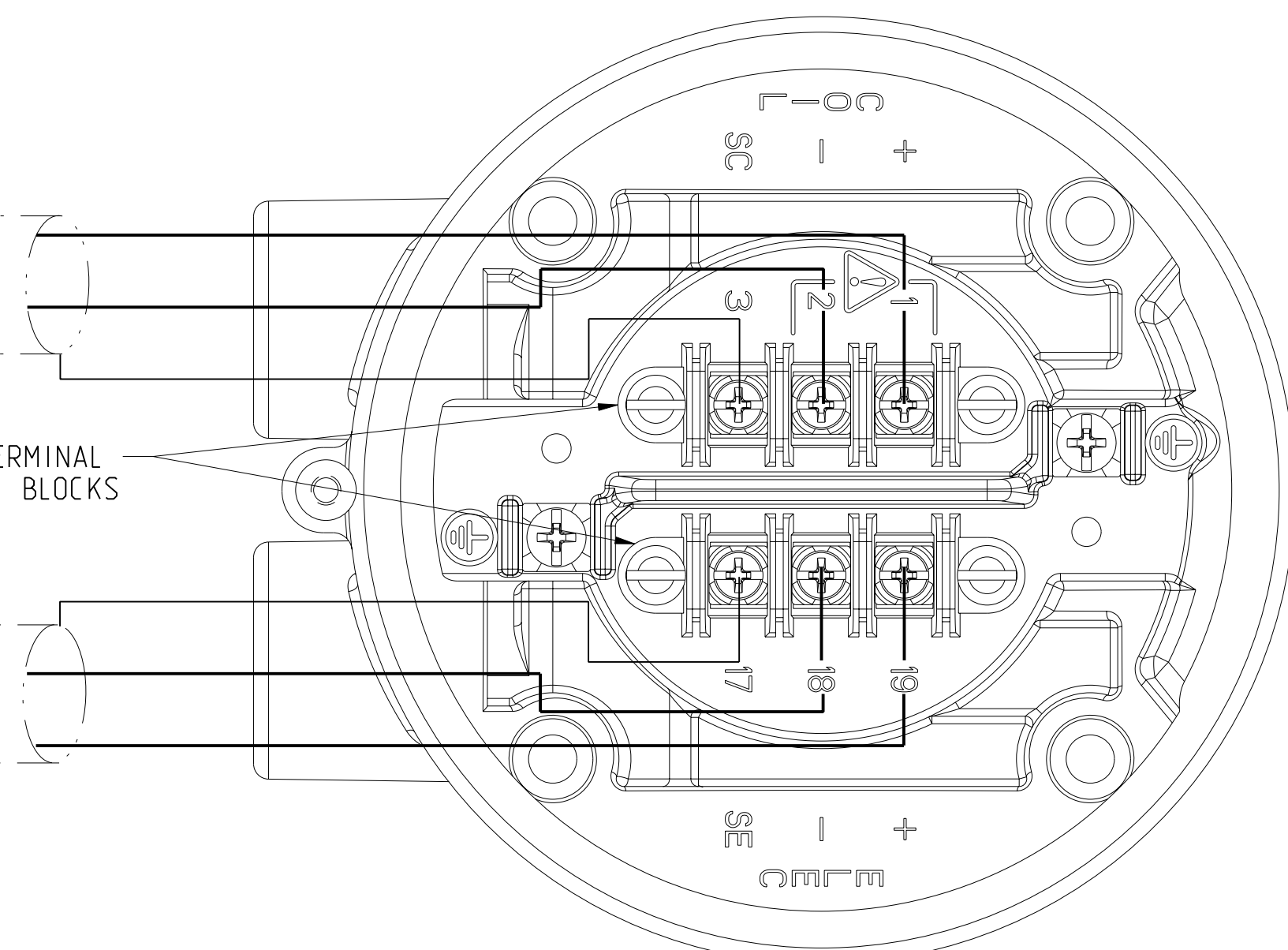
MODEL 8705-8711 FLOW TUBE



SEE DETAIL "A"

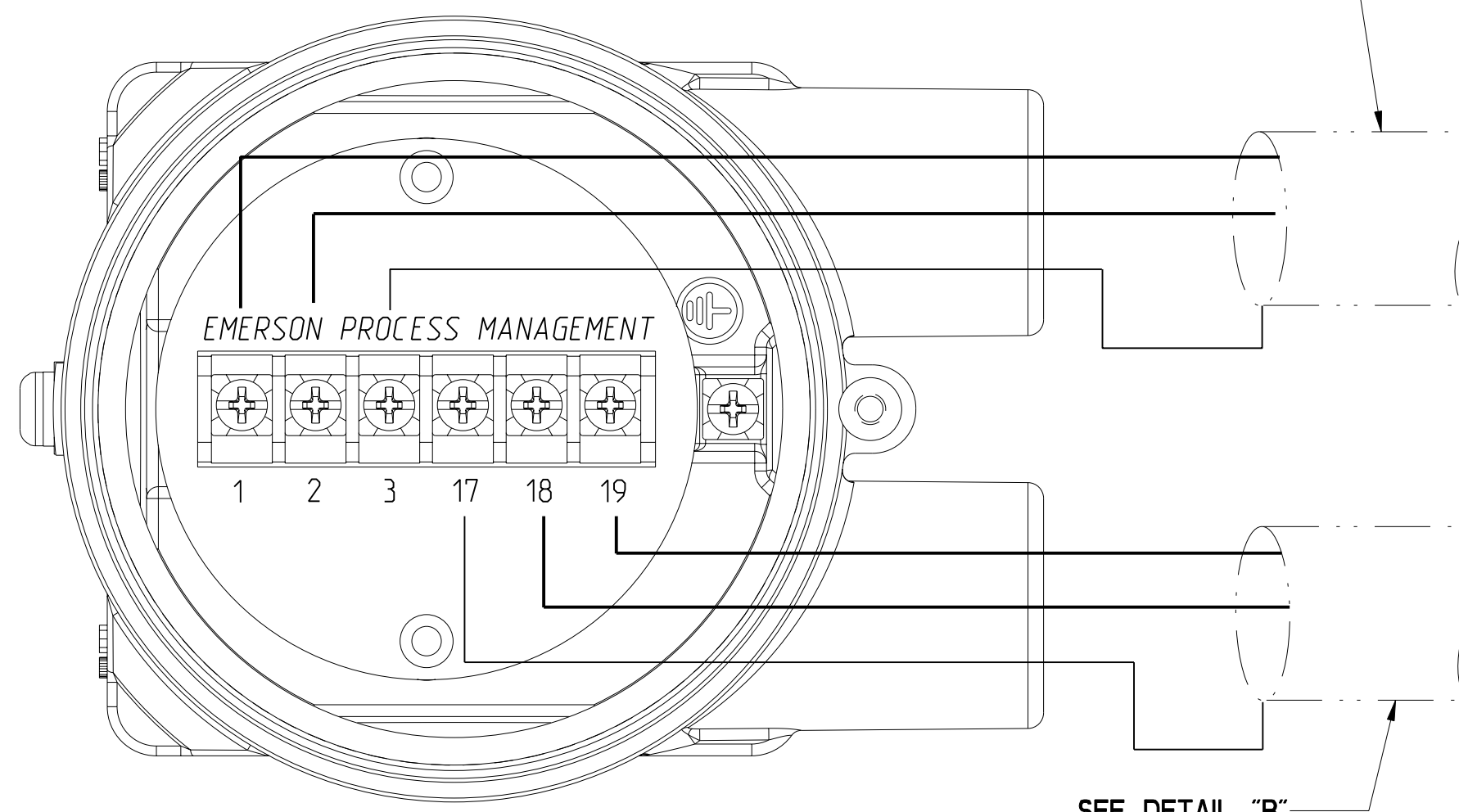
SEE DETAIL "B"

TERMINAL
BLOCKS



DETAIL "A"
1 - (+) COIL
2 - (-) COIL
3 - COIL SHIELD/DRAIN
BELDEN 8720, ALPHA 2442C OR EQUIVALENT

MODEL 8721 FLOW TUBE



SEE DETAIL "A"

SEE DETAIL "B"

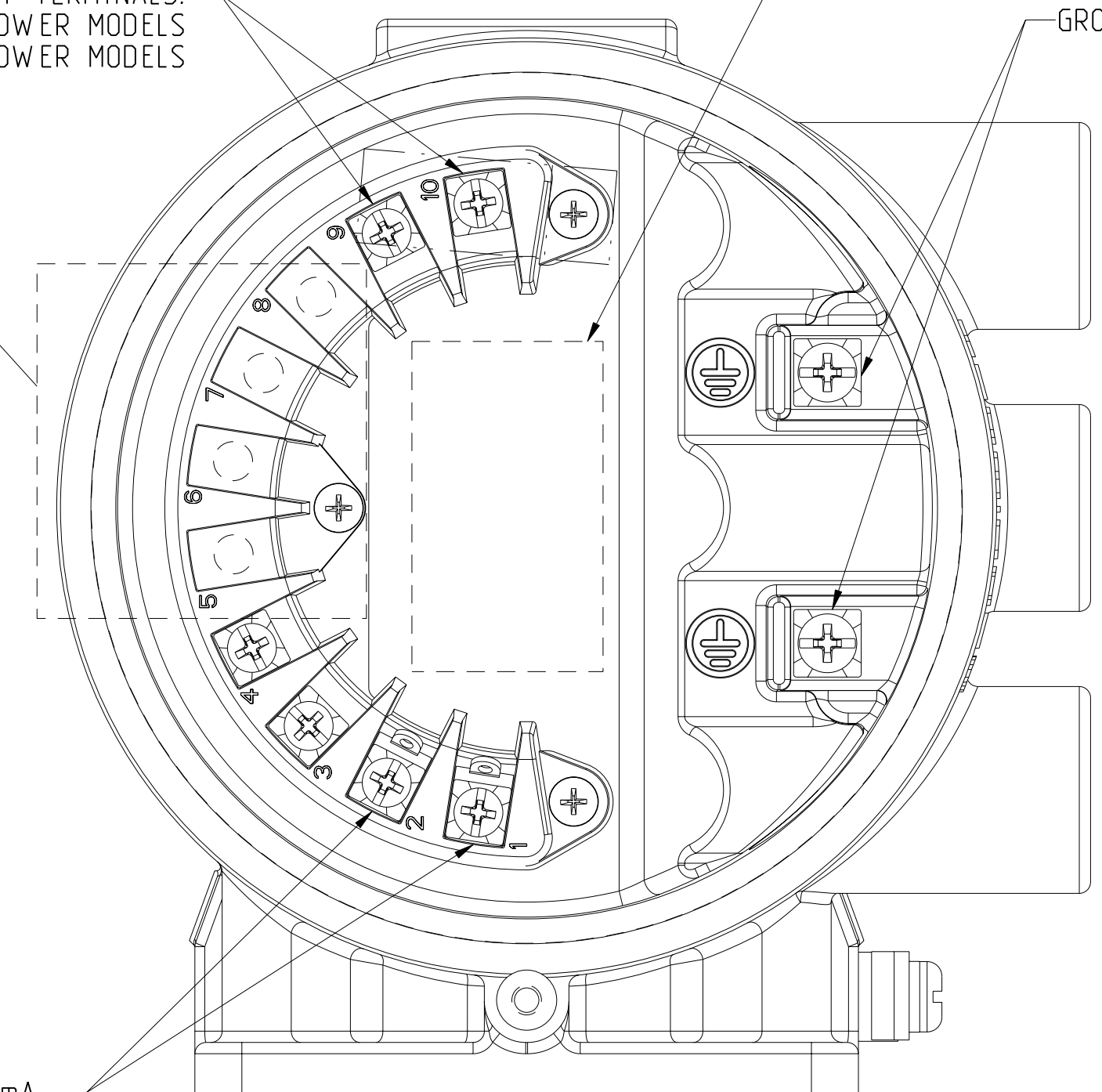
POWER INPUT TERMINALS:
90-250 VAC RMS FOR AC POWER MODELS
12-42 VDC FOR DC POWER MODELS

AC/DC
WARNING
LABEL

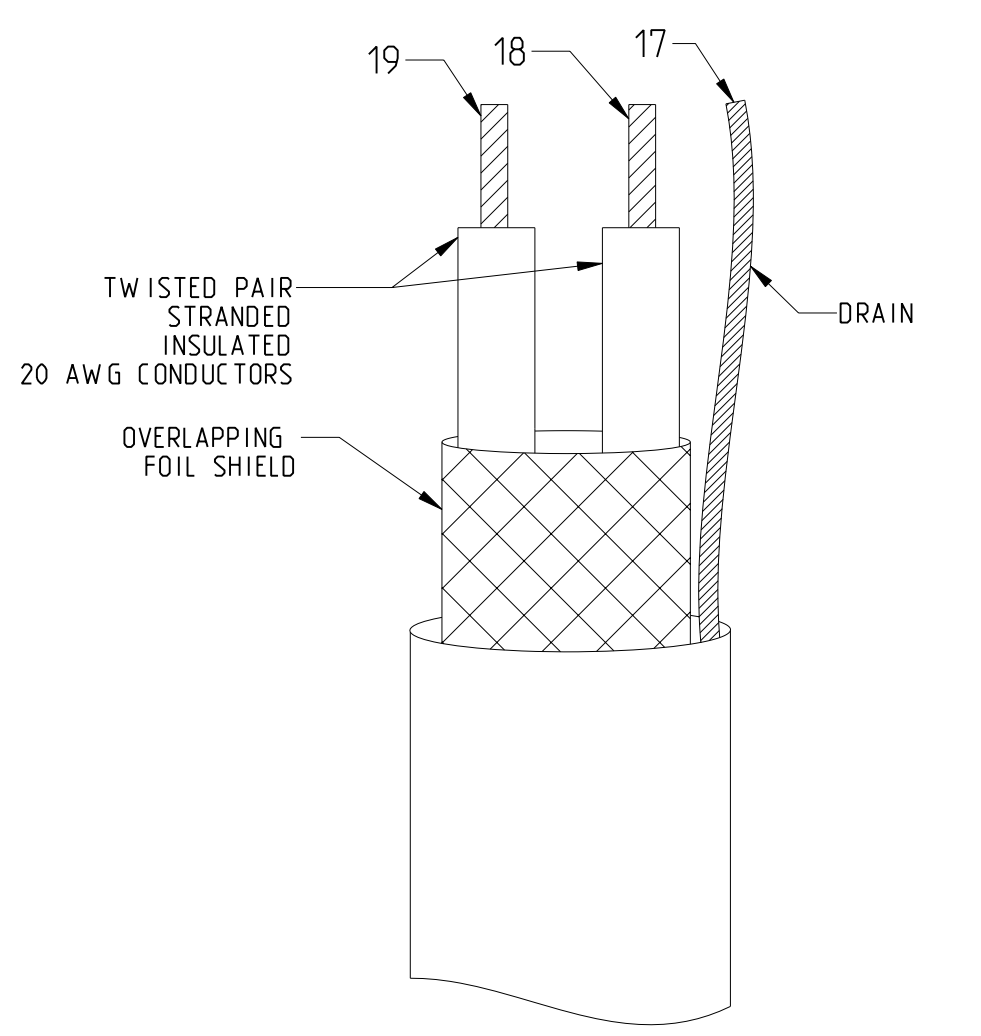
GROUNDING LUGS

OPTIONAL
DIGITAL INPUT
DIGITAL OUTPUT
(DI/DO)

8732E WIRING DIAGRAM	
TERMINAL	DESCRIPTION
1	ANALOG (-)
2	ANALOG (+)
3	PULSE (-)
4	PULSE (+)
5	DI/DO 1(-)
6	DI/DO 1(+)
7	DI/DO 2(-)
8	DI/DO 2(+)
9	DC (-), AC N/L2
10	DC (+), AC L1



ANALOG 4-20 mA
OR DIGITAL FIELDBUS



DETAIL "B"
19 - (+) ELECTRODE
18 - (-) ELECTRODE
17 - ELECTRODE SHIELD/DRAIN
BELDEN 8762, ALPHA2411C OR EQUIVALENT

TYPICAL CONDUCTOR	INSULATOR	WIRE COLOR
ALPHA 2411C	ALPHA 2442C	ROSEMOUNT 08732-0753
19 CLEAR/WHITE	1 CLEAR/WHITE	19 WHITE
18 BLACK	2 BLACK	18 BLACK
17 DRAIN	3 DRAIN	17 DRAIN
-	-	1 RED
-	-	2 GREEN
-	-	3 DRAIN

8732E TRANSMITTER
OUTPUT AND POWER WIRING

CONFIDENTIAL AND PROPRIETARY INFORMATION IS CONTAINED HEREIN AND MUST BE HANDLED ACCORDINGLY. ROSEMOUNT

UNLESS OTHERWISE SPECIFIED DIMENSIONS IN INCHES (mm). REMOVE ALL BURRS AND SHARP EDGES.

EMERSON Process Management

ROSEMOUNT
8200 Market Boulevard - Chanhassen, MN 55317 USA

TITLE: **INSTALLATION DRAWING, E-SERIES TRANSMITTER WIRING**

DR: N. BOND 11/2/12 DRAWING NO. 08732-1503

APP'D: MESSENGER 11/21/12

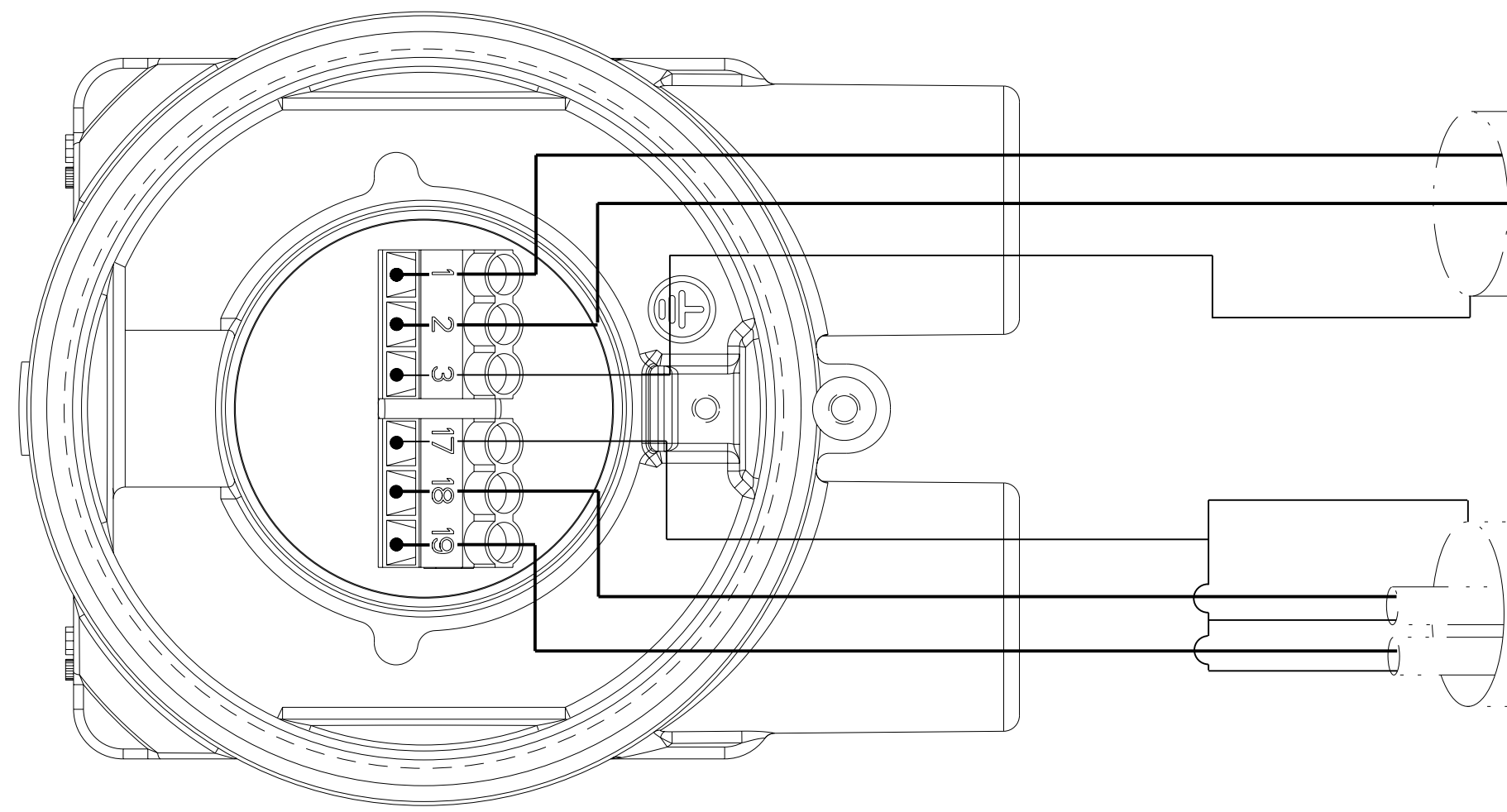
DO NOT SCALE PRINT CAD MAINTAINED, (PRO/E) PRODUCT CODE - DOC TYPE - SHEET 1 OF 4

DRAWING NO. 08732-1503

THIS SHEET
FOR 8732E TRANSMITTER +
08732-0753 COMBO CABLE

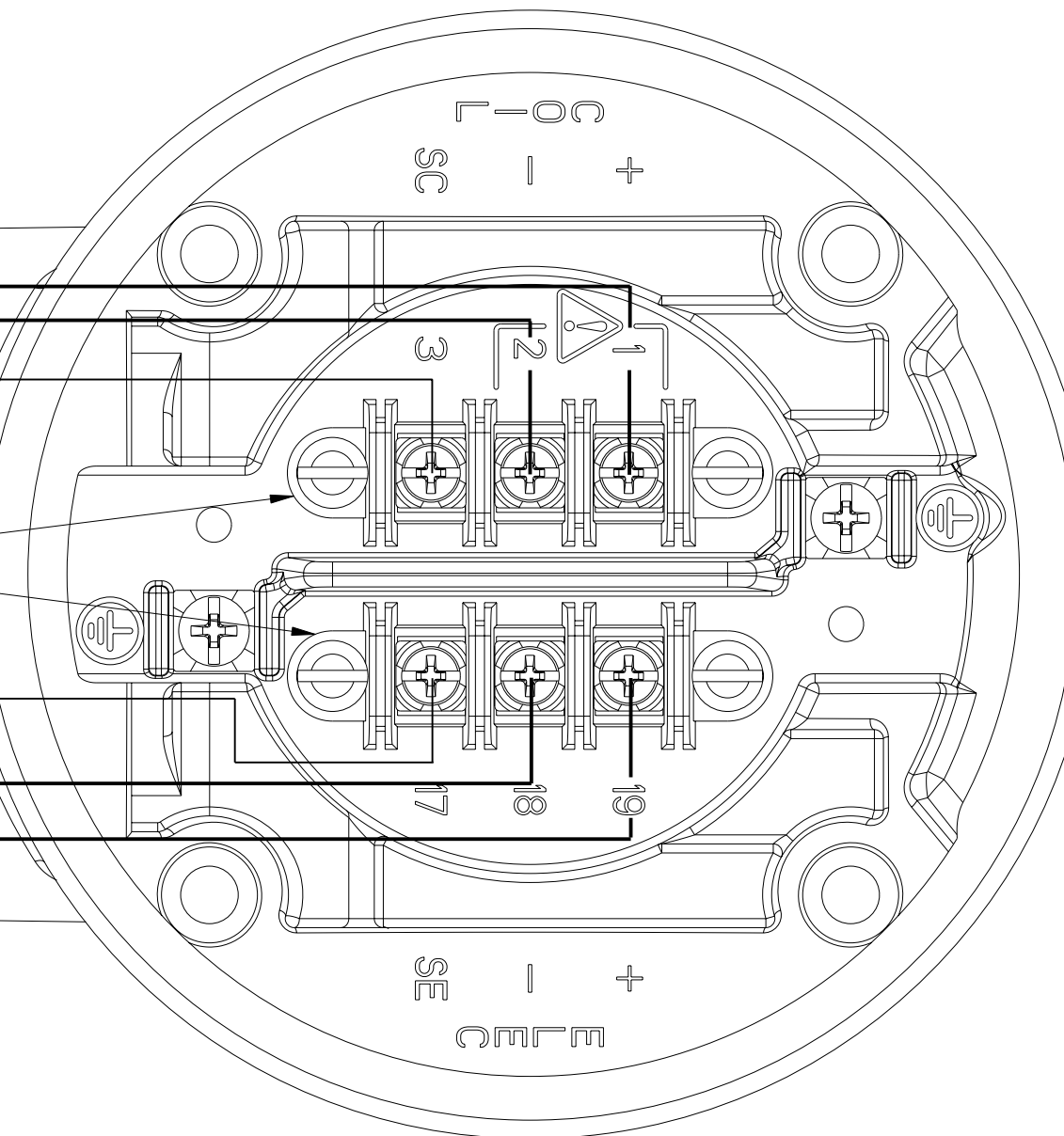
MODEL 8732E REMOTE
MOUNT TRANSMITTER

MODEL 8705-8711 FLOW TUBE

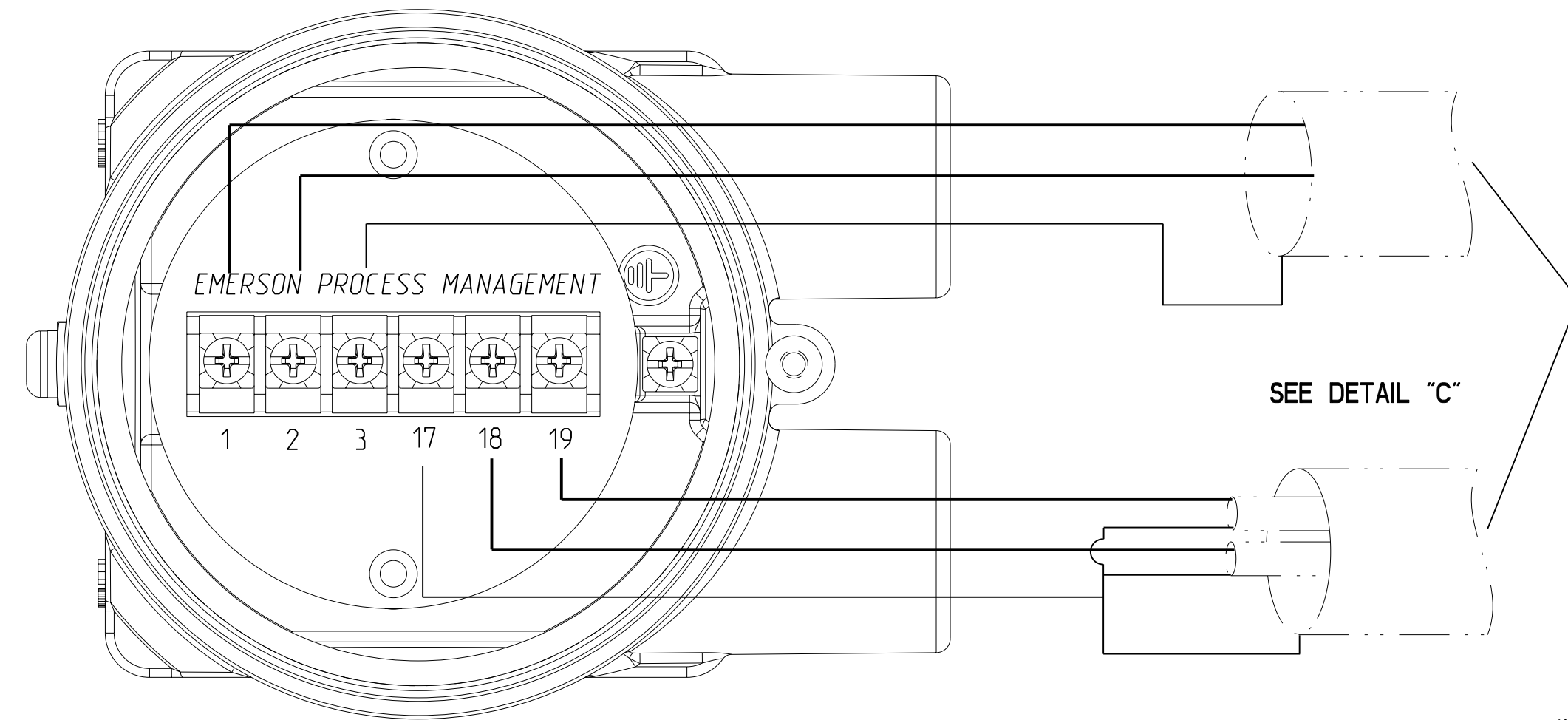


SEE DETAIL "C"

TERMINAL
BLOCKS



MODEL 8721 FLOW TUBE



SEE DETAIL "C"

POWER INPUT TERMINALS:
90-250 VAC RMS FOR AC POWER MODELS
12-42 VDC FOR DC POWER MODELS

AC/DC
WARNING
LABEL

GROUNDING LUGS

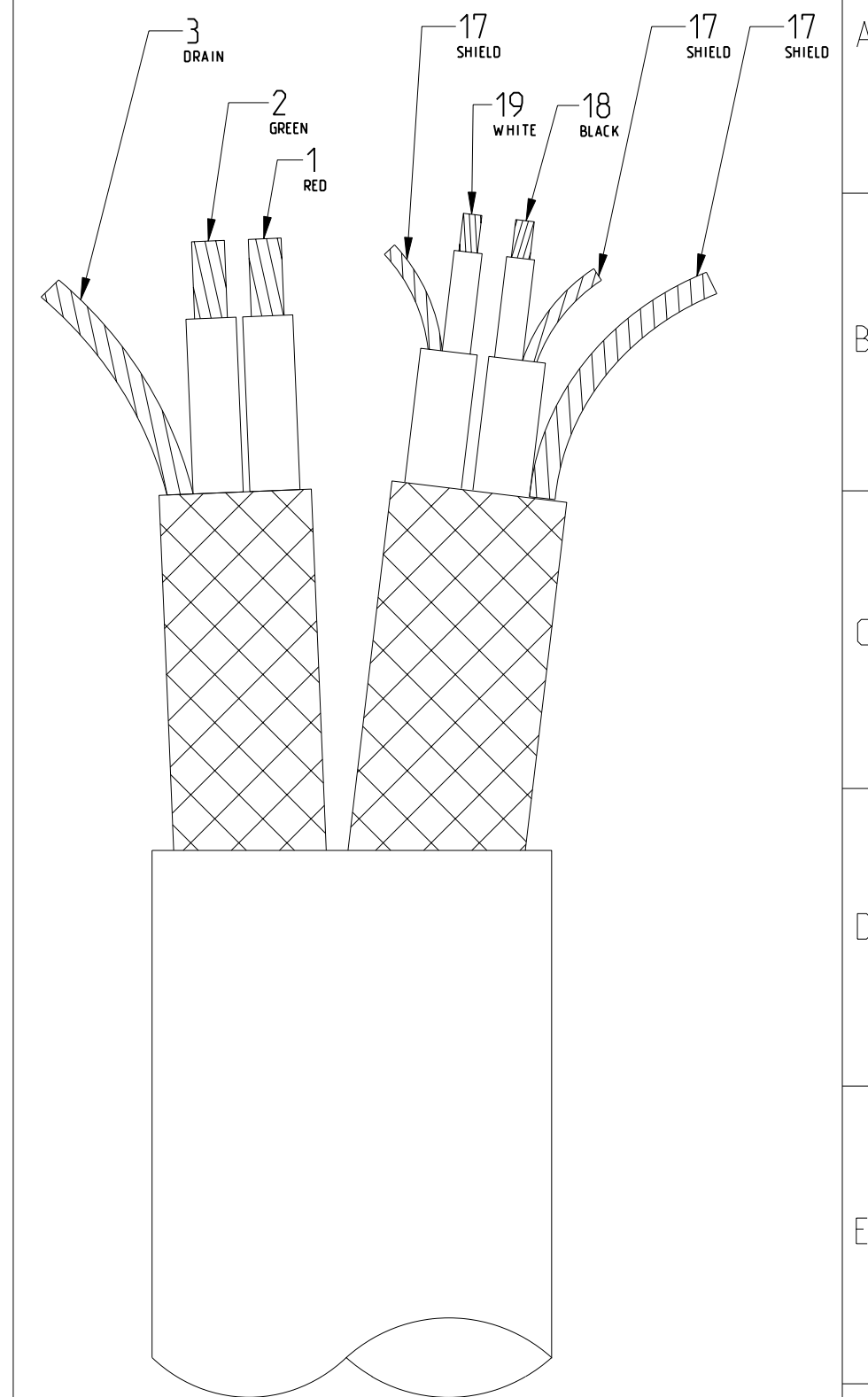
OPTIONAL
DIGITAL INPUT
DIGITAL OUTPUT
(DI/DO)

PULSE OUTPUTS
(NOT AVAILABLE WITH
DIGITAL PROTOCOLS)

8732 WIRING DIAGRAM	
TERMINAL	DESCRIPTION
1	ANALOG (-)
2	ANALOG (+)
3	PULSE (-)
4	PULSE (+)
5	DI/DO 1(-)
6	DI/DO 1(+)
7	DI/DO 2(-)
8	DI/DO 2(+)
9	DC (-), AC N/L2
10	DC (+), AC L1

ANALOG 4-20 mA
OR DIGITAL FIELDBUS

8732E TRANSMITTER
OUTPUT AND POWER WIRING



DETAIL "C"
HIGH PERFORMANCE
ELECTRICAL CABLE ASSEMBLY

ROSEMOUNT PART #
08732-0753-1003
-OR-
08732-0753-2004

- 19 - (+) ELECTRODE
- 18 - (-) ELECTRODE
- 17 - ELECTRODE SHIELD/DRAIN
- 1 - (+) COIL
- 2 - (-) COIL
- 3 - COIL SHIELD/DRAIN

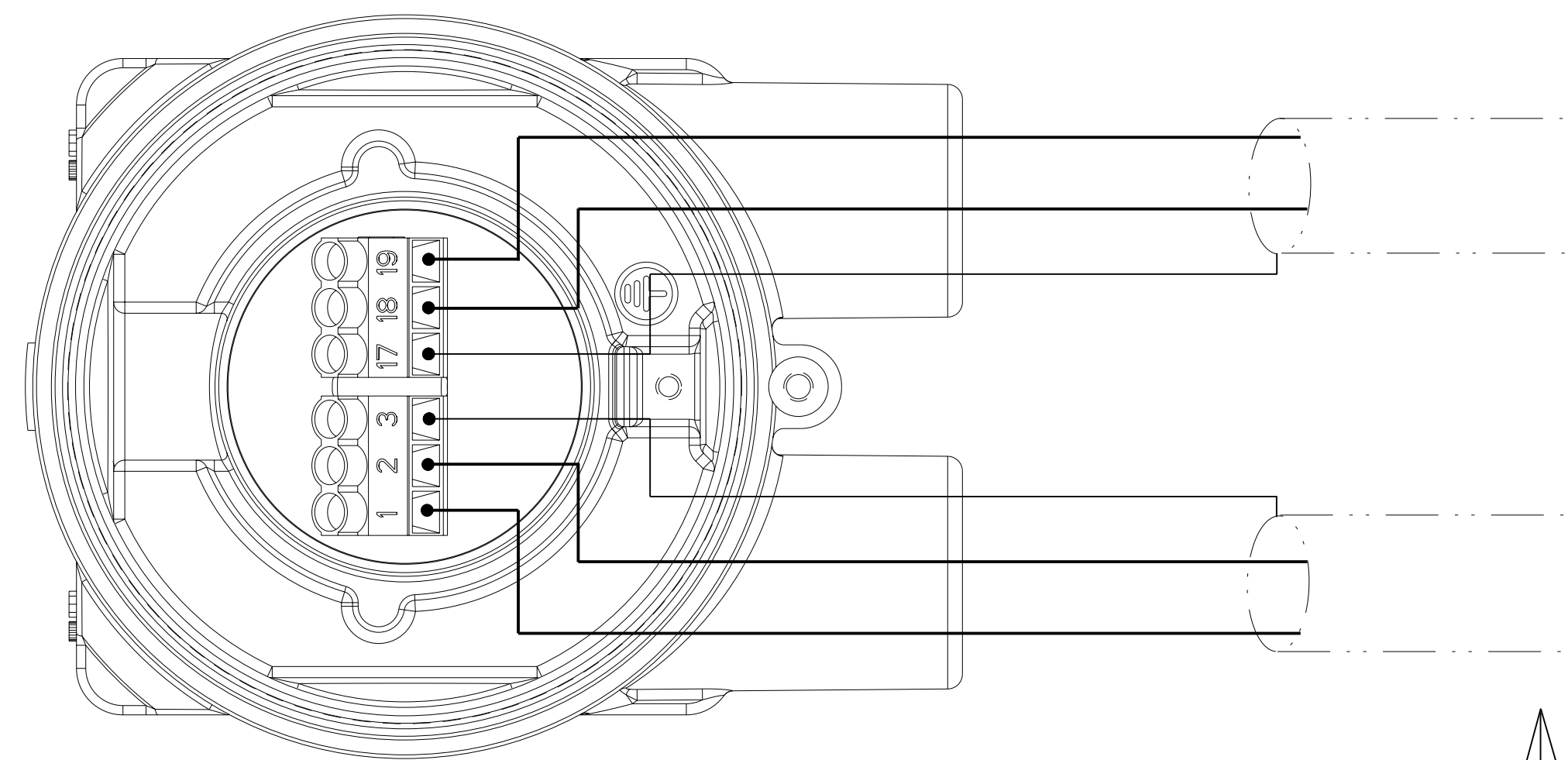
TYPICAL CONDUCTOR	INSULATOR	WIRE COLOR
ALPHA 2411C	ALPHA 2442C	ROSEMOUNT 08732-0753
19 CLEAR/WHITE	1 CLEAR/WHITE	19 WHITE
18 BLACK	2 BLACK	18 BLACK
17 DRAIN	3 DRAIN	17 DRAIN
-	-	1 RED
-	-	2 GREEN
-	-	3 DRAIN

CONFIDENTIAL AND PROPRIETARY INFORMATION IS CONTAINED HEREIN AND MUST BE HANDLED ACCORDINGLY. ROSEMOUNT	SURFACE FINISH UNLESS OTHERWISE SPECIFIED	125	3RD ANGLE	SIZE D	SCALE 1/1	REV AB
UNLESS OTHERWISE SPECIFIED DIMENSIONS IN INCHES (mm). REMOVE ALL BURRS AND SHARP EDGES.						
-DEC TOLERANCES-	TITLE INSTALLATION DRAWING, E-SERIES TRANSMITTER WIRING					
.X ± .1 (2.5)	DR. N. BOND 11/2/12 DRAWING NO. 08732-1503					
.XX ± .02 (0.5)	APP'D: MESSENGER 11/21/12					
.XXX ± .010 (0.25)	DO NOT SCALE PRINT CAD MAINTAINED, (PRO/E) PRODUCT CODE - DOC TYPE - SHEET 2 OF 4					
FRACTIONS ± 1/32	ANGLES ± 2°					

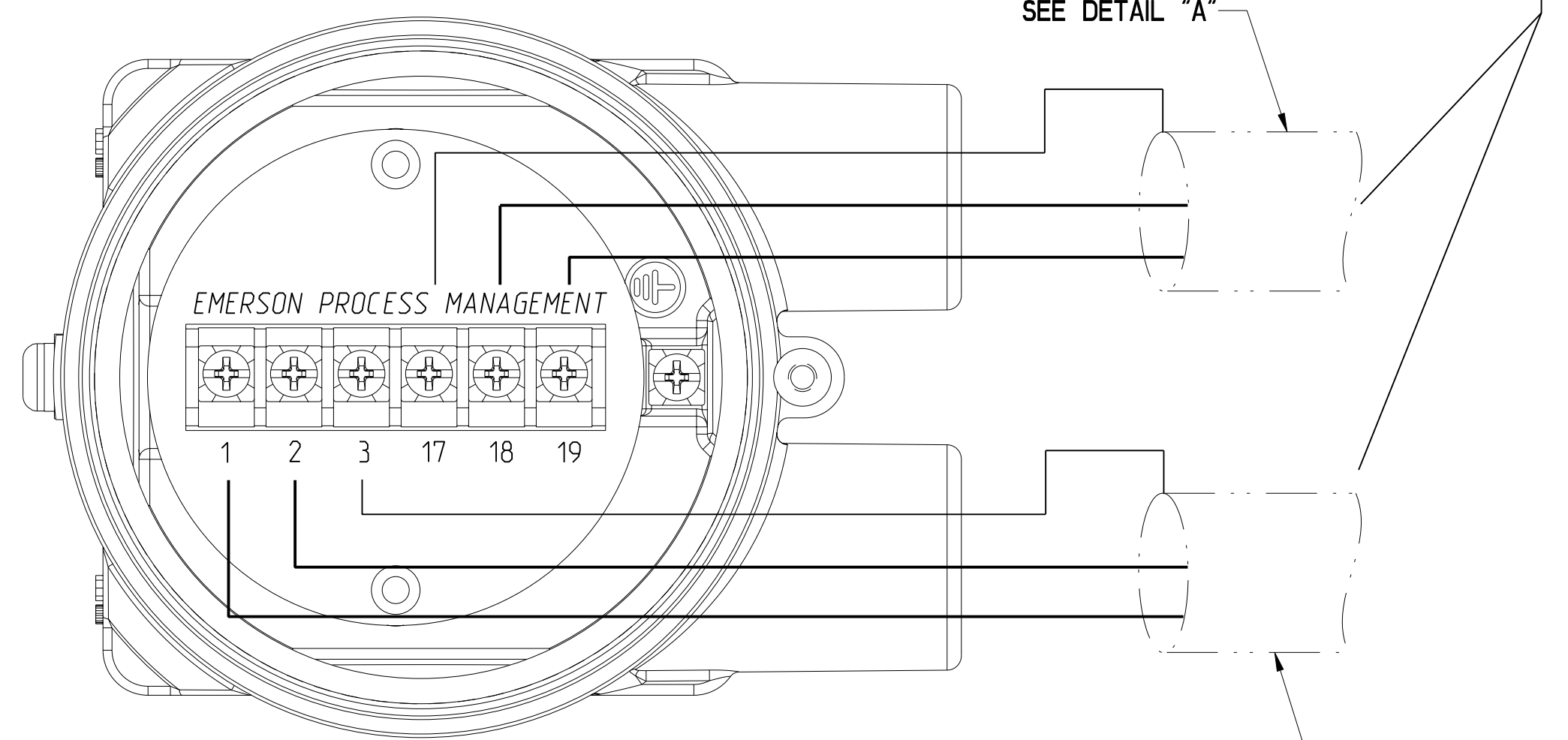
DRAWING NO. 08732-1503

THIS SHEET
FOR 8712E TRANSMITTER +
2411C AND 2442C COMPONENT CABLES

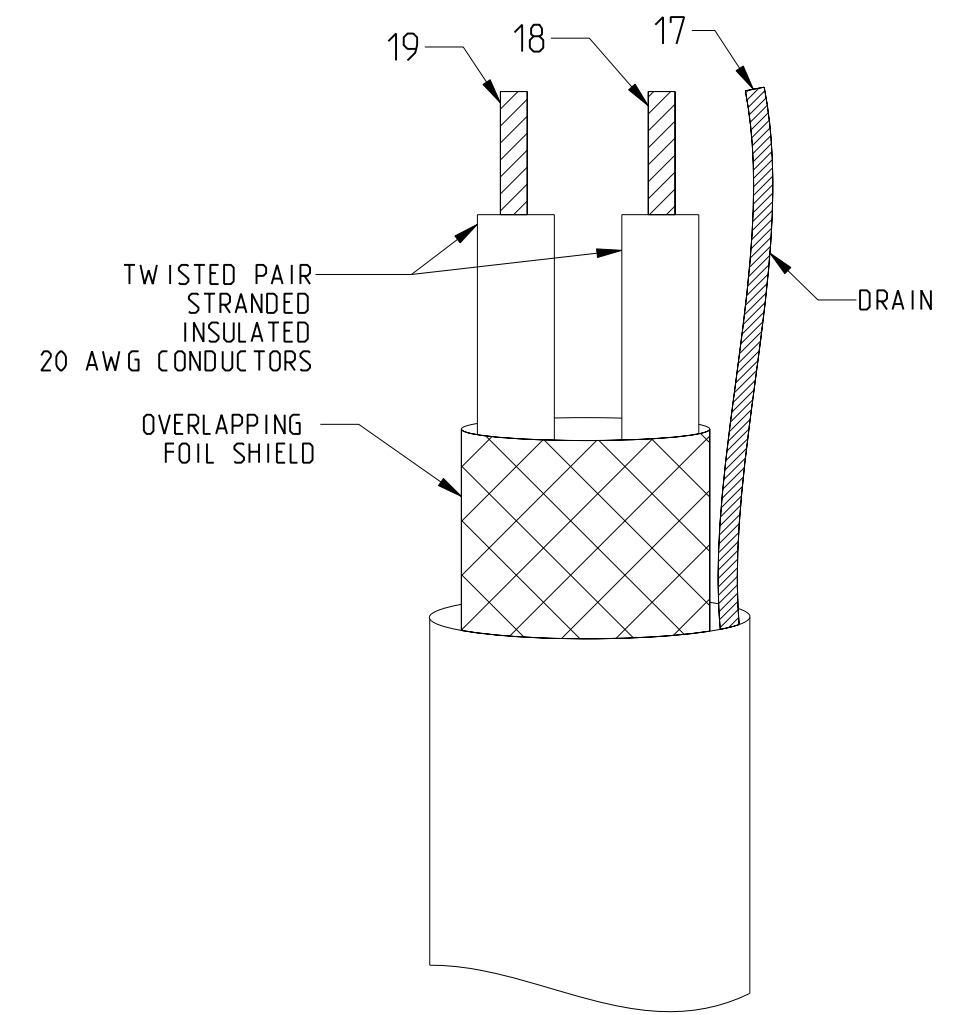
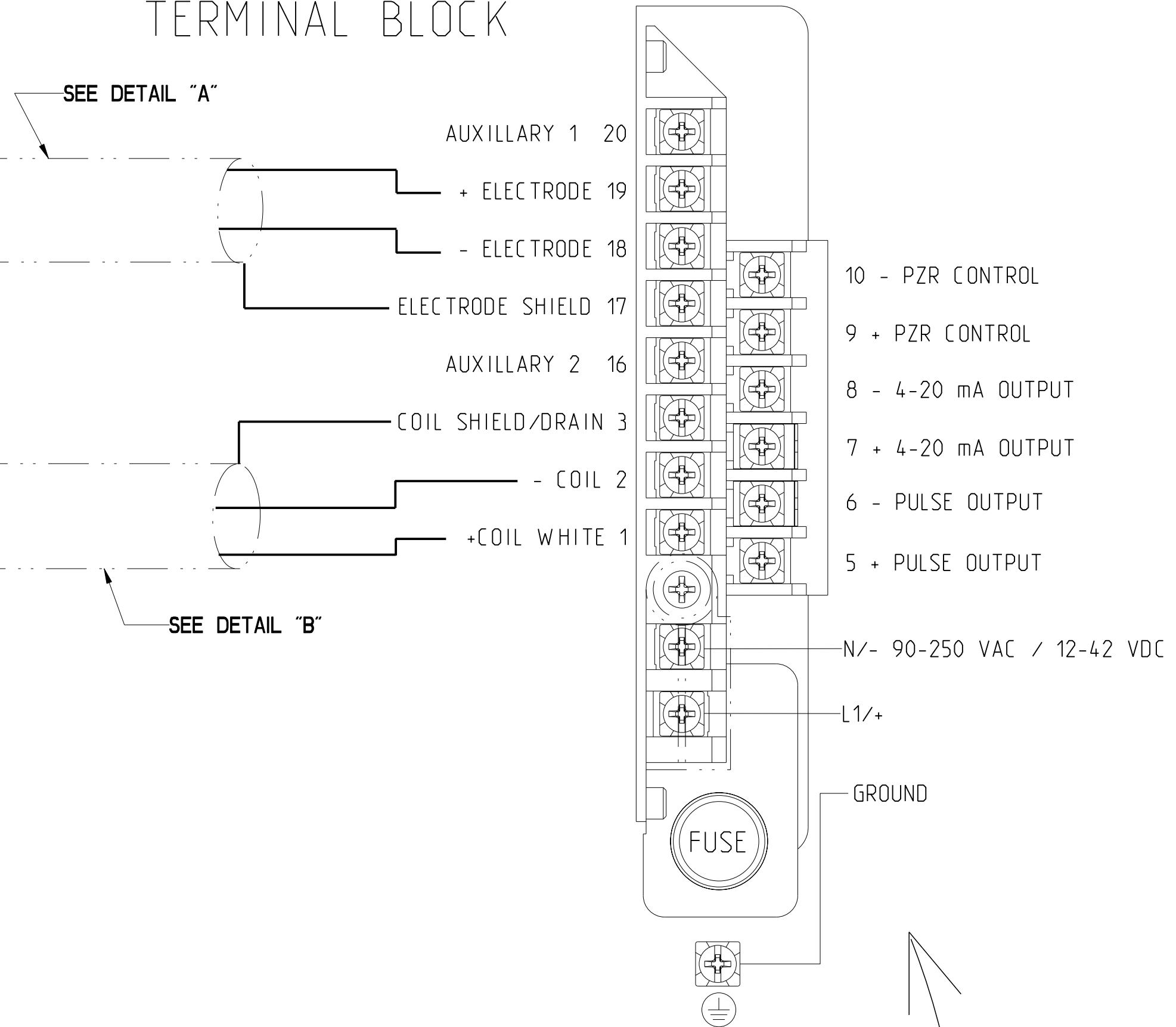
MODEL 8712E
TERMINAL BLOCK



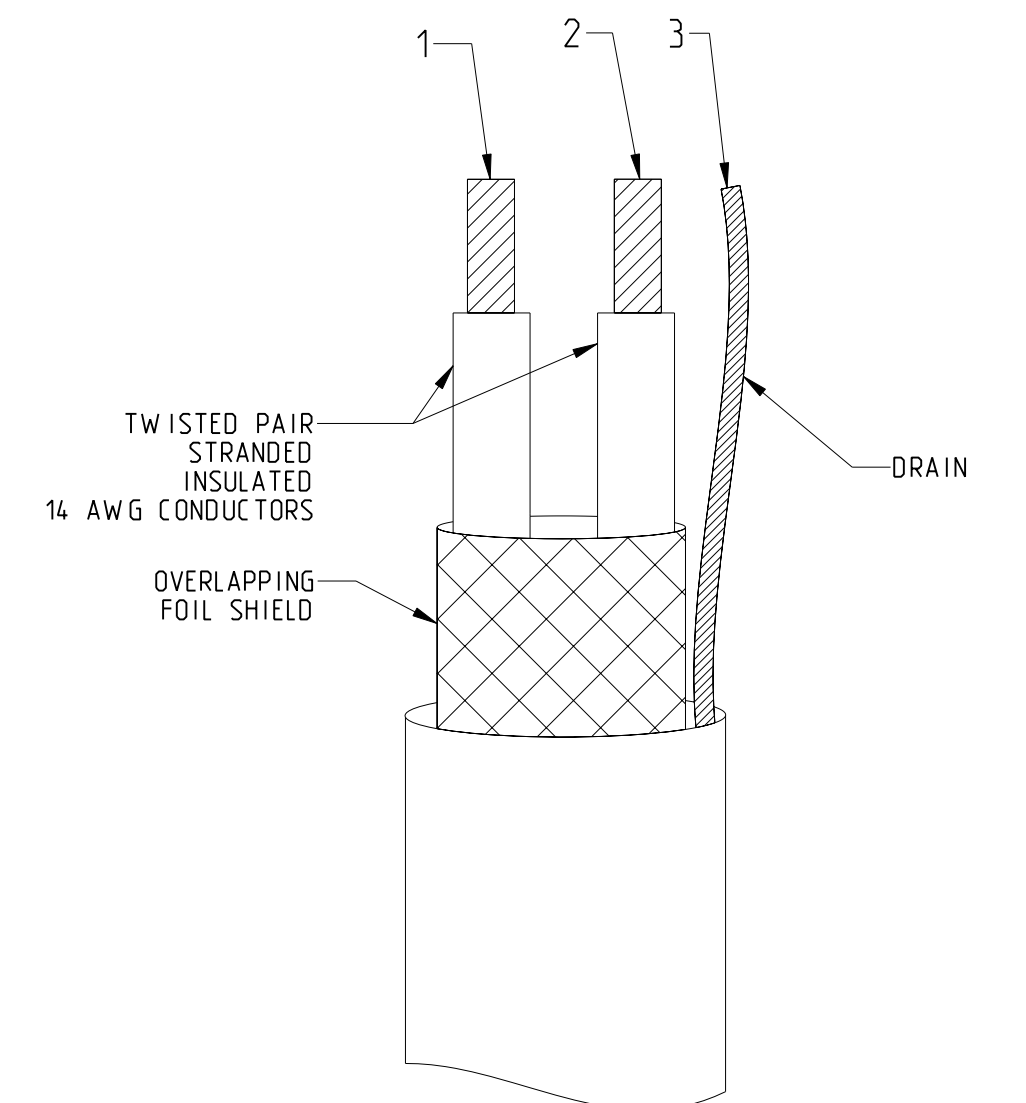
MODEL 8705-8711
FLOW TUBE



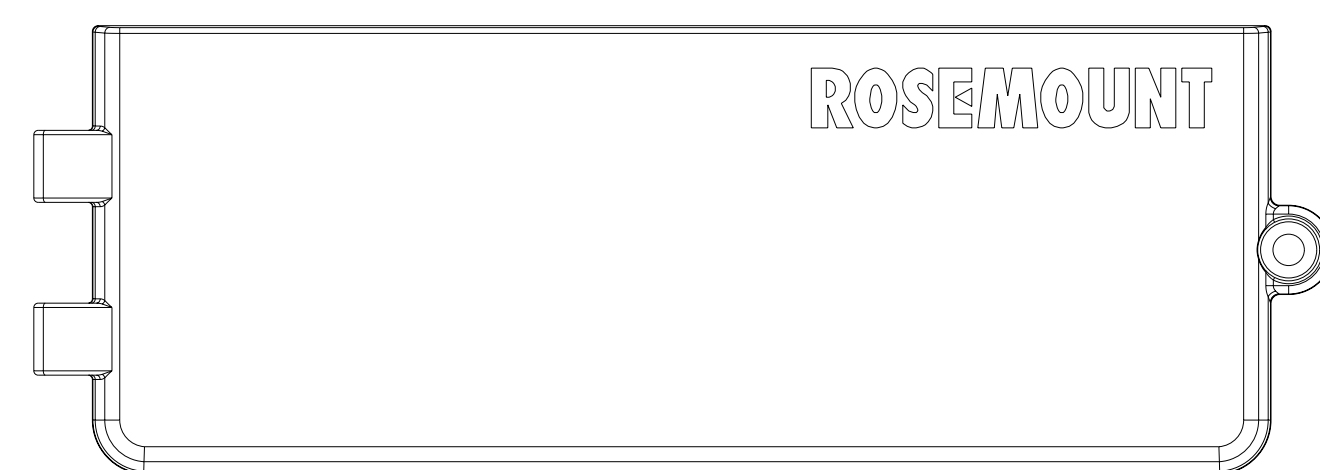
MODEL 8721
FLOW TUBE



DETAIL "A"
19 - (+) ELECTRODE
18 - (-) ELECTRODE
17 - ELECTRODE SHIELD/DRAIN
BELDEN 8762, ALPHA2411C OR EQUIVALENT



DETAIL "B"
1 - (+) COIL
2 - (-) COIL
3 - COIL SHIELD/DRAIN
BELDEN 8720, ALPHA 2442C OR EQUIVALENT



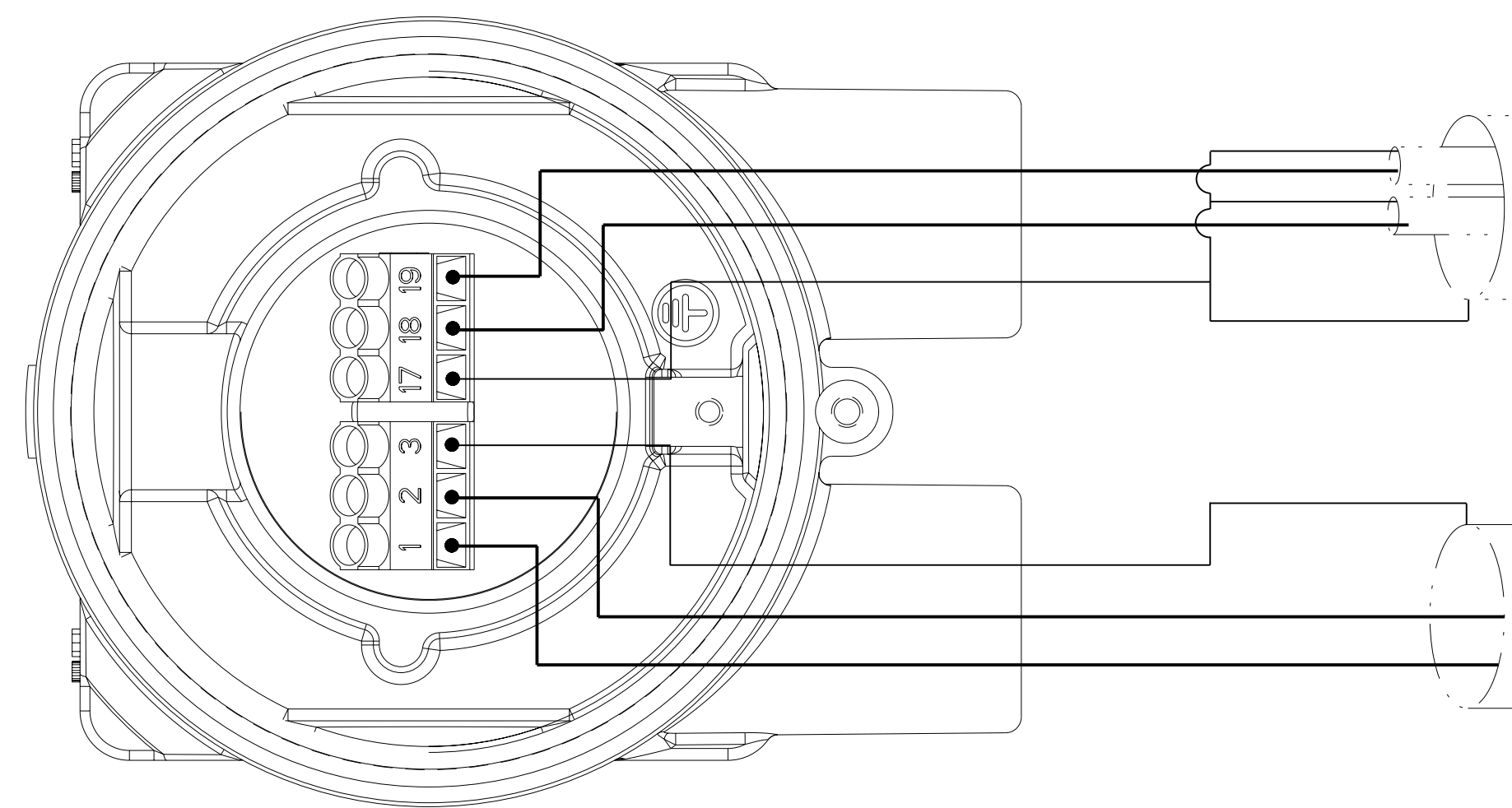
TYPICAL CONDUCTOR INSULATOR WIRE COLOR		
ALPHA 2411C	ALPHA 2442C	ROSEMOUNT 08732-0753
19 CLEAR/WHITE	1 CLEAR/WHITE	19 WHITE
18 BLACK	2 BLACK	18 BLACK
17 DRAIN	3 DRAIN	17 DRAIN
-	-	1 RED
-	-	2 GREEN
-	-	3 DRAIN

CONFIDENTIAL AND PROPRIETARY INFORMATION IS CONTAINED HEREIN AND MUST BE HANDLED ACCORDINGLY. ROSEMOUNT	SURFACE FINISH UNLESS OTHERWISE SPECIFIED 125 3RD ANGLE	SIZE D 1/1	REV AB
UNLESS OTHERWISE SPECIFIED DIMENSIONS IN INCHES (mm). REMOVE ALL BURRS AND SHARP EDGES.	ROSEMOUNT EMERSON Process Management 8200 Market Boulevard - Chanhassen, MN 55317 USA	TITLE INSTALLATION DRAWING, E-SERIES TRANSMITTER WIRING	
-DEC TOLERANCES- .X ± .1 (2.5) .XX ± .02 (0.51) .XXX ± .010 (0.25)	FRACCTIONS ± 1/32	ANGLES ± 2°	DR. N. BOND 11/2/12 DRAWING NO. 08732-1503
DO NOT SCALE PRINT	CAD MAINTAINED, (PRO/E)	PRODUCT CODE	- DOC TYPE - SHEET 3 OF 4

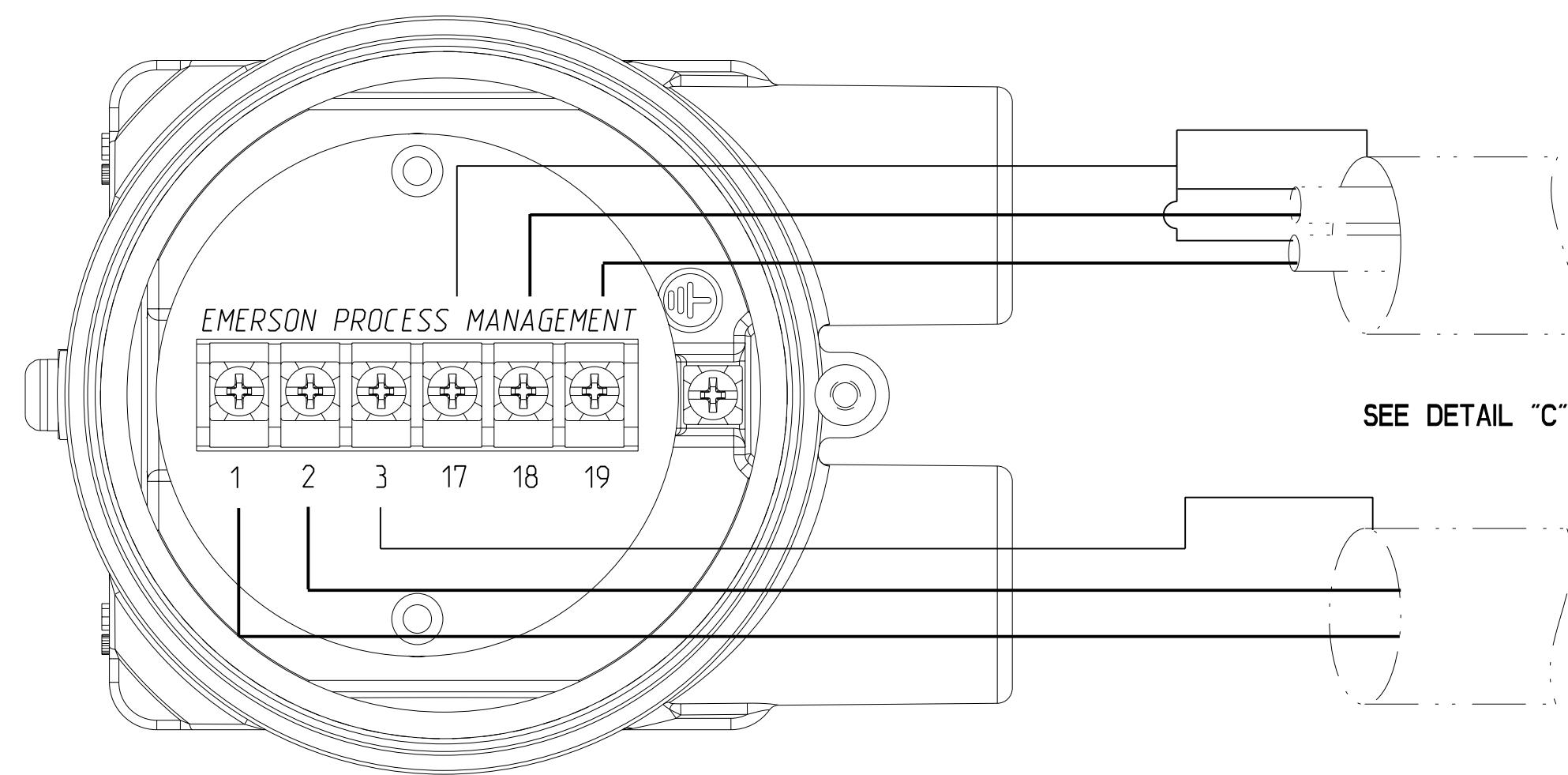
DRAWING NO. 08732-1503

THIS SHEET
FOR 8712E TRANSMITTER +
08732-0753 COMBO CABLE

MODEL 8712E
TERMINAL BLOCK



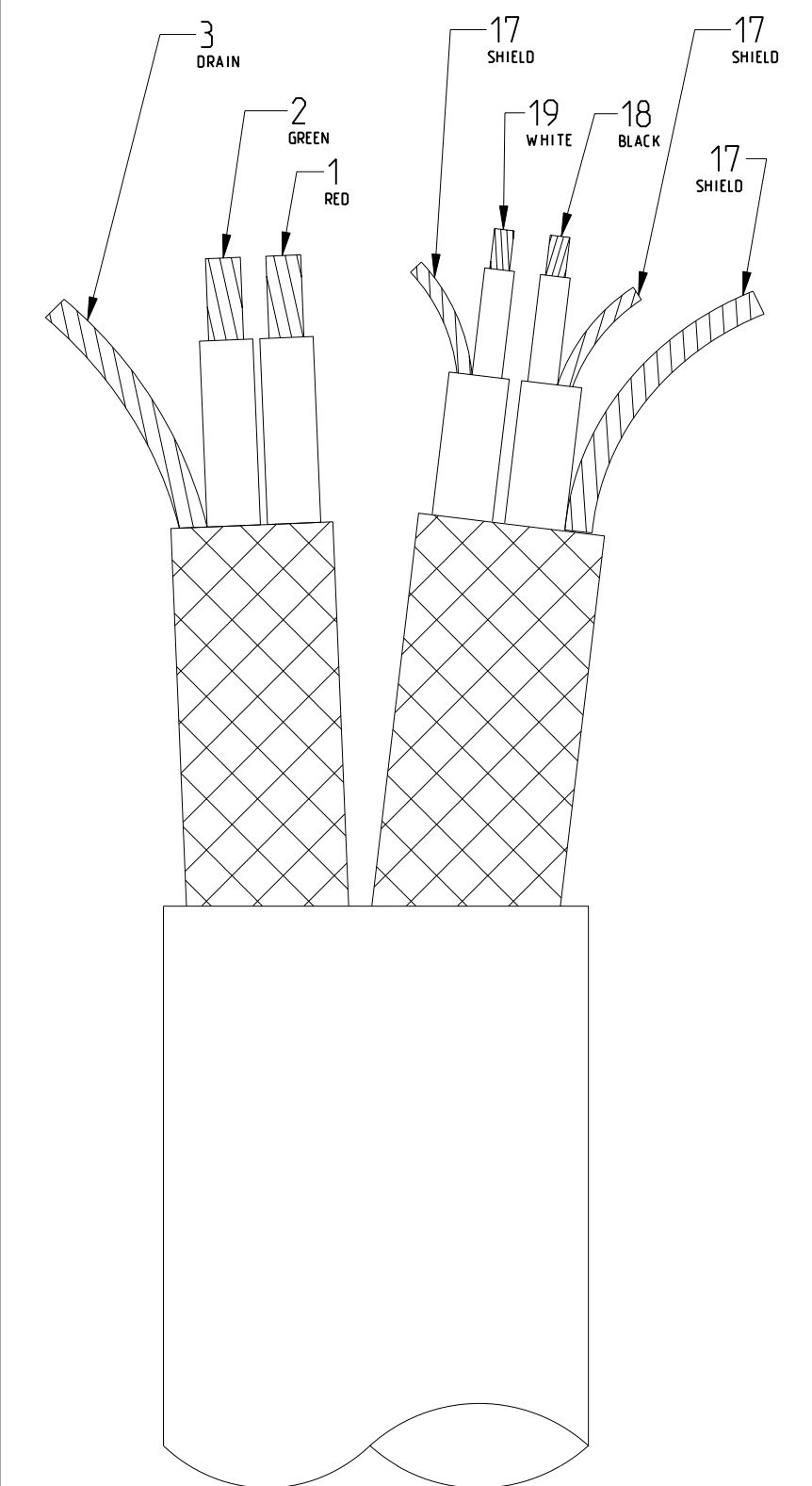
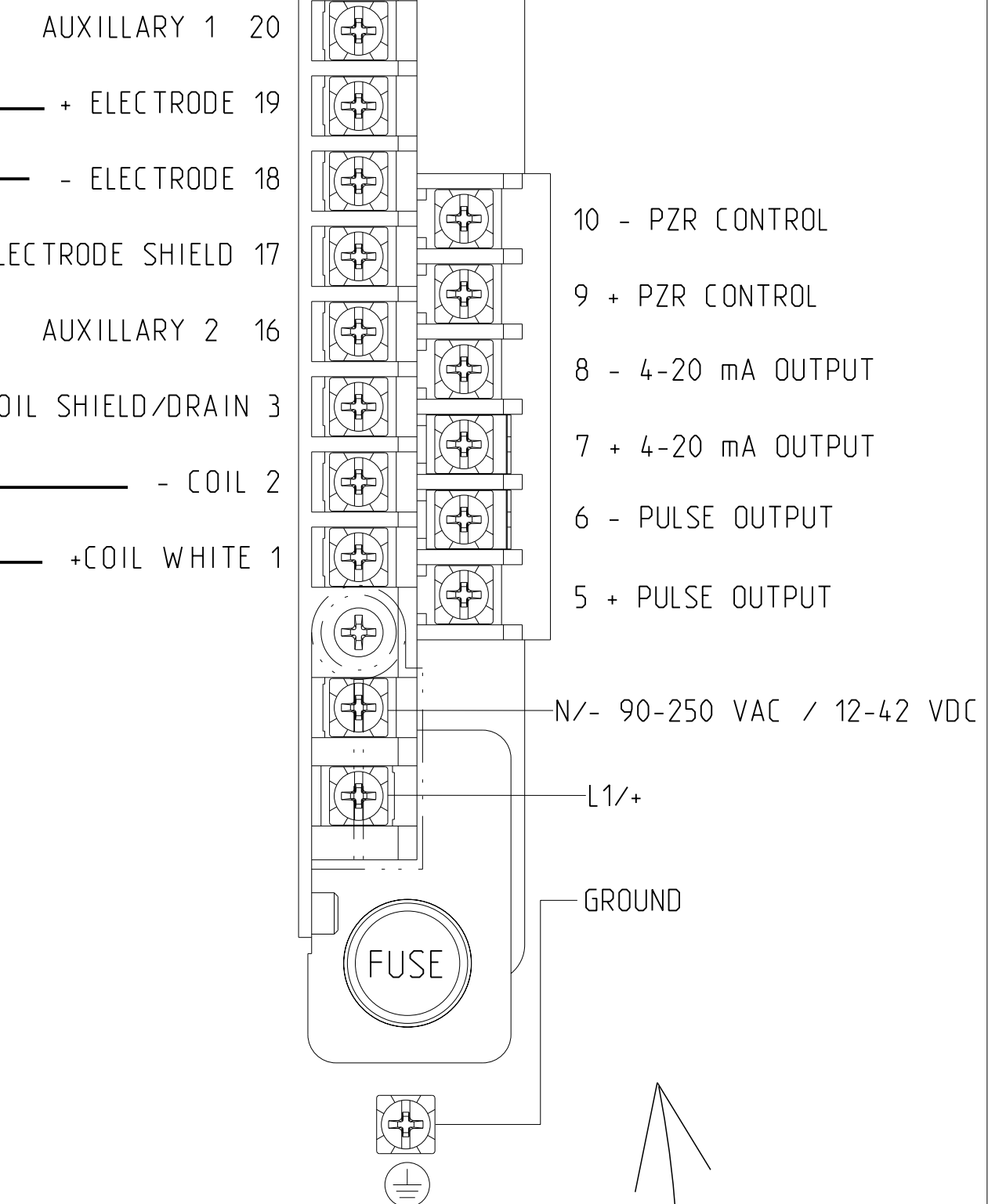
MODEL 8705-8711
FLOW TUBE



MODEL 8721
FLOW TUBE

SEE DETAIL "C"

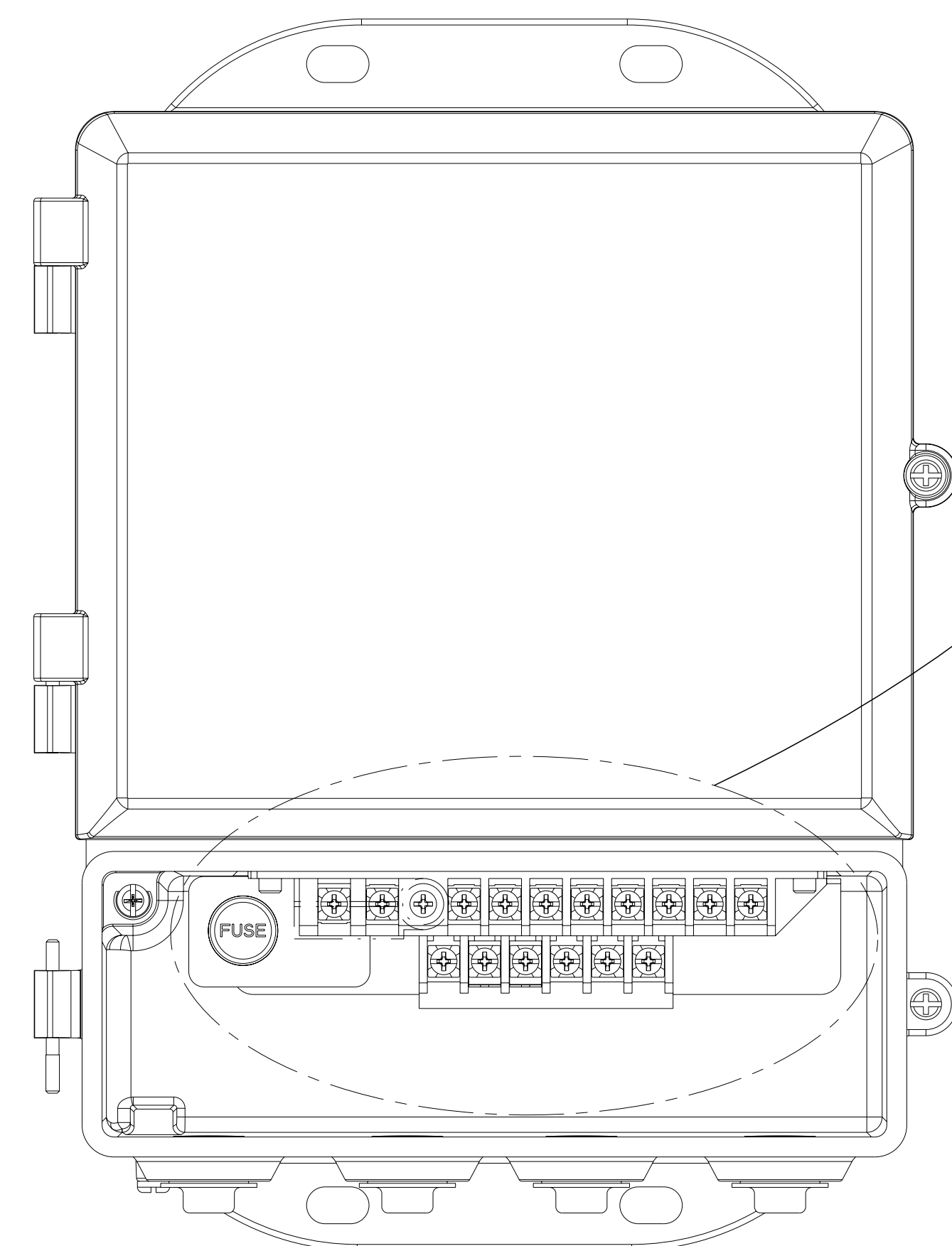
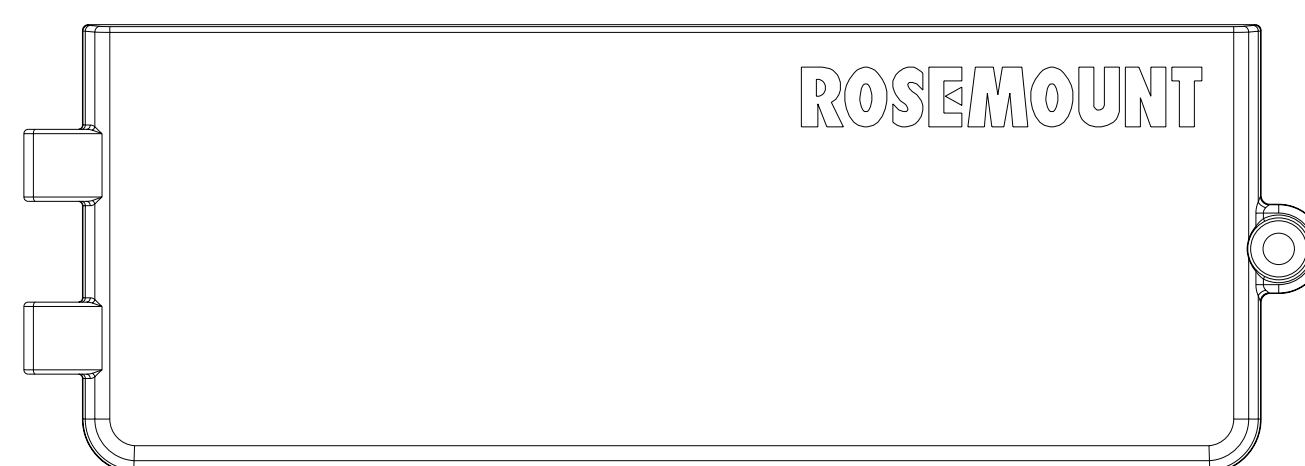
SEE DETAIL "C"



DETAIL "C"
HIGH PERFORMANCE
ELECTRICAL CABLE ASSEMBLY

ROSEMOUNT PART #
08732-0753-1003
-OR-
08732-0753-2004

19 - (+) ELECTRODE
18 - (-) ELECTRODE
17 - ELECTRODE SHIELD/DRAIN
1 - (+) COIL
2 - (-) COIL
3 - COIL SHIELD/DRAIN



TYPICAL CONDUCTOR	INSULATOR	WIRE COLOR
ALPHA 2411C	ALPHA 2442C	ROSEMOUNT 08732-0753
19 CLEAR/WHITE	1 CLEAR/WHITE	19 WHITE
18 BLACK	2 BLACK	18 BLACK
17 DRAIN	3 DRAIN	17 DRAIN
-	-	1 RED
-	-	2 GREEN
-	-	3 DRAIN

CONFIDENTIAL AND PROPRIETARY INFORMATION IS CONTAINED HEREIN AND MUST BE HANDLED ACCORDINGLY. ROSEMOUNT	SURFACE FINISH UNLESS OTHERWISE SPECIFIED	125	3RD ANGLE	SIZE D	SCALE 1/3	REV AB
UNLESS OTHERWISE SPECIFIED DIMENSIONS IN INCHES (mm). REMOVE ALL BURRS AND SHARP EDGES.	ROSEMOUNT Process Management 8200 Market Boulevard - Chanhassen, MN 55317 USA			TITLE		
-DEC TOLERANCES- .X ± .1 (2.5) .XX ± .02 (0.5) .XXX ± .010 (0.25)	DR. N. BOND 11/2/12 DRAWING NO. 08732-1503 APP'D: MESSENGER 11/21/12			INSTALLATION DRAWING, E-SERIES TRANSMITTER WIRING		
FRACTIONS ± 1/32	ANGLES ± 2°	DO NOT SCALE PRINT		CAD MAINTAINED, (PRO/E)	PRODUCT CODE	- DOC TYPE - SHEET 4 OF 4

DRAWING NO. 08732-1503